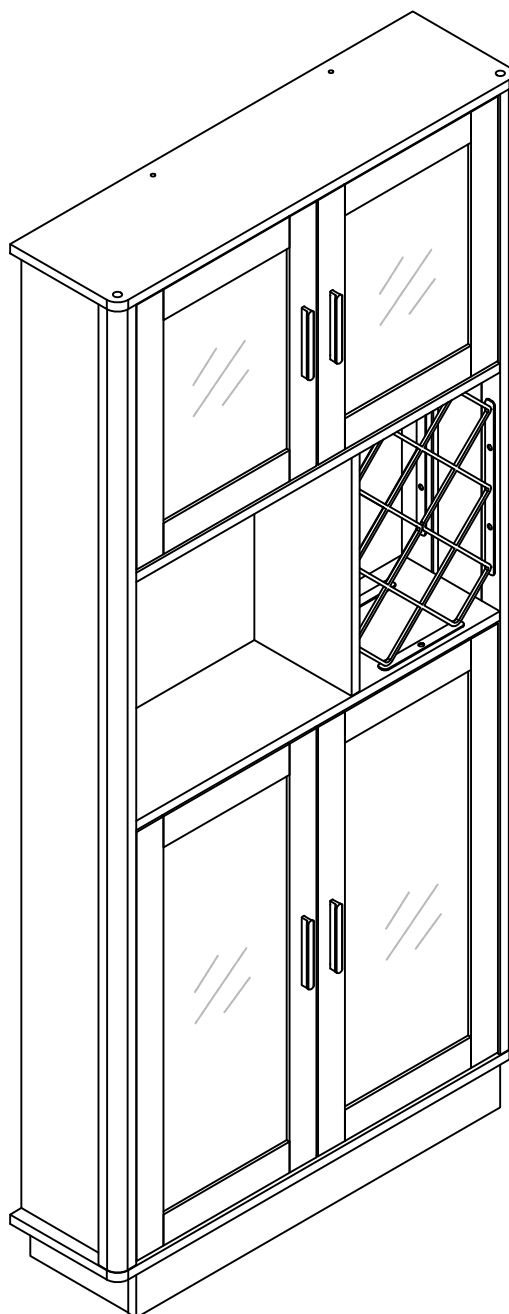


# Bar Cabinet WF320363AAK

Assembly Instructions - Please keep for future reference



Important – Please read these instructions fully before starting assembly

# Safety and Care Advice

**Important – Please read these instructions fully before starting assembly**

- Check you have all the components and tools listed on the following pages.
- Remove all fittings from the plastic bags and separate them
- Keep children and pets away from the installation area, which may cause choking if small parts are swallowed.
- Make sure you have enough space to layout the parts before

- Do not stand or apply weight to the product during assembly. This may cause damage.
- Assemble the item as close to its final position (in the same room) as possible.
- Assemble on a soft level surface to avoid damage to the unit or floor.
- It's easier for two people to assemble the parts together.



- To reduce the likelihood of damage to your product, make sure your power drill is set to a low torque setting.

## Care and maintenance

- Only clean using a damp cloth and mild detergent, do not use bleach or abrasive cleaners.
- Check for loose screws on this unit from time to time.
- This product should not be discarded with household waste. Take to your local authority waste disposal centre.

## Handy Hints

- Assemble all parts and bolts loosely during assembly, only once the product is complete should you fully tighten the bolts
- Regularly check and ensure that all bolts and fittings are correctly tightened.

## **WARNING** In order to help prevent overturning – please follow these instructions

To help prevent product toppling over please follow the below steps:-

Use the anti tip strap or wall fixing method provided (if applicable)  
Do not allow children to climb or hang on the furniture  
Do not open more than one drawer at a time  
Do not place heavy items in the top drawers  
Do not place heavy items on top of the furniture, unless the furniture has been designed for this purpose

please note that only the anti tip strap is provided.

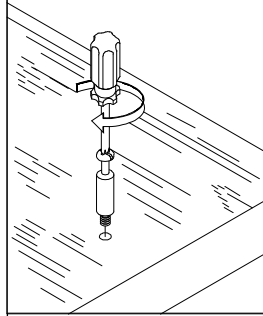
You will need to provide wall plugs and screws applicable for your wall type

# Using Camlocks

## Step 1

Connect the male camlock as directed in the assembly instructions using a screwdriver.

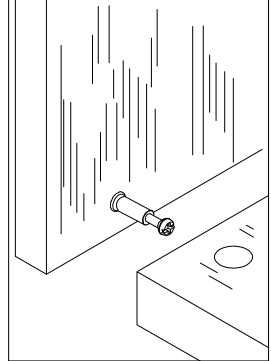
1 DO NOT OVER TIGHTEN.



## Step 2

Push the male camlock into the entry hole.

2

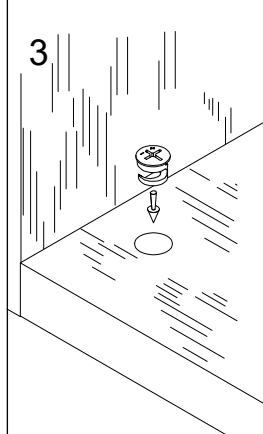


## Step 3

Insert the female camlock as shown in the instruction.

Note: ensure that the arrow on the top of the camlock points towards the entry hole for the male camlock.

3



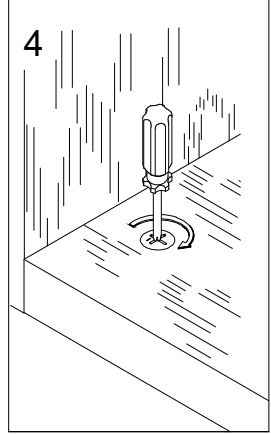
## Step 4

Turn the female camlock clockwise with a screwdriver.

You should feel a click when the camlock is locked in place.

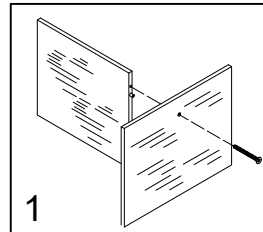
The joint is now secure.

4



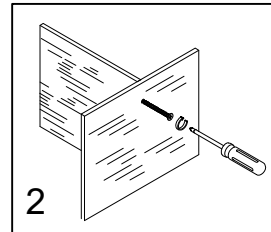
## Step 1

1

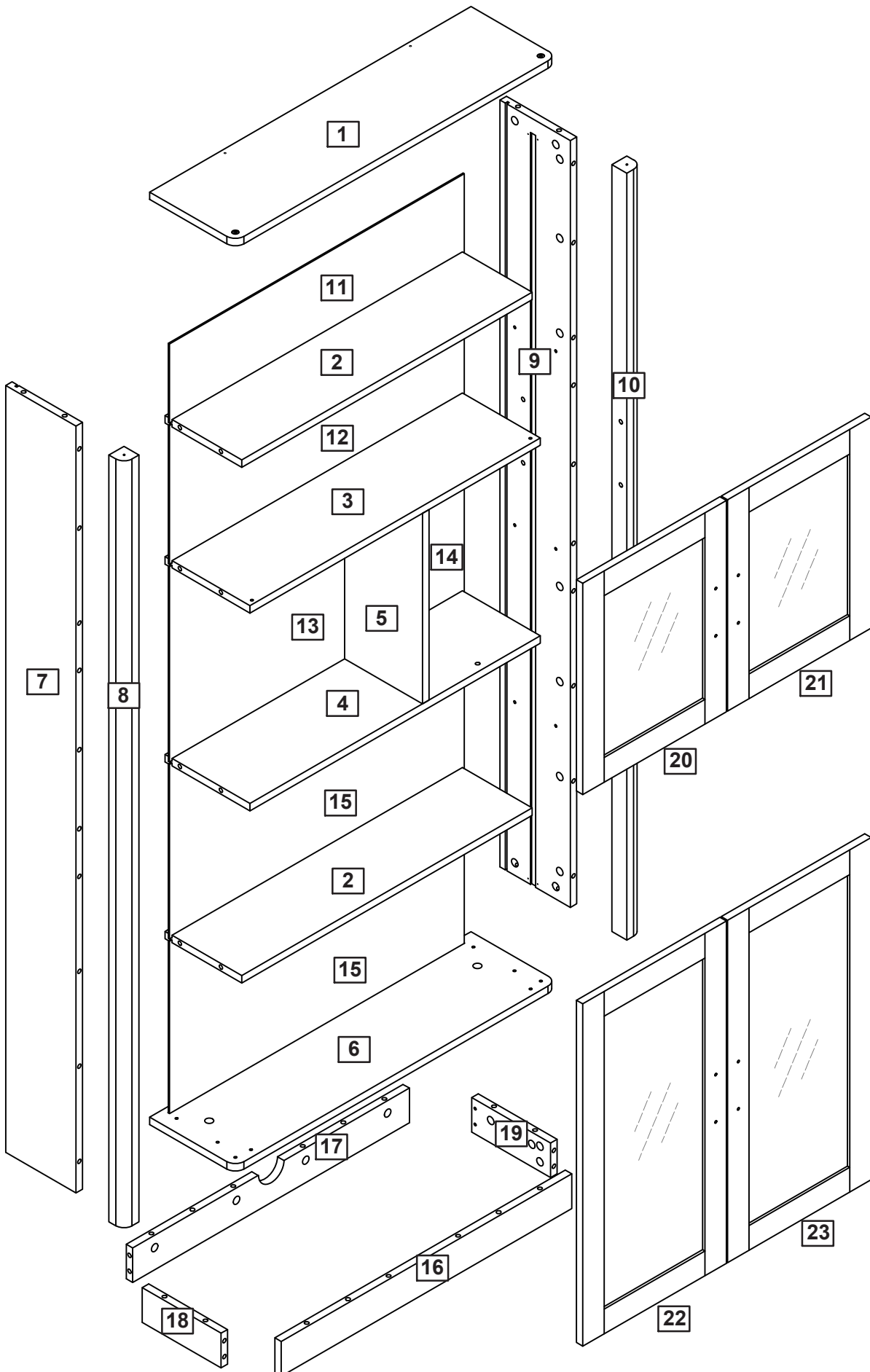


## Step 2

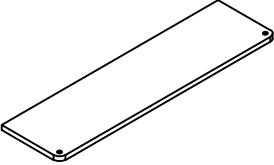
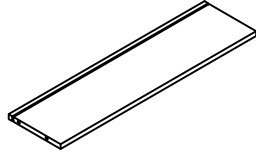
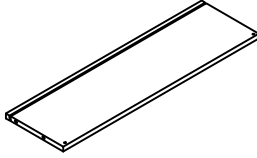
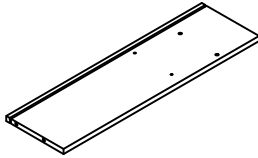
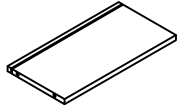
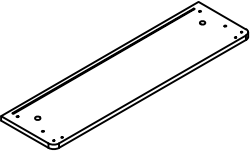
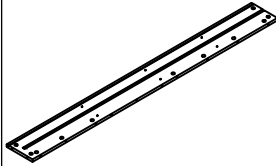
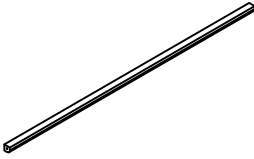
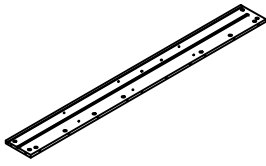

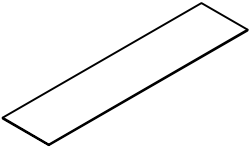
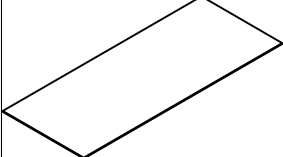
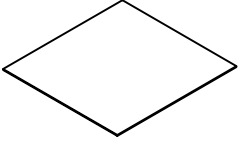
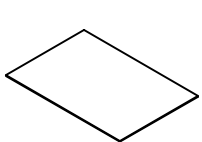
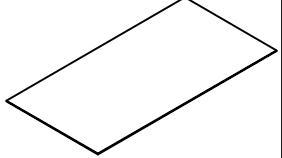
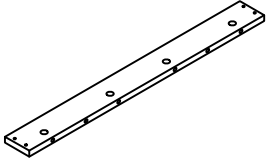
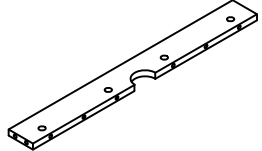
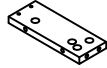
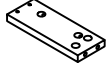
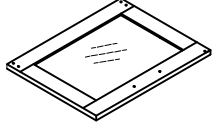
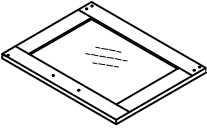
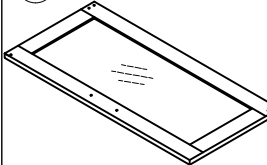
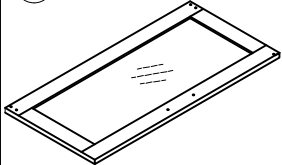
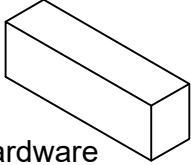
2



# Assembly Instructions



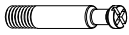

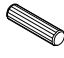

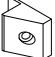



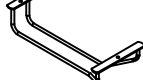



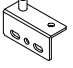
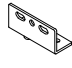
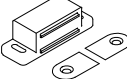



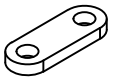
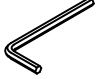

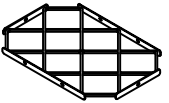
# Part List: WF320363AAK

<p>①</p>  <p>1 PCS</p>	<p>②</p>  <p>2 PCS</p>	<p>③</p>  <p>1 PCS</p>	<p>④</p>  <p>1 PCS</p>	<p>⑤</p>  <p>1 PCS</p>
<p>⑥</p>  <p>1 PCS</p>	<p>⑦</p>  <p>1 PCS</p>	<p>⑧</p>  <p>1 PCS</p>	<p>⑨</p>  <p>1 PCS</p>	<p>⑩</p>  <p>1 PCS</p>
<p>⑪</p>  <p>1 PCS</p>	<p>⑫</p>  <p>1 PCS</p>	<p>⑬</p>  <p>1 PCS</p>	<p>⑭</p>  <p>1 PCS</p>	<p>⑮</p>  <p>2 PCS</p>
<p>⑯</p>  <p>1 PCS</p>	<p>⑰</p>  <p>1 PCS</p>	<p>⑱</p>  <p>1 PCS</p>	<p>⑲</p>  <p>1 PCS</p>	<p>⑳</p>  <p>1 PCS</p>
<p>㉑</p>  <p>1 PCS</p>	<p>㉒</p>  <p>1 PCS</p>	<p>㉓</p>  <p>1 PCS</p>	<p>㉔</p>  <p>Hardware</p> <p>1 PCS</p>	

# Hardware list: WF320363AAK

Please check you have all the panels listed below

**Note:** The quantitie below are the correct amount to complete the assembly. In some cases more fittings may be supplied than are required.

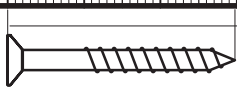
<b>A</b>  Male Camlock x 62	<b>B</b>  Female Camlock x 62	<b>C</b>  Dowel (8x30) x 10
<b>D</b>  3*16mm Screw x 32	<b>E</b>  Plasticwedge x 32	<b>F</b>  5*45mm Screw x 4
<b>G</b>  6*12mm Screw x 12	<b>H</b>  Handle & Fixings x 4	<b>I</b>  Cup holder x 1
<b>J</b>  4*14mm Screw x 2	<b>K</b>  3.5*14mm Screw x 16	<b>L</b>  Plastic pivot x 8
<b>M</b>  Door Hinge x 4	<b>N</b>  Door Hinge x 4	<b>O</b>  Magnet Touch x 2
<b>P</b>  3*14mm Screw x 16	<b>Q</b>  Wall Fixing Pack x 2	<b>R</b>  Light Strip x 1
<b>S</b>  Wire Holder x 4	<b>T</b>  Hex Key M4 x 1	<b>U</b>  Ø20 Sticker x 26
<b>V</b>  Metal Wine Rack x 2		



Phillips screwdriver  
(medium & large)

Ruler - Use this ruler to help correctly identify the screws

0 5 10 15 20 25 30 35 40 45 50 55 60 65 70 75 80 85 90 95 100 105 110 115 120 125 130 135 140 145 150 155 160 165 170



The screws length is measured from the head to the point (30mm screw shown).

# Assembly Instructions

## Step 1

A

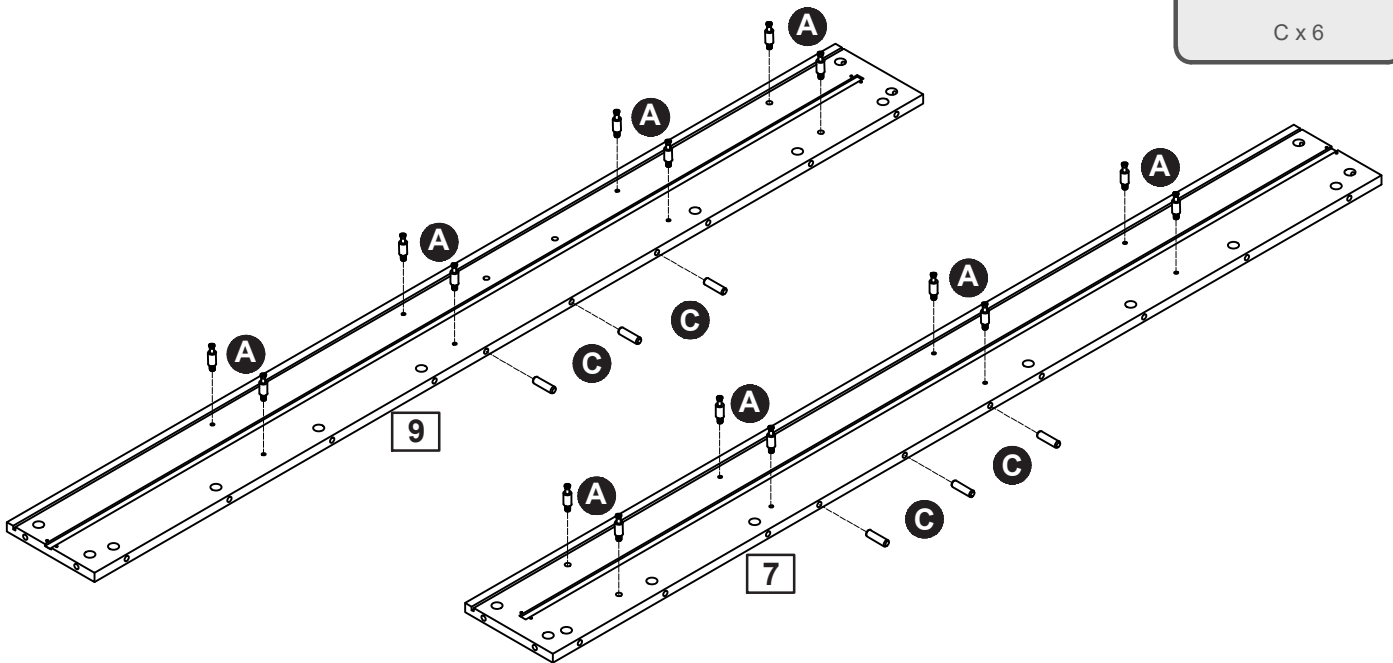


A x 16

C



C x 6

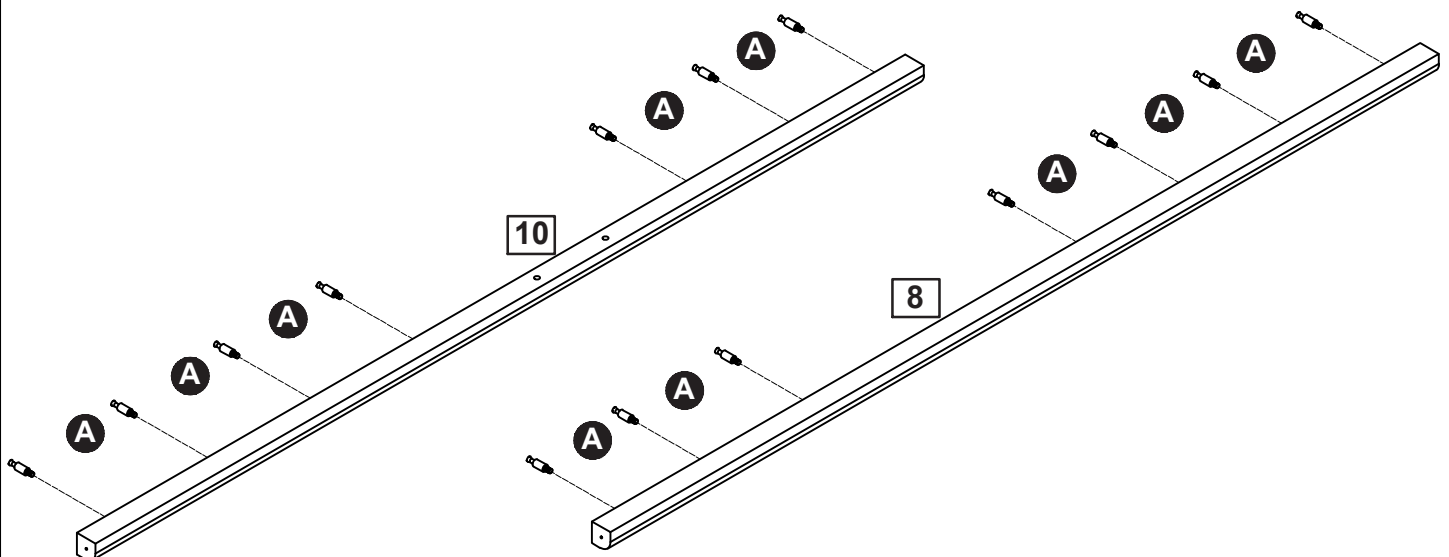


## Step 2

A

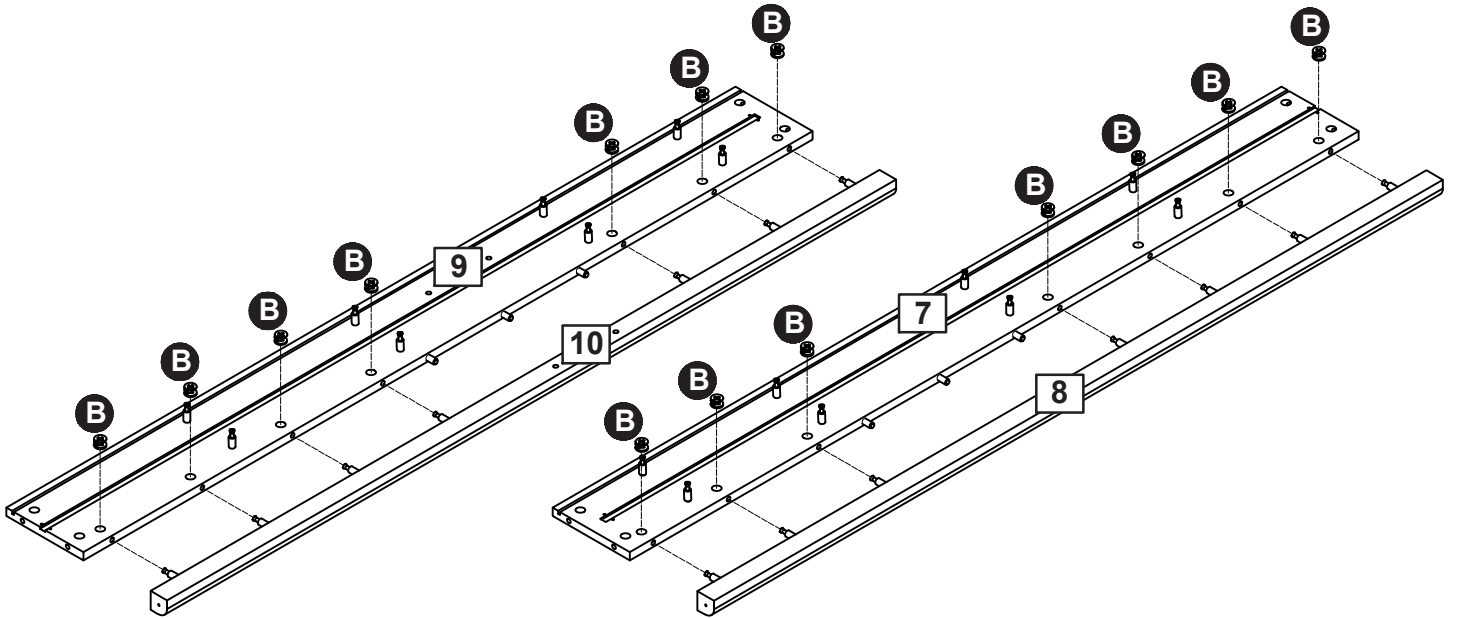
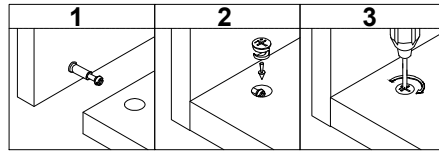


A x 14

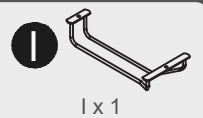
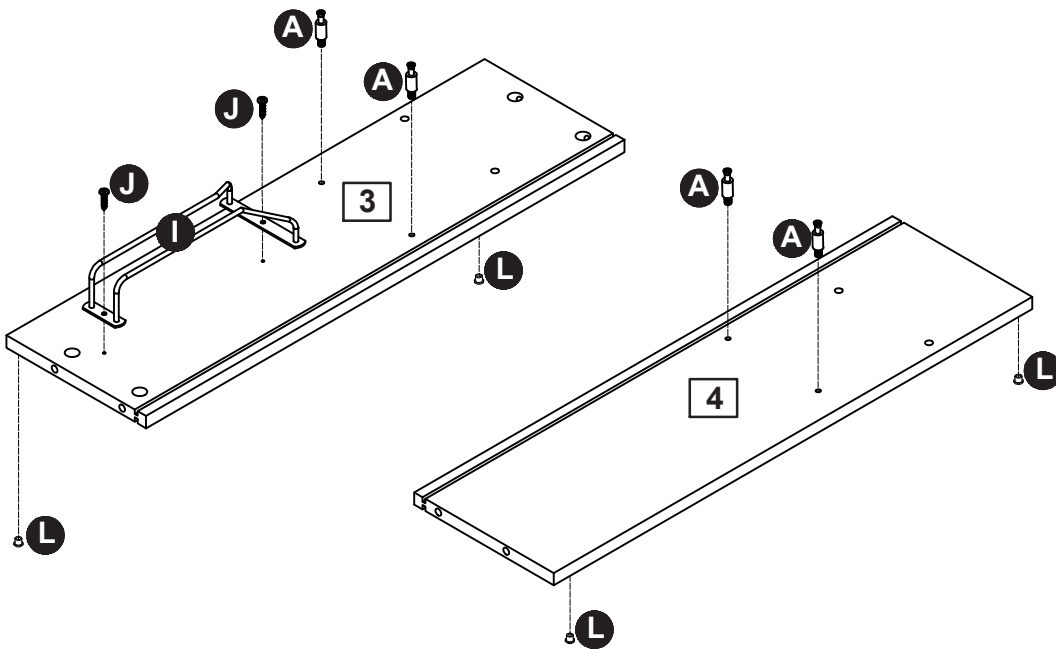


# Assembly Instructions

## Step 3



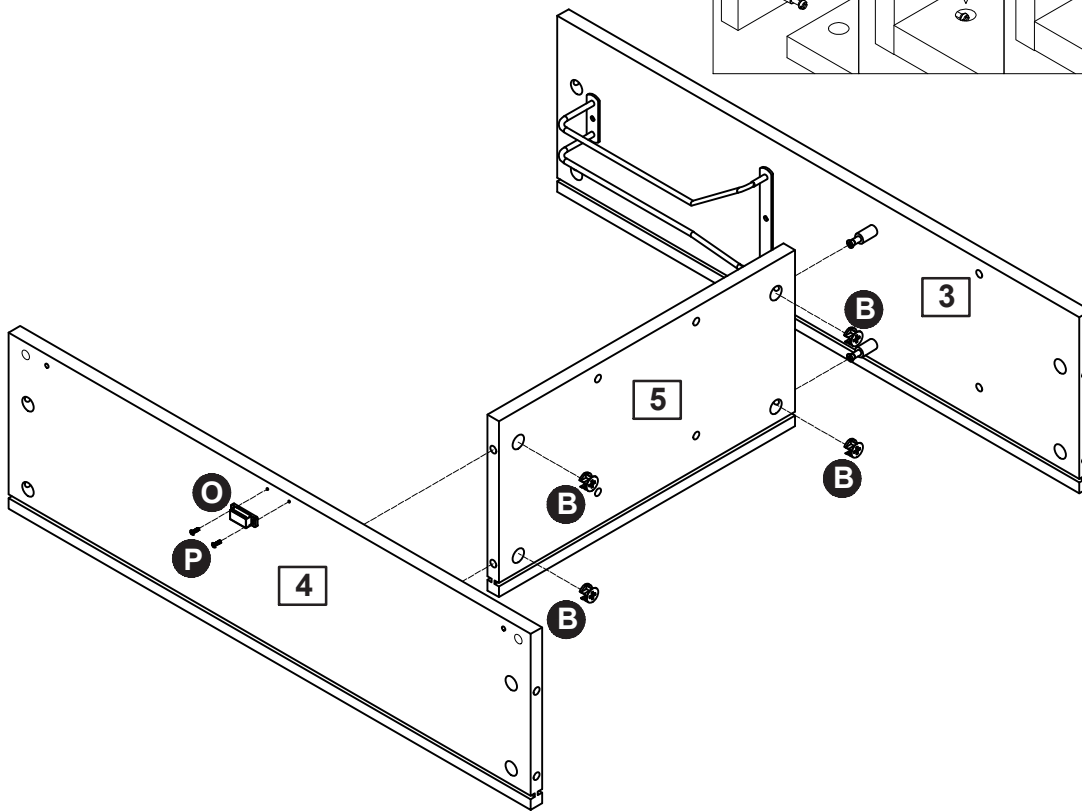
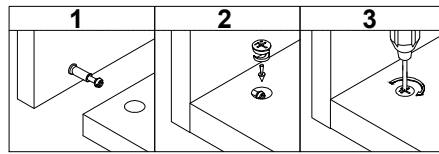
## Step 4





# Assembly Instructions

## Step 5



B x 4

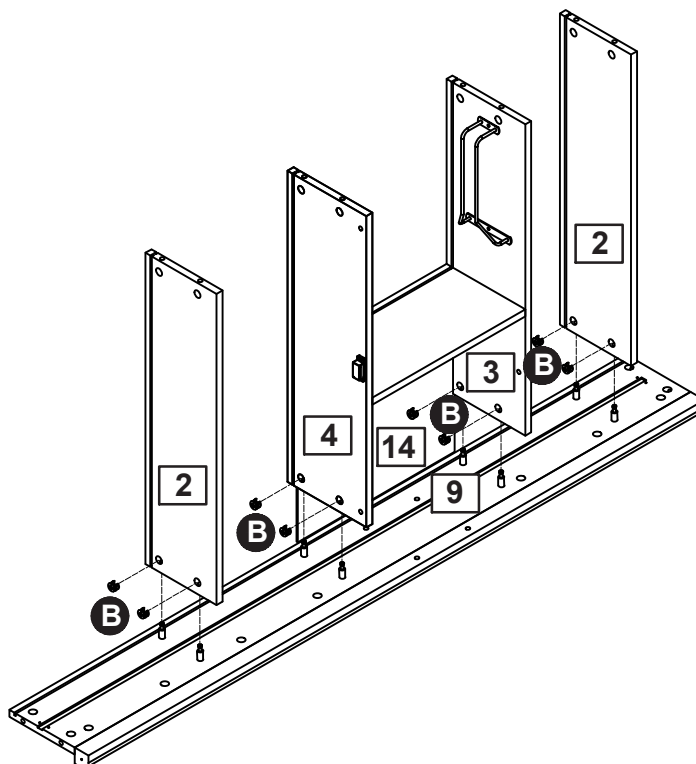
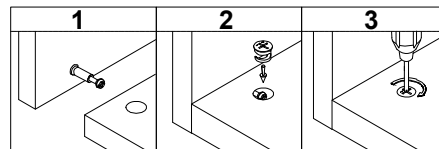


O x 1



P x 2

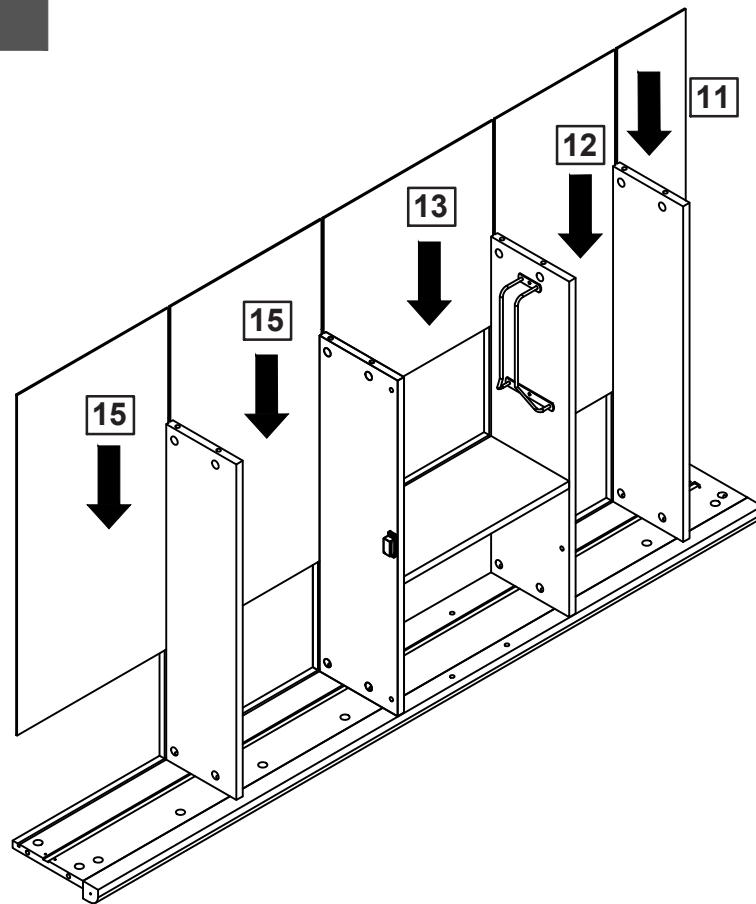
## Step 6



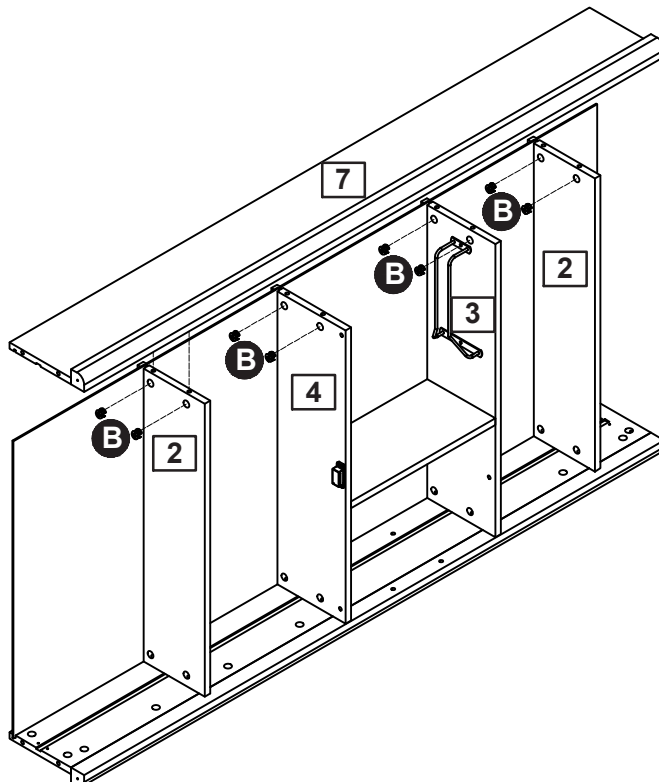
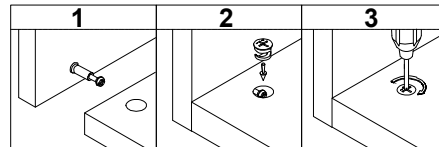
B x 8

# Assembly Instructions

## Step 7

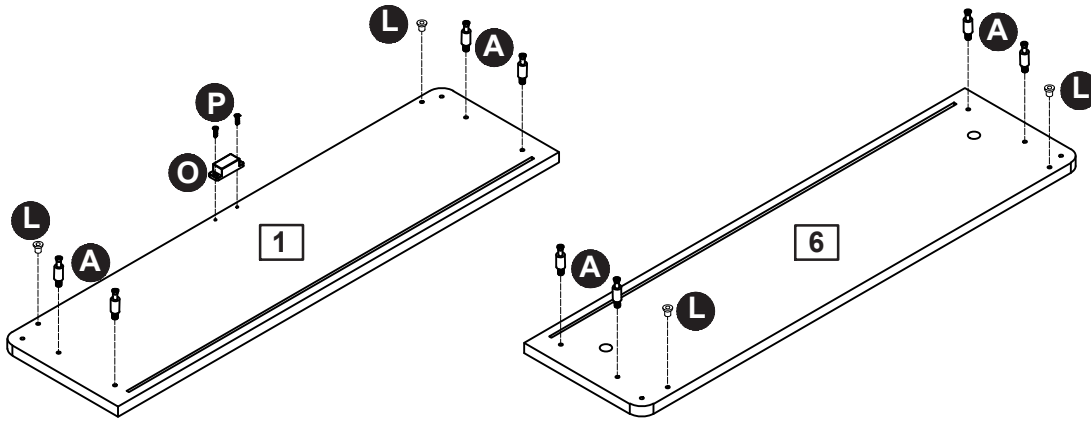


## Step 8



# Assembly Instructions

## Step 9



**A**



A x 8

**O**



O x 1

**P**



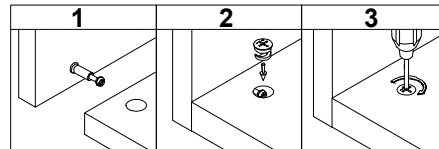
P x 2

**L**



L x 4

## Step 10



**B**

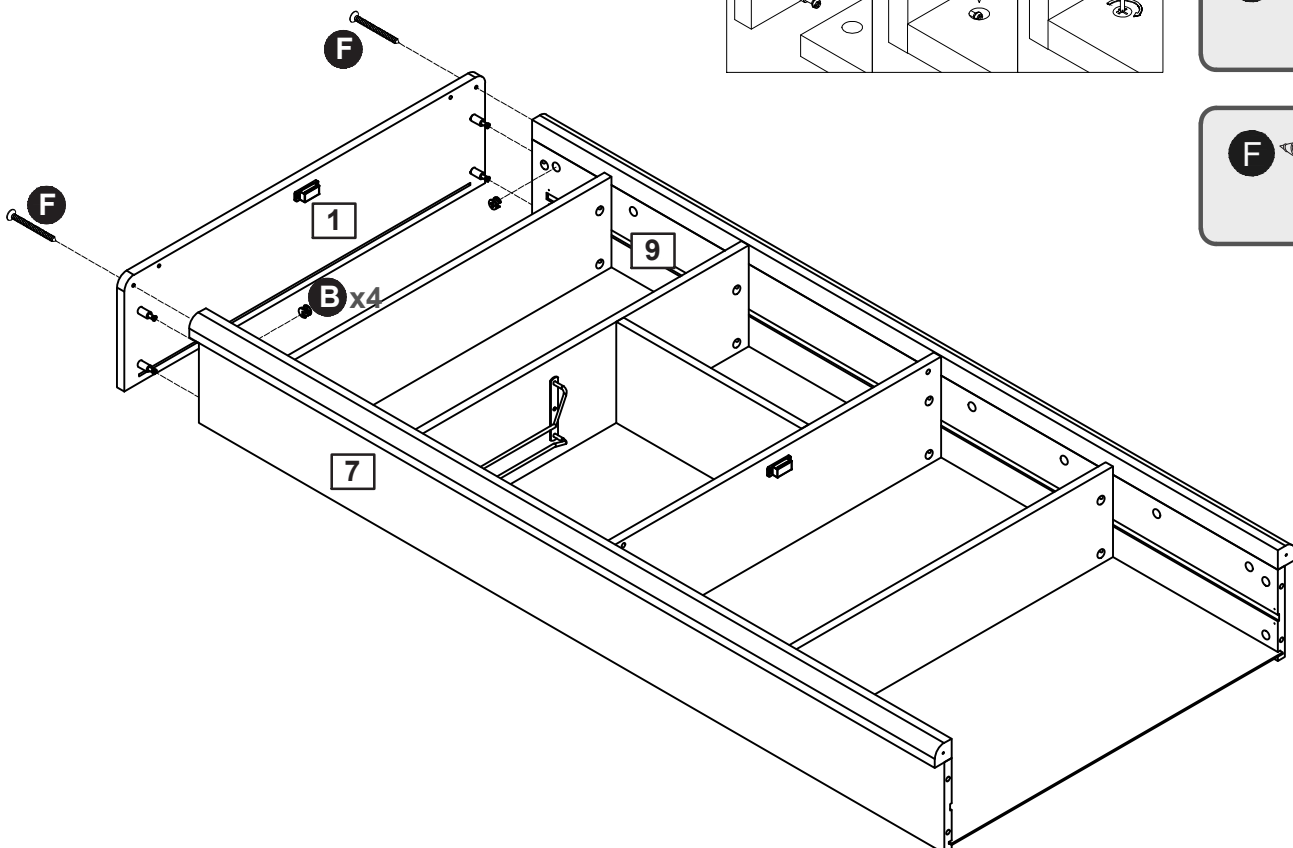


B x 4

**F**

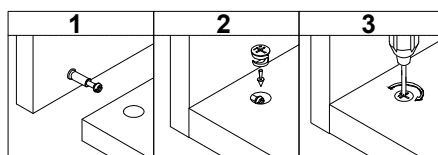


F x 2



# Assembly Instructions

## Step 11



**B**

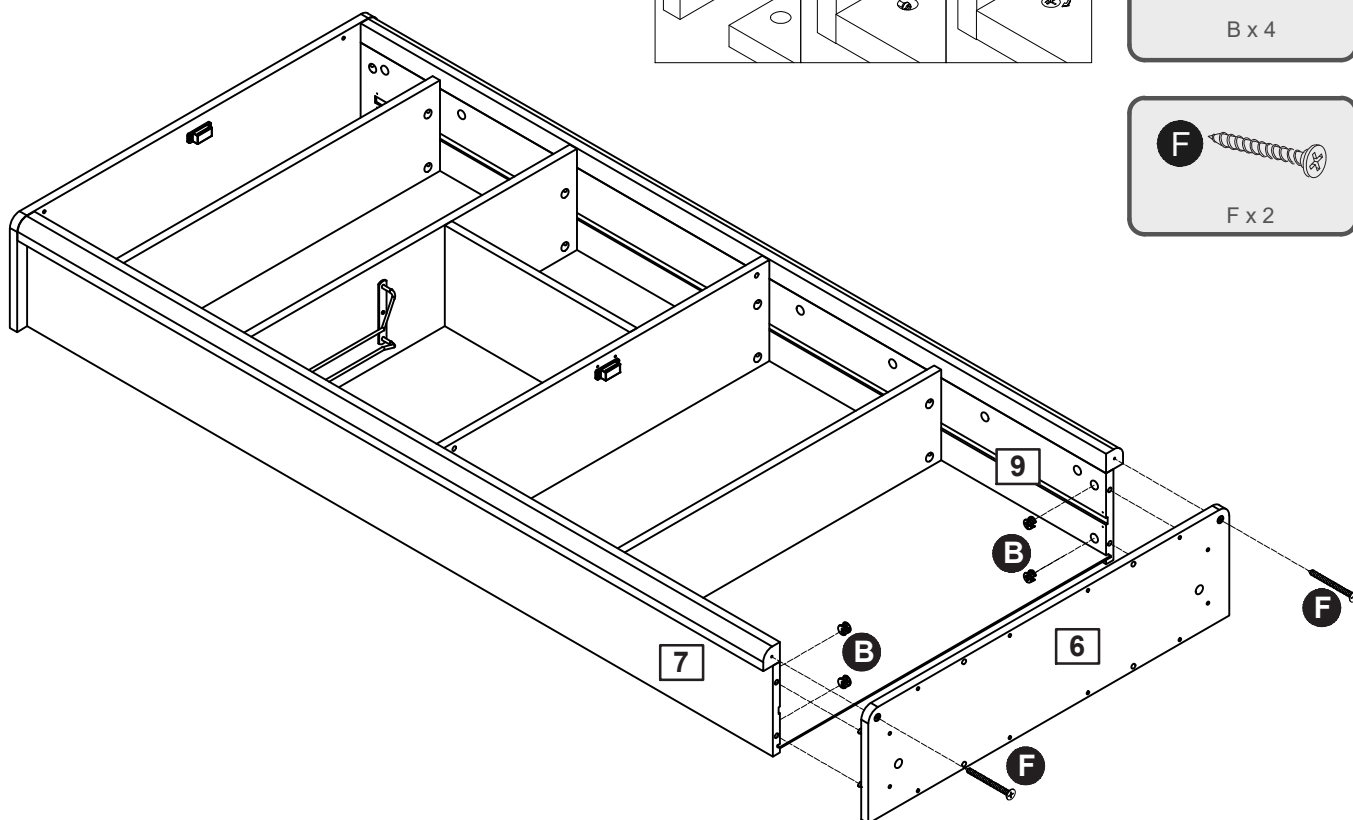


B x 4

**F**



F x 2

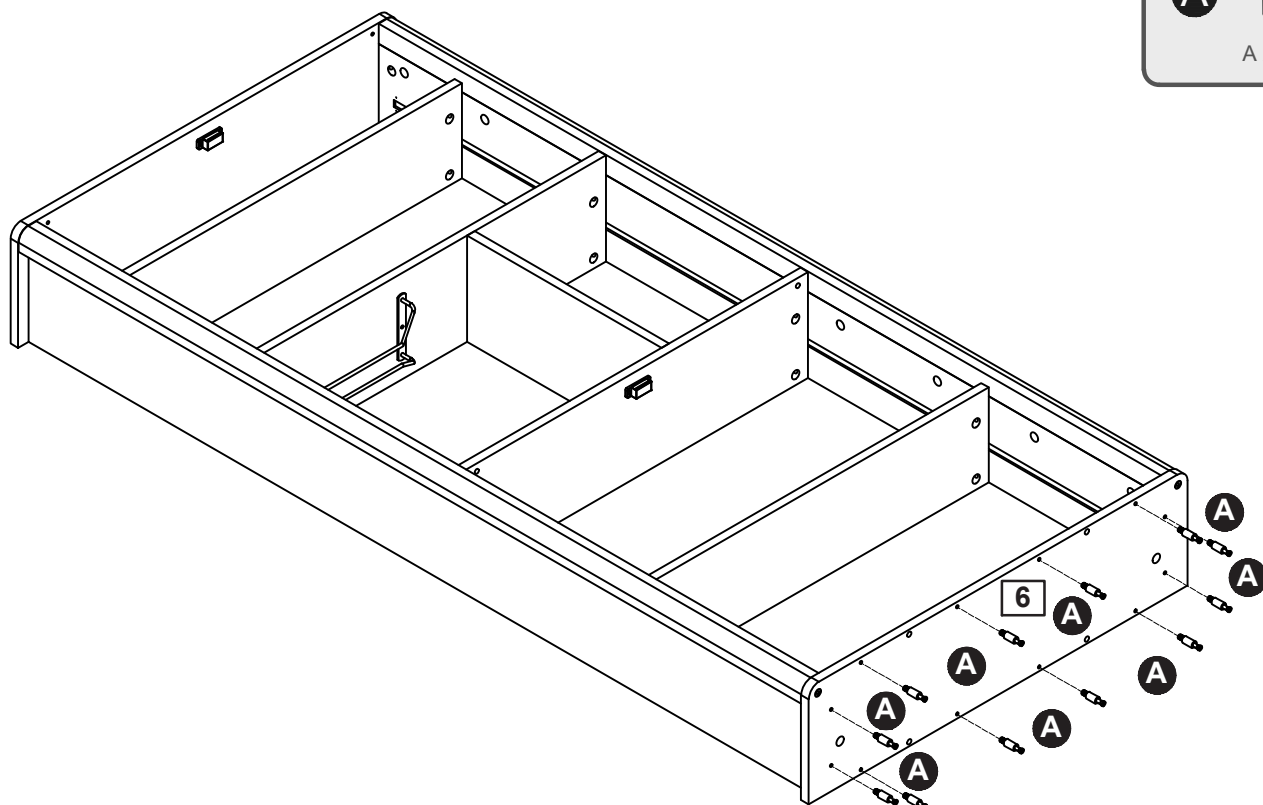


## Step 12

**A**

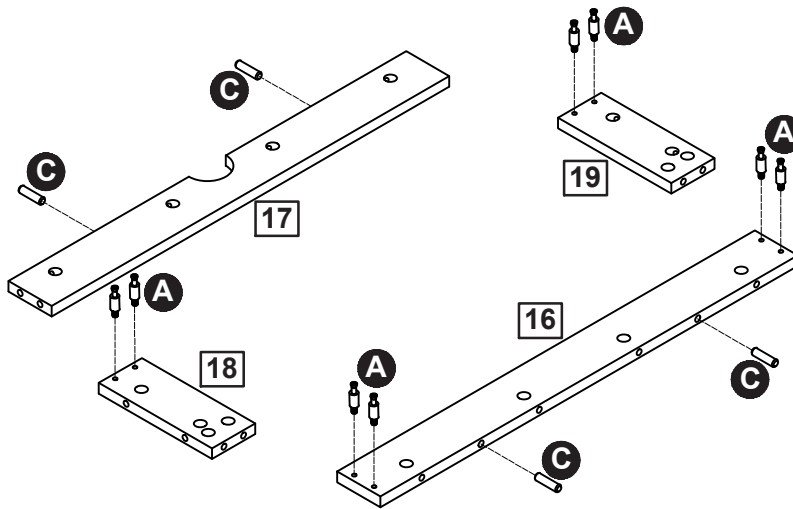


A x 12



# Assembly Instructions

## Step 13



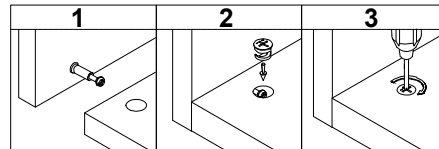
**A**



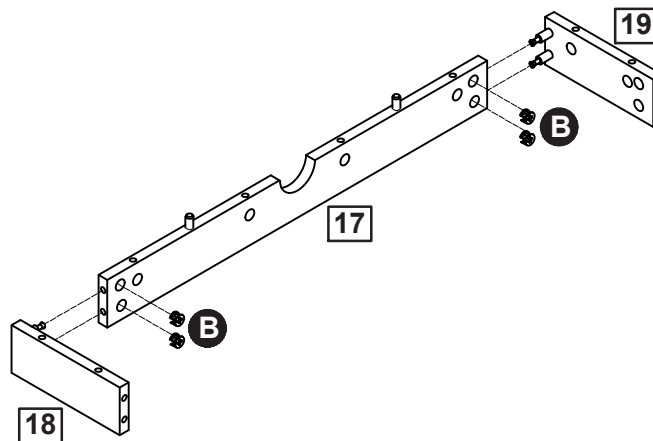
**C**



## Step 14

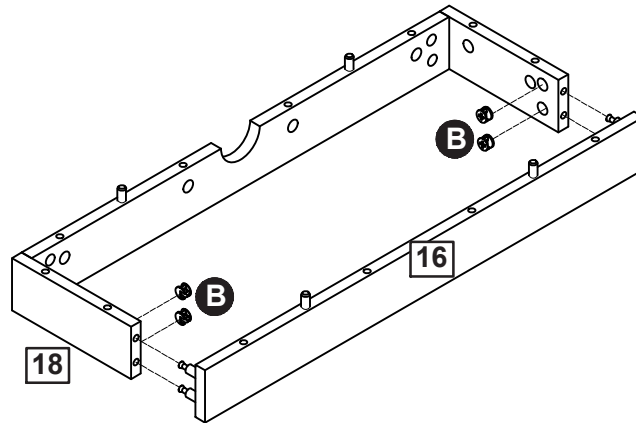
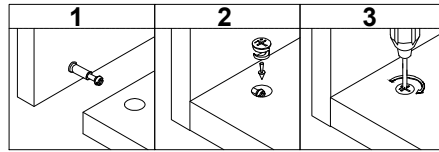


**B**

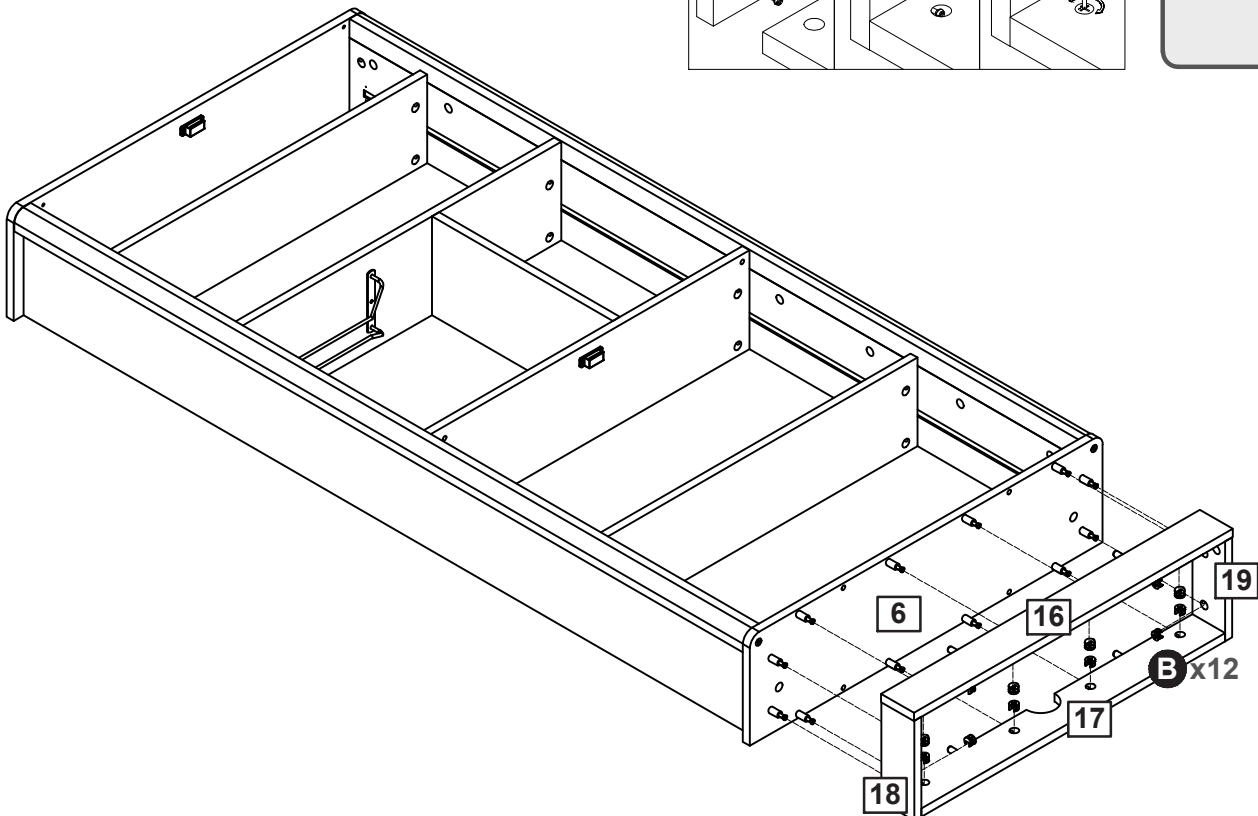
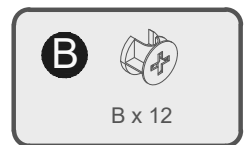
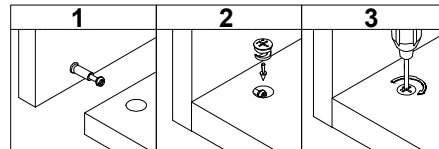


# Assembly Instructions

## Step 15



## Step 16



# Assembly Instructions

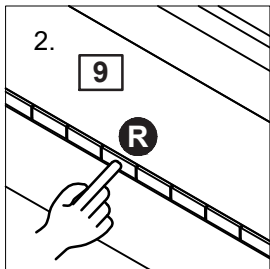
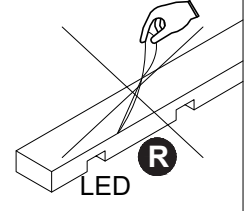
## Step 17



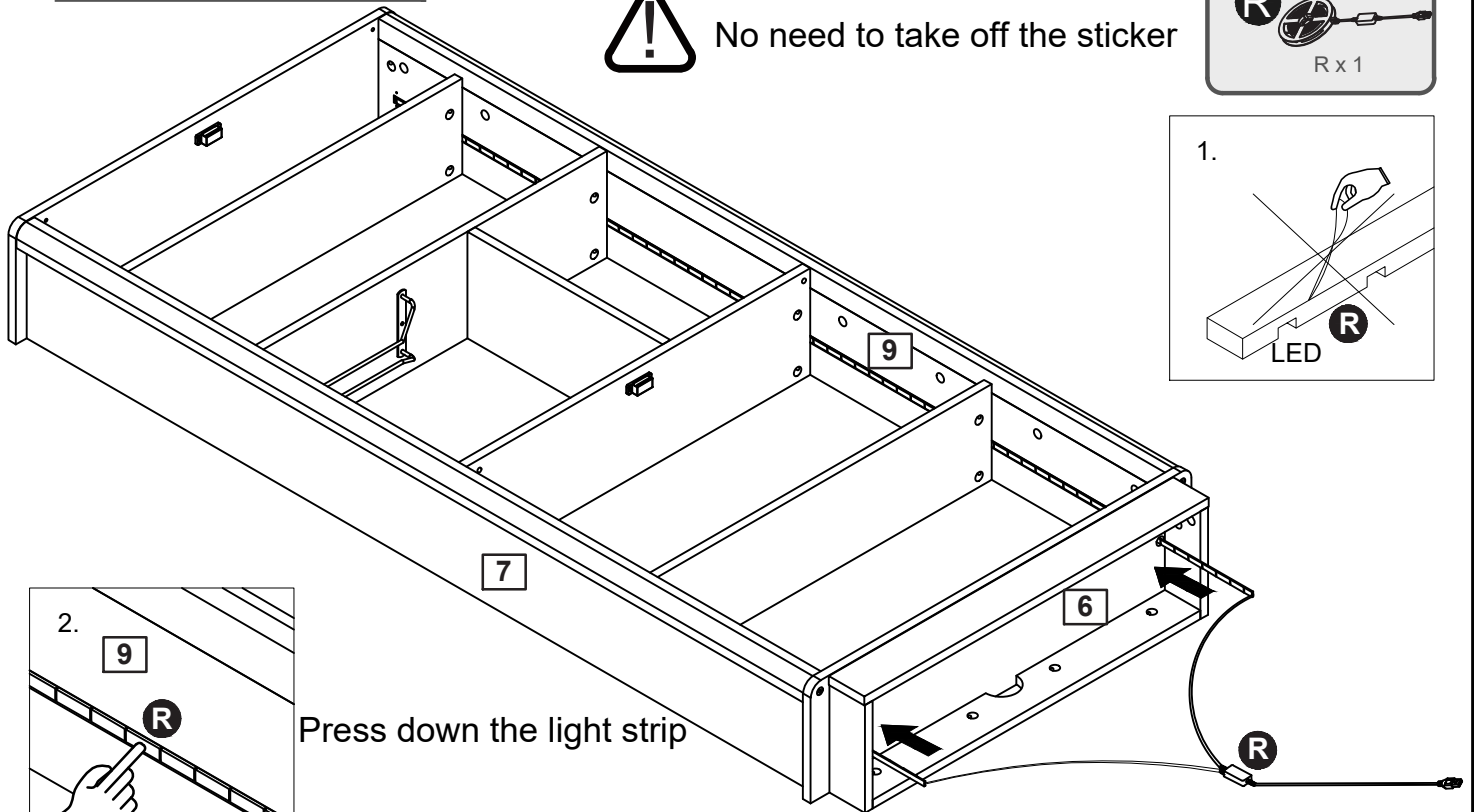
No need to take off the sticker



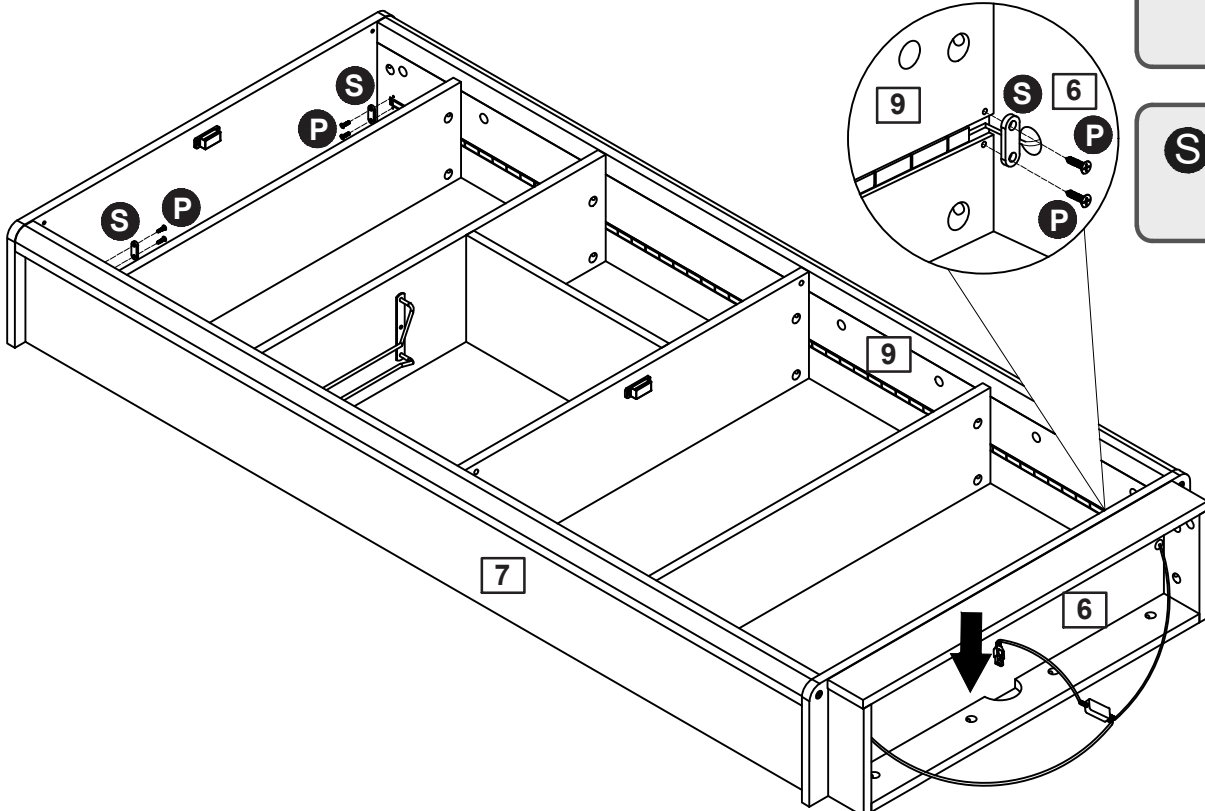
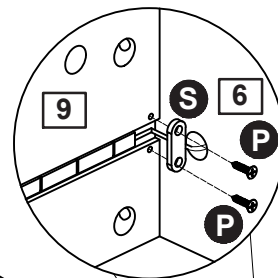
1.



Press down the light strip

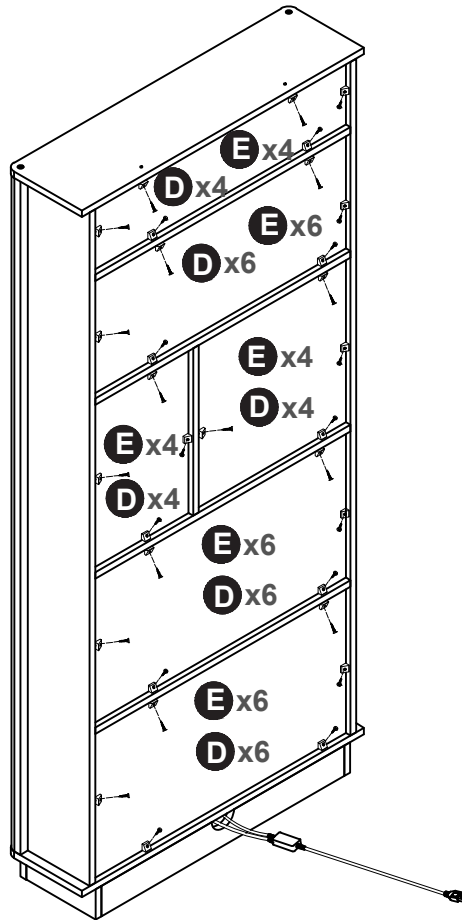


## Step 18



# Assembly Instructions

## Step 19

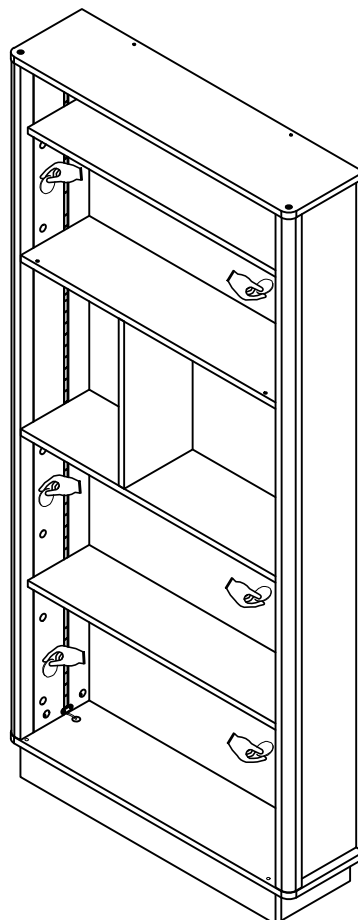


D x 32

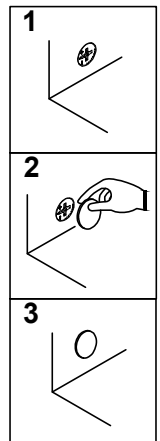


E x 32

## Step 20



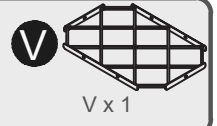
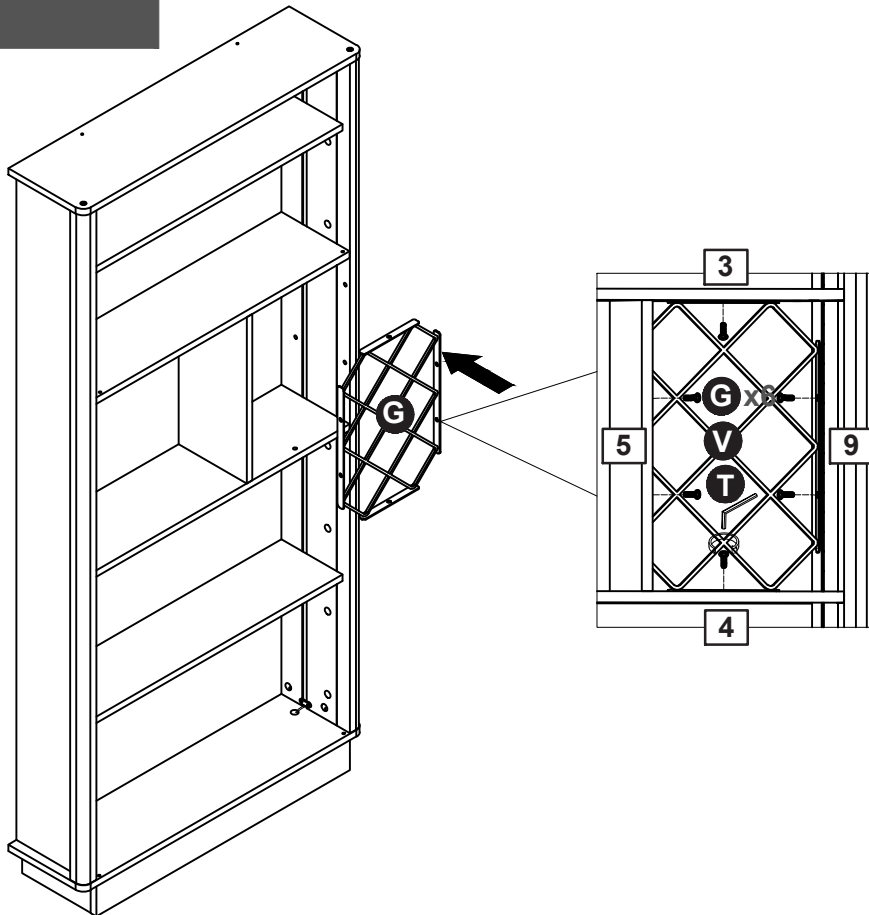
U x 26



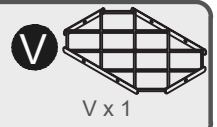
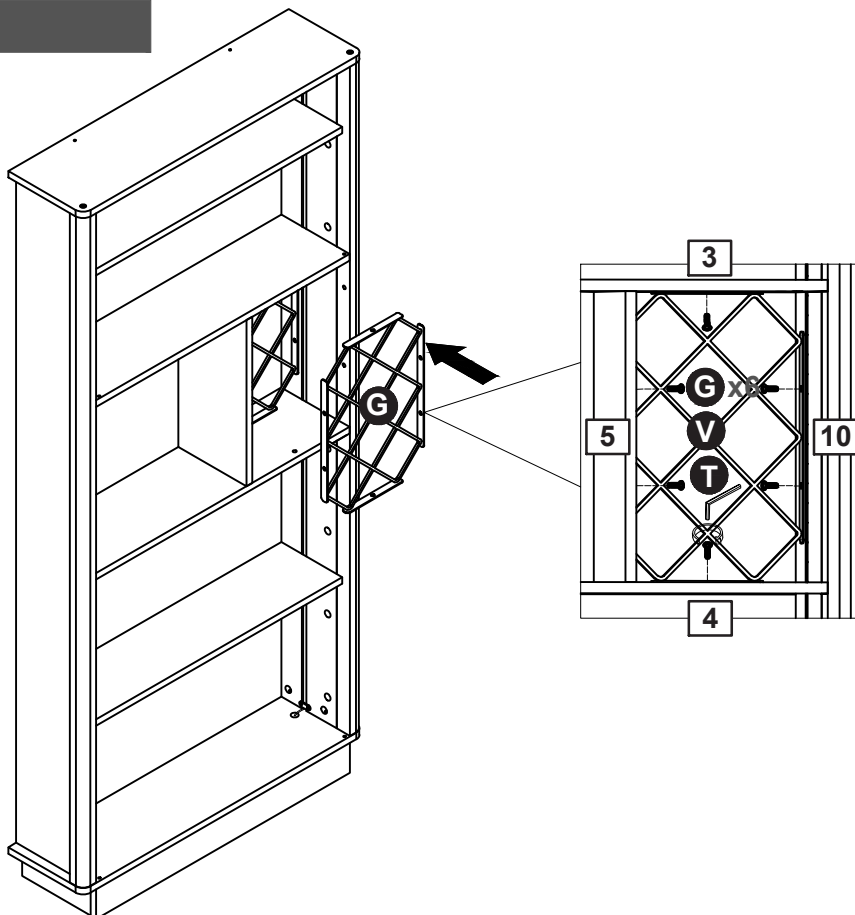


# Assembly Instructions

## Step 21

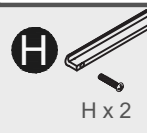
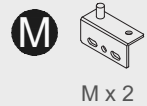
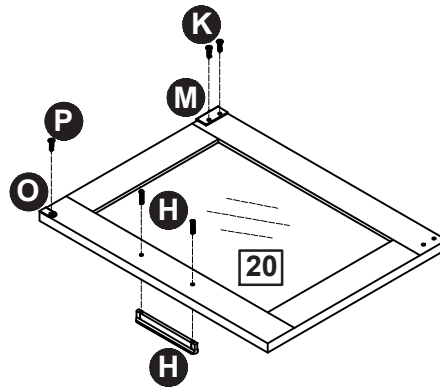
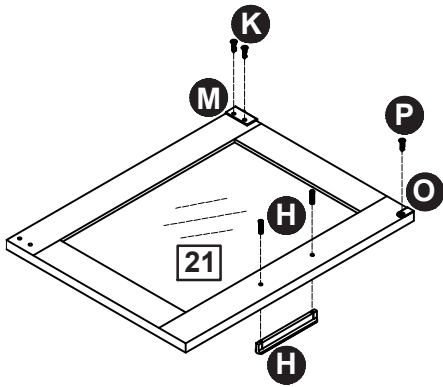


## Step 22

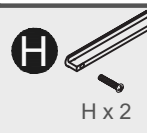
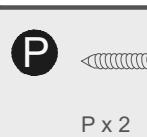
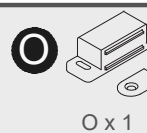
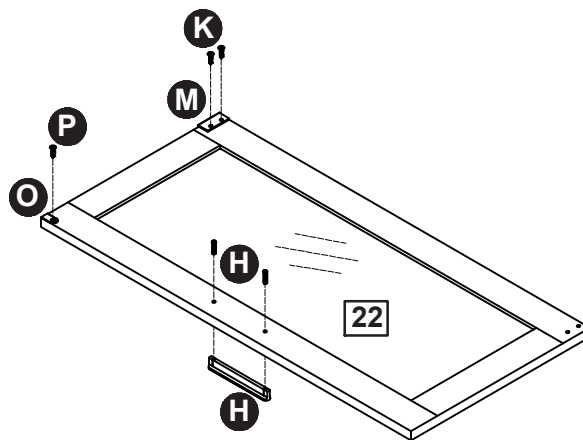
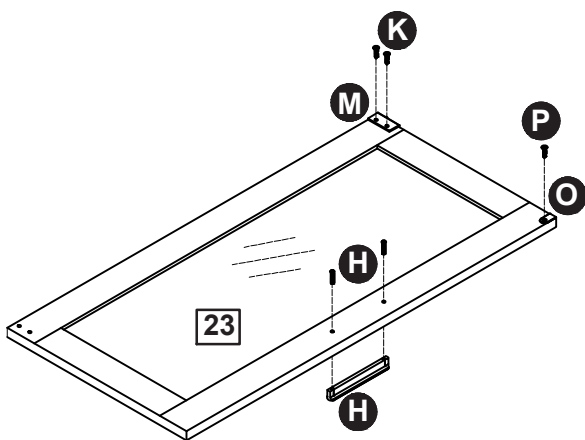


# Assembly Instructions

## Step 23

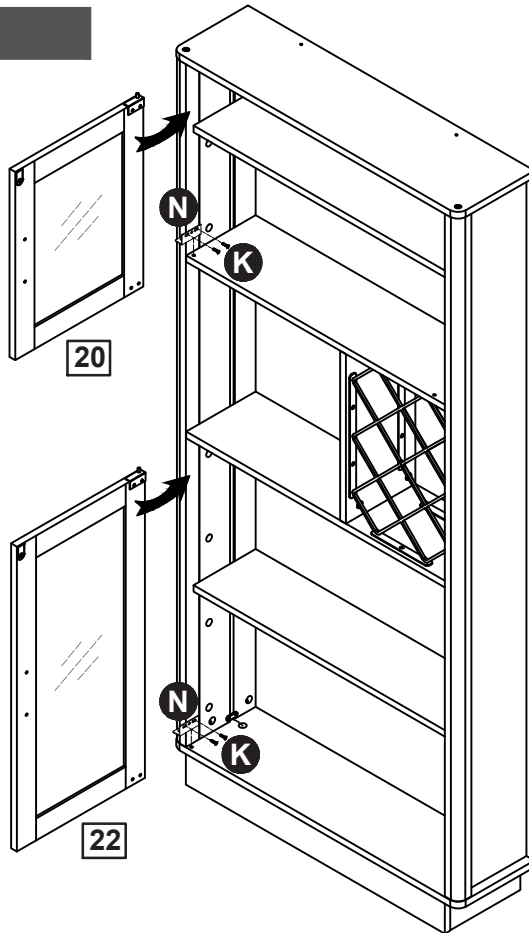
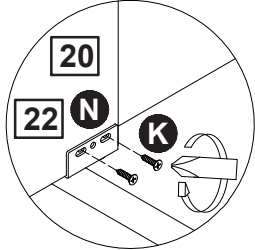
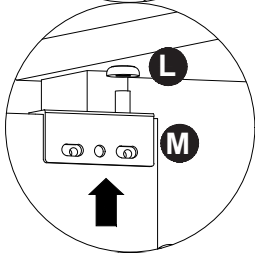
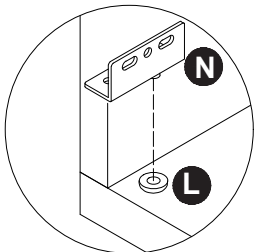


## Step 24



# Assembly Instructions

## Step 25



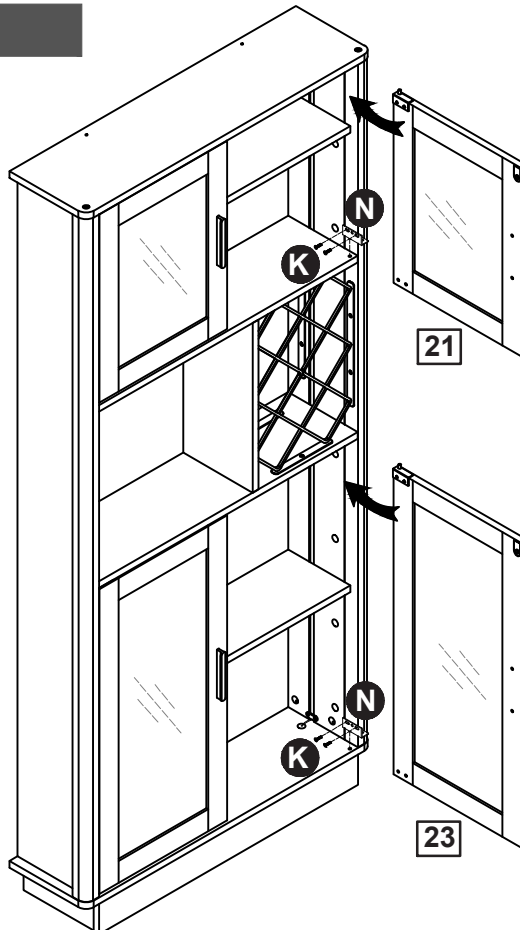
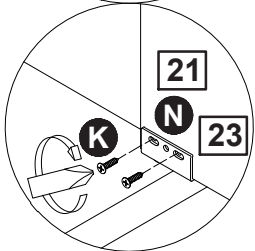
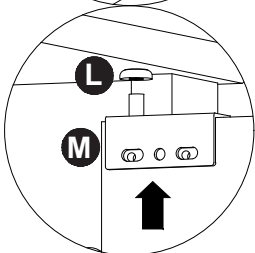
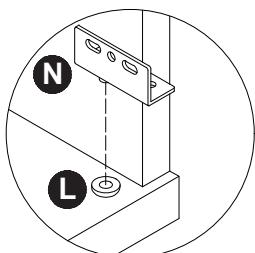
K x 4



N x 2

Place bottom hinge (L) into plastic pivot (K) on part (7). Insert door hinge (M) into plastic pivot (K) on part (3), then slide the door (8) into the bottom hinge (L). Tightening door hinge (L) with screws (D) in equal pressure.

## Step 26



K x 4



N x 2

Place bottom hinge (M) into plastic pivot (K) on part (7). Insert door hinge (L) into plastic pivot (K) on part (3), then slide the door (9) into the bottom hinge (M). Tightening door hinge (M) with screws (D) in equal pressure.

# Assembly Instructions

## Step 27

Q



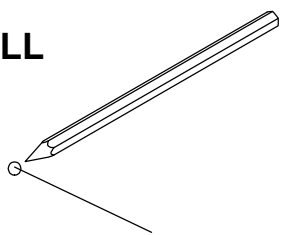
Q x 2



### ATTENTION:

For safety and stability, we suggest you have to secure the anti tip accessories to the wall to prevent tipping, injury, and property damage.

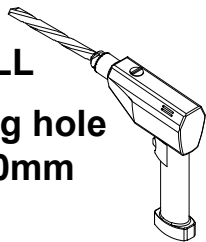
WALL



(1)

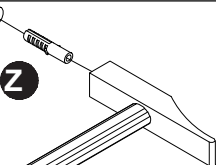
WALL

drilling hole  
Ø6x30mm



(2)

WALL



(3)

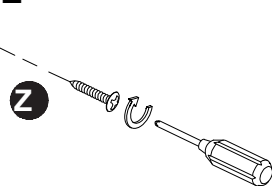
Z

Z

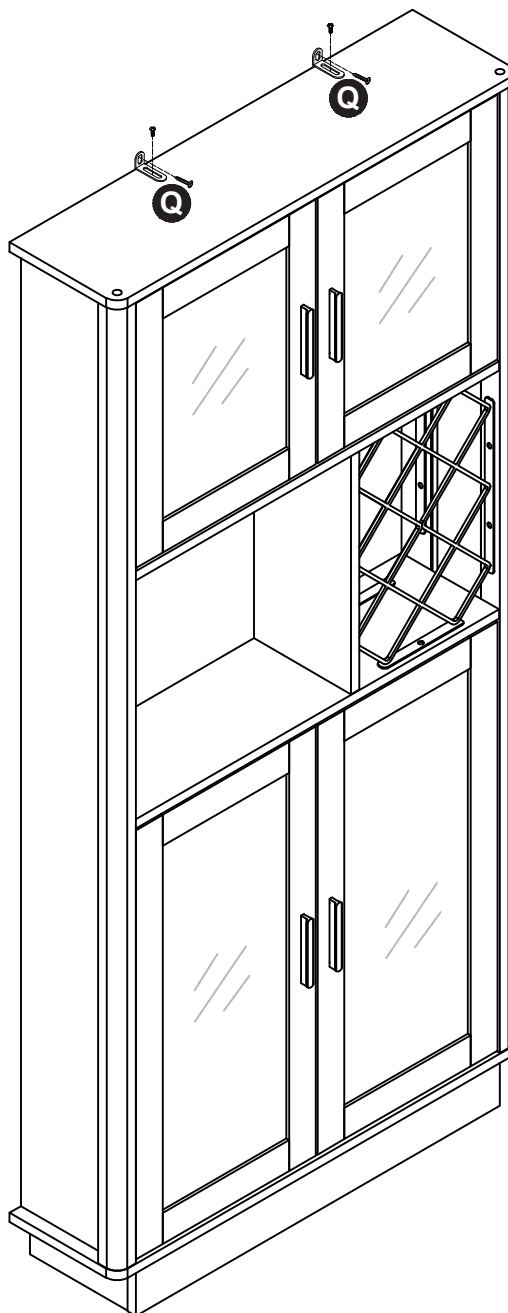
Z

(4)

WALL

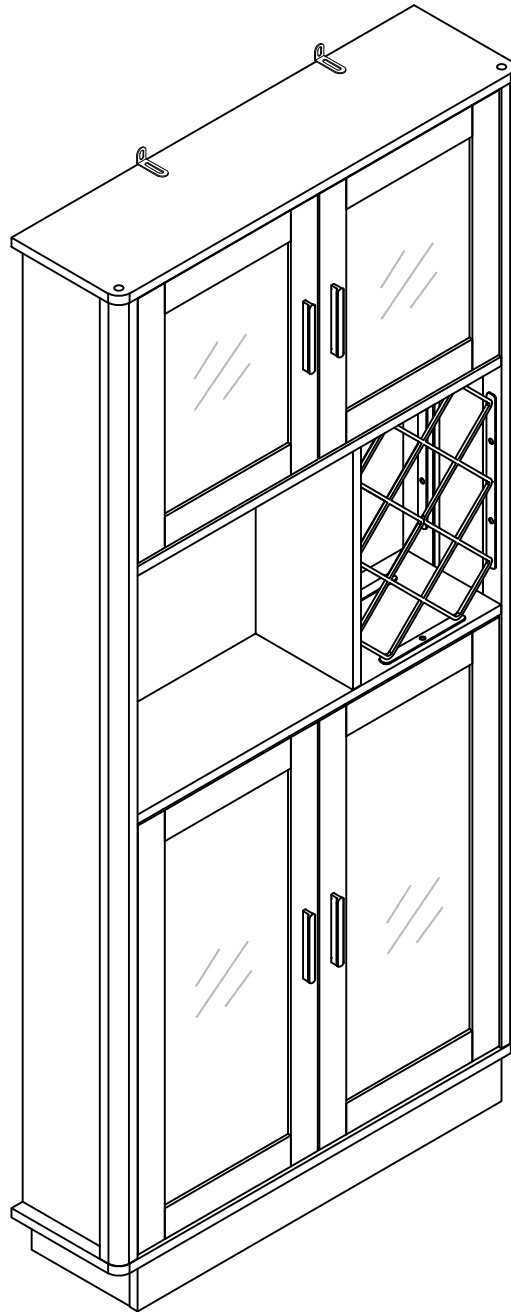


(5)



# Assembly Instructions

## Step 28



Assembly is complete.