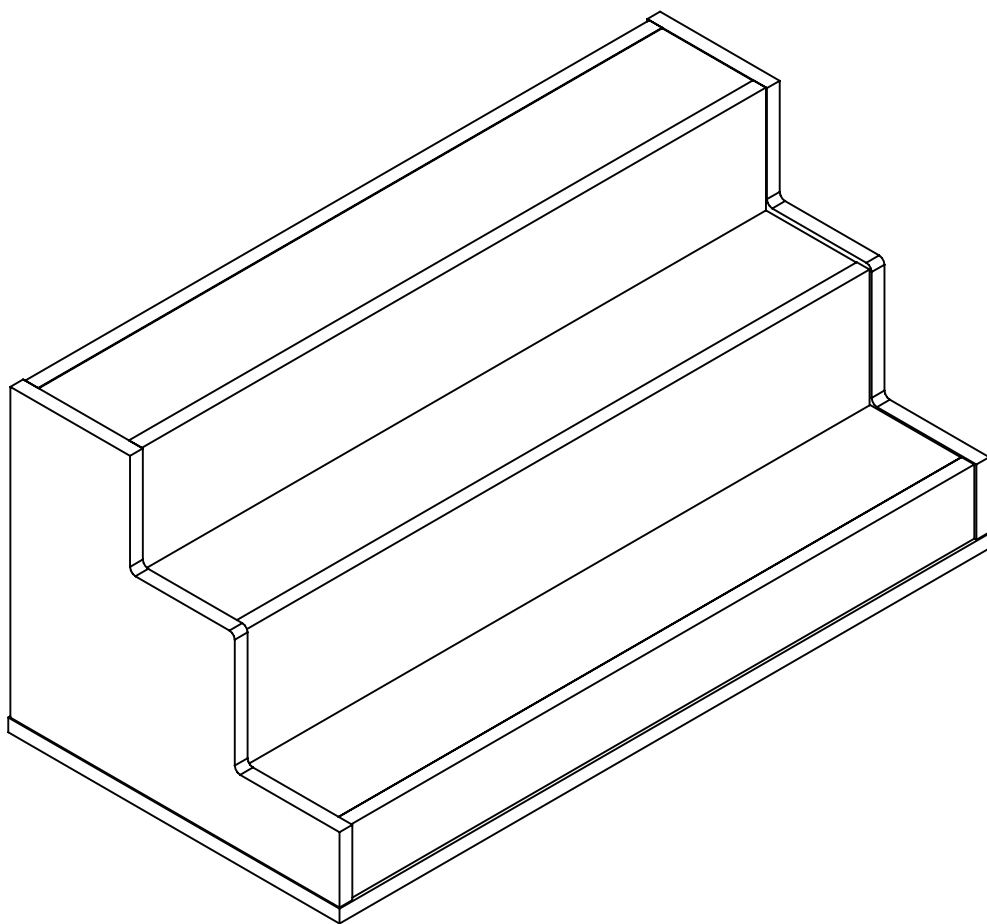


INSTRUCTION MANUAL



Model: A20

Customer service email: info@i-aplus.com

Attention:

Thank you very much for your purchase.

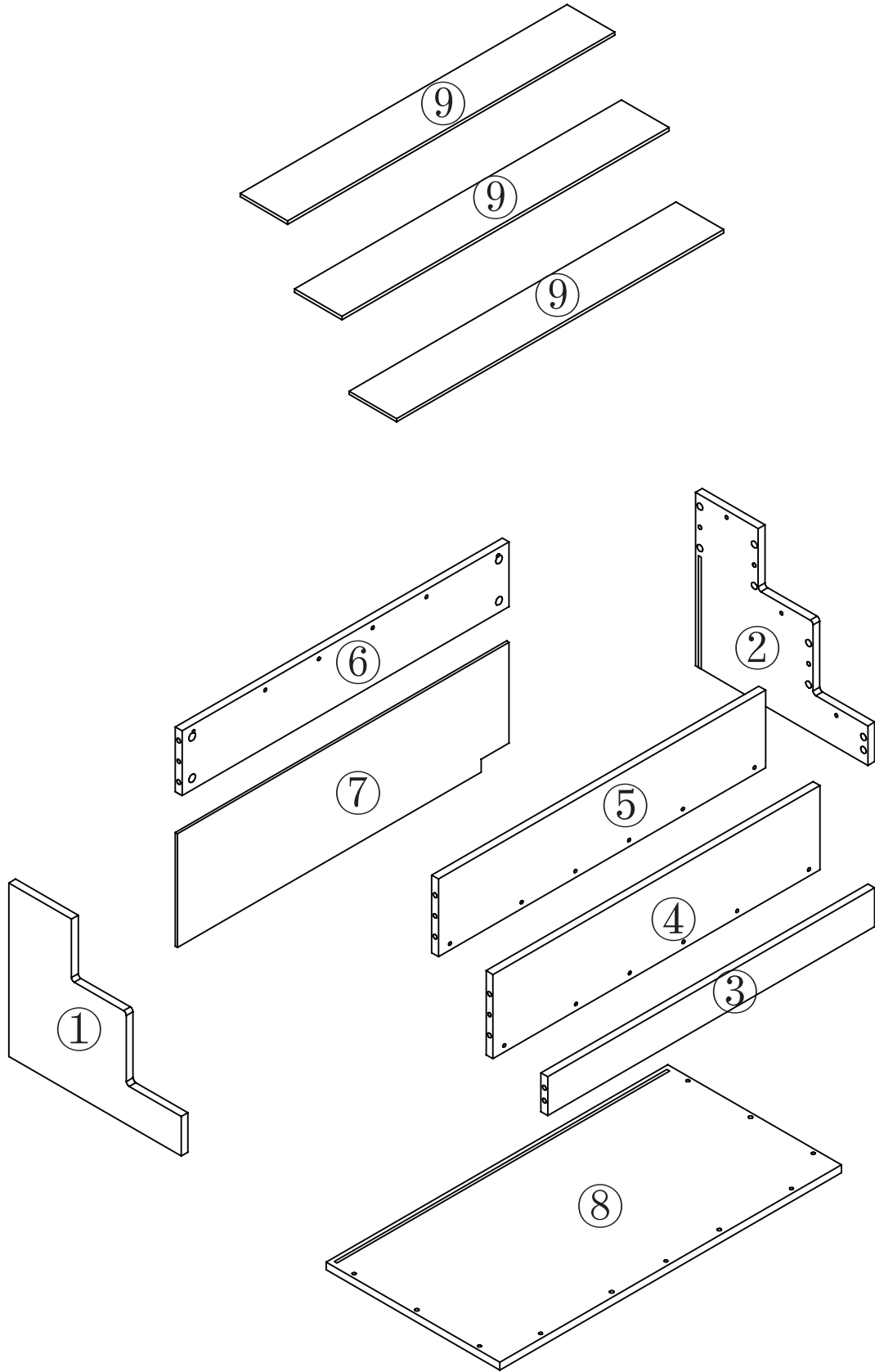
When the number of your order is more than 1, we will split your order and ship the goods separately to ensure the safety.

We promise to deliver at the same time, but the time of receipt may be slightly different due to logistics.

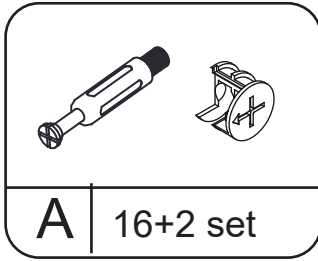
Each tracking number corresponds to only one cargo, you can contact info@i-aplus.com for more logistics information.

Thanks again for your understanding.

PARTS LIST

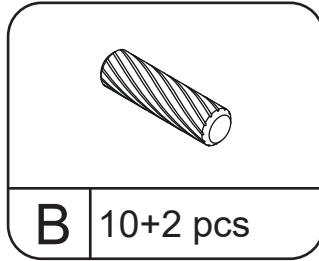


HARDWARE LIST



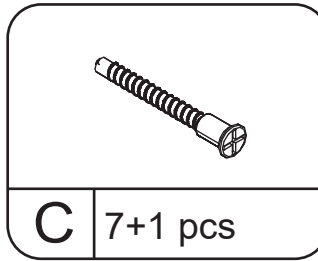
A 16+2 set

Cam Bolt & Cam Lock
F7*25 F12*10



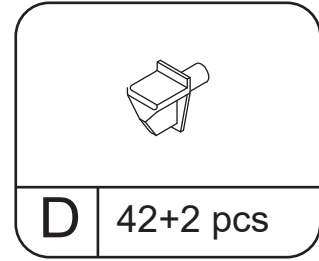
B 10+2 pcs

Wood Dowel
F6*30



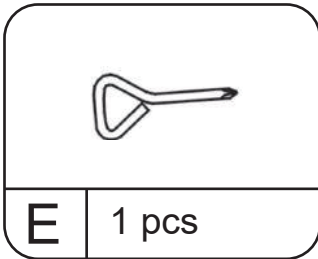
C 7+1 pcs

Screw
F5*40

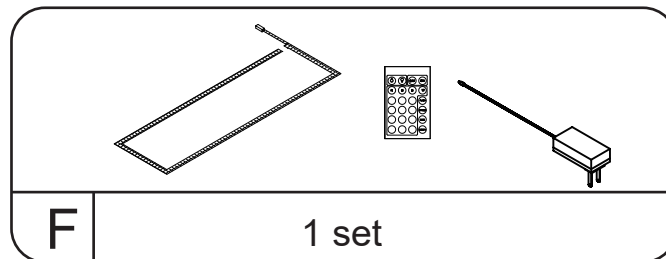


D 42+2 pcs

Glass holder

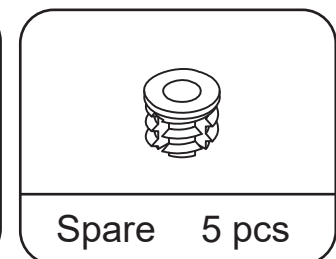


E 1 pcs



F 1 set

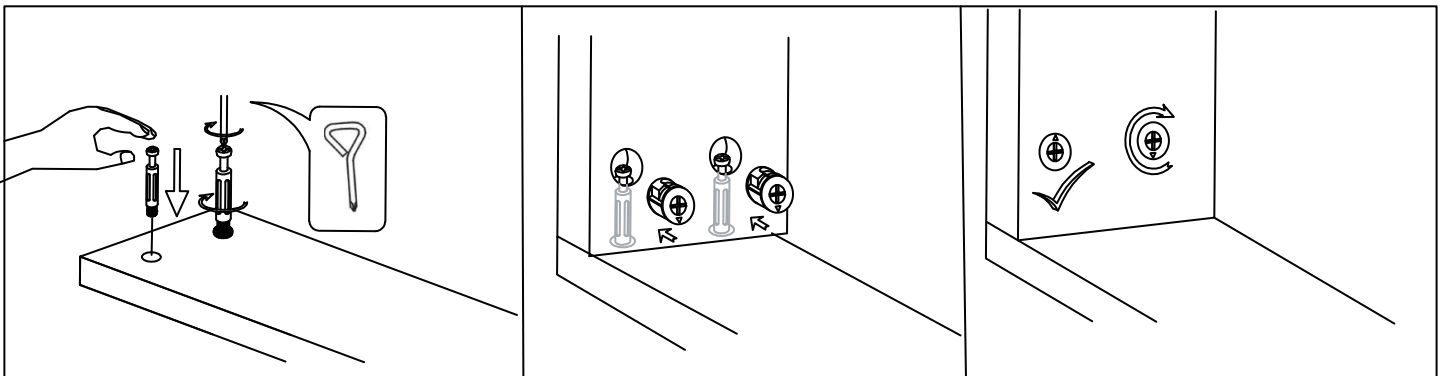
Light strip



Spare 5 pcs

Insert nut
F10*9

If the nut is missing from the panel,
use a hammer to drive in the spare nut

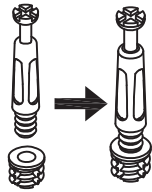


Attention :

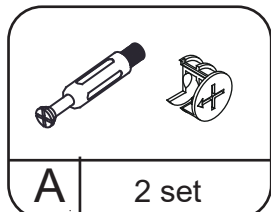
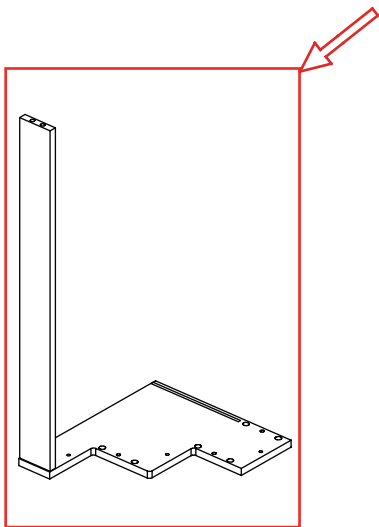
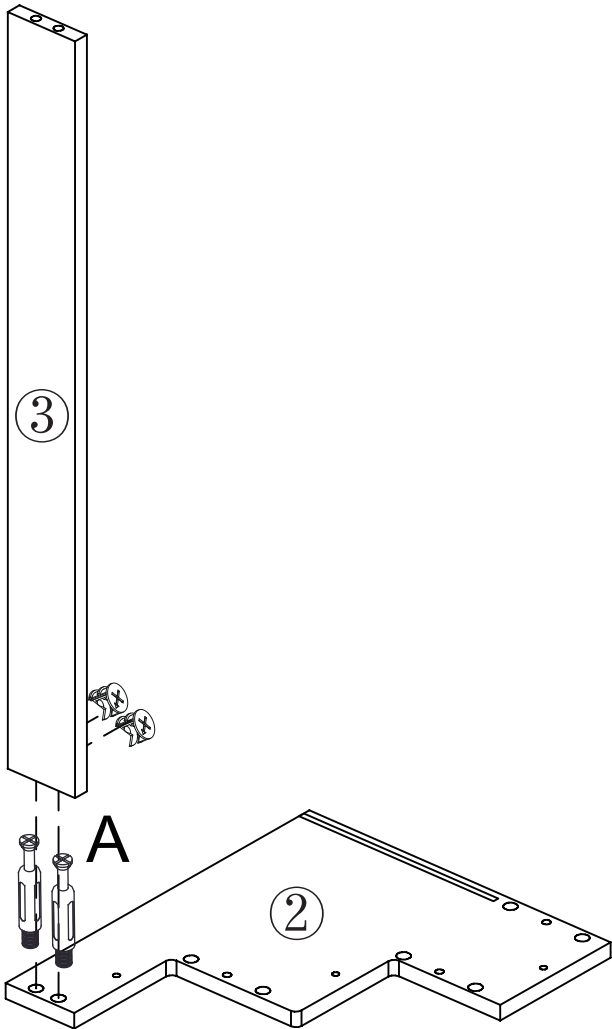
1. Please place the product on the carpet or carton to assemble to avoid scratching the floor;
2. During the installation process, keep away from children and pets, and avoid accidentally swallowing spare parts;
3. It is recommended to use a low-speed electric drill for installation.

INSTRUCTION MANUAL

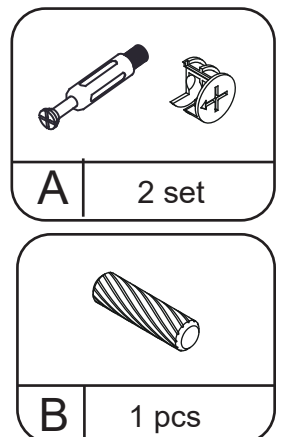
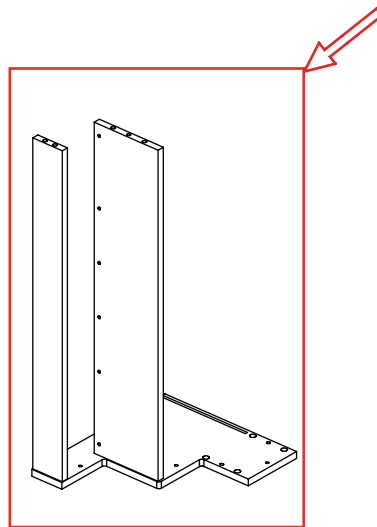
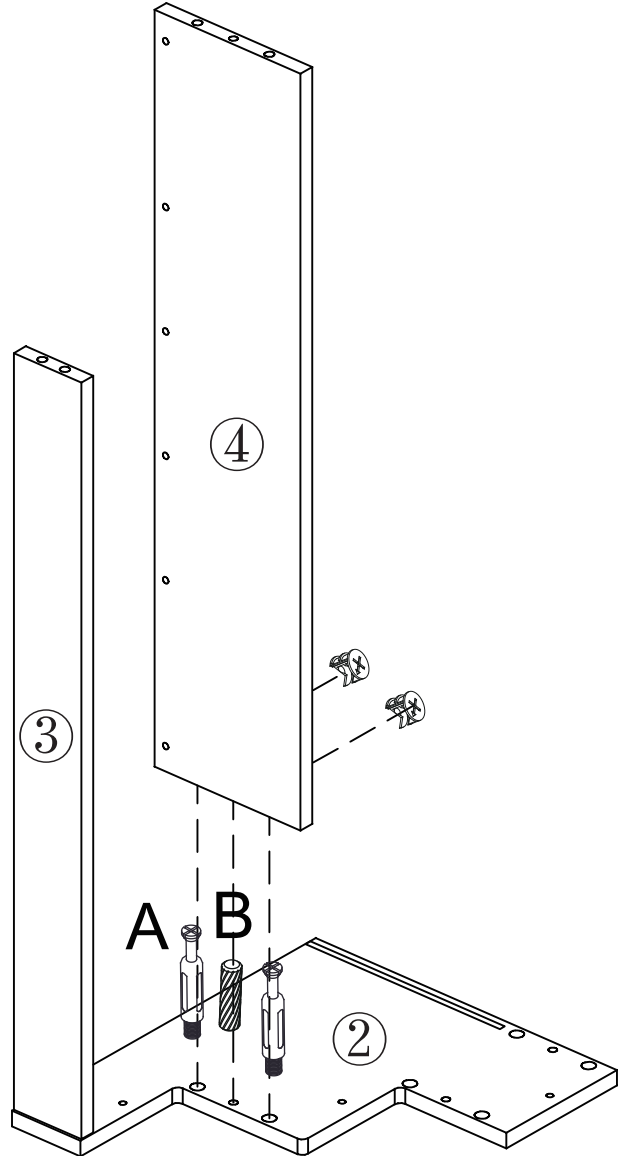
Step 1



(Attention: Cam bolt & Insert nut need to be put together)

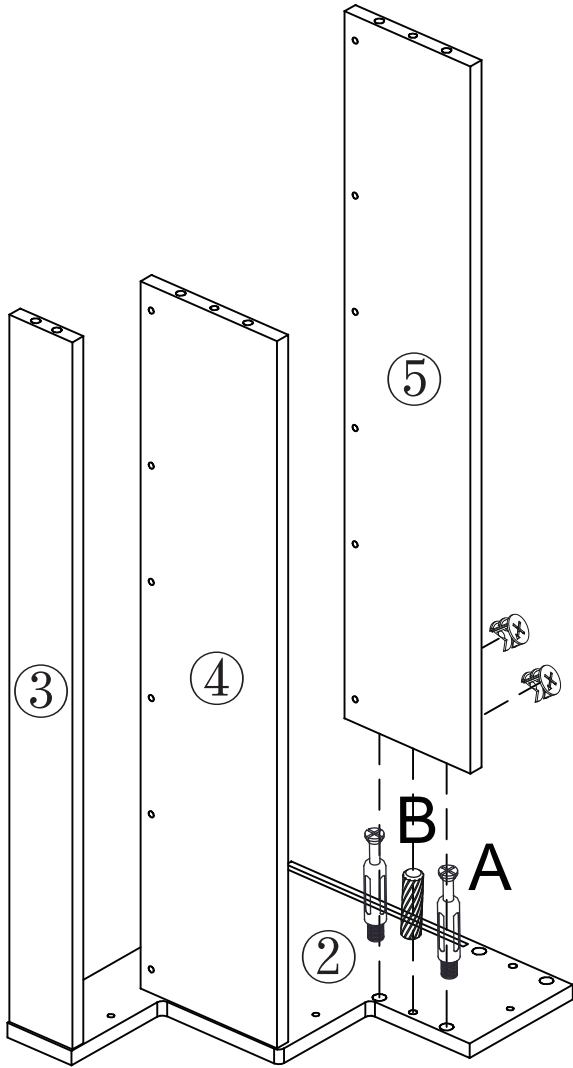


Step 2

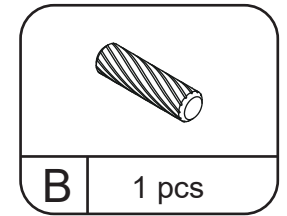
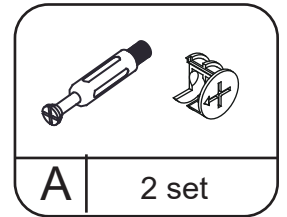
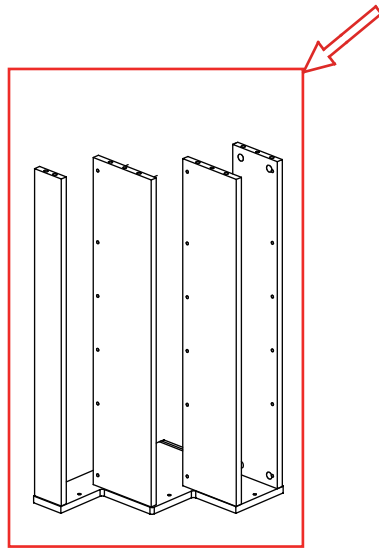
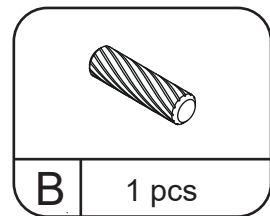
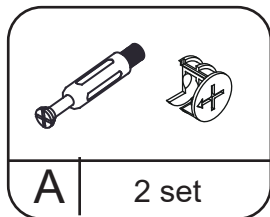
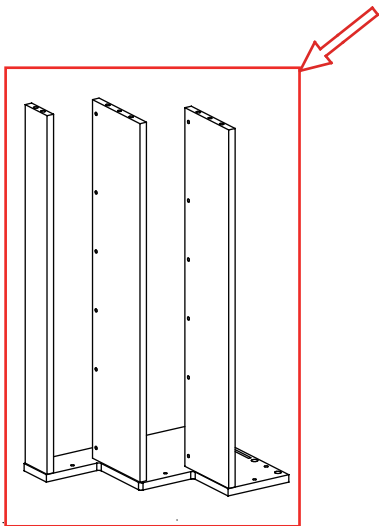
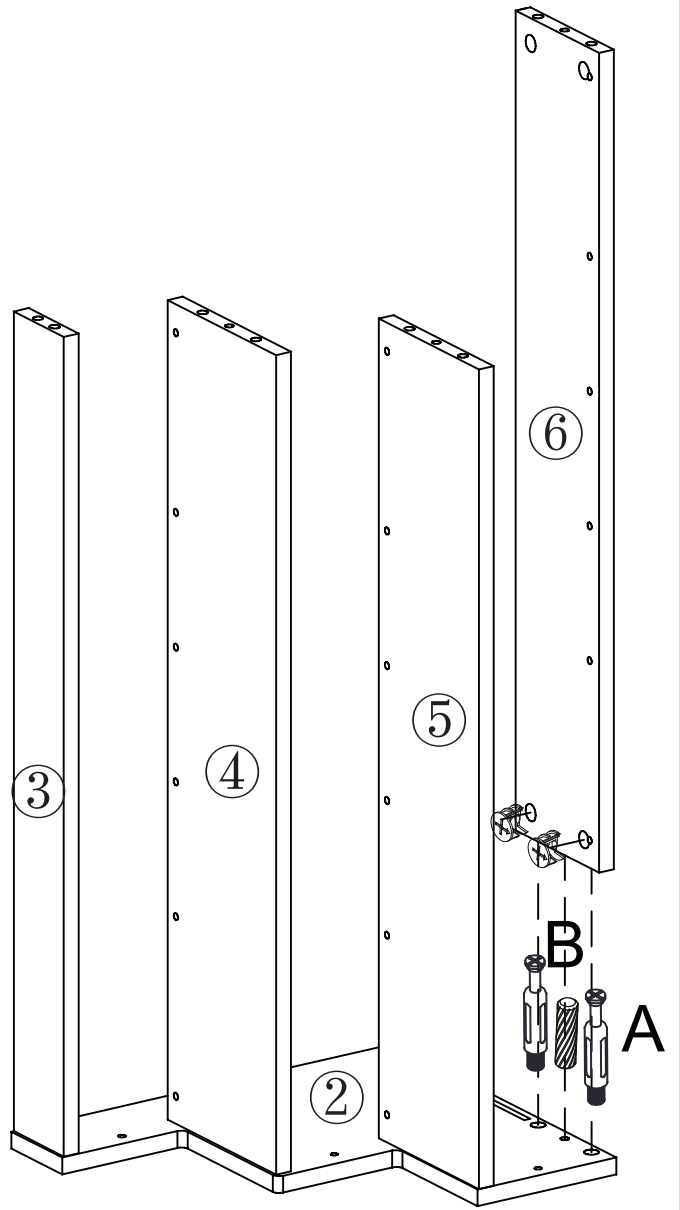


INSTRUCTION MANUAL

Step 3

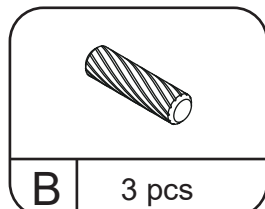
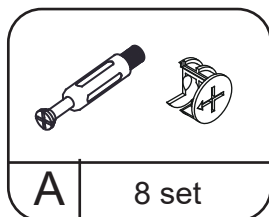
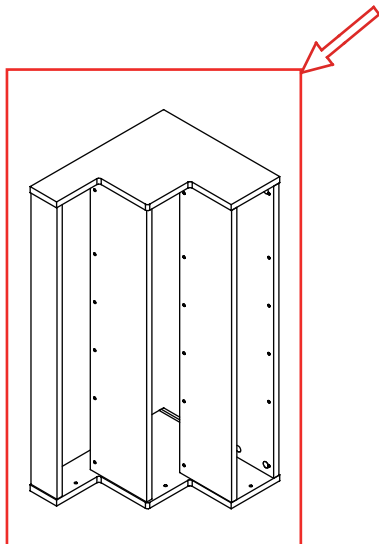
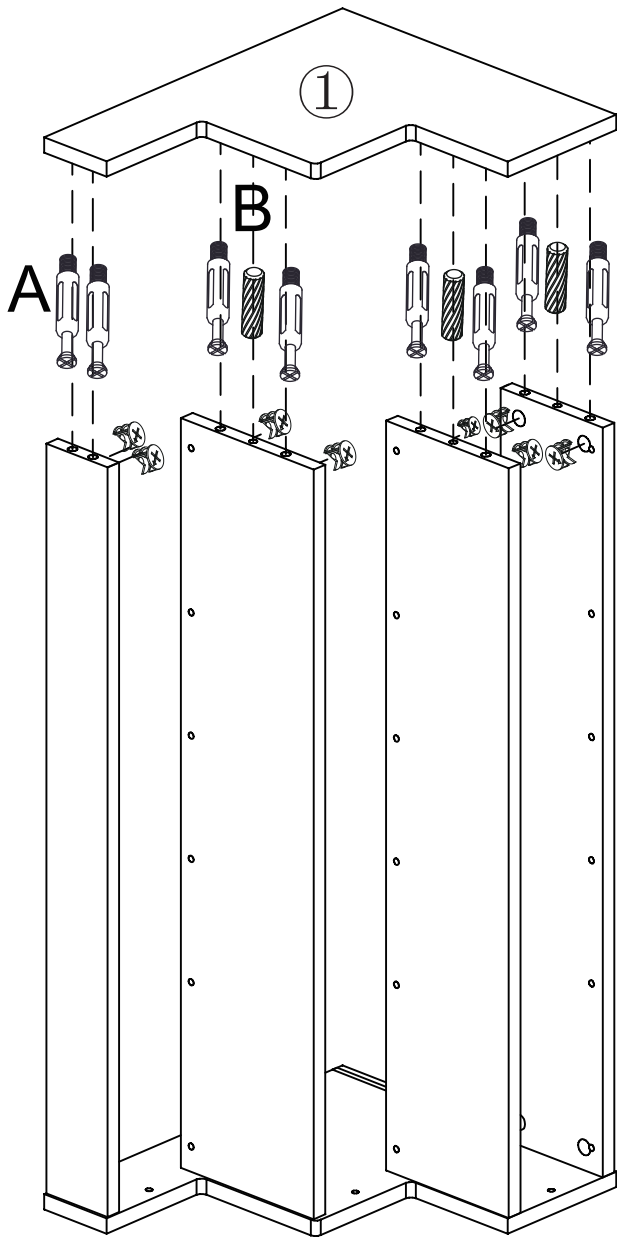


Step 4

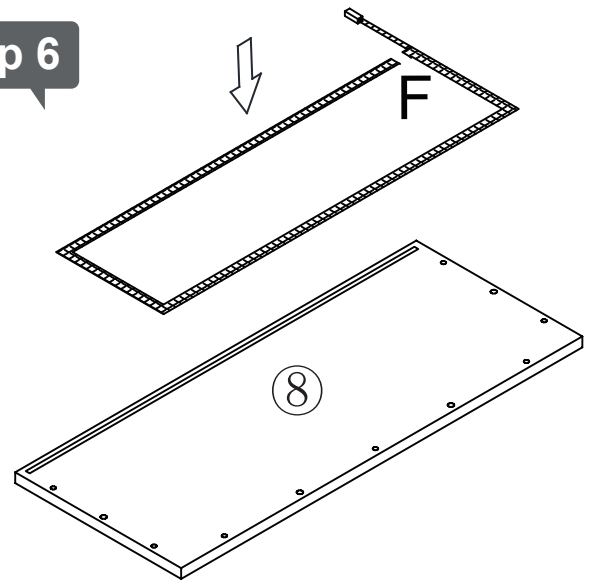


INSTRUCTION MANUAL

Step 5



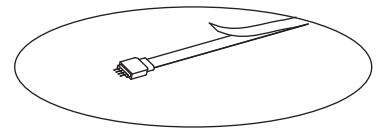
Step 6



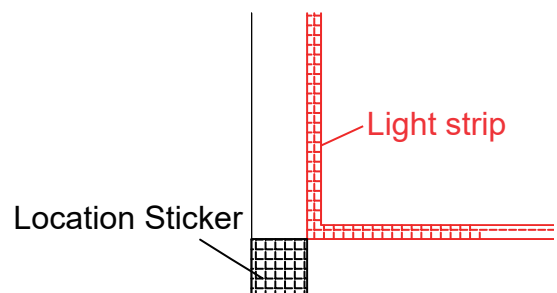
Stick Light strip to the ⑧

Note:

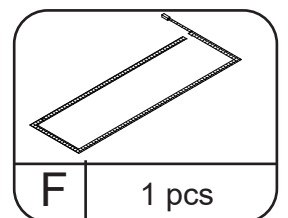
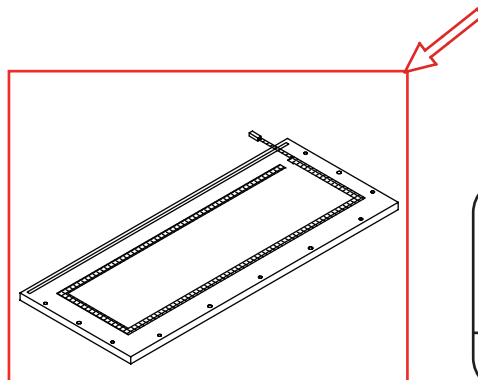
1. The direction of the light strip;
2. If the Light strip is pasted incorrectly, it should be gently removed to prevent damage.



For the best lighting effect, please pay attention to the place where the light strip is stuck as shown below.

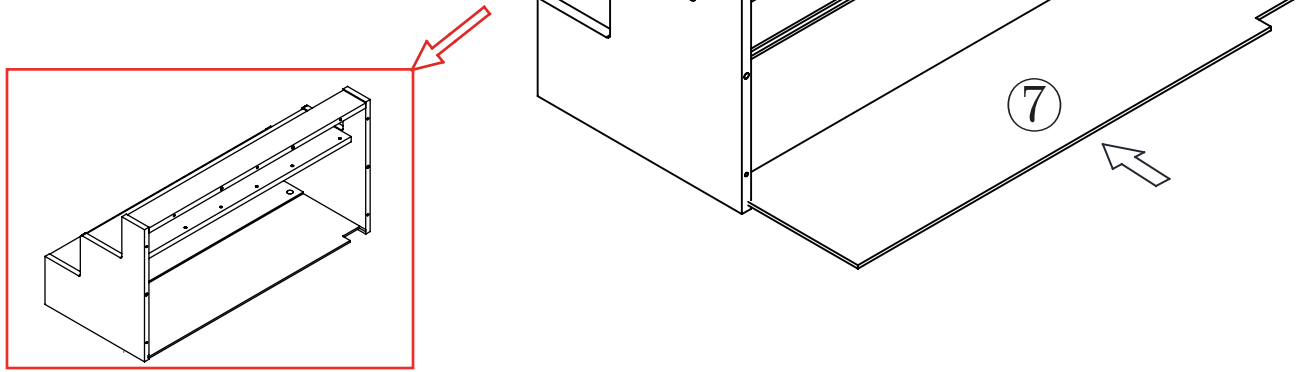


Remove the location sticker after the light strip is stuck.

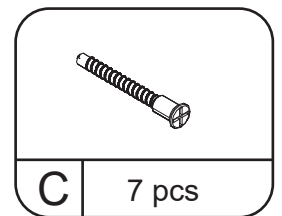
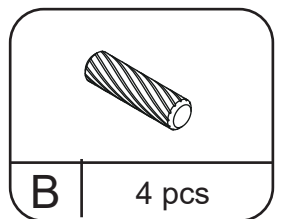
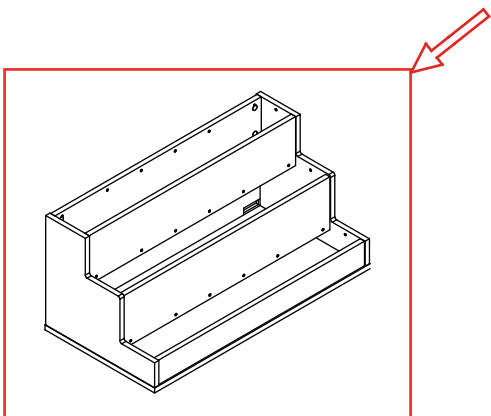
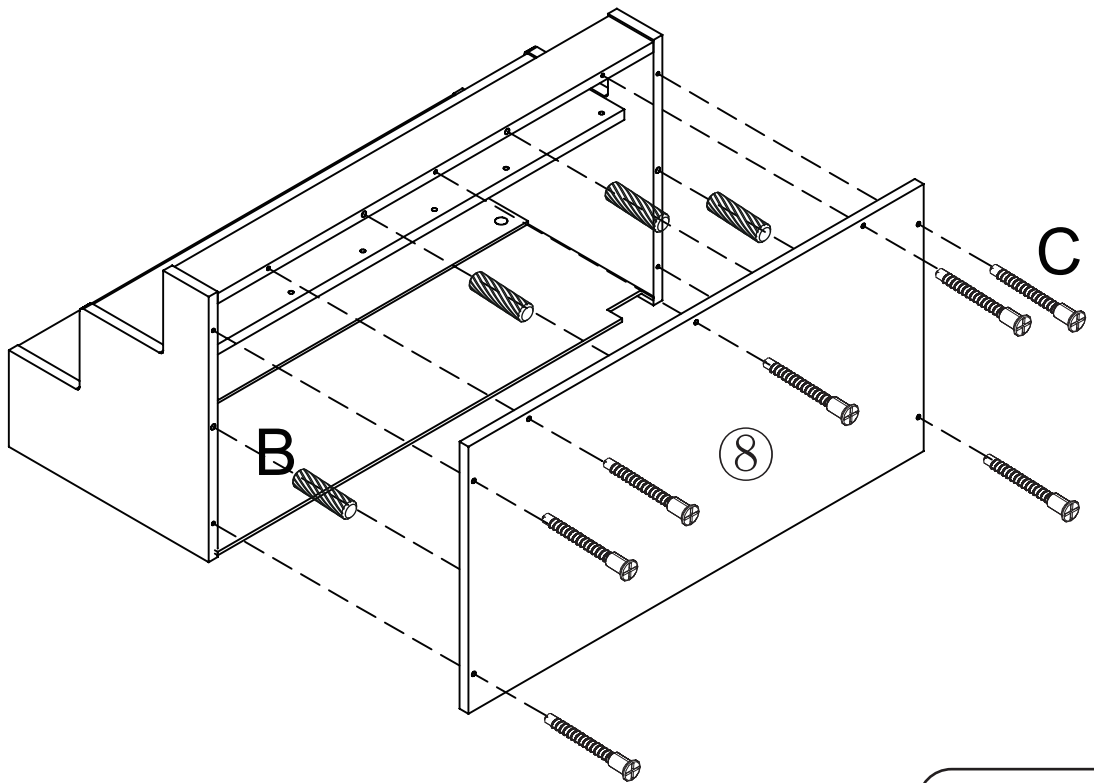


INSTRUCTION MANUAL

Step 7

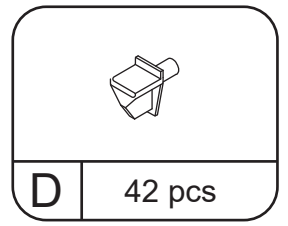
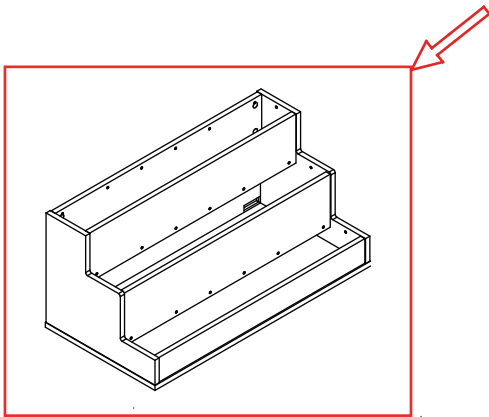
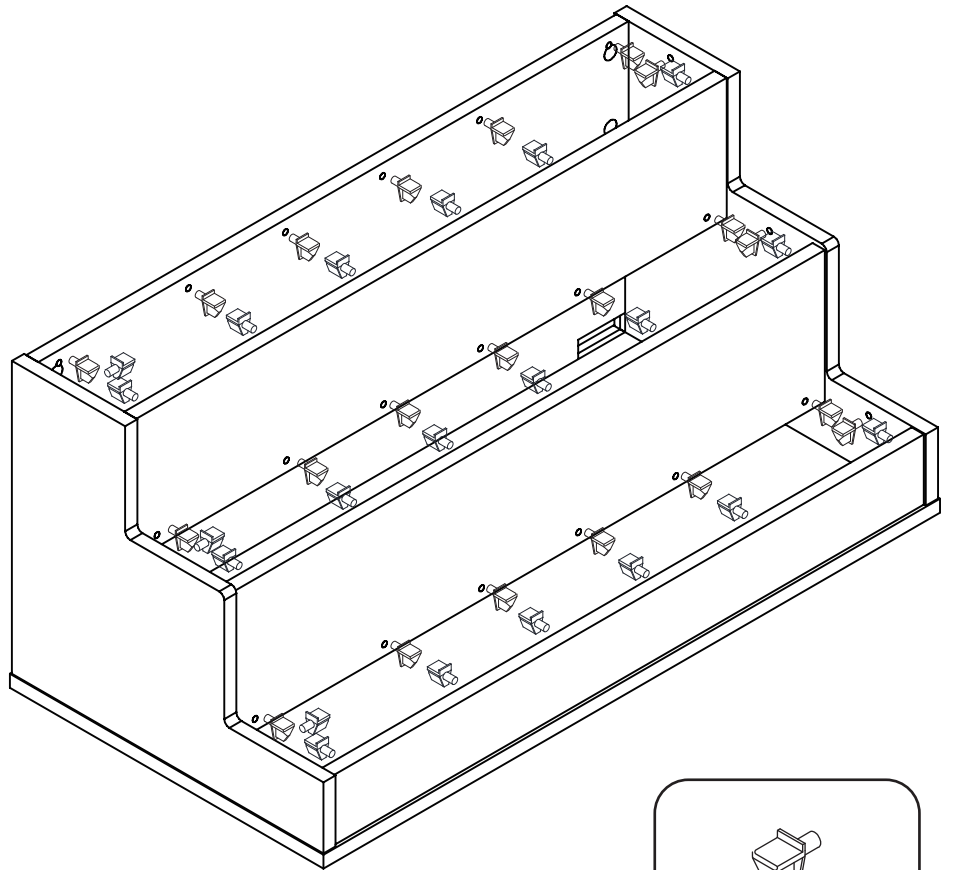
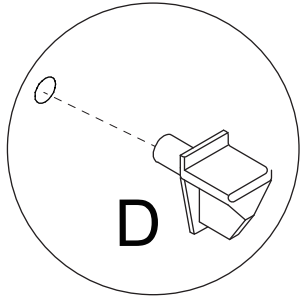


Step 8



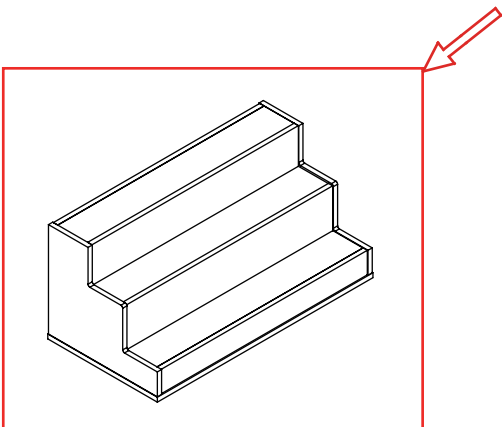
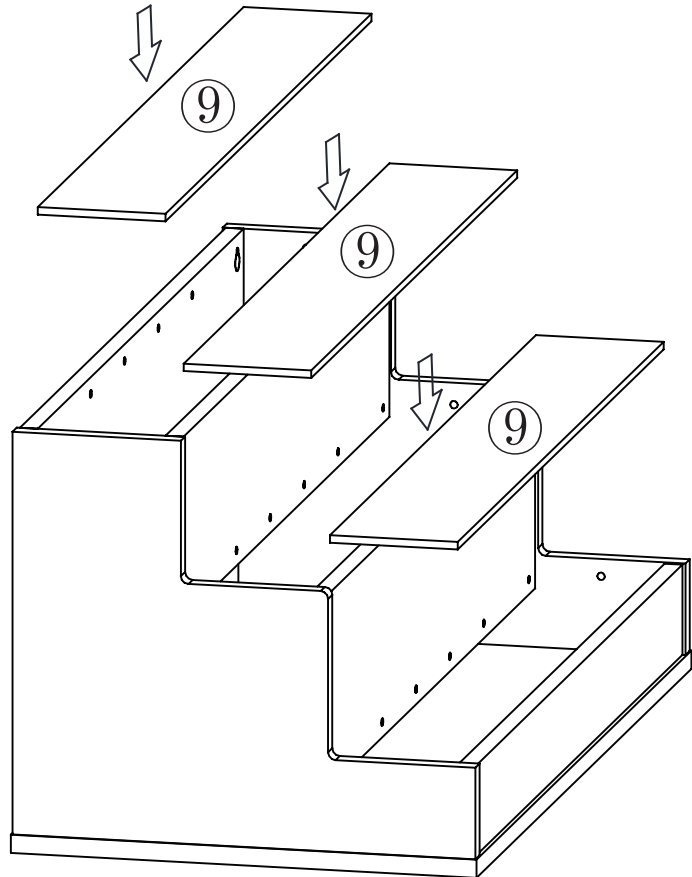
INSTRUCTION MANUAL

Step 9



Step 10

⑨
There is a protective film on both sides, please tear it off.



INSTRUCTION MANUAL

Step 11

