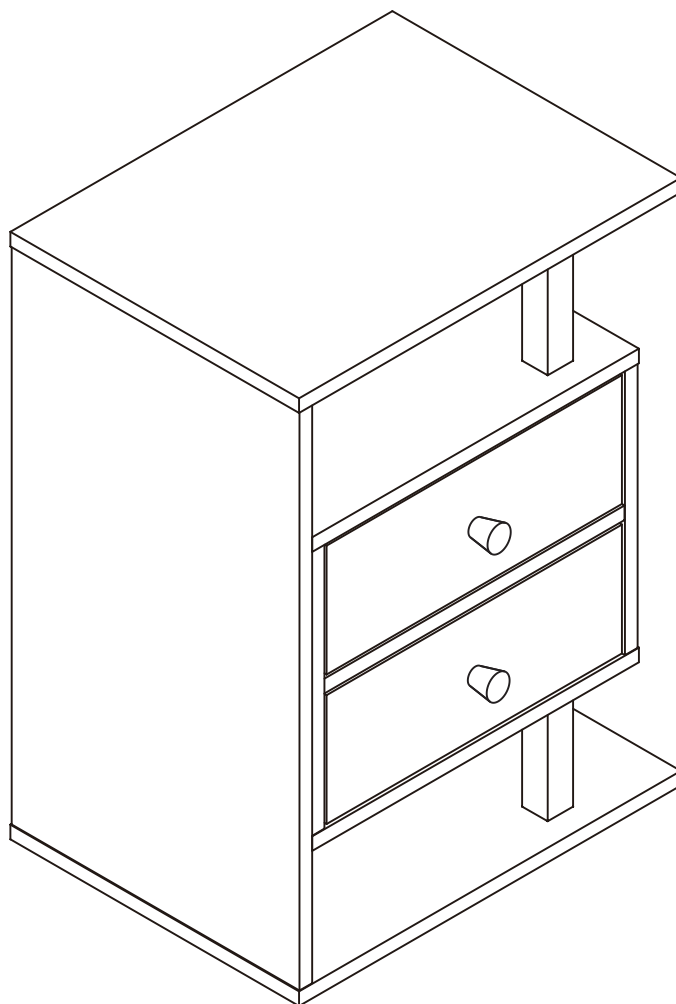


# INSTRUCTION MANUAL



Model: A26

Customer service email: [info@i-aplus.com](mailto:info@i-aplus.com)

## Attention :

Thank you very much for your purchase.

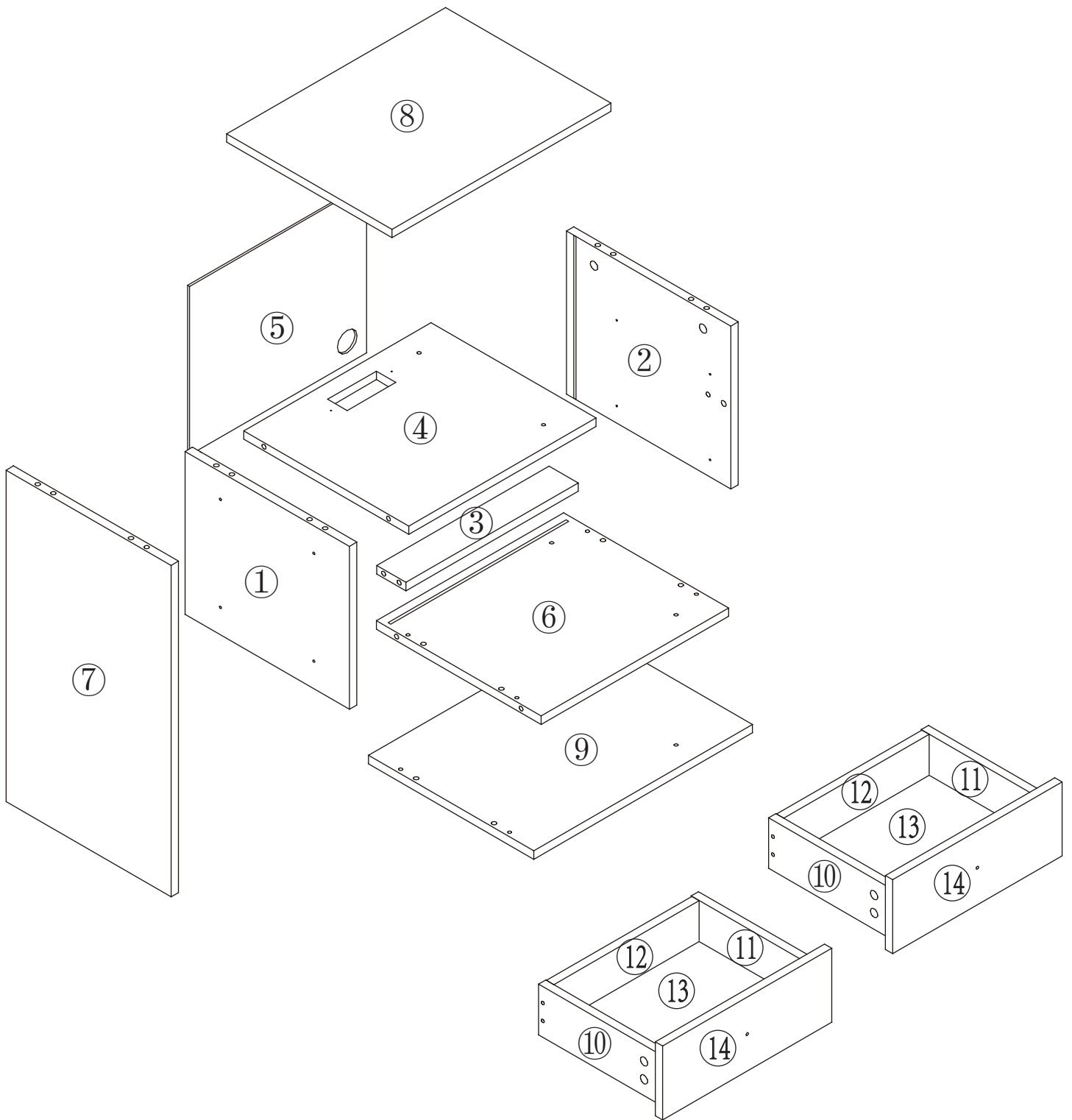
When the number of your order is more than 1, we will split your order and ship the goods separately to ensure the safety.

We promise to deliver at the same time, but the time of receipt may be slightly different due to logistics.

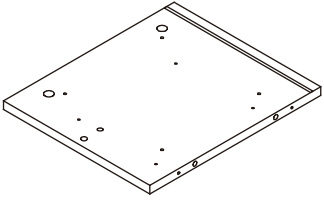
Each tracking number corresponds to only one cargo, you can contact [info@i-aplus.com](mailto:info@i-aplus.com) for more logistics information.

Thanks again for your understanding.

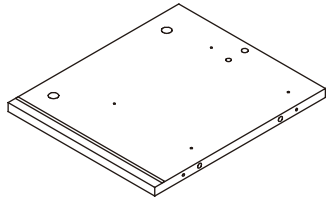
# BOARD IDENTIFICATION



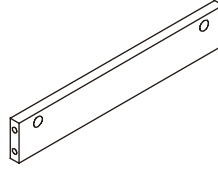
# PARTS LIST



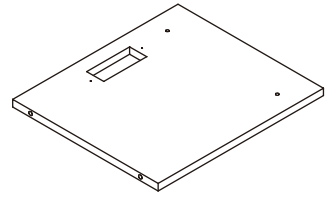
① X1



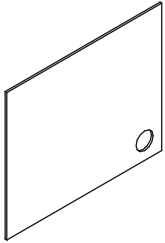
② X1



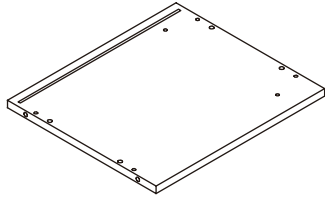
③ X1



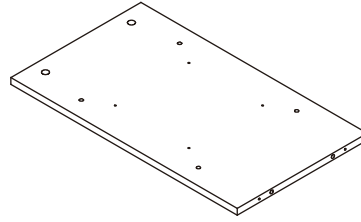
④ X1



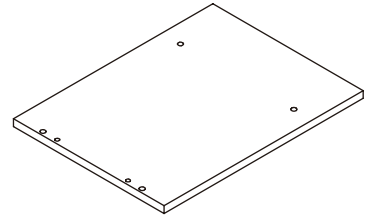
⑤ X1



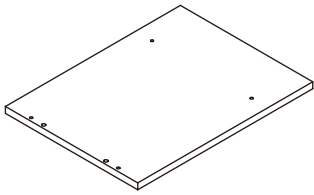
⑥ X1



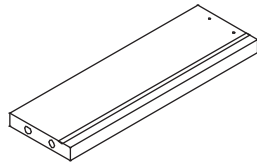
⑦ X1



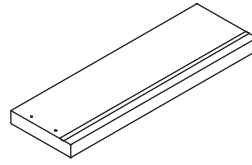
⑧ X1



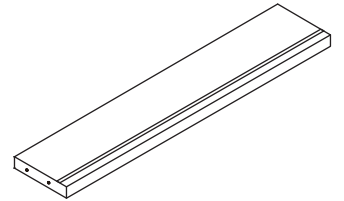
⑨ X1



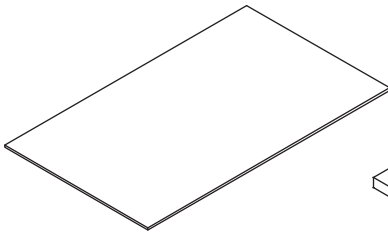
⑩ X1



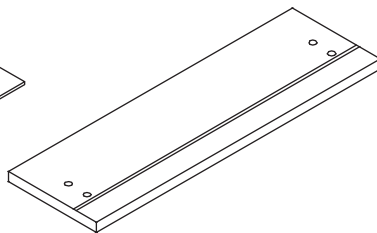
⑪ X2



⑫ X2

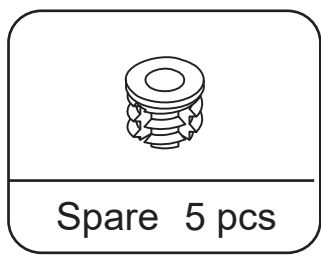
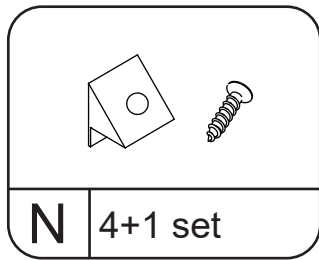
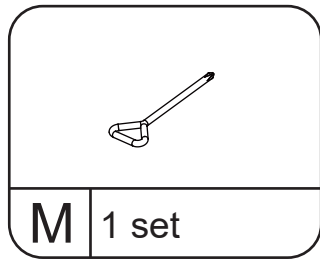
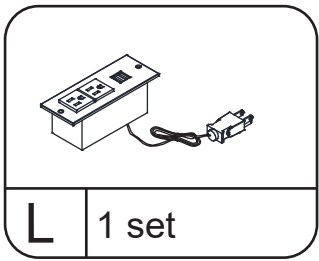
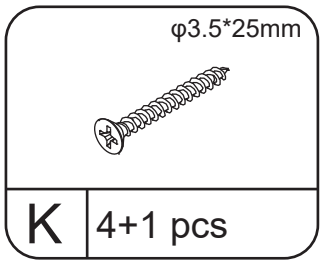
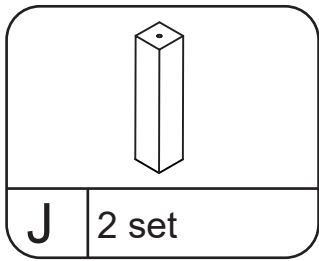
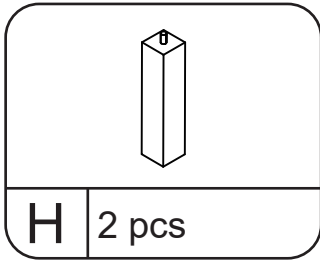
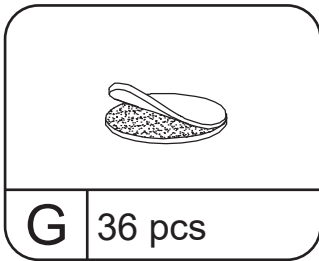
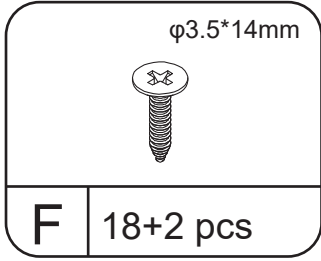
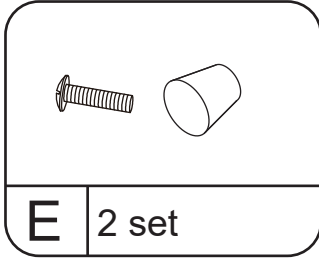
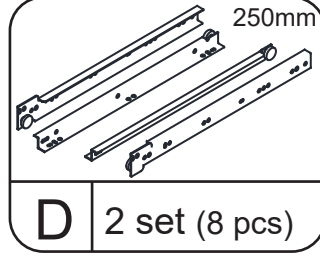
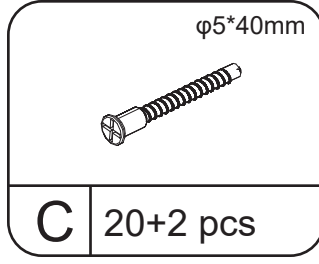
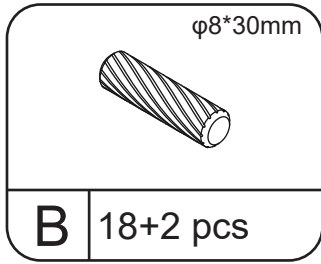
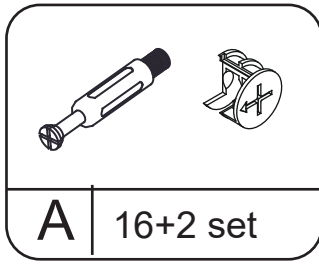


⑬ X2

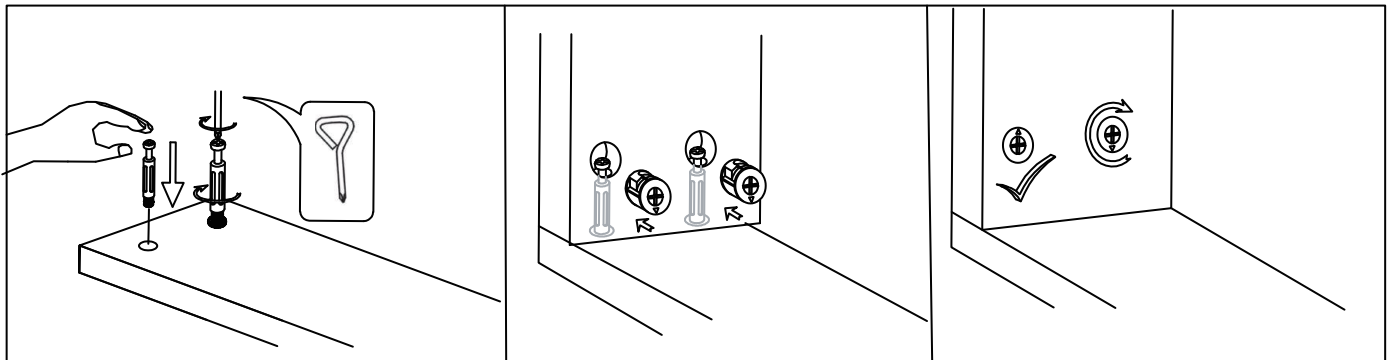


⑭ X2

# HARDWARE LIST



If the nut is missing from the panel,  
use a hammer to drive in the spare nut

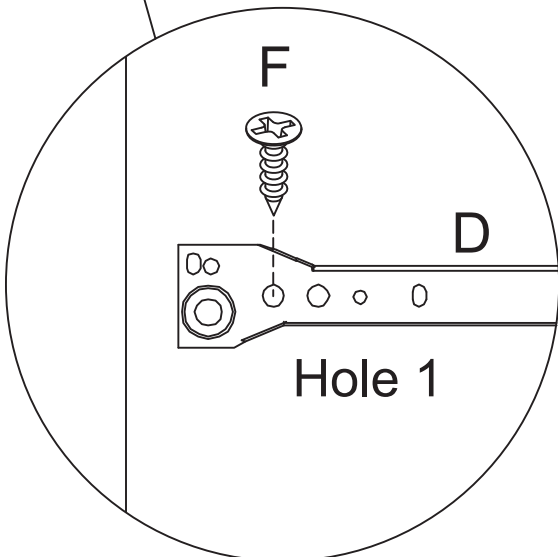
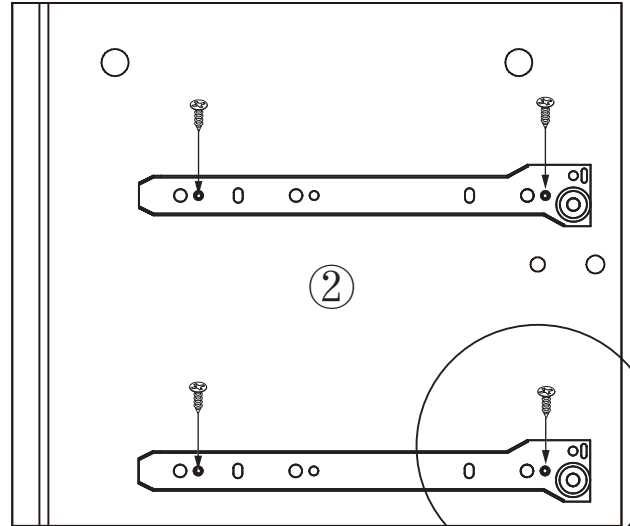
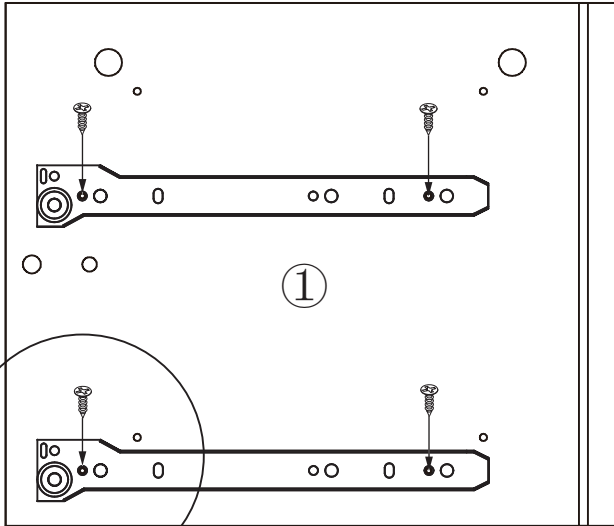


## Attention :

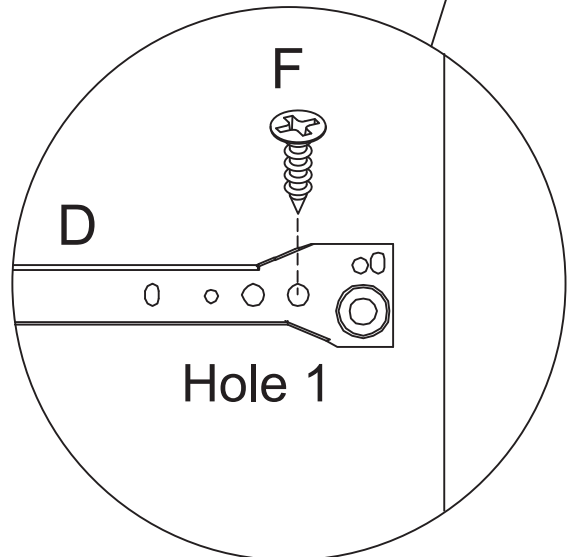
1. Please place the product on the carpet or carton to assemble to avoid scratching the floor;
2. During the installation process, keep away from children and pets, and avoid accidentally swallowing spare parts;
3. It is recommended to use a low-speed electric drill for installation.

# INSTRUCTION MANUAL

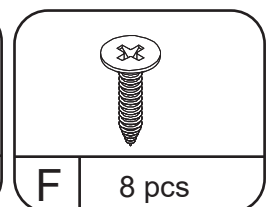
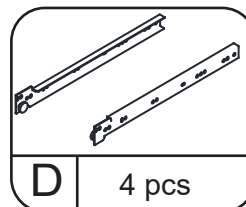
## Step 1



Outer rail

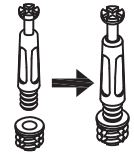
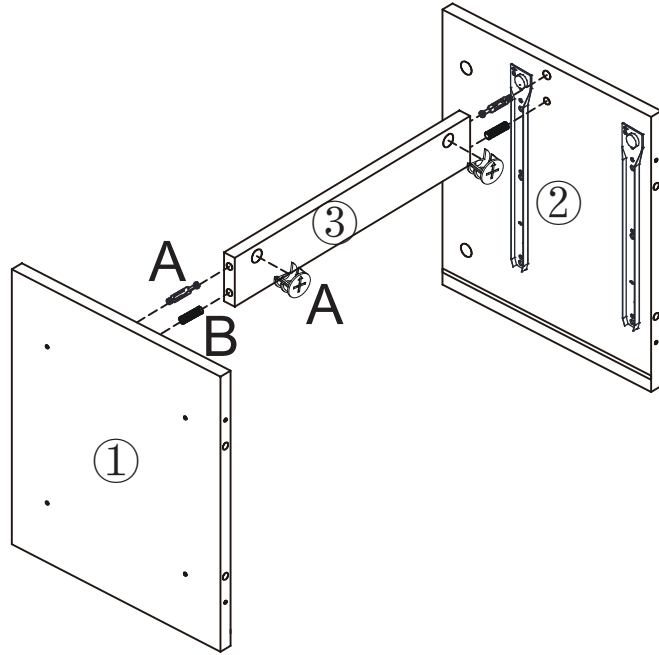


Outer rail

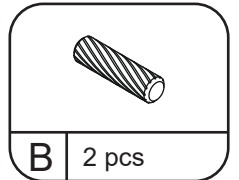
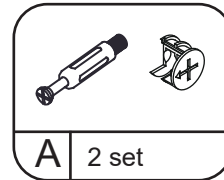
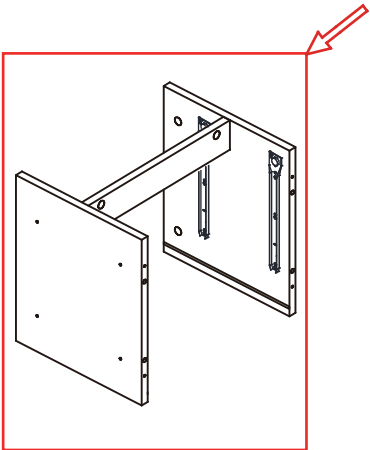
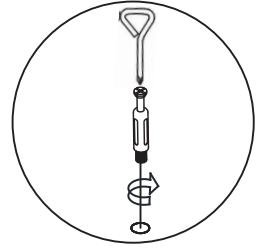


# INSTRUCTION MANUAL

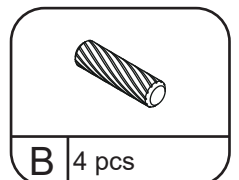
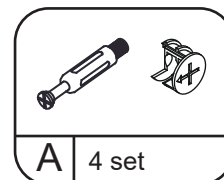
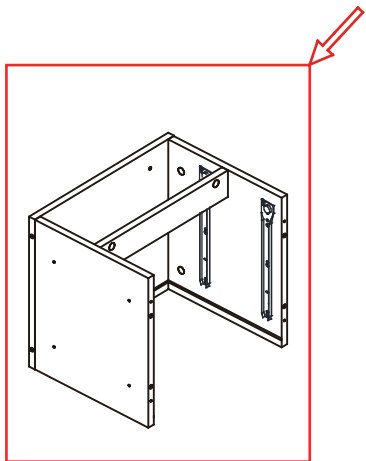
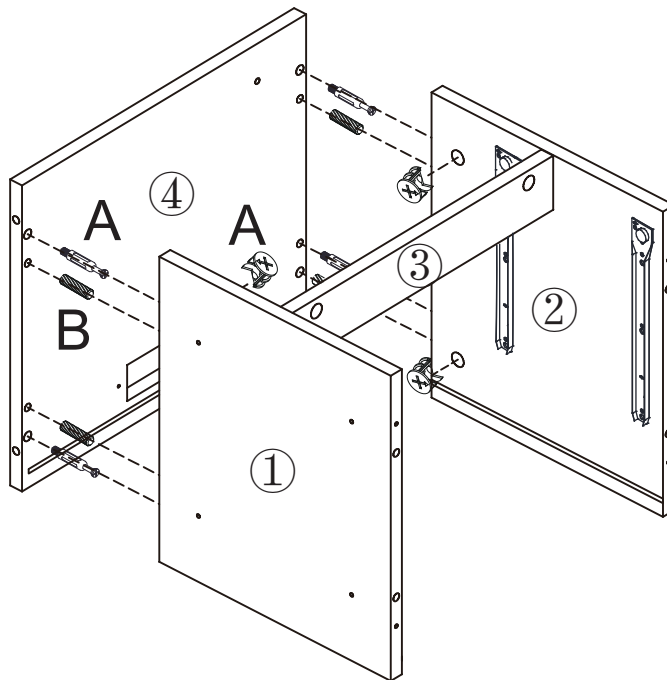
## Step 2



(Attention: Cam bolt & Insert nut need to be put together)

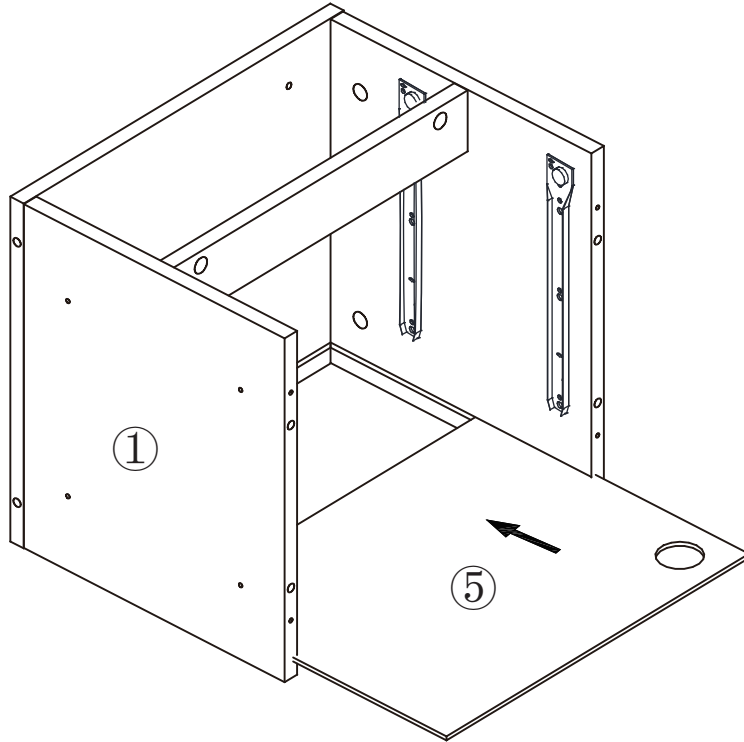
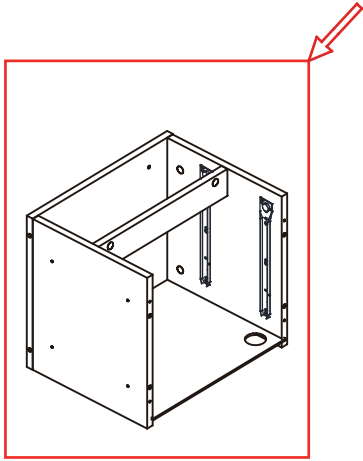


## Step 3

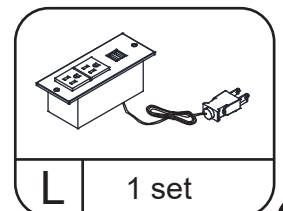
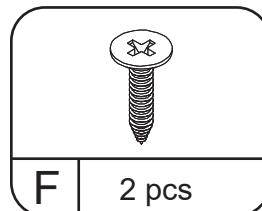
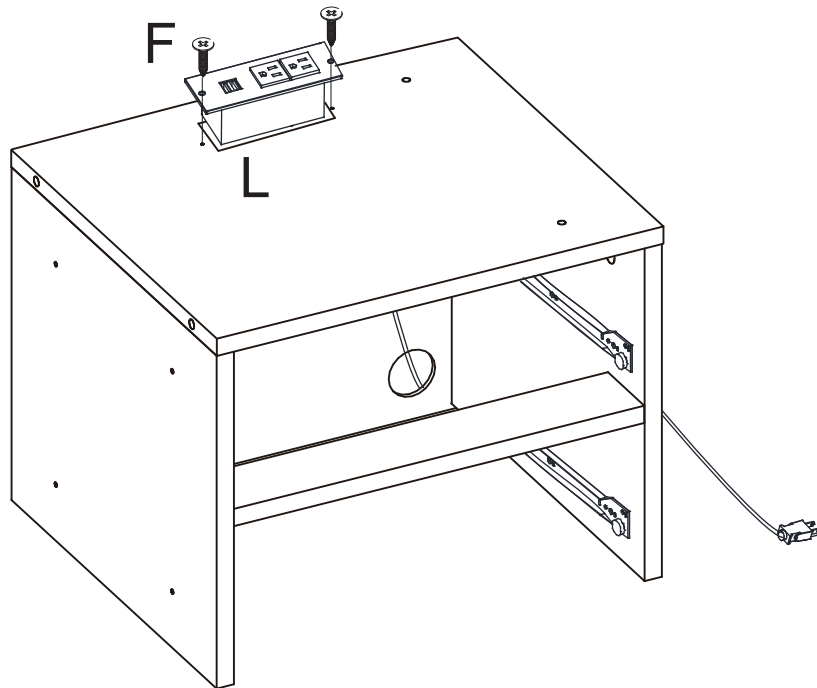
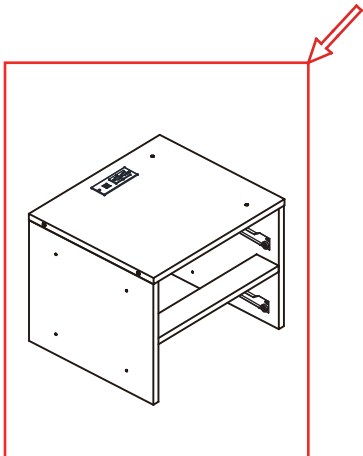


# INSTRUCTION MANUAL

## Step 4

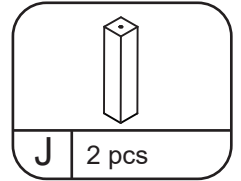
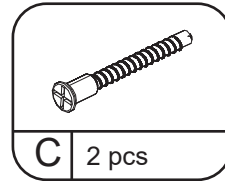
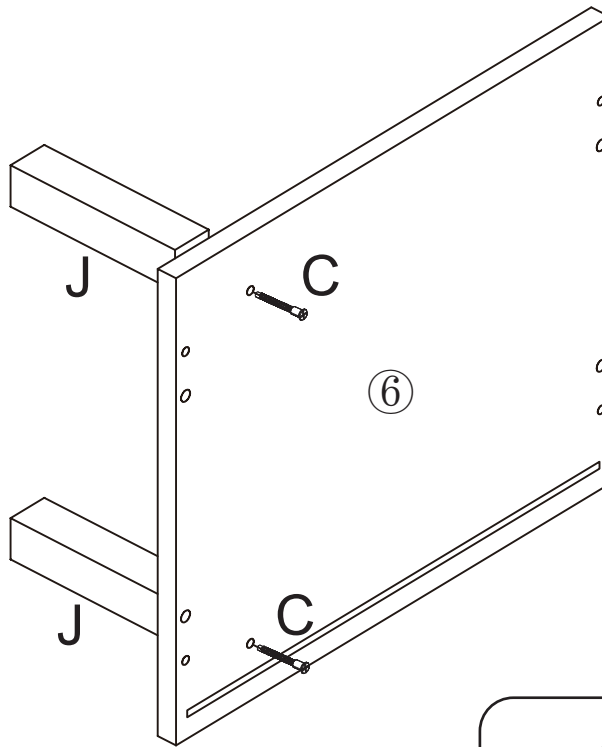
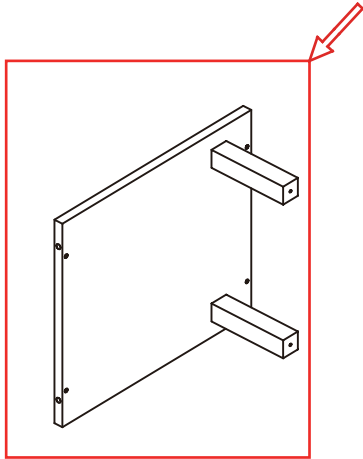


## Step 5

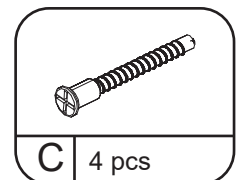
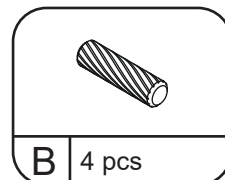
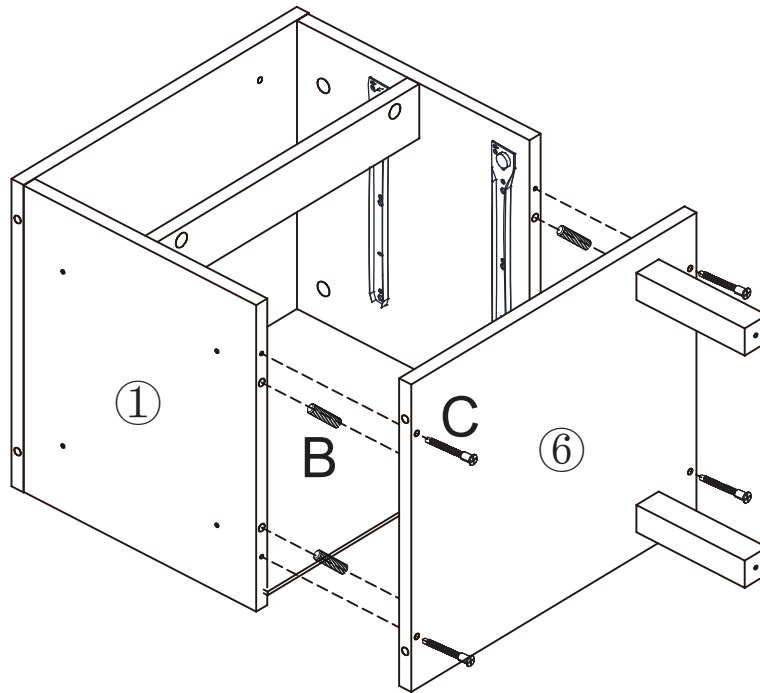
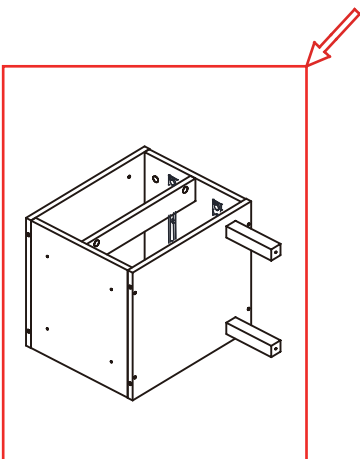


# INSTRUCTION MANUAL

## Step 6



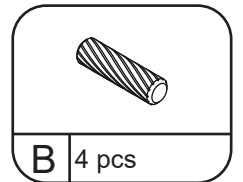
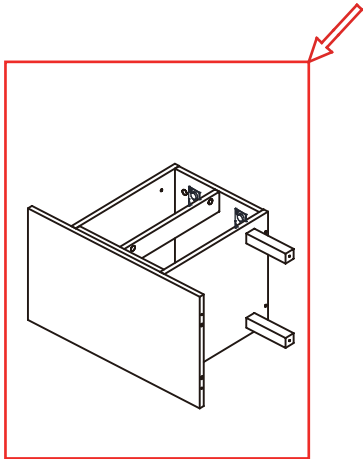
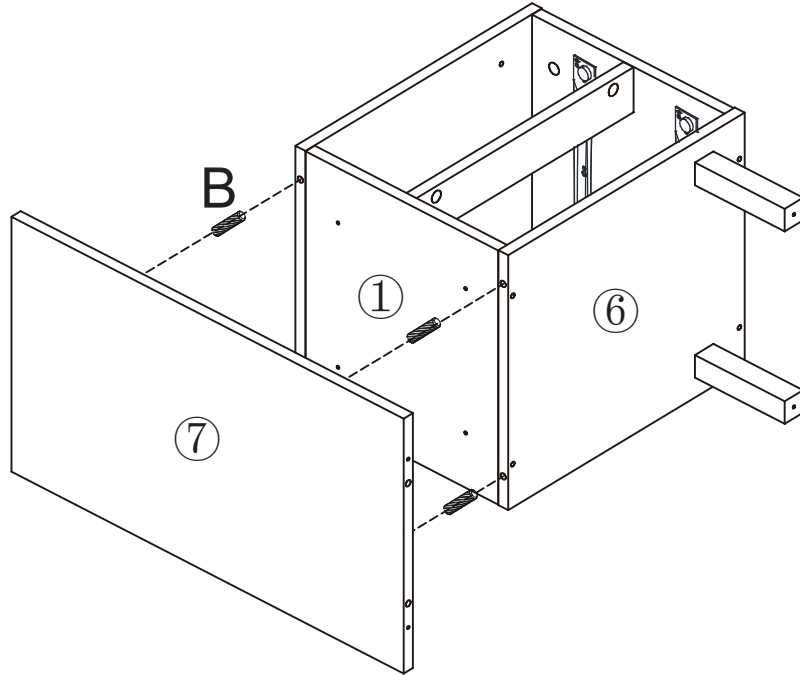
## Step 7



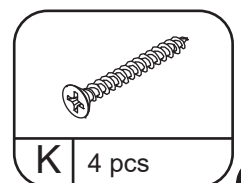
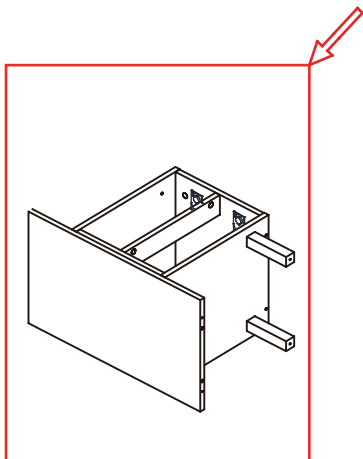
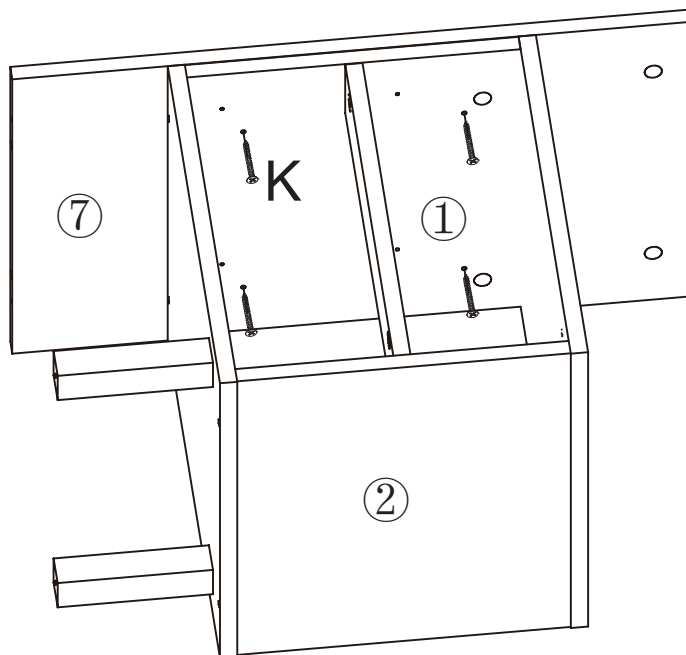


# INSTRUCTION MANUAL

## Step 8

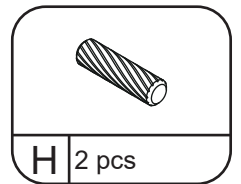
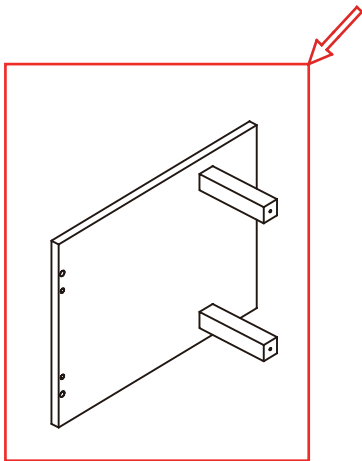
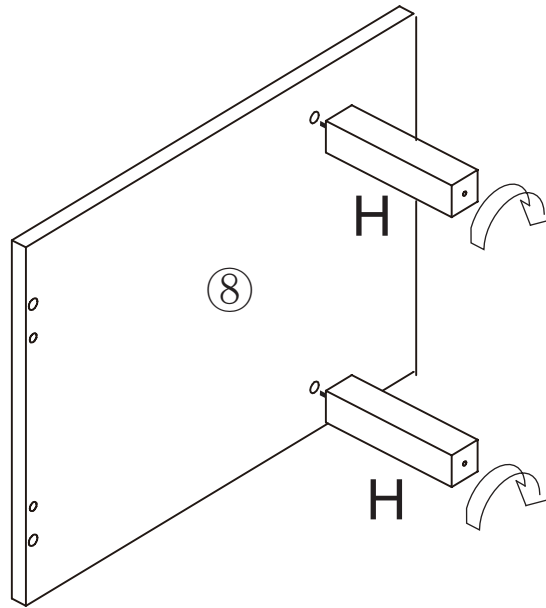


## Step 9

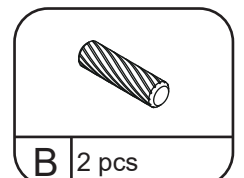
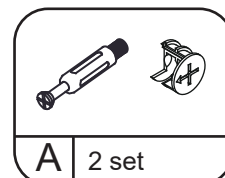
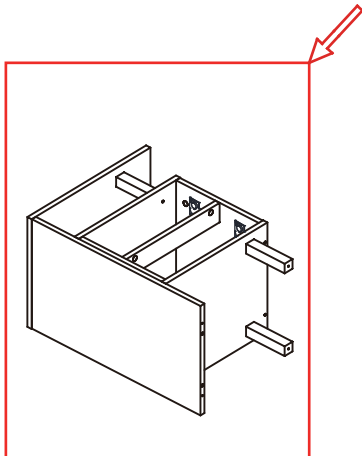
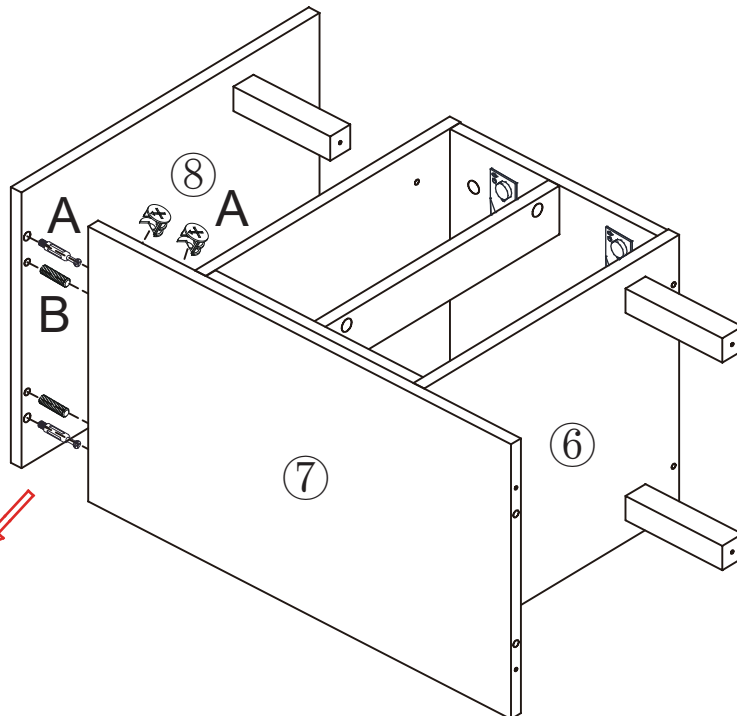


# INSTRUCTION MANUAL

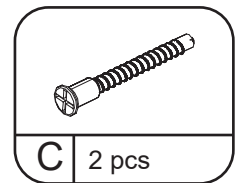
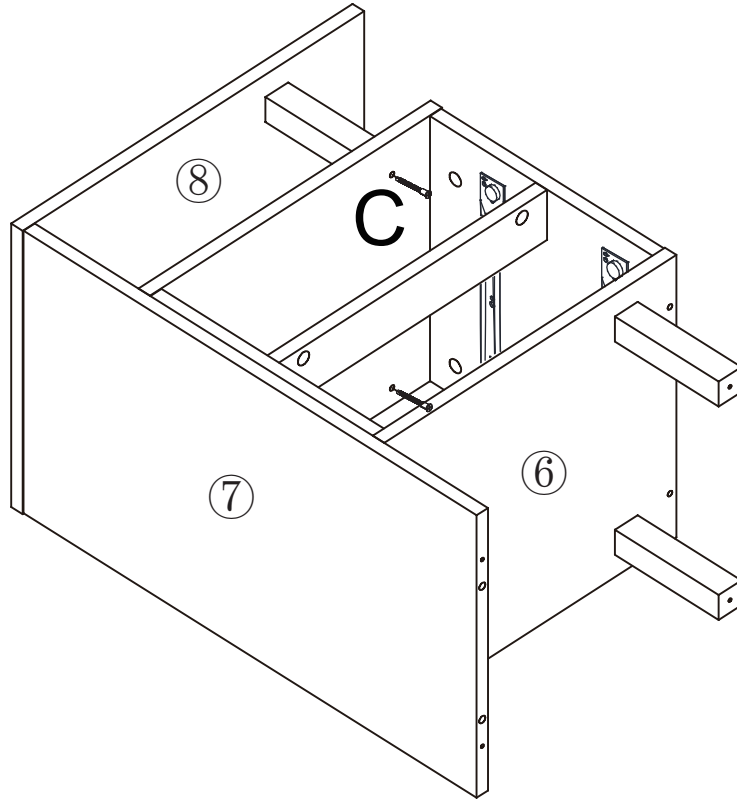
## Step 10



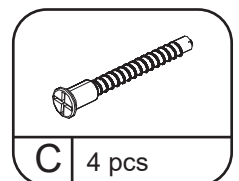
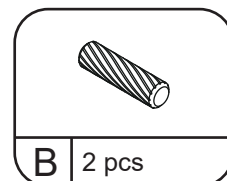
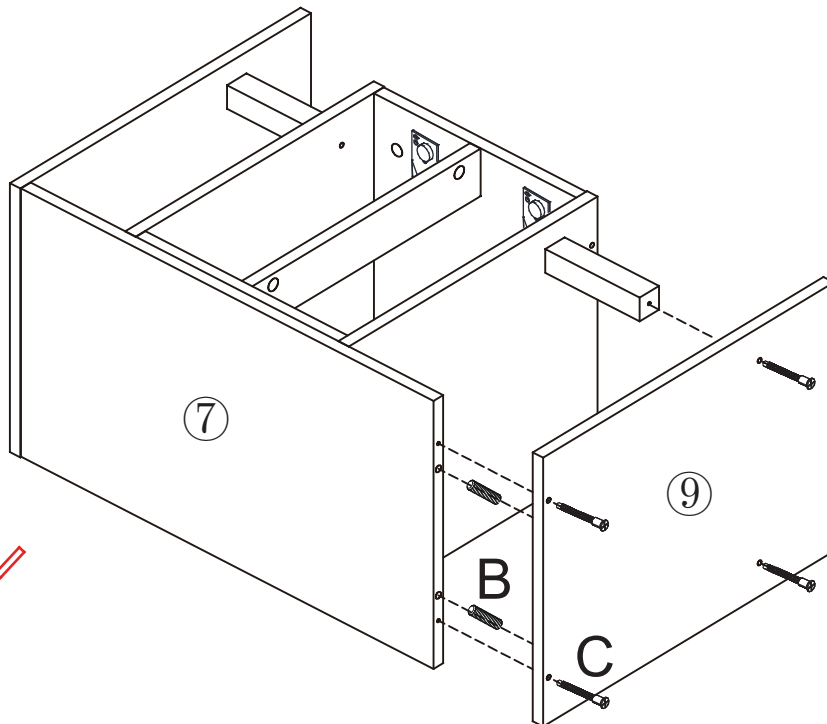
## Step 11



## Step 12

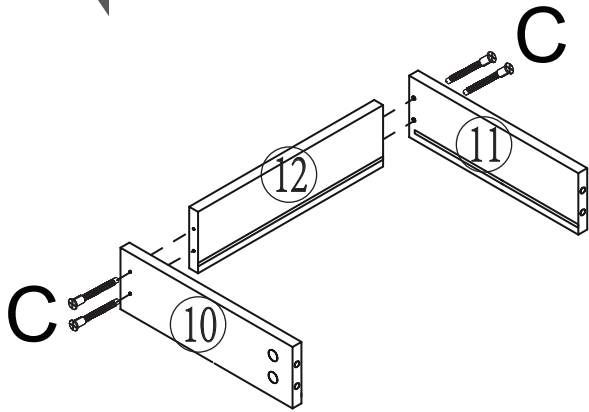


## Step 13

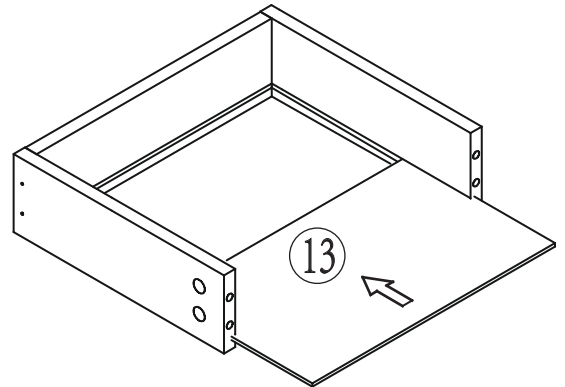


# INSTRUCTION MANUAL

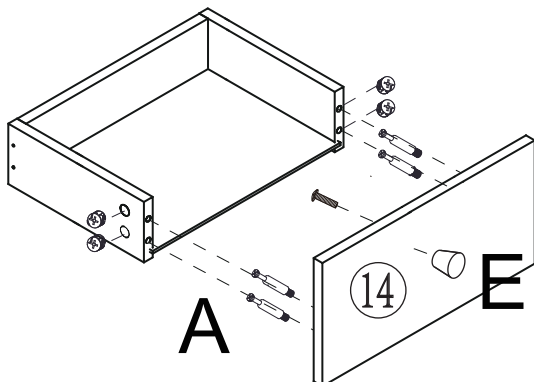
## Step 14 X2



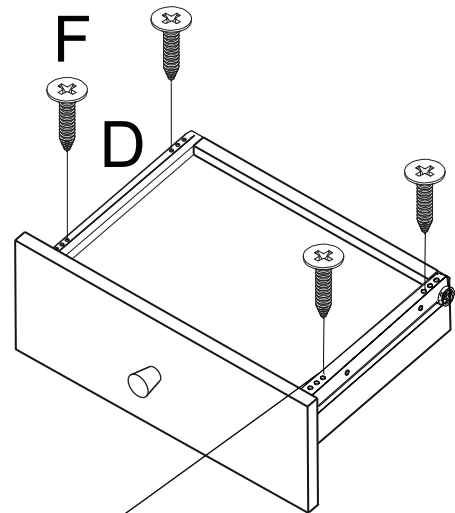
1. Connect part 10 & 11 to 12



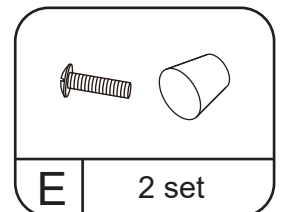
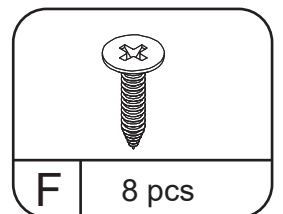
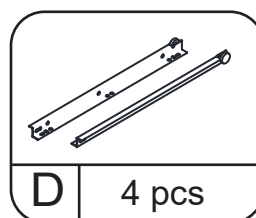
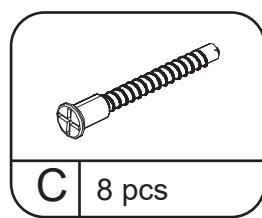
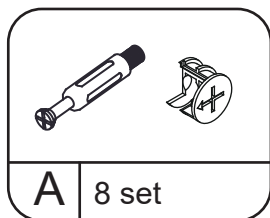
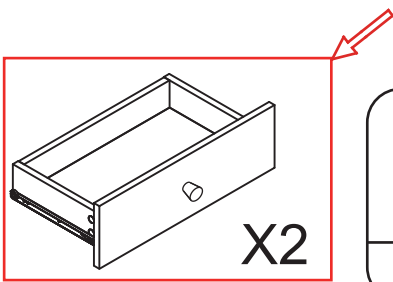
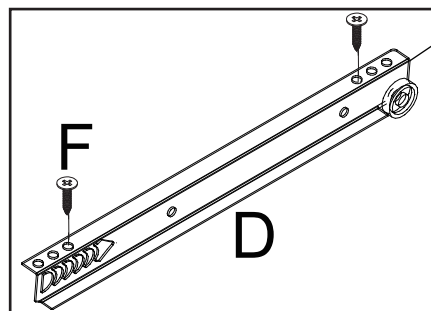
2. Insert part 13



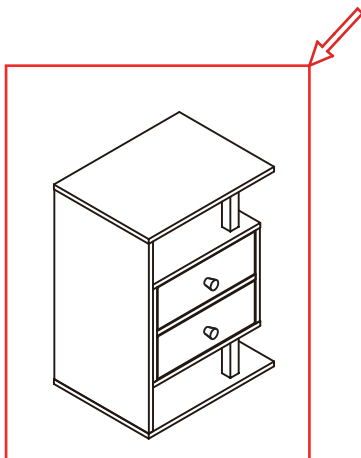
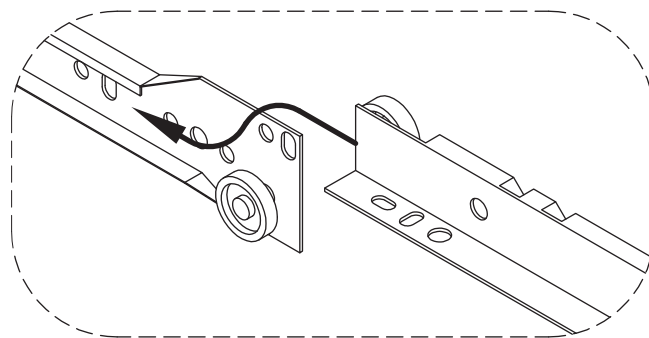
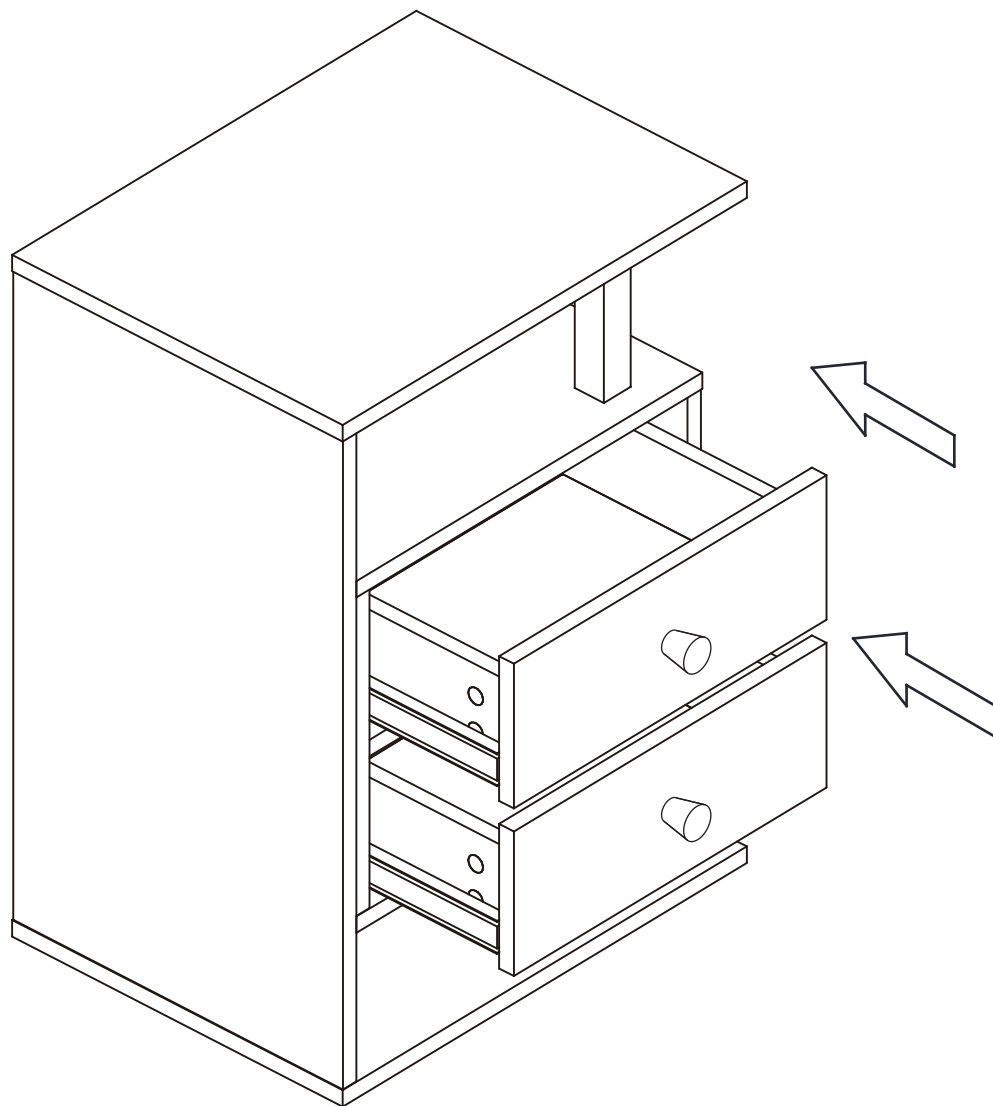
3. Connect Part 14



4. Install hardware "D" to part 10 & 11 according to the pre-drilled holes



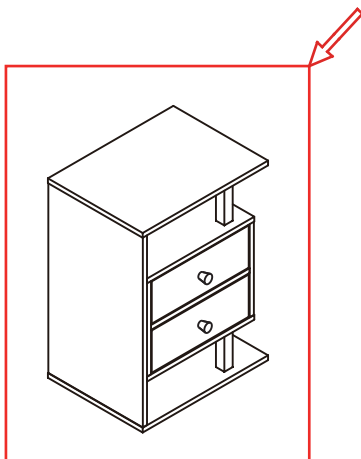
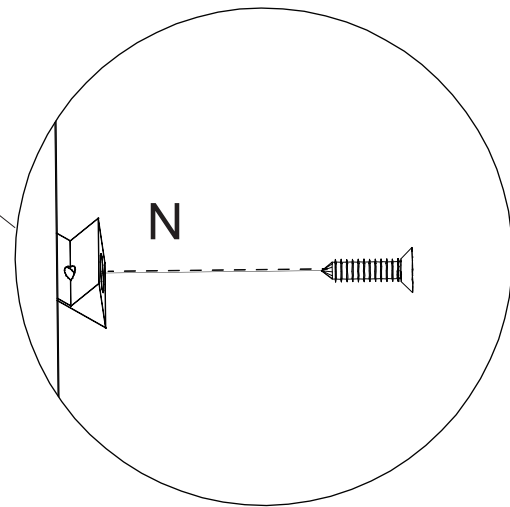
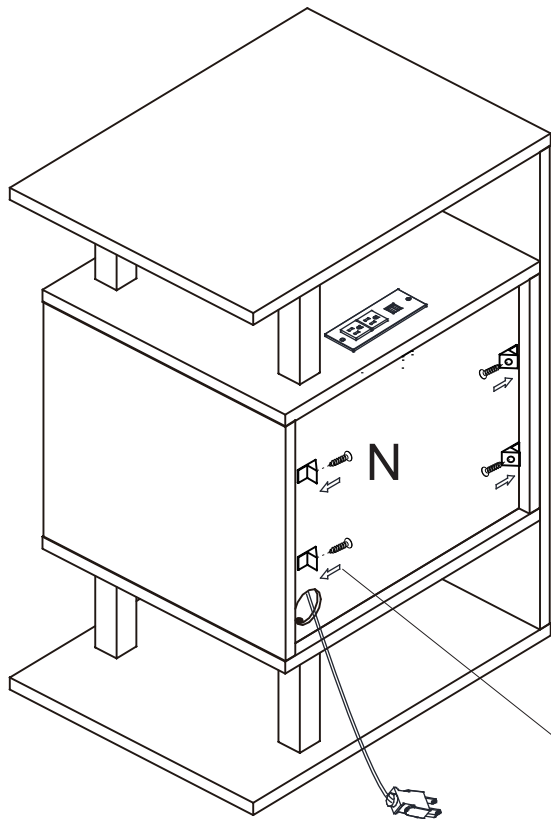
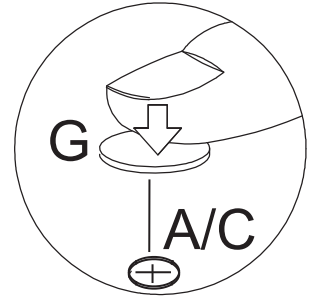
Step 15



# INSTRUCTION MANUAL

## Step 16

Please stick the hardware "G" on the exposed cam lock hole that makes your product more beautiful.



As the picture shows,  
Fix hardware "N" into the gap with screws  
to make the back panel more stable.

