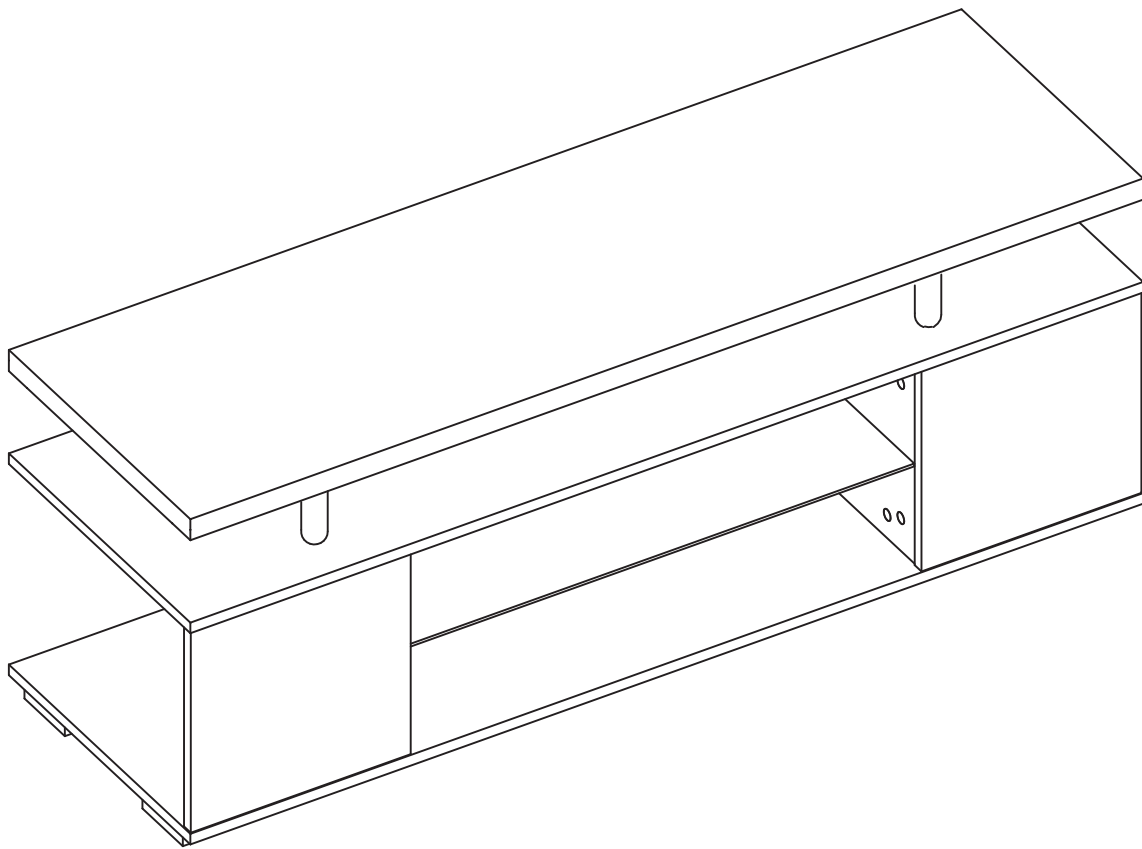
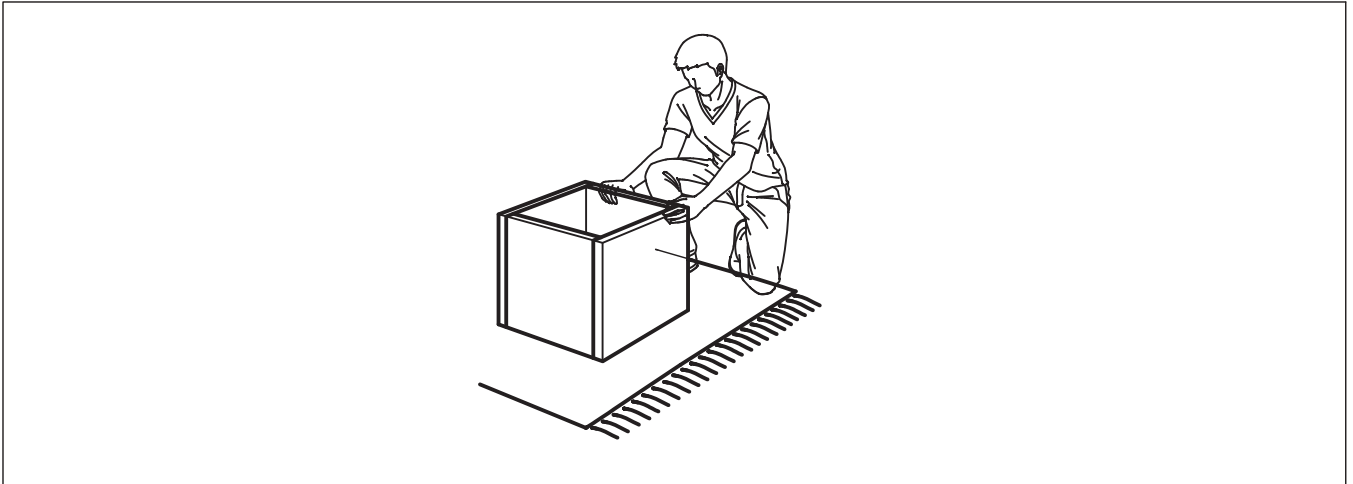


# INSTRUCTION MANUAL

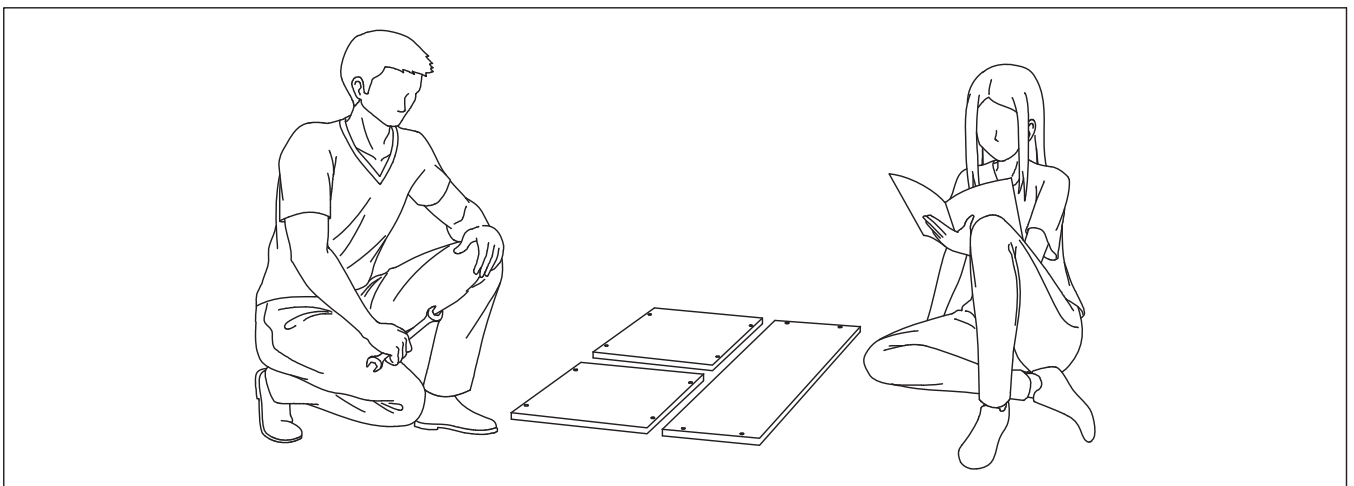


Model: A16-4 ; A16-5 ; A16-6

Customer service email: [info@i-aplus.com](mailto:info@i-aplus.com)

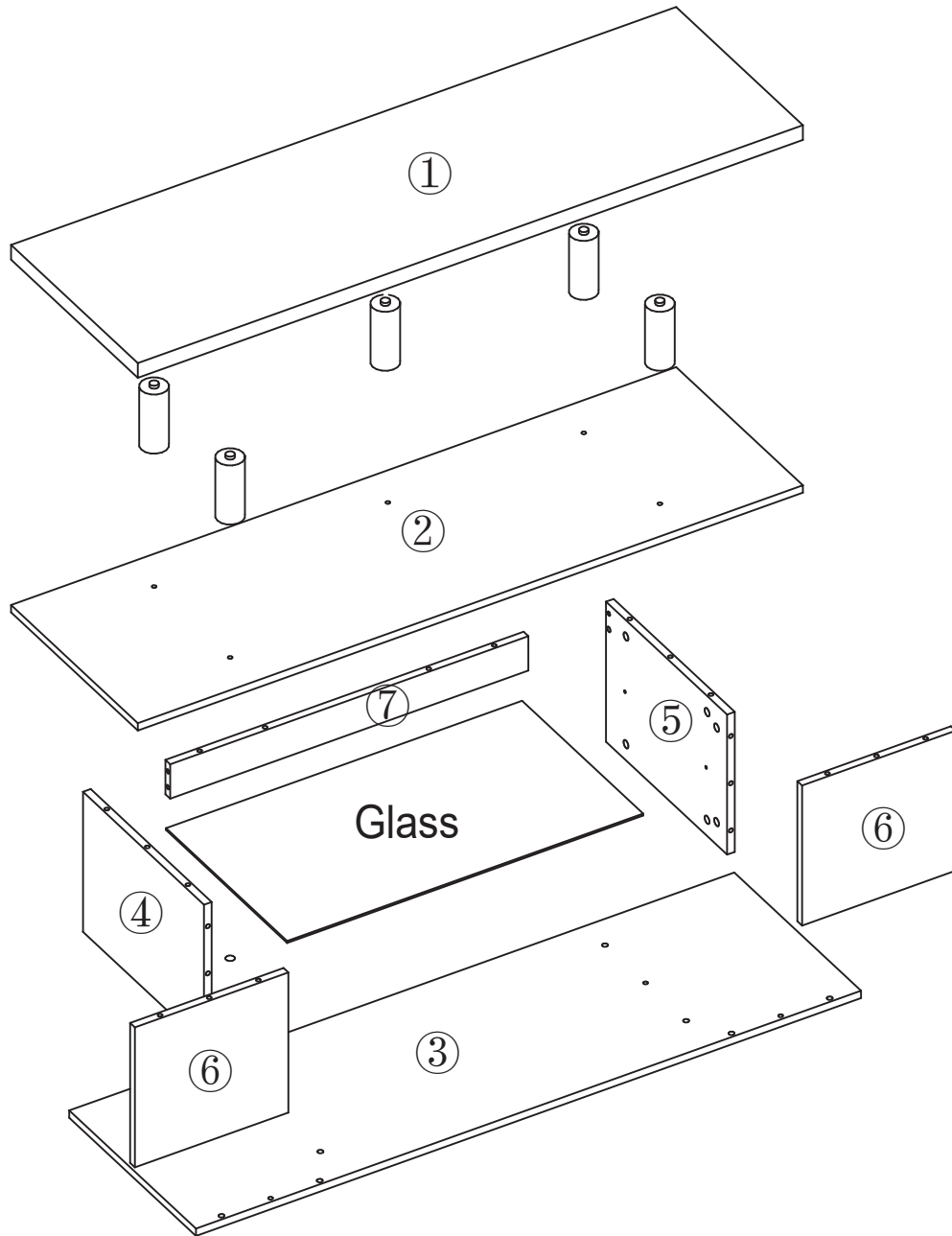


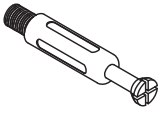
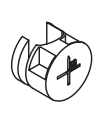
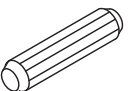


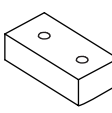

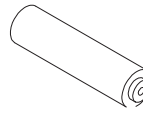


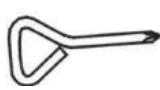

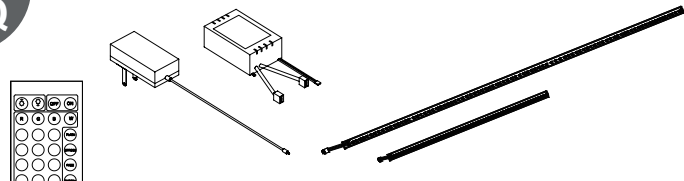
Assemble the furniture on empty carton, carpet, or rug to prevent scratches or damage.



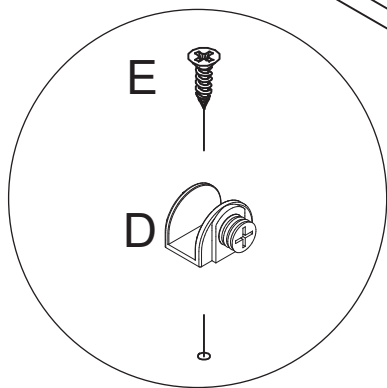
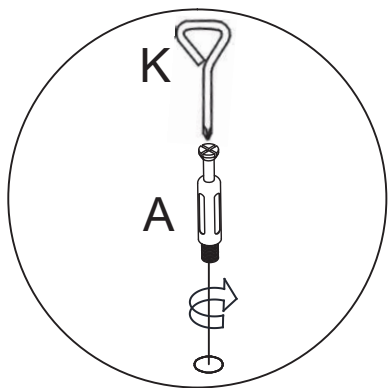
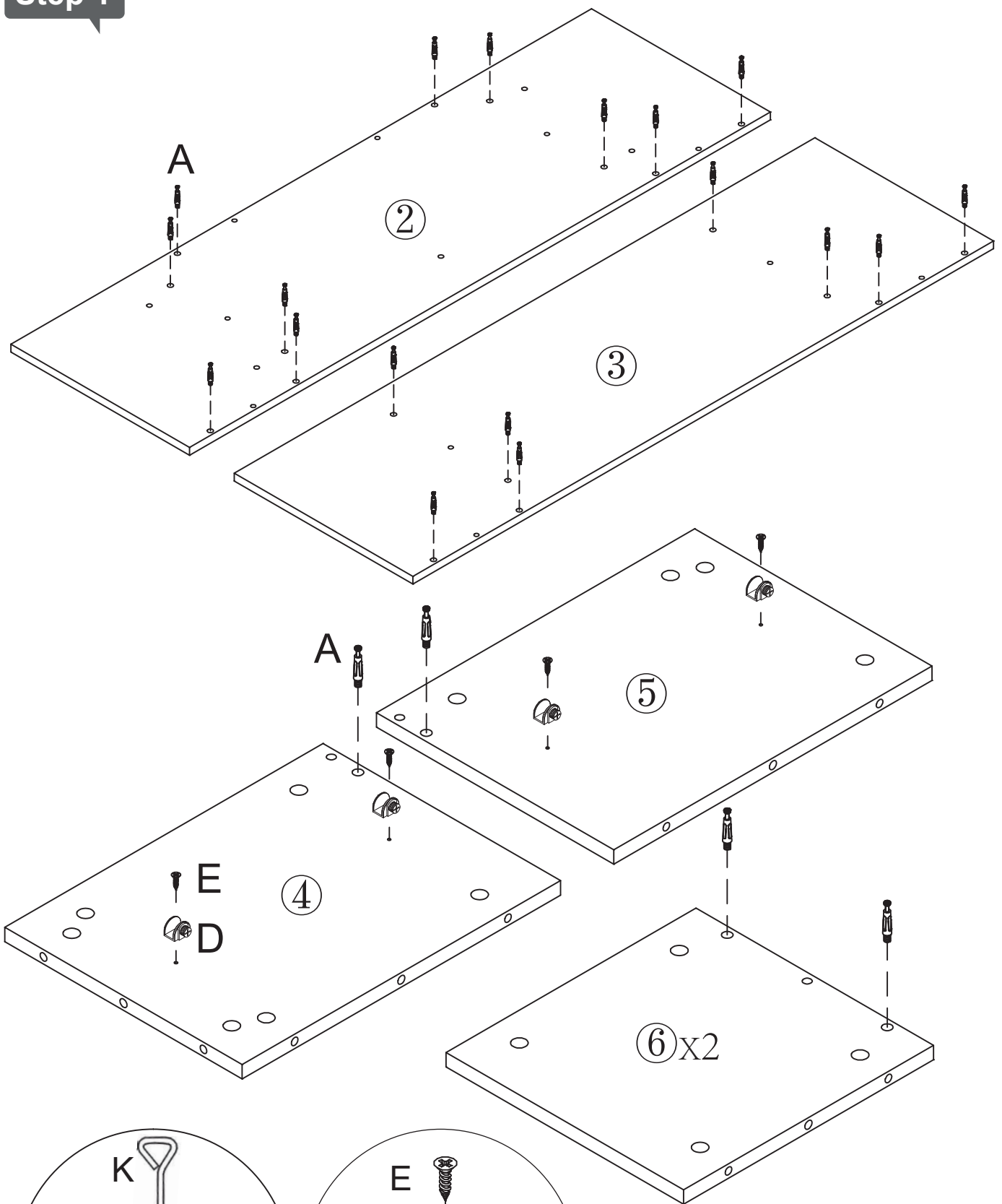
This furniture requires 2 people to assemble.  
Make sure on parts are missing or damaged before assembly.




# PARTS LIST



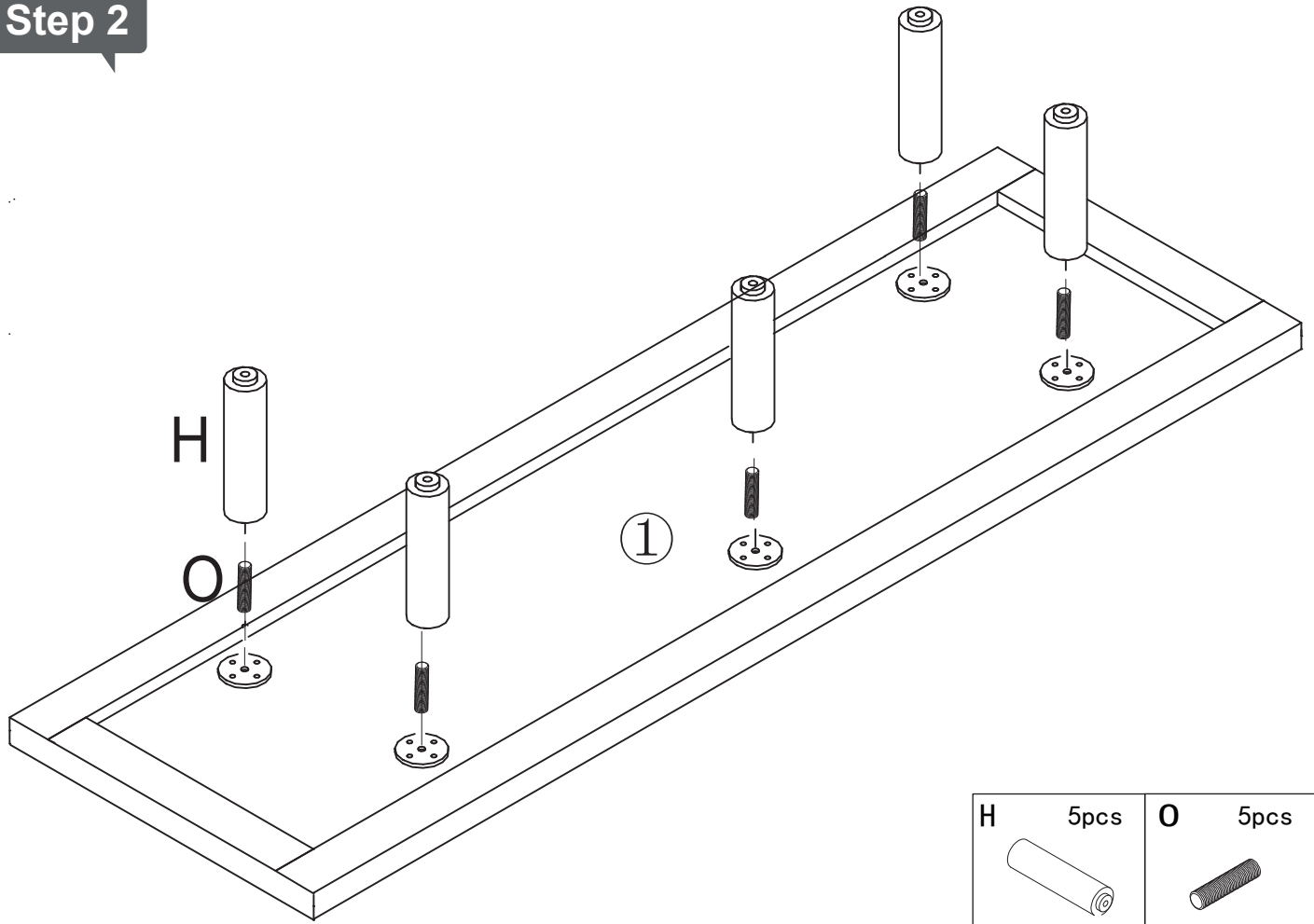
<b>A</b>  24+2pcs	<b>B</b>  24+2pcs	<b>C</b> $\phi 8 \times 30\text{mm}$  14+2pcs	<b>D</b>  4+1pcs	<b>E</b> M3*14  4+1pcs
<b>N</b>  5pcs	<b>P</b> M4*40  10+2pcs	<b>H</b> $\Phi 40 \times 120$  5pcs	<b>O</b> M8*20  5+1pcs	<b>J</b> M8*12  5+1pcs
<b>K</b>  1pcs	<b>L</b>  24pcs	<b>Q</b>  1set		

Step 1

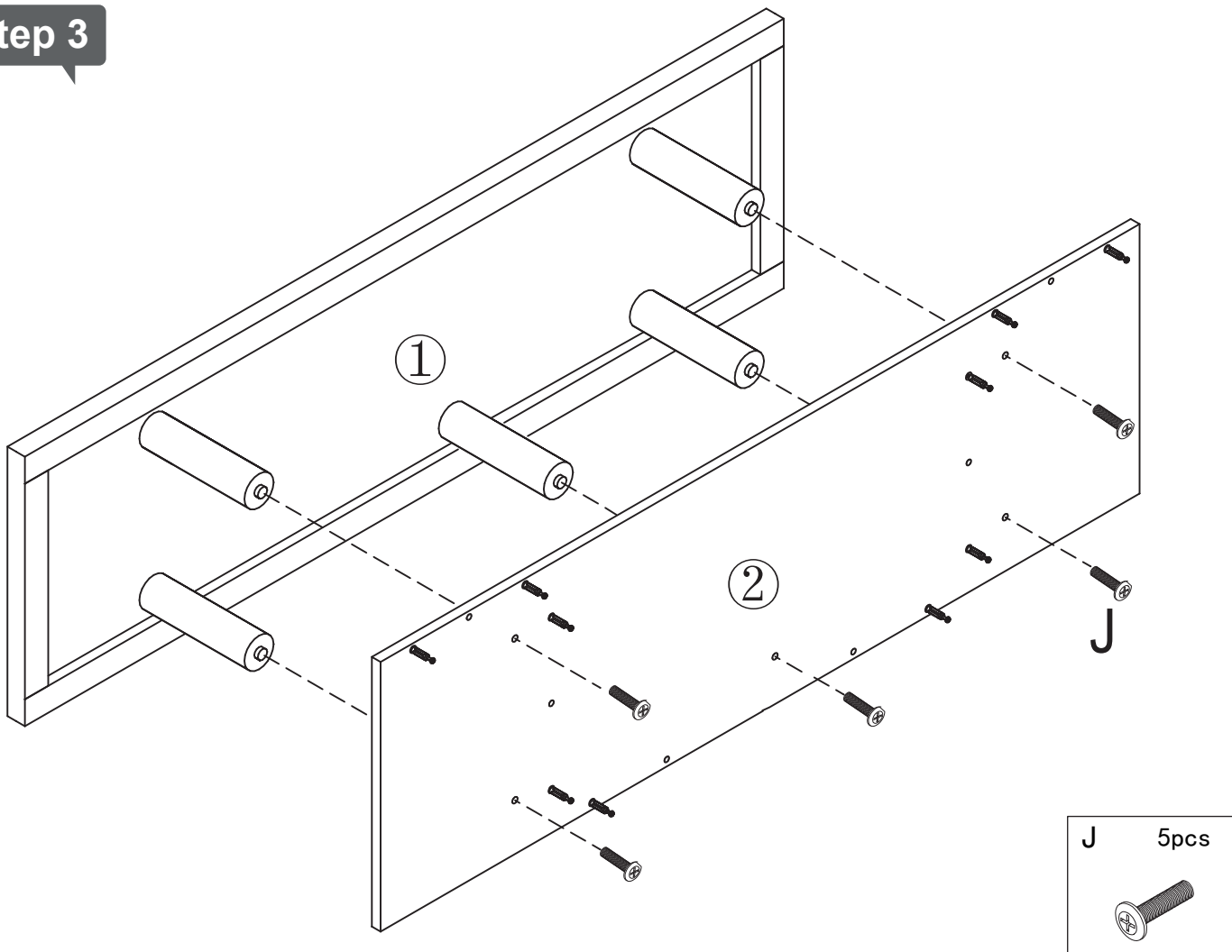


A	24pcs	D	4pcs	E	4pcs
					

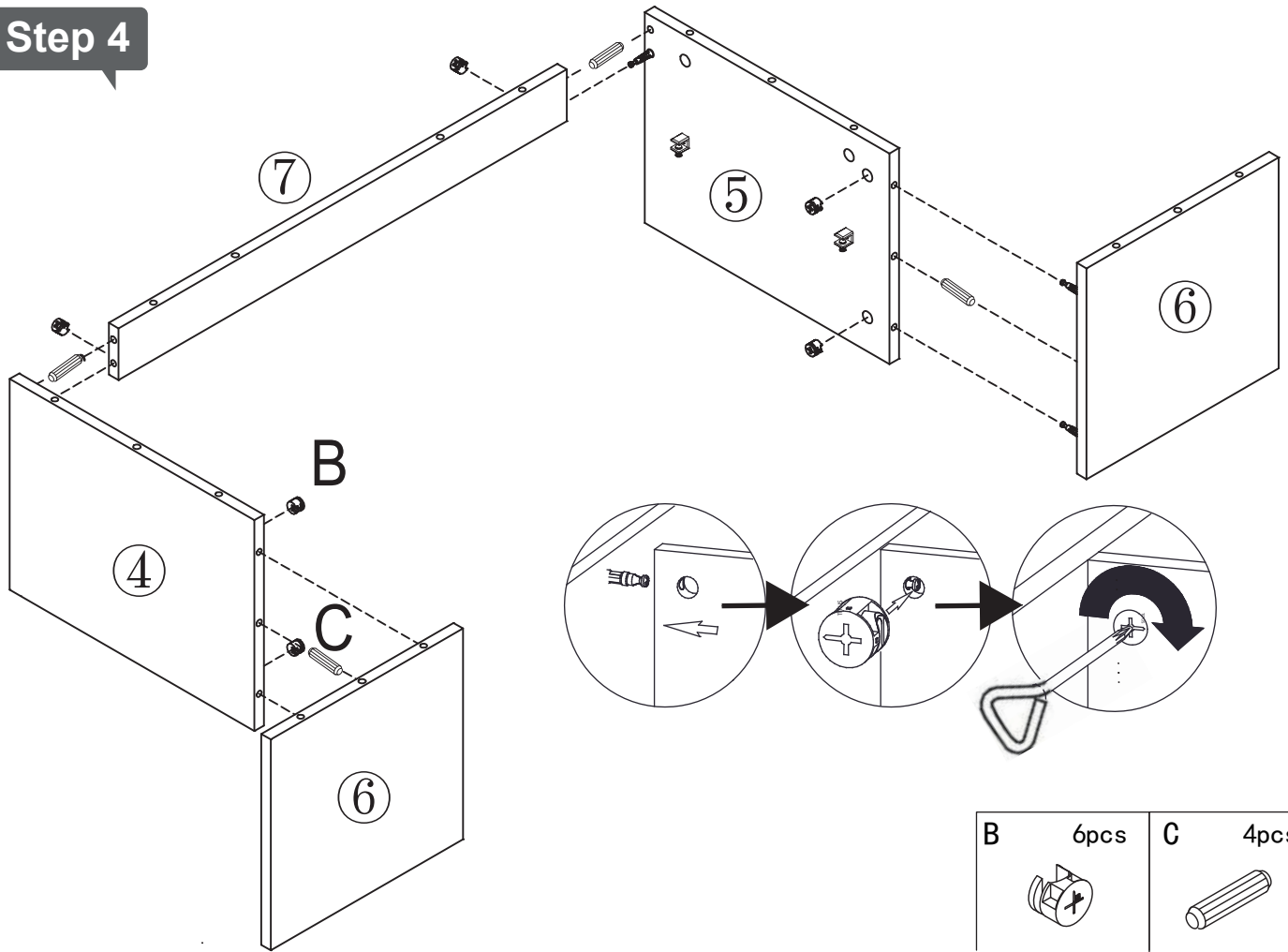
Step 2


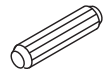


Step 3

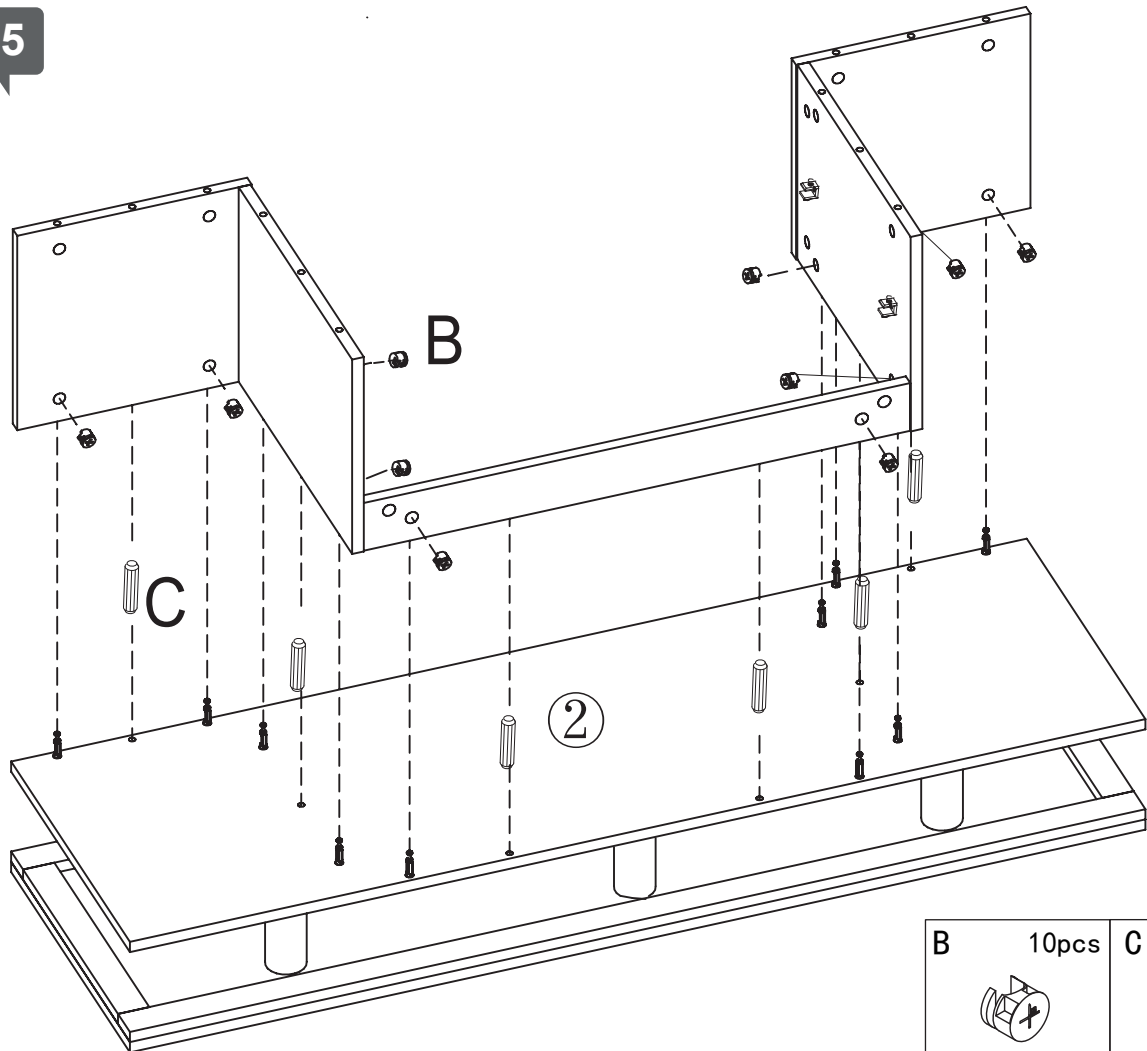



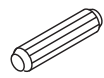
Step 4



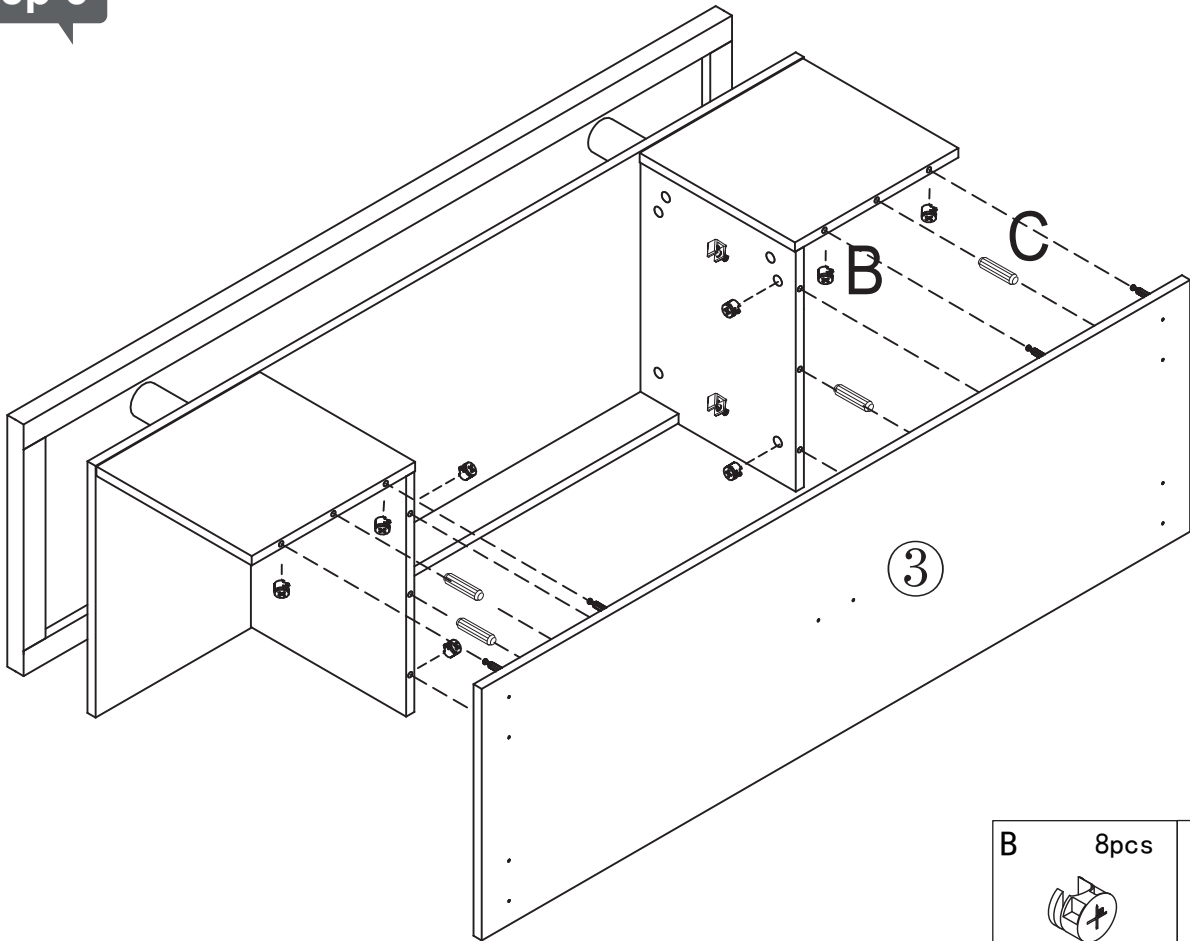
<b>B</b>	6pcs	<b>C</b>	4pcs
			


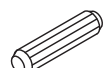
Step 5



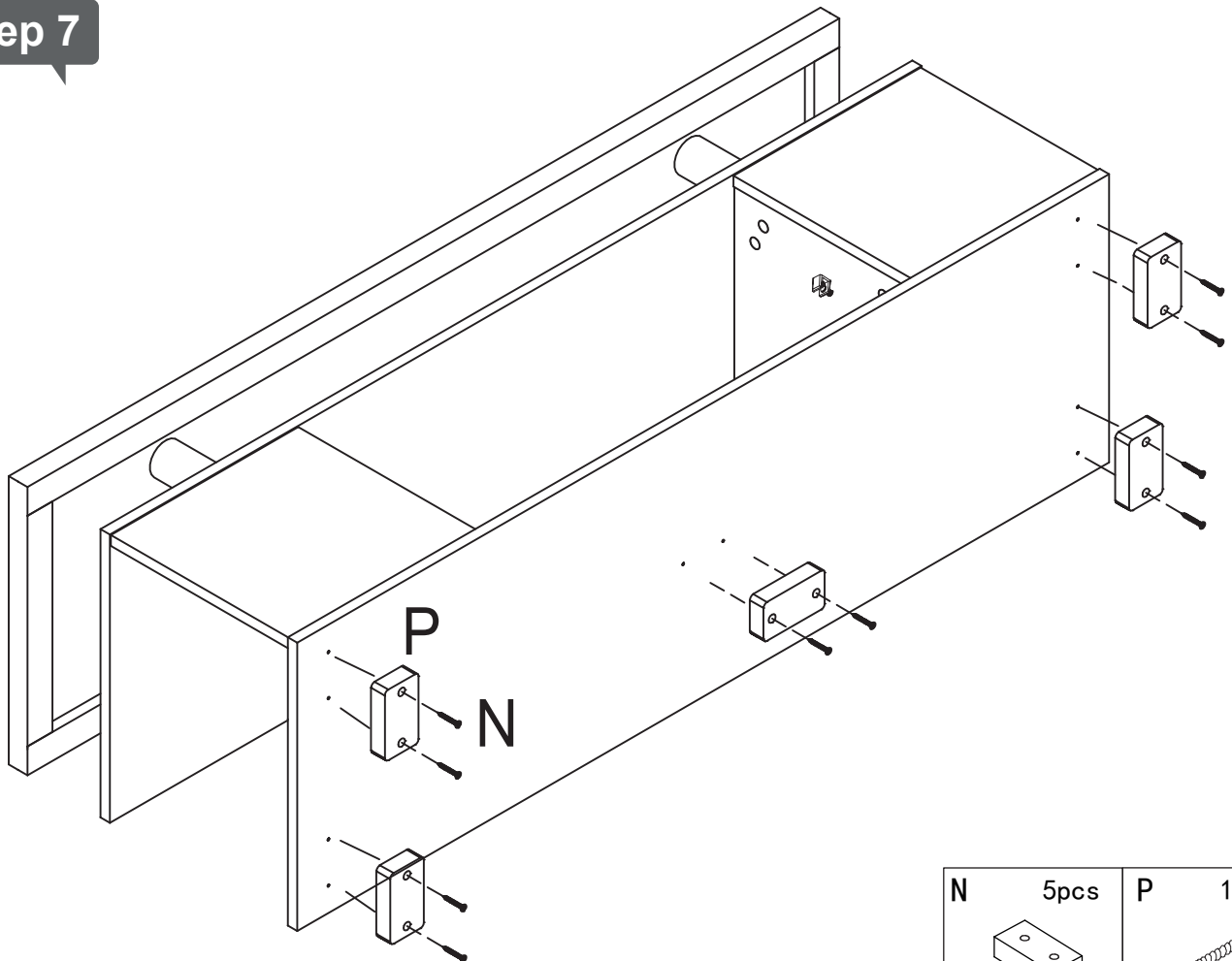
<b>B</b>	10pcs	<b>C</b>	6pcs
			

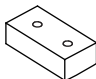

Step 6



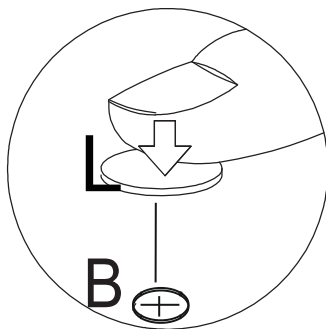
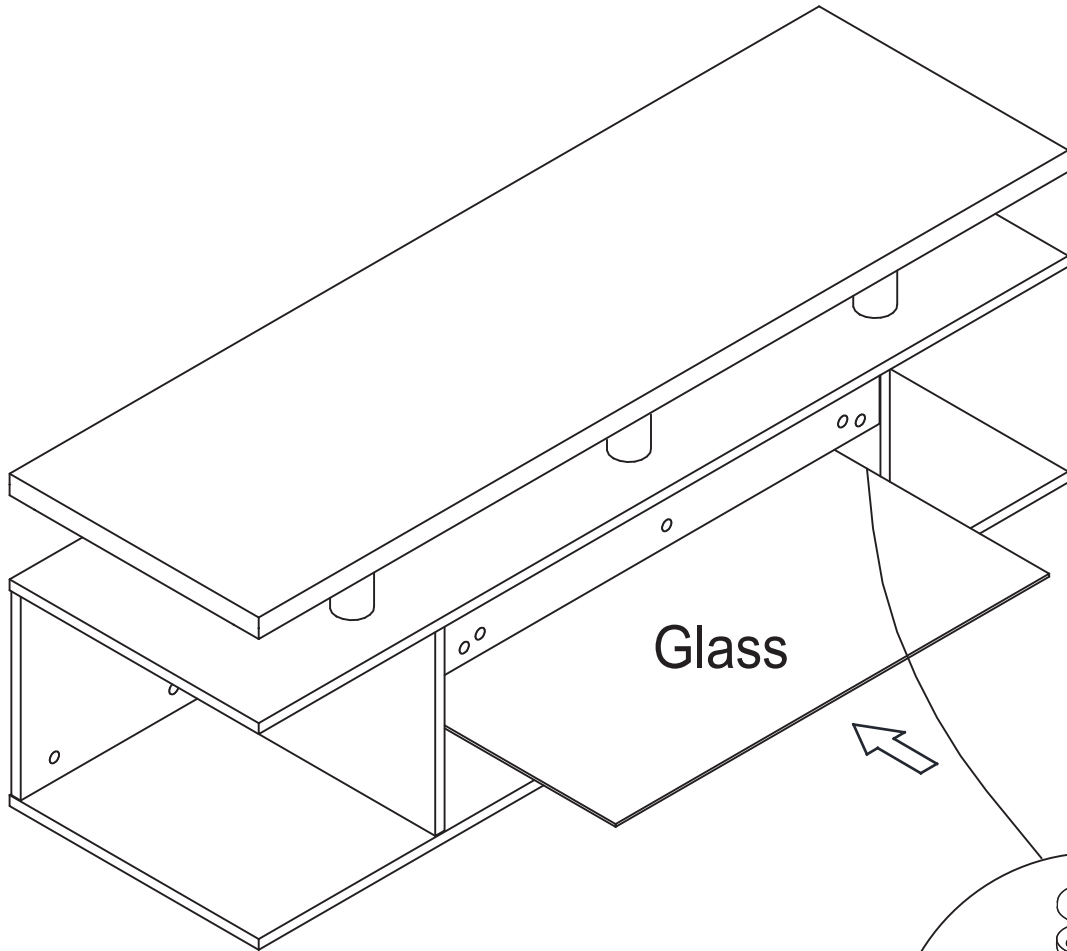
<b>B</b>	8pcs	<b>C</b>	4pcs
			

Step 7



<b>N</b>	5pcs	<b>P</b>	10pcs
			

Step 8

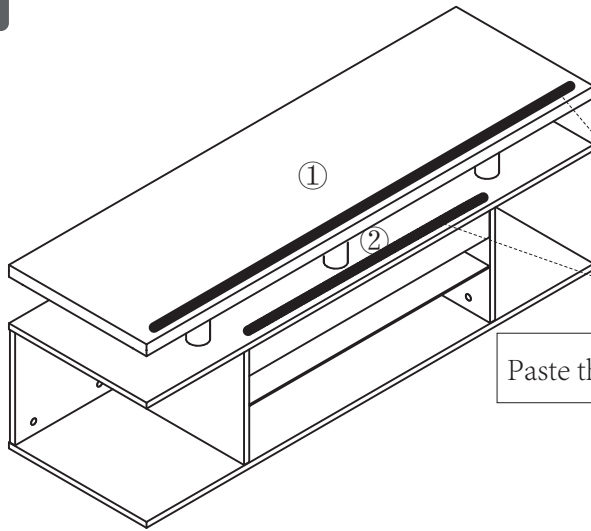


L 24pcs

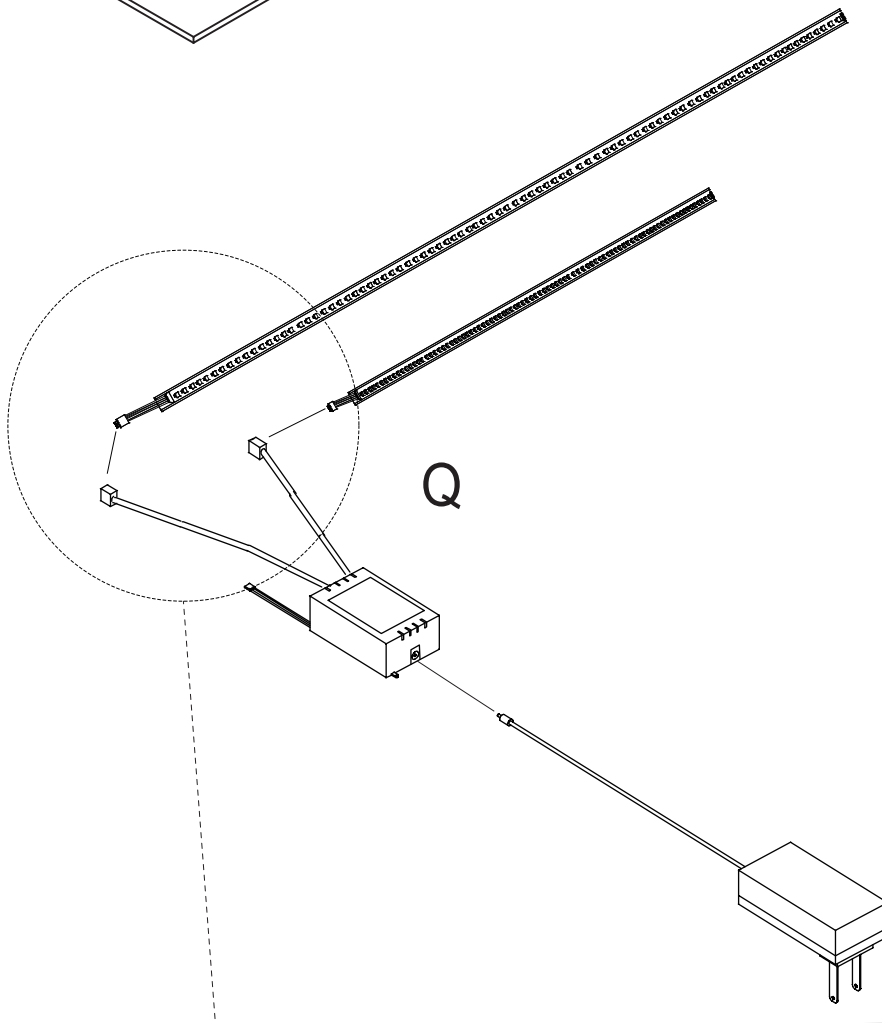




Step 9



Paste the LED light tape on the bottom of the plate(①、②)



Notice:

