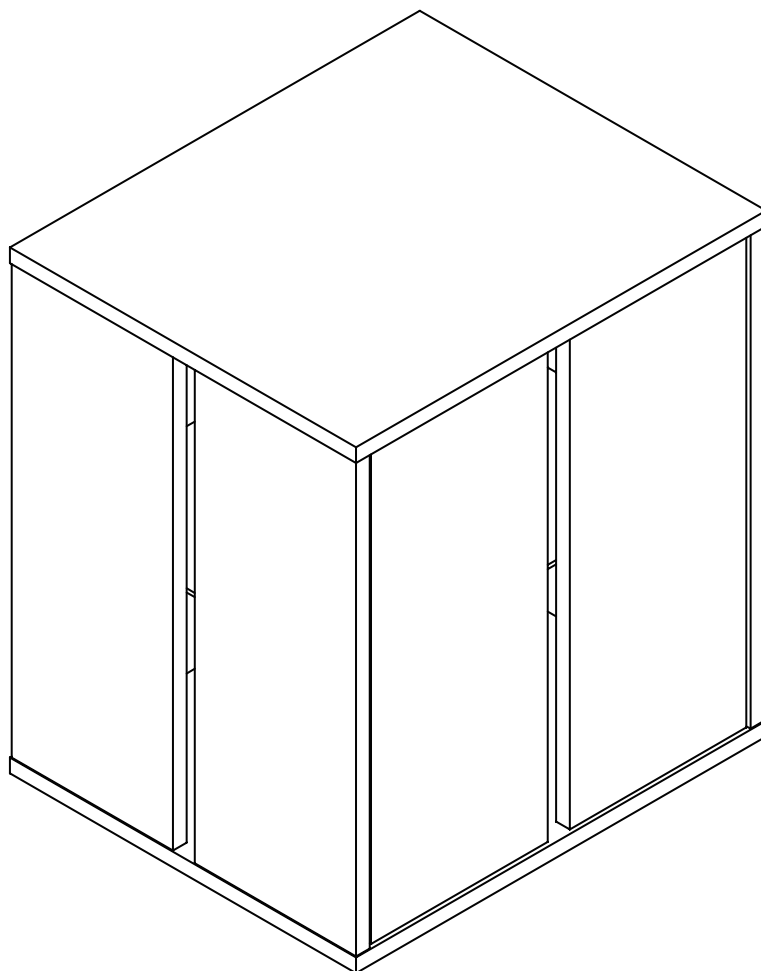


# INSTRUCTION MANUAL



Model: A21-1

Customer service email: [info@i-aplus.com](mailto:info@i-aplus.com)

## Attention :

Thank you very much for your purchase.

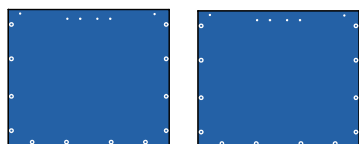
When the number of your order is more than 1, we will split your order and ship the goods separately to ensure the safety.

We promise to deliver at the same time, but the time of receipt may be slightly different due to logistics.

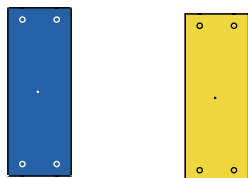
Each tracking number corresponds to only one cargo, you can contact [info@i-aplus.com](mailto:info@i-aplus.com) for more logistics information.

Thanks again for your understanding.

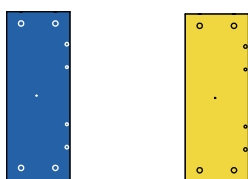
## PARTS LIST



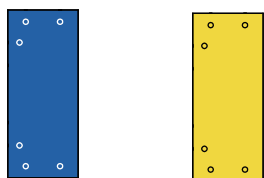
① Top and bottom panel  
(Blue\*2)



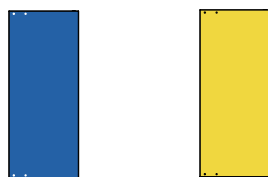
② Front side panel  
(Blue\*1, Yellow\*1)



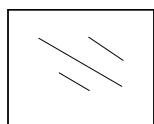
③ Rear side panel  
(Blue\*1, Yellow\*1)



④ Back panel  
(Blue\*1, Yellow\*1)

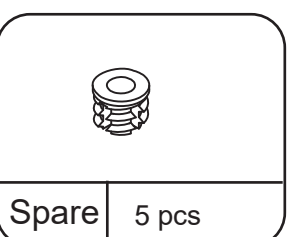
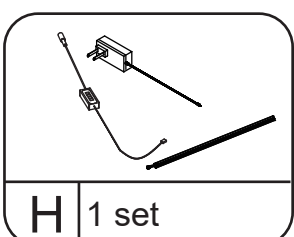
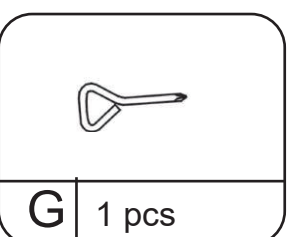
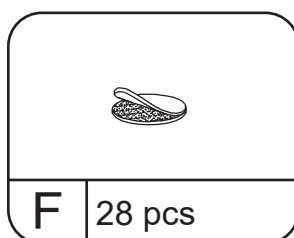
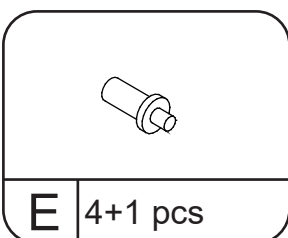
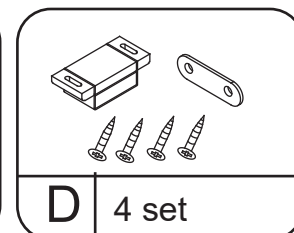
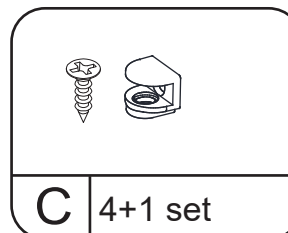
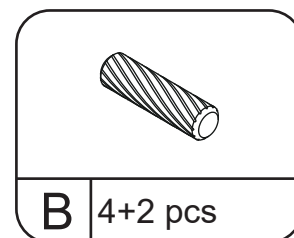
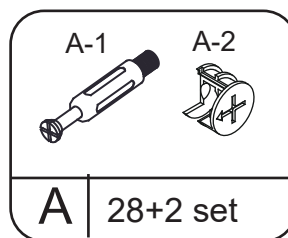


⑤ Door panel  
(Blue\*1, Yellow\*1)

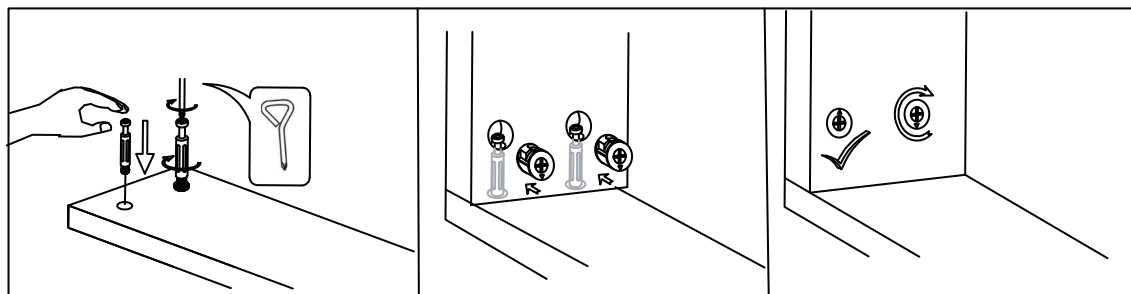


Glass\*1

## HARDWARE LIST



If the nut is missing from the panel, use a hammer to drive in the spare nut



## Attention:

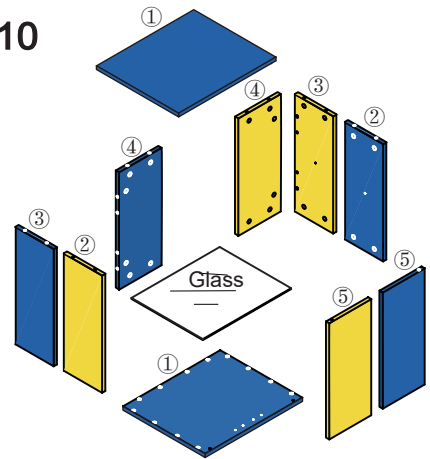
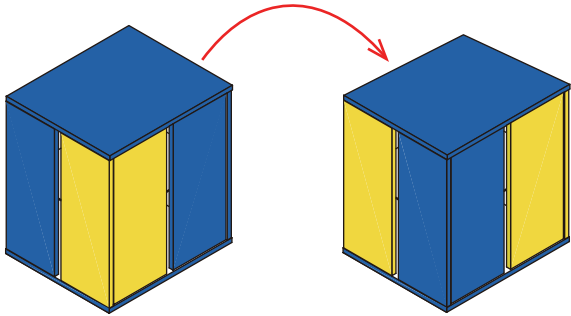
1. Please place the product on the carpet or carton to assemble to avoid scratching the floor;
2. During the installation process, keep away from children and pets, and avoid accidentally swallowing spare parts;
3. It is recommended to use a low-speed electric drill for installation.

# INSTRUCTION MANUAL

There are multiple combinations of products. Please select the appropriate combination as needed.

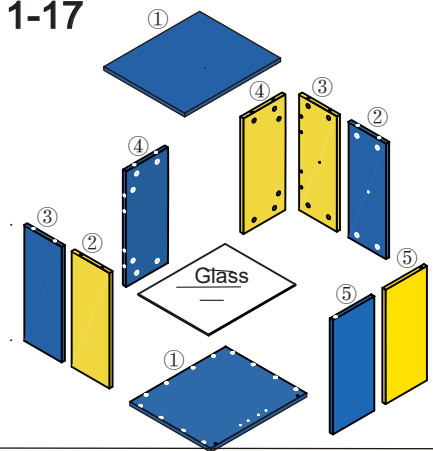
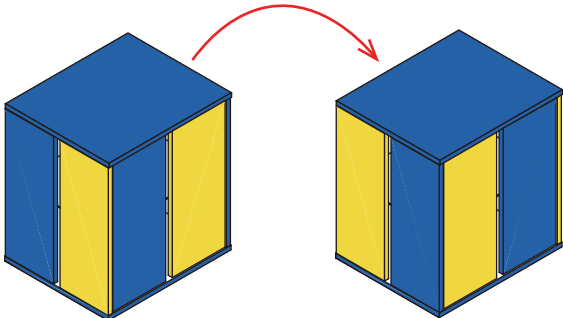
## Installation method 1 Corresponds to page 4-10

Rotate up and down 180 °



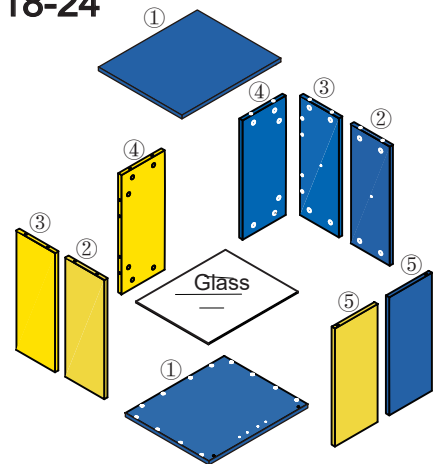
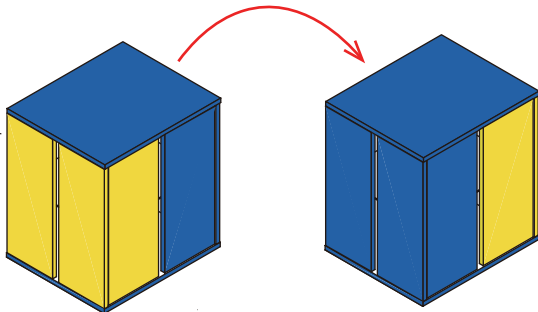
## Installation method 2 Corresponds to page 11-17

Rotate up and down 180 °



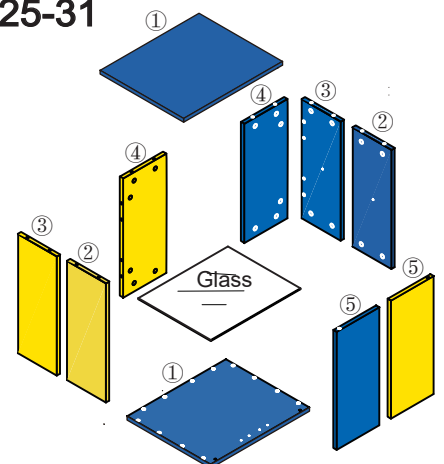
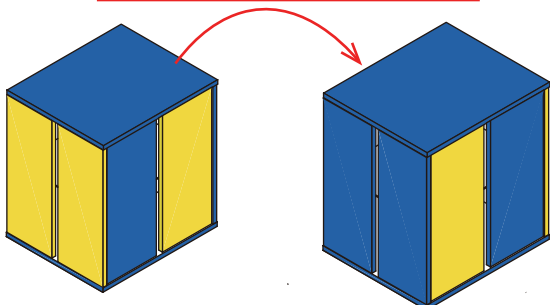
## Installation method 3 Corresponds to page 18-24

Rotate up and down 180 °



## Installation method 4 Corresponds to page 25-31

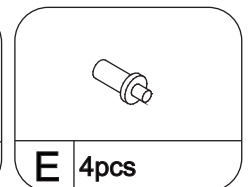
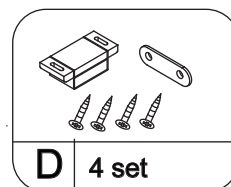
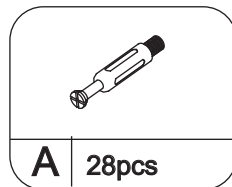
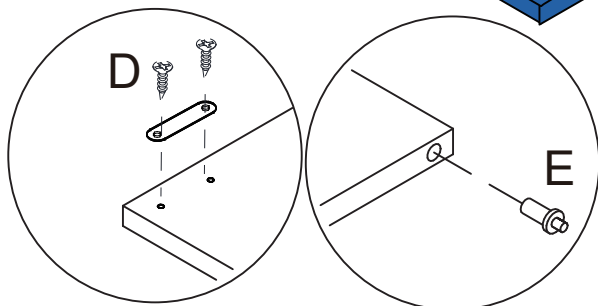
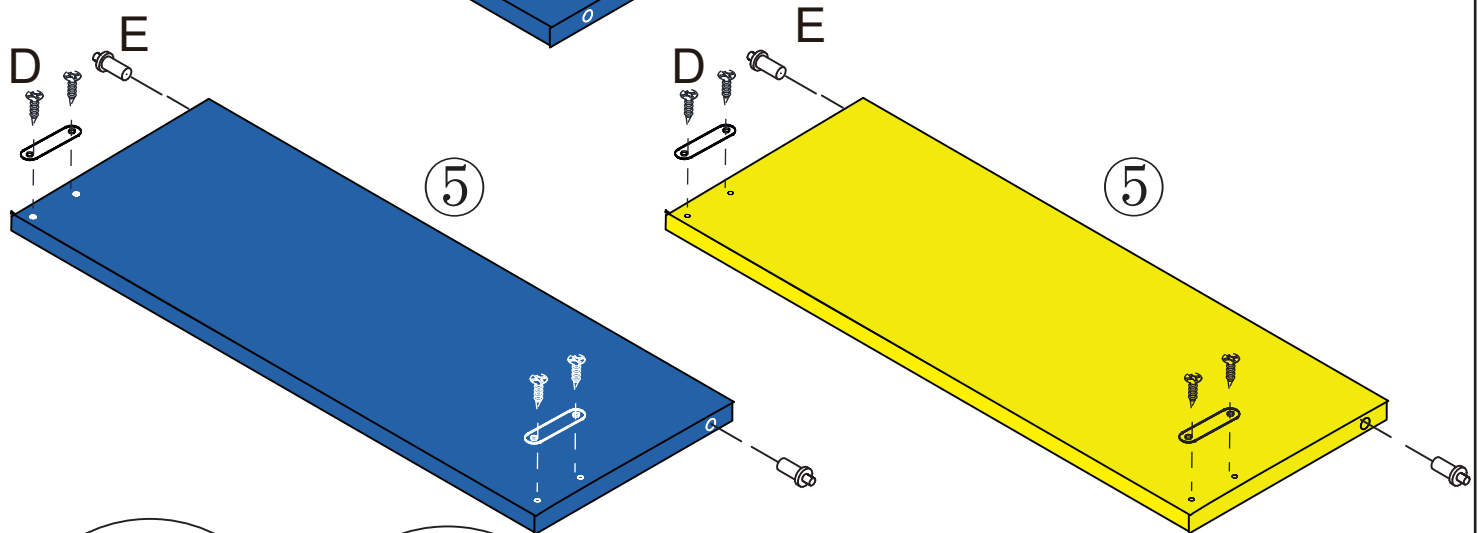
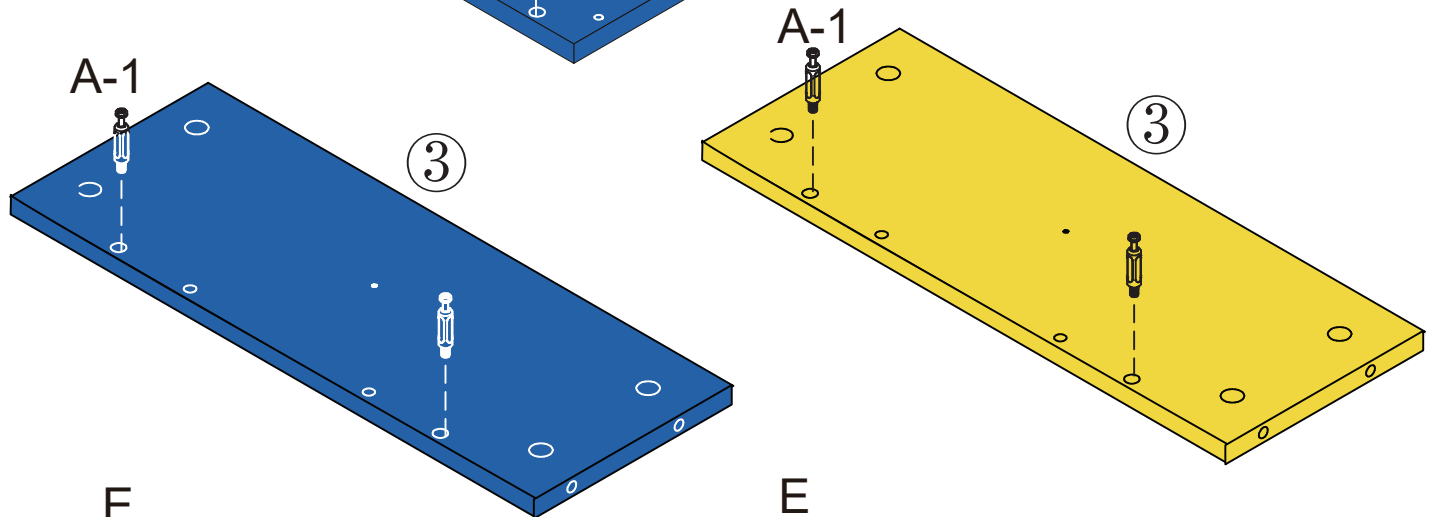
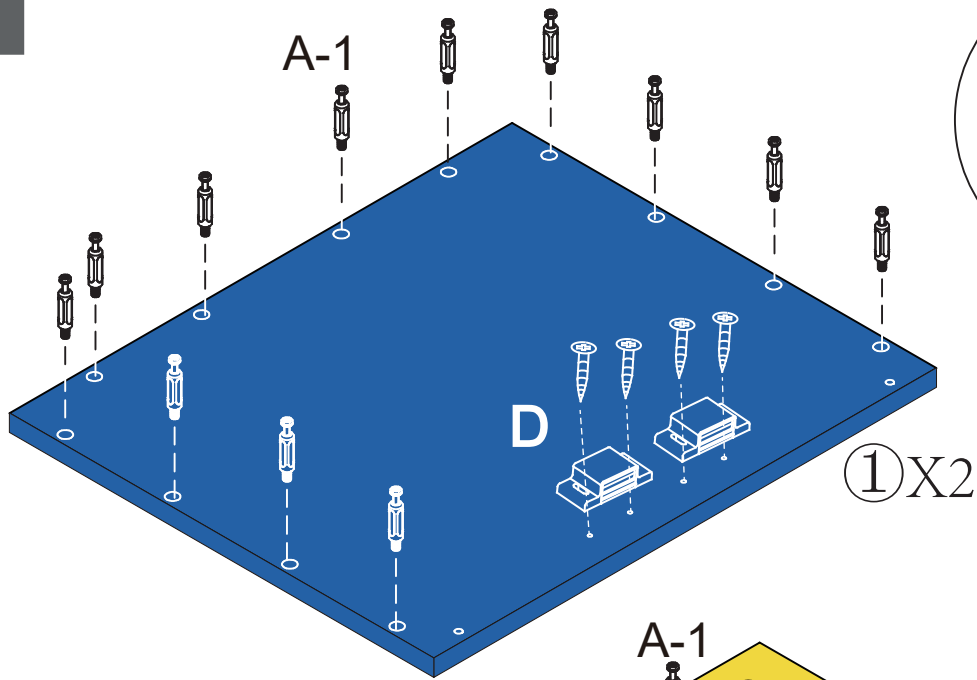
Rotate up and down 180 °



# INSTRUCTION MANUAL

## Installation method 1

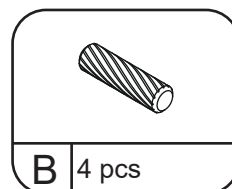
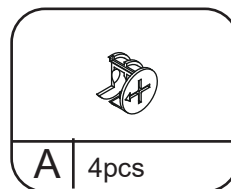
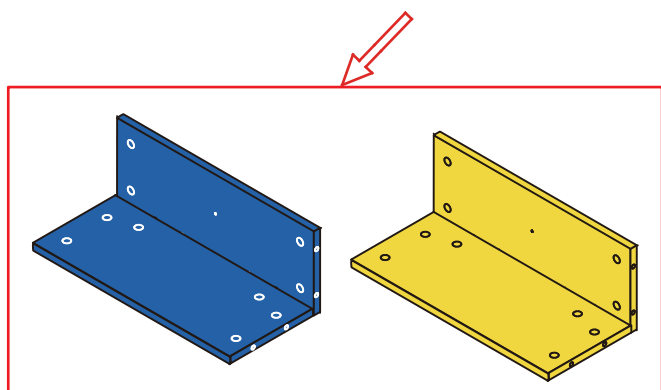
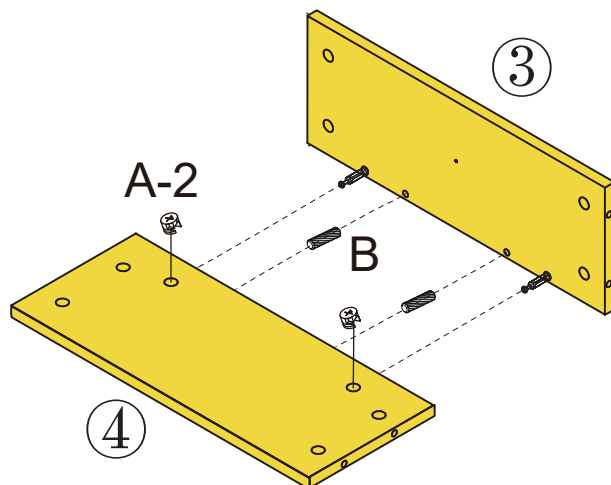
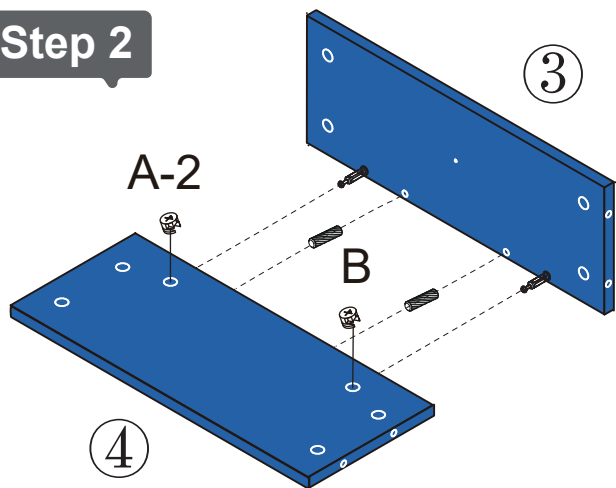
Step 1



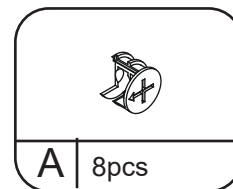
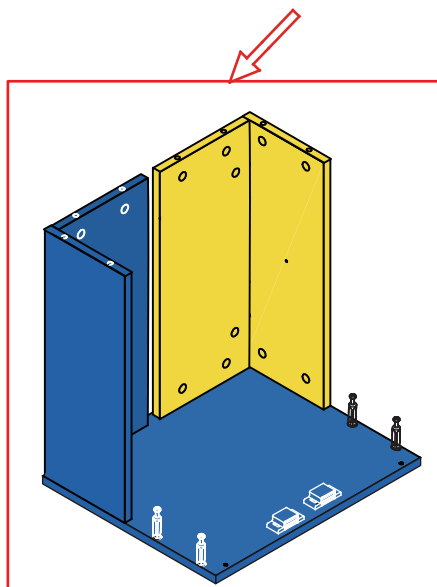
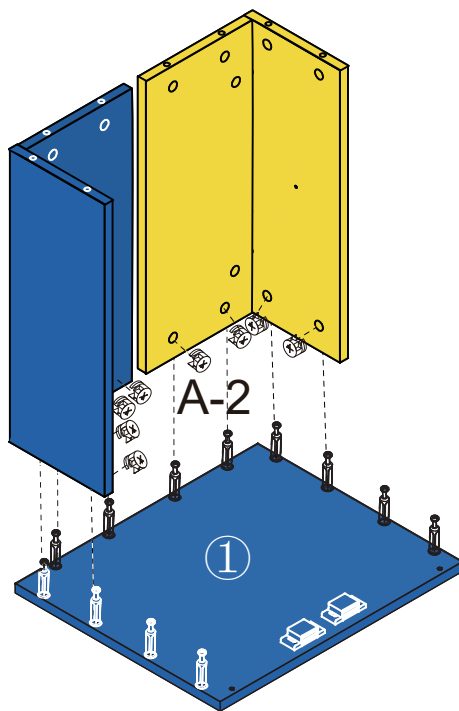
4

# INSTRUCTION MANUAL

## Step 2



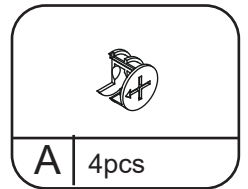
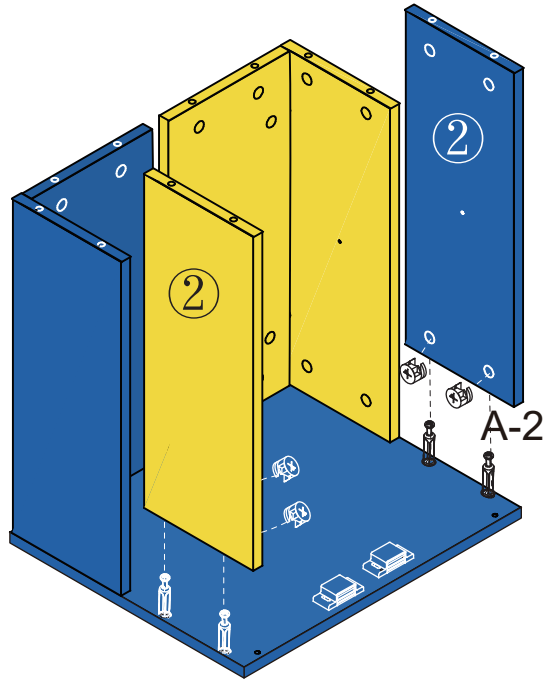
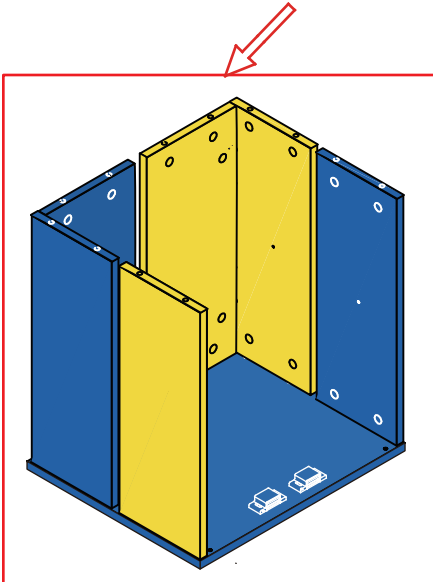
## Step 3



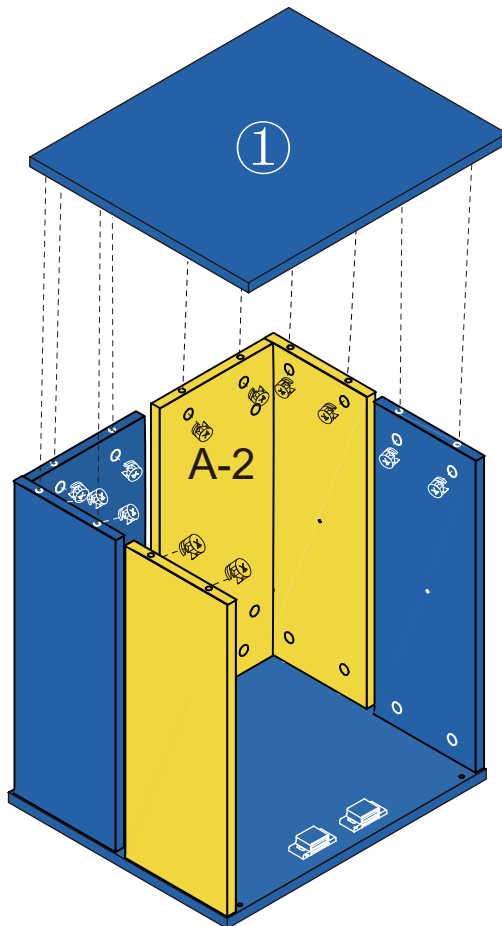
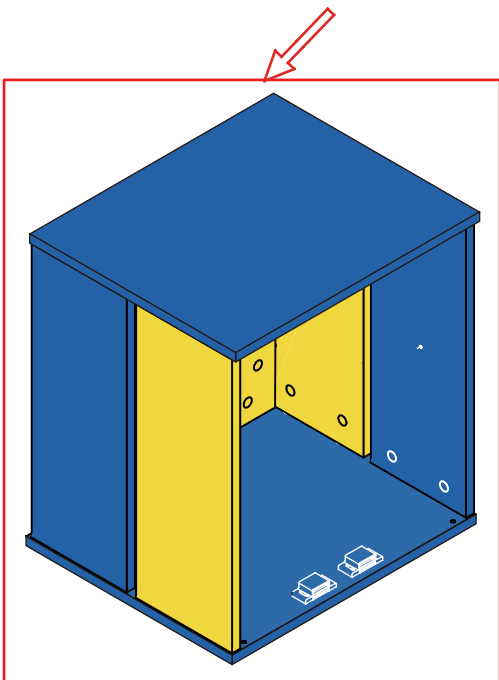
5

# INSTRUCTION MANUAL

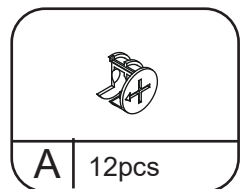
## Step 4



## Step 5

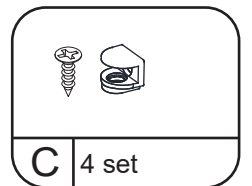
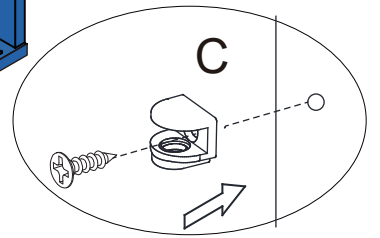
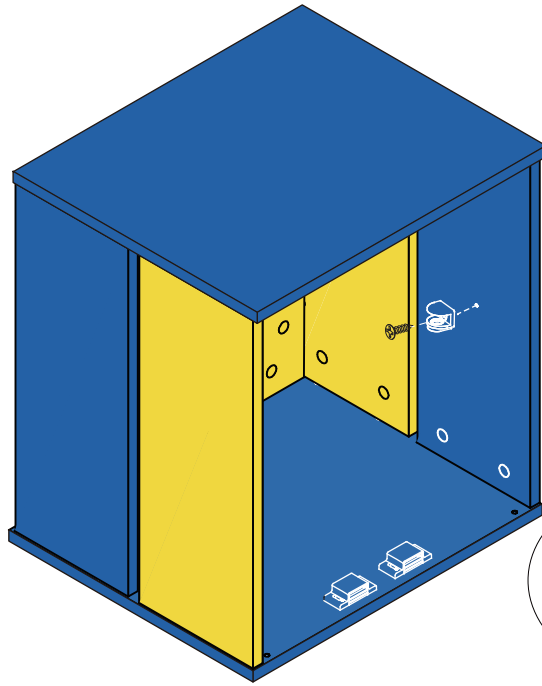
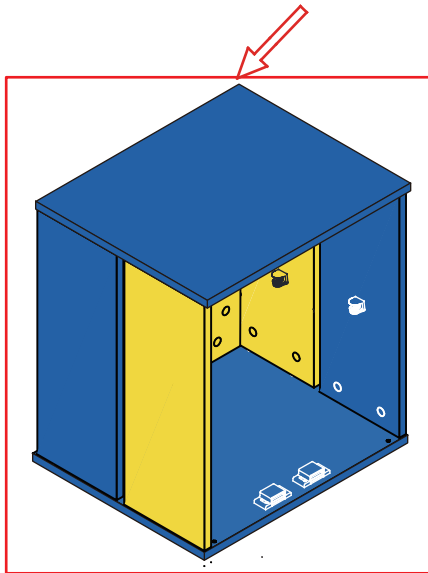


6

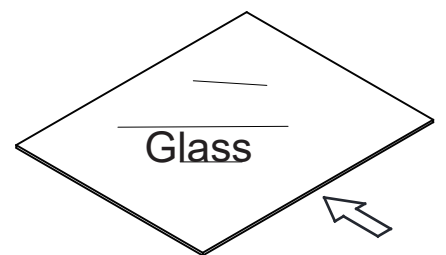
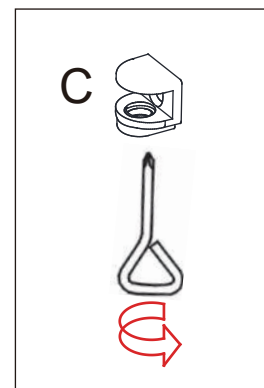
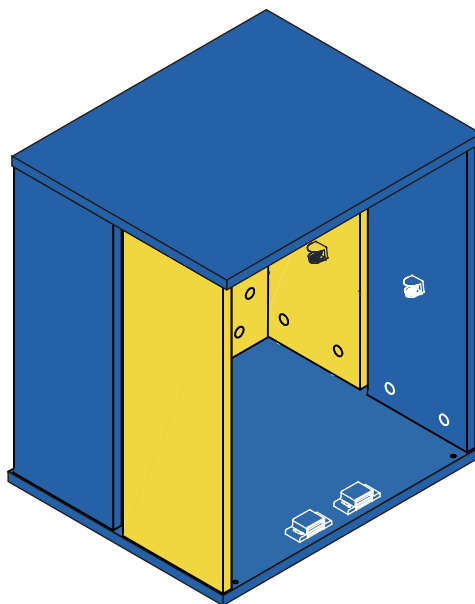
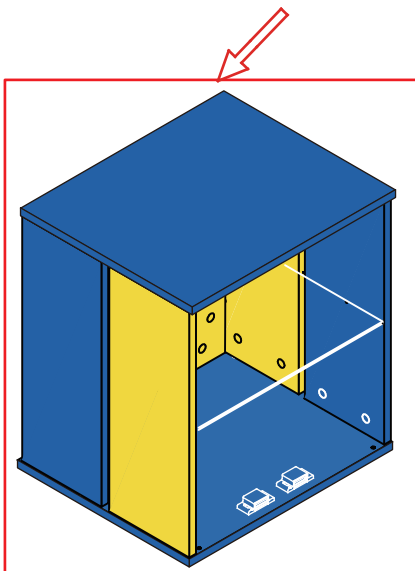


# INSTRUCTION MANUAL

## Step 6

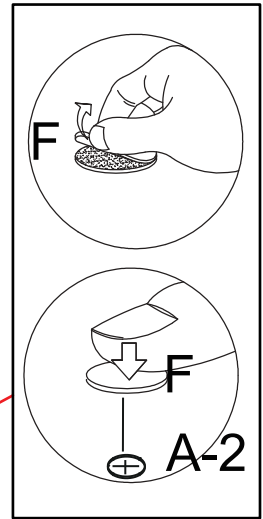
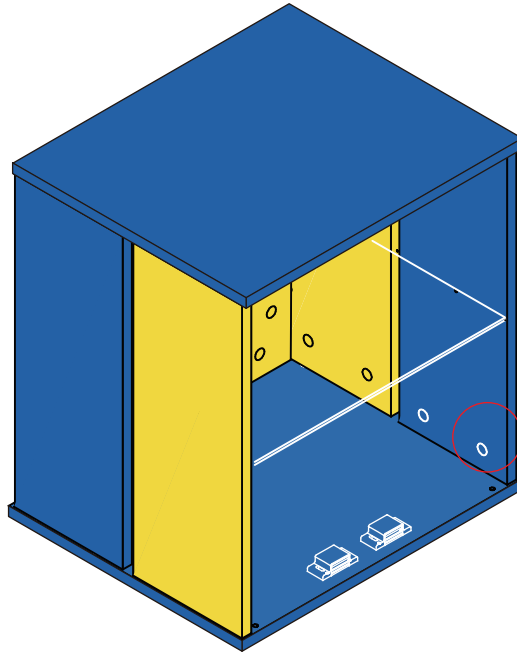
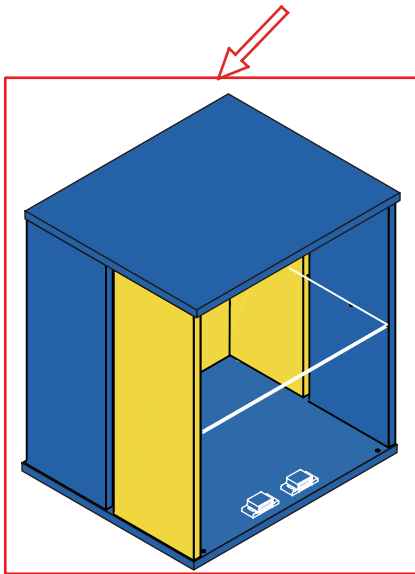


## Step 7

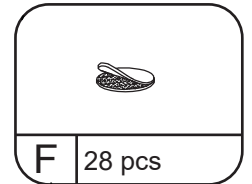


# INSTRUCTION MANUAL

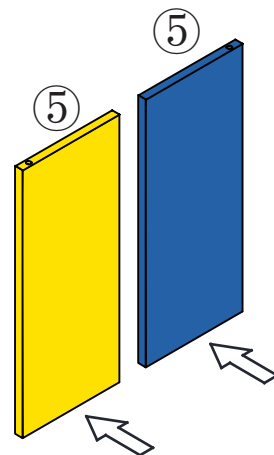
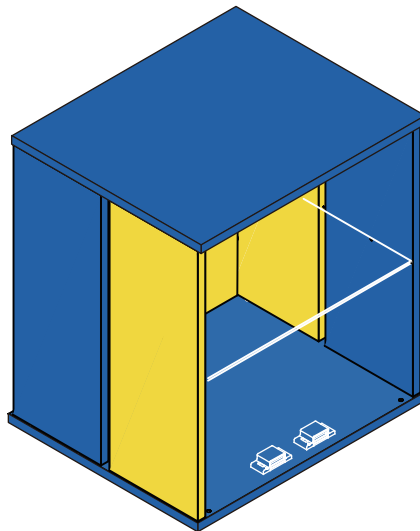
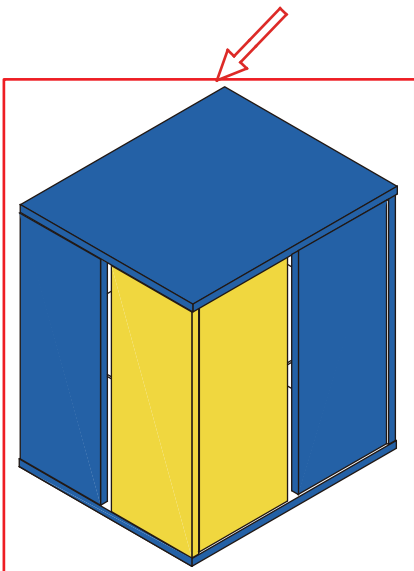
## Step 8



Please stick the hardware "F" on the exposed cam lock hole that makes your product more beautiful.

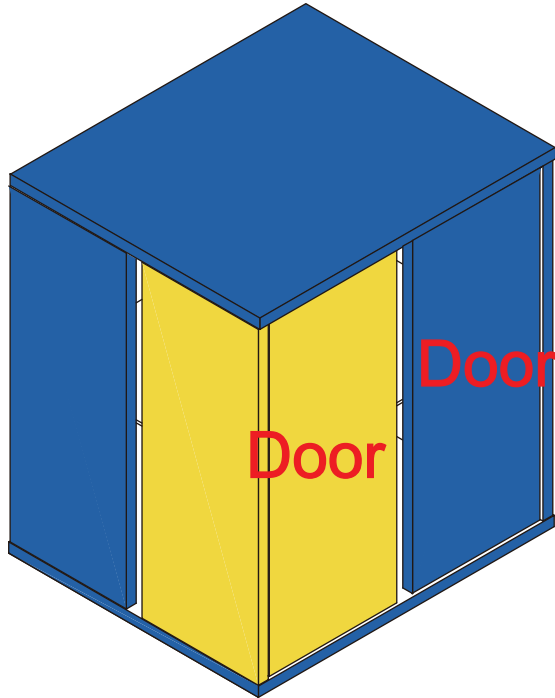


## Step 9

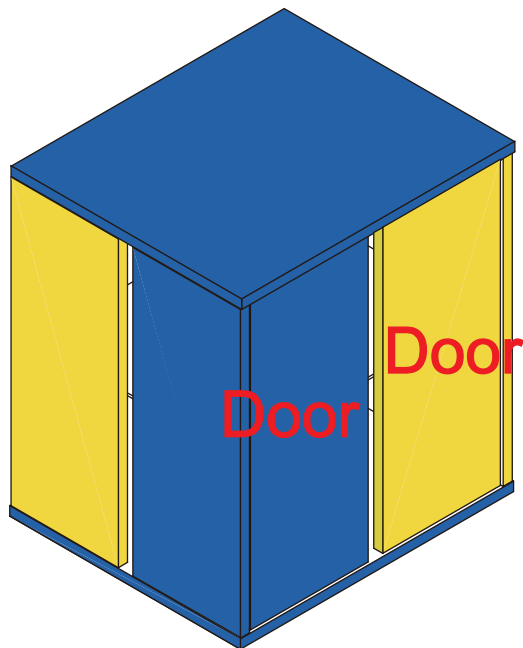




## Step 10

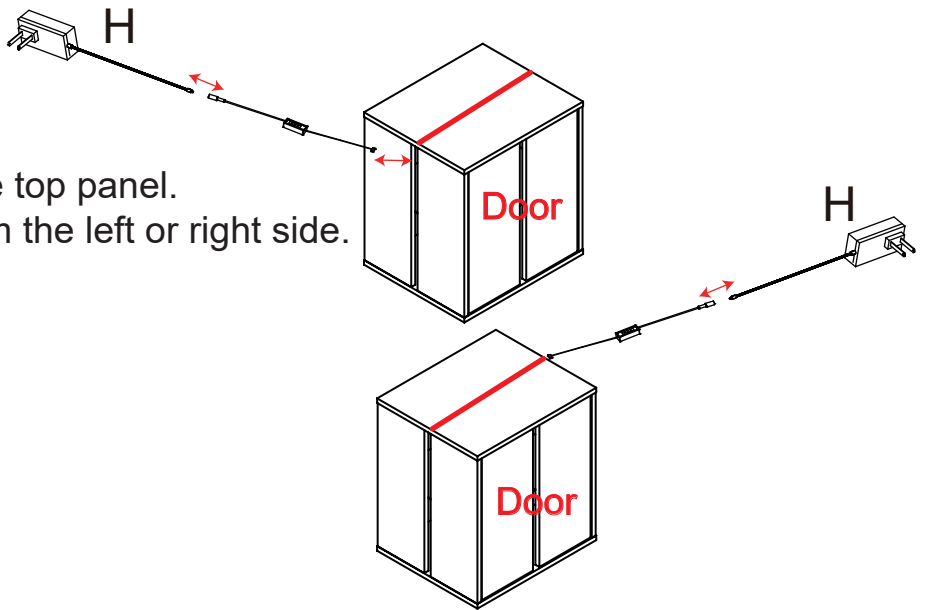


Rotate up  
and down  
 $180^\circ$

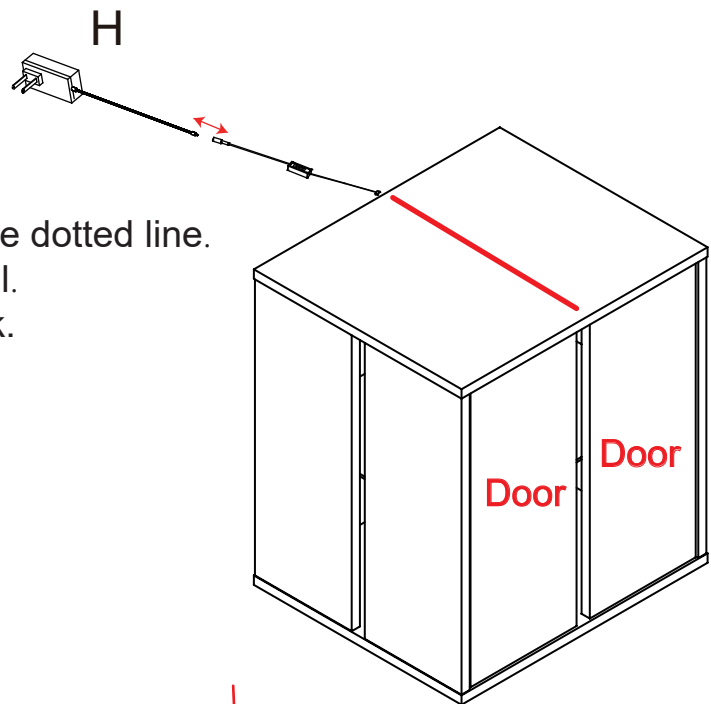


# INSTRUCTION MANUAL

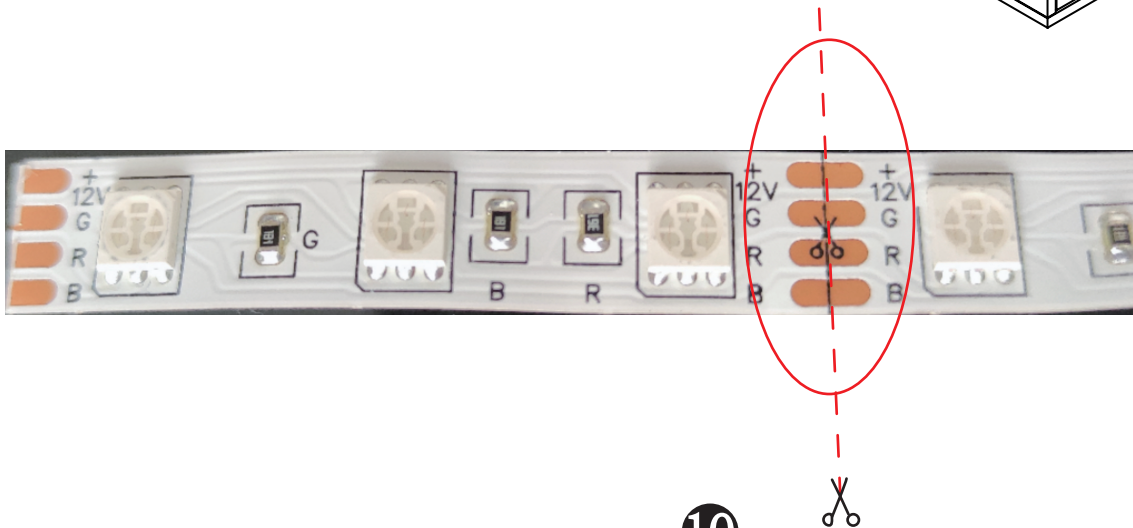
## Step 11



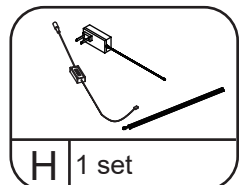
Stick the light strip under the top panel.  
Connect the power plug from the left or right side.



Cut 1 section of the light strip along the dotted line.  
Stick the light strip under the top panel.  
Connect the power plug from the back.

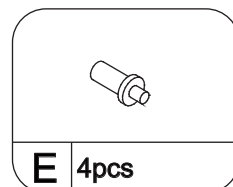
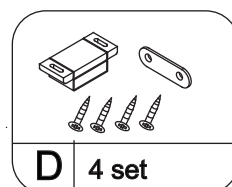
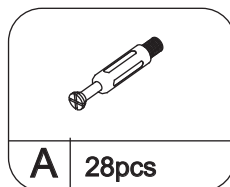
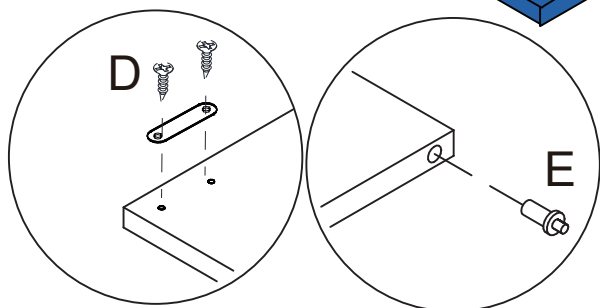
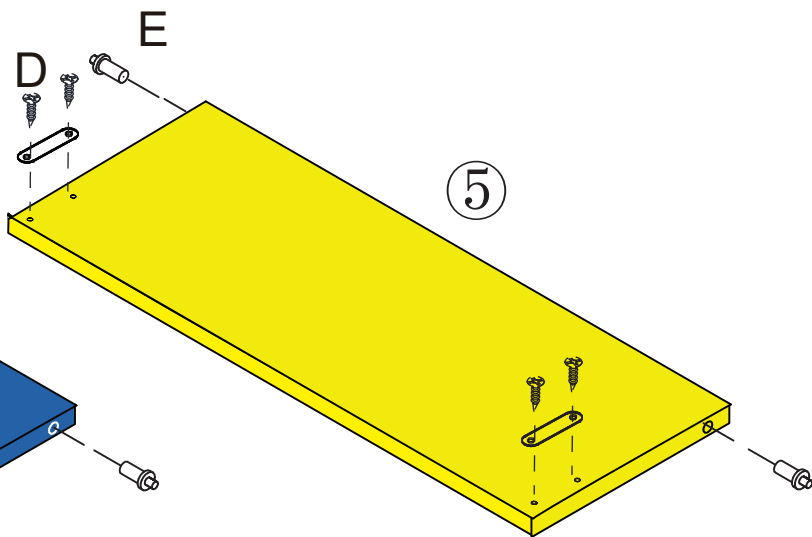
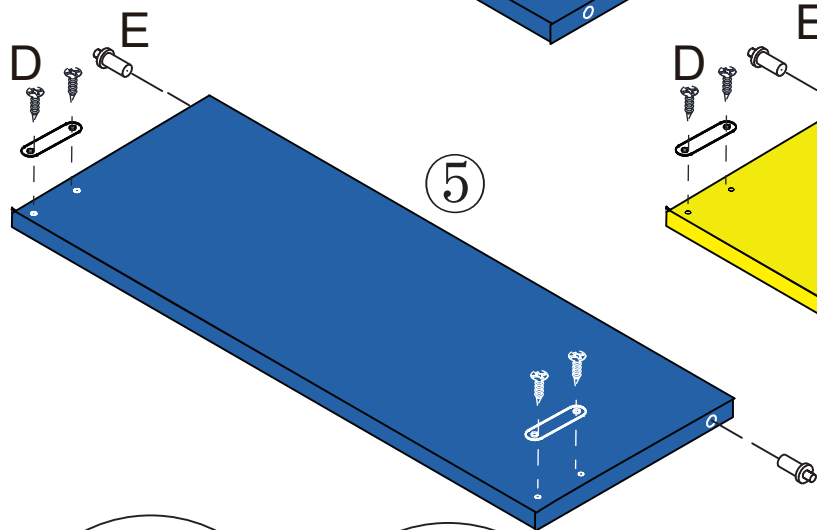
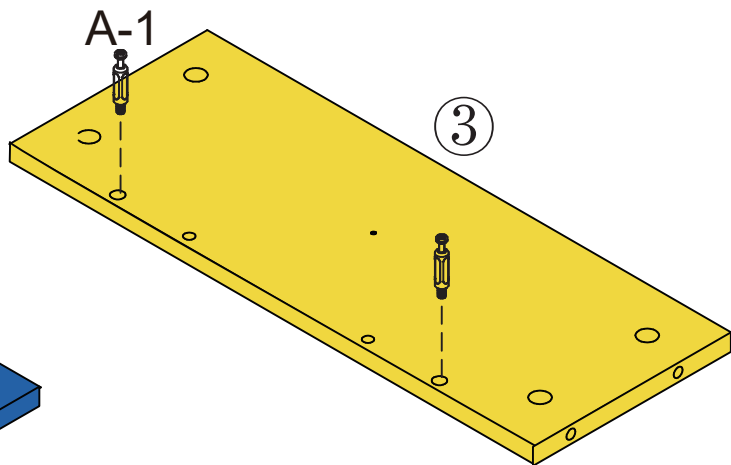
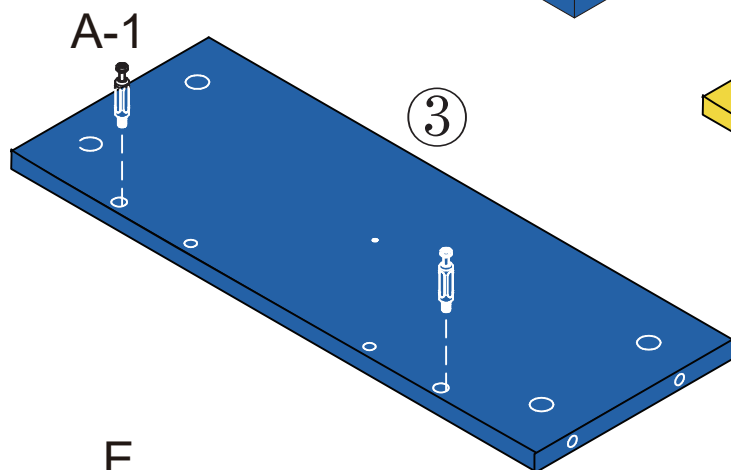
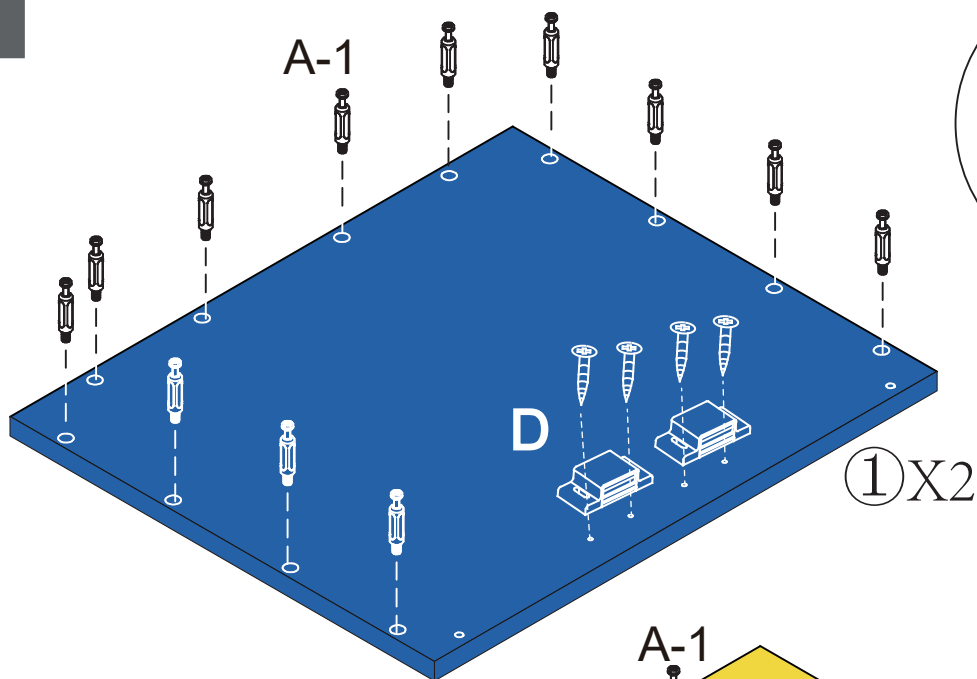


10



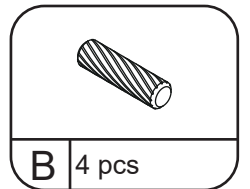
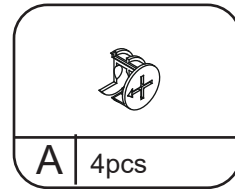
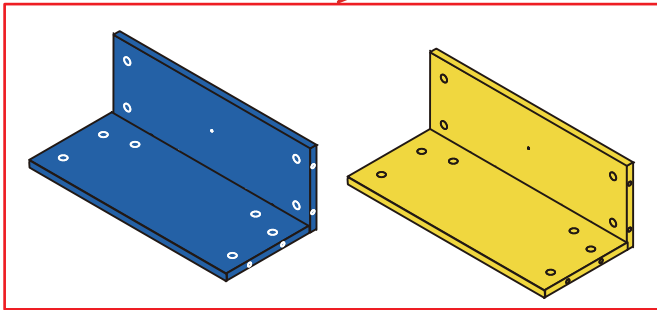
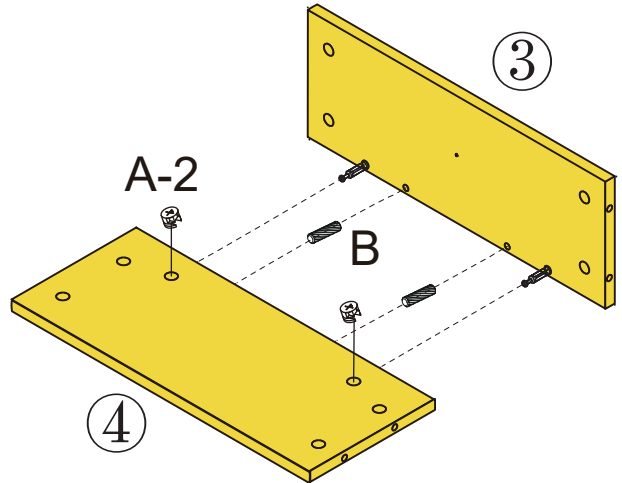
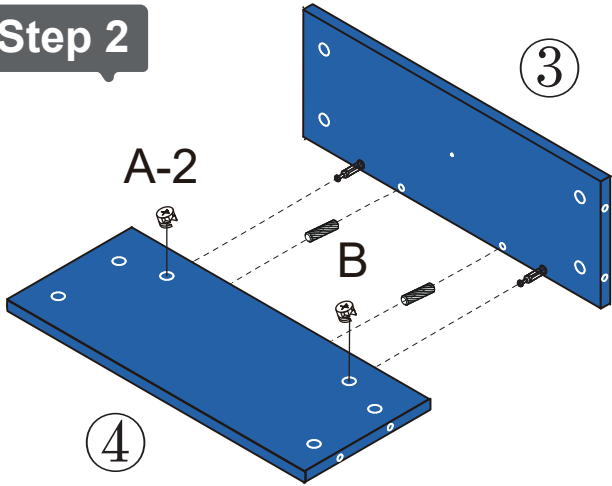
## Installation method 2

Step 1

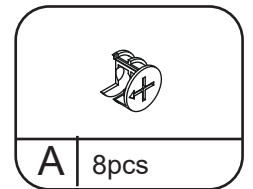
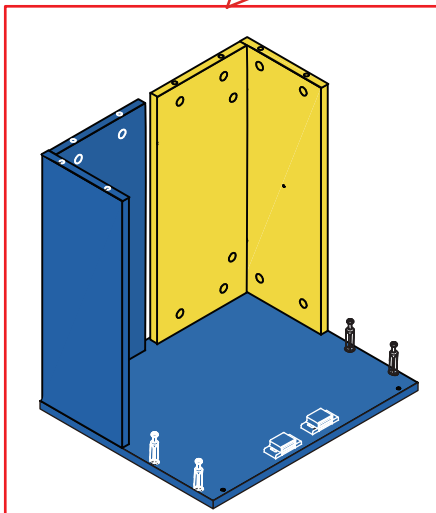
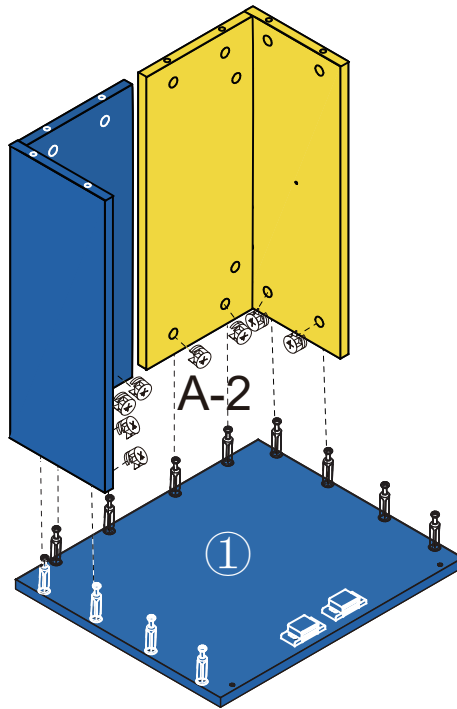


# INSTRUCTION MANUAL

## Step 2

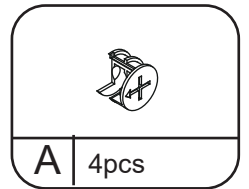
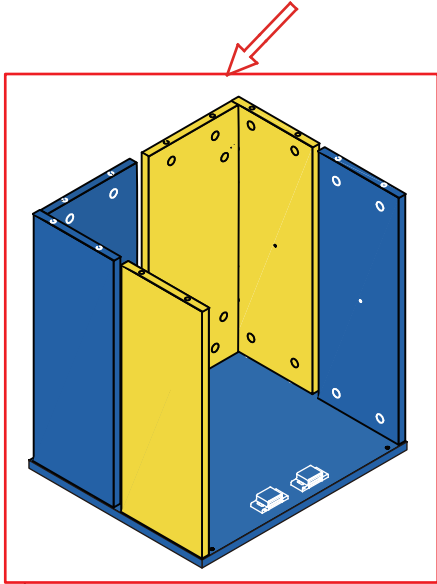
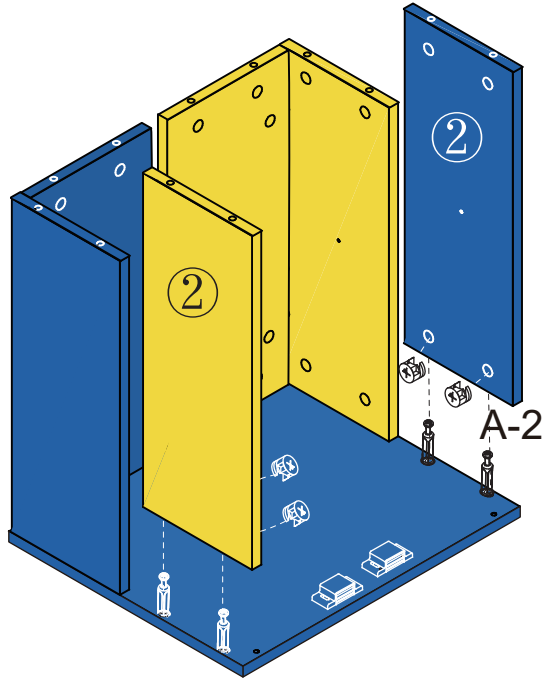


## Step 3

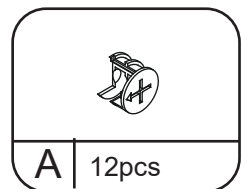
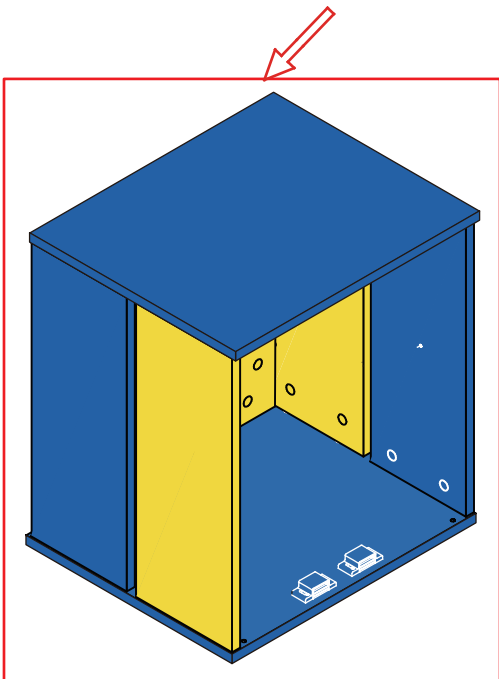
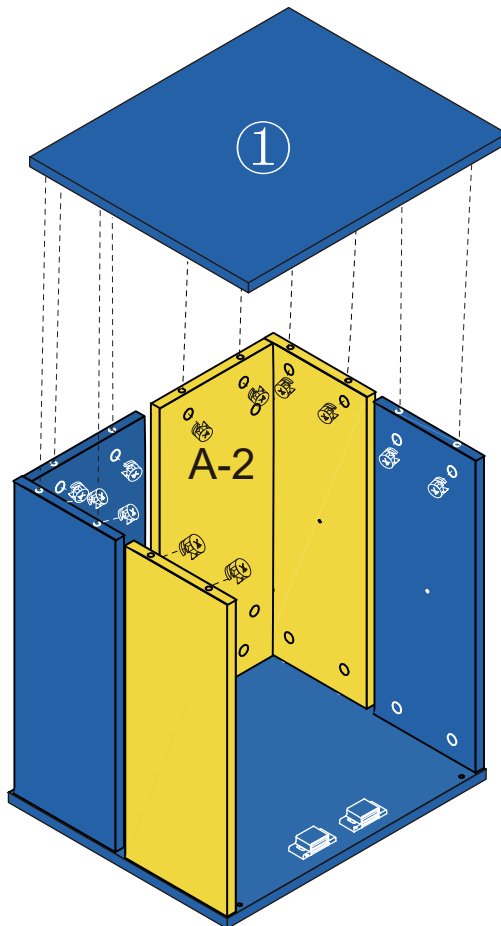


# INSTRUCTION MANUAL

## Step 4

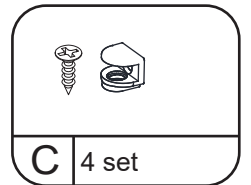
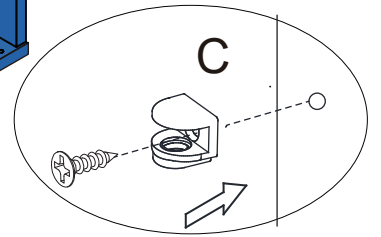
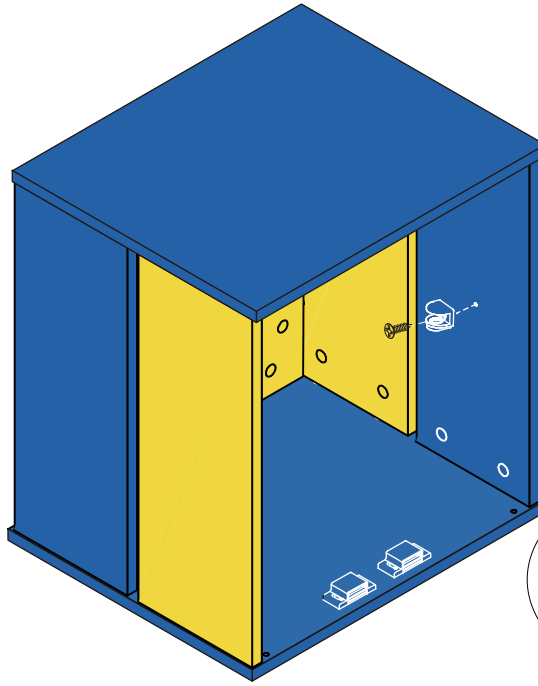
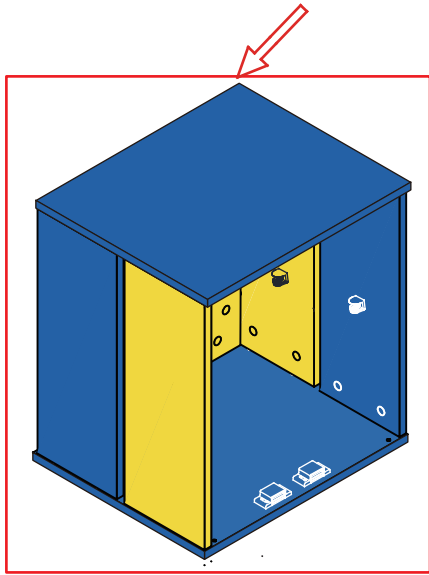


## Step 5

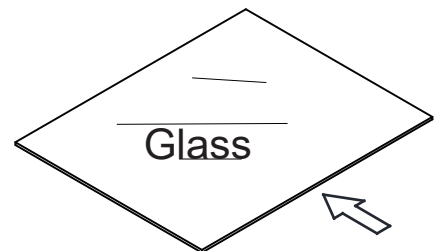
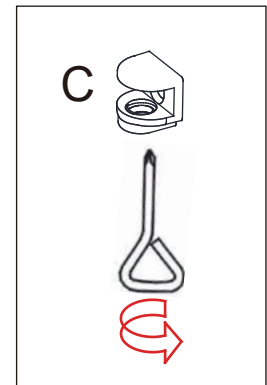
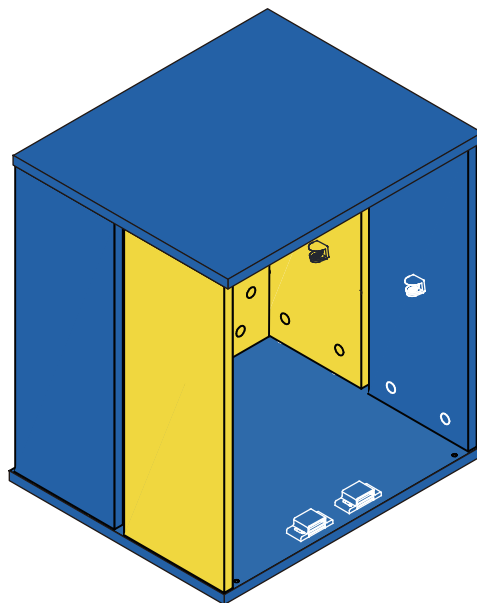
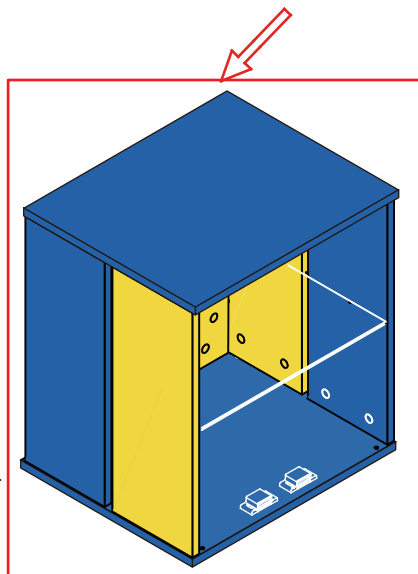


# INSTRUCTION MANUAL

## Step 6

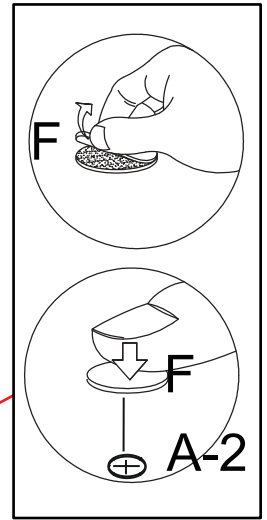
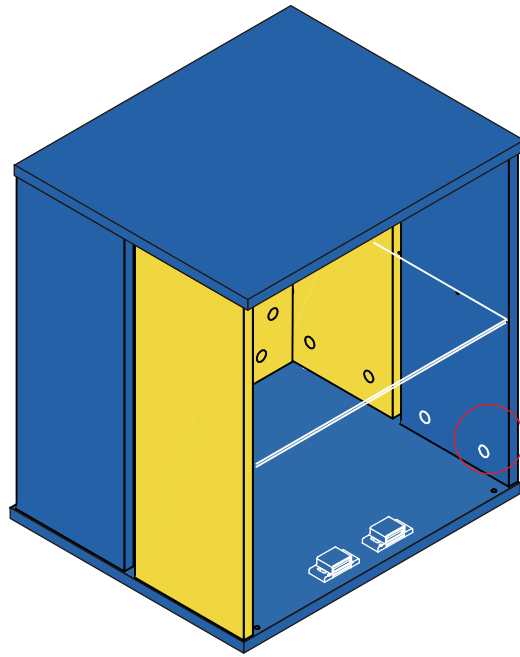
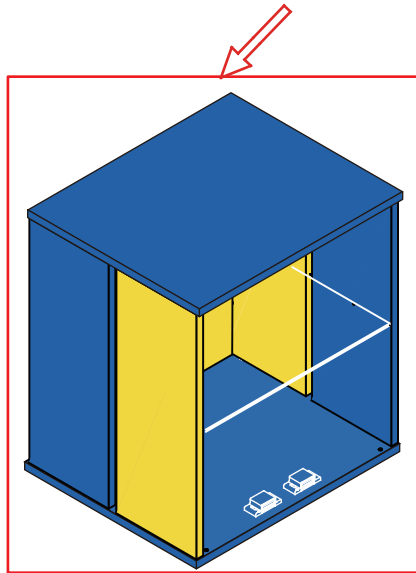


## Step 7

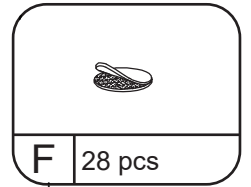


# INSTRUCTION MANUAL

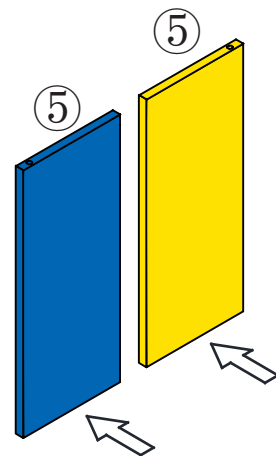
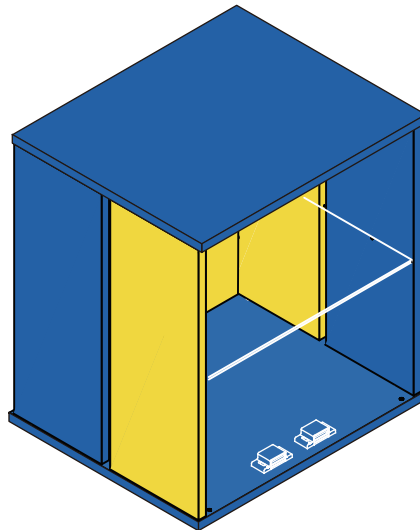
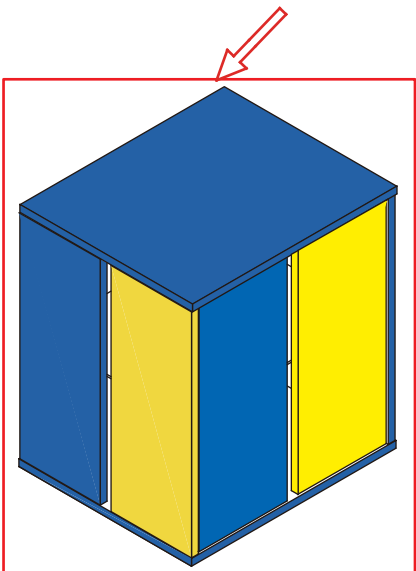
## Step 8



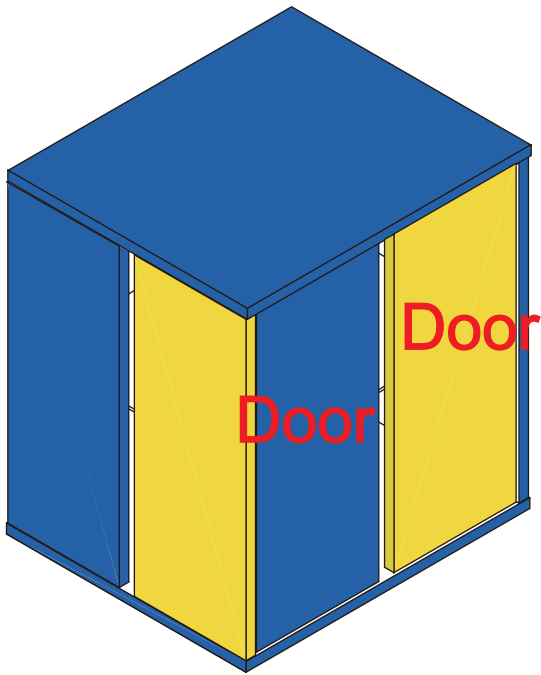
Please stick the hardware "F" on the exposed cam lock hole that makes your product more beautiful.



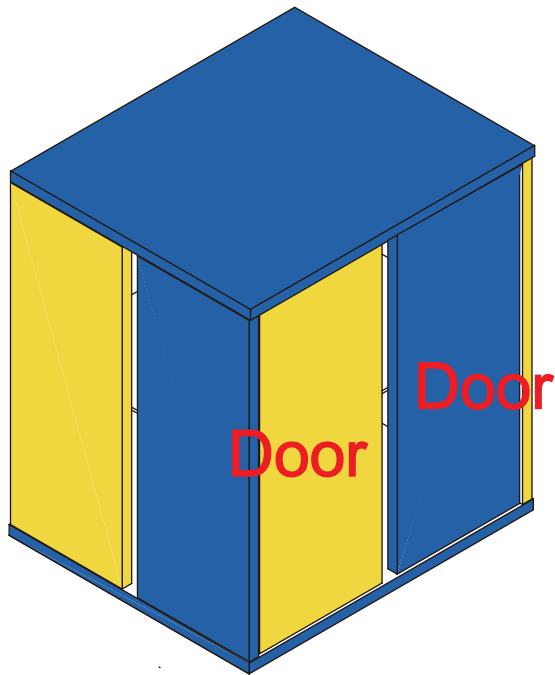
## Step 9



## Step 10



Rotate up  
and down  
180 °

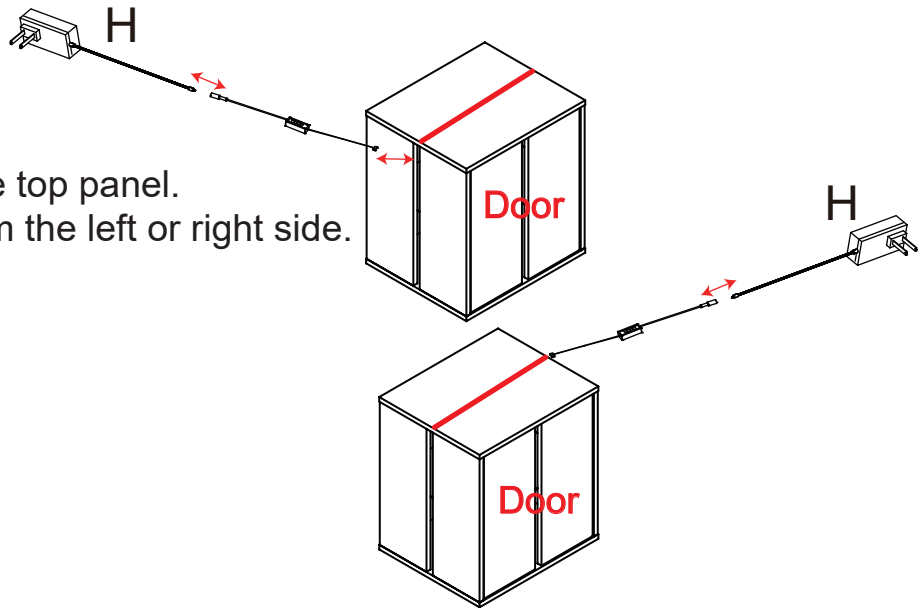




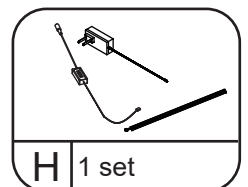
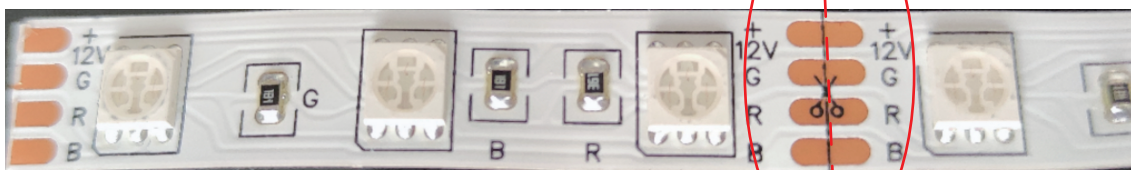
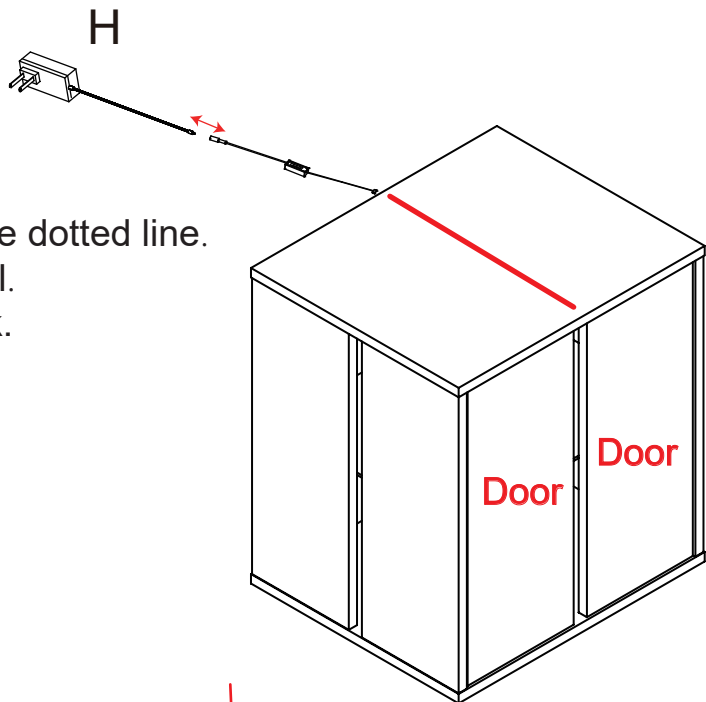
# INSTRUCTION MANUAL

## Step 11

Stick the light strip under the top panel.  
Connect the power plug from the left or right side.

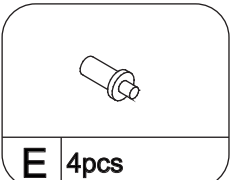
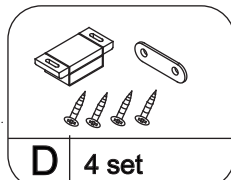
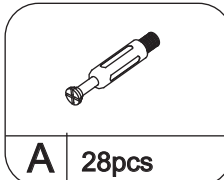
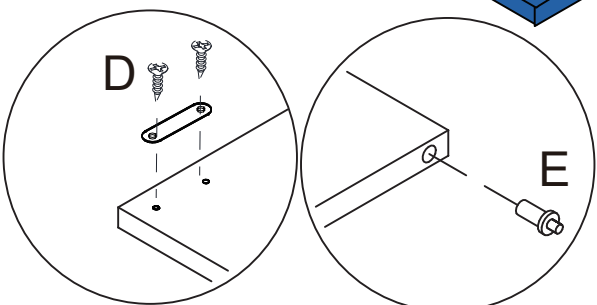
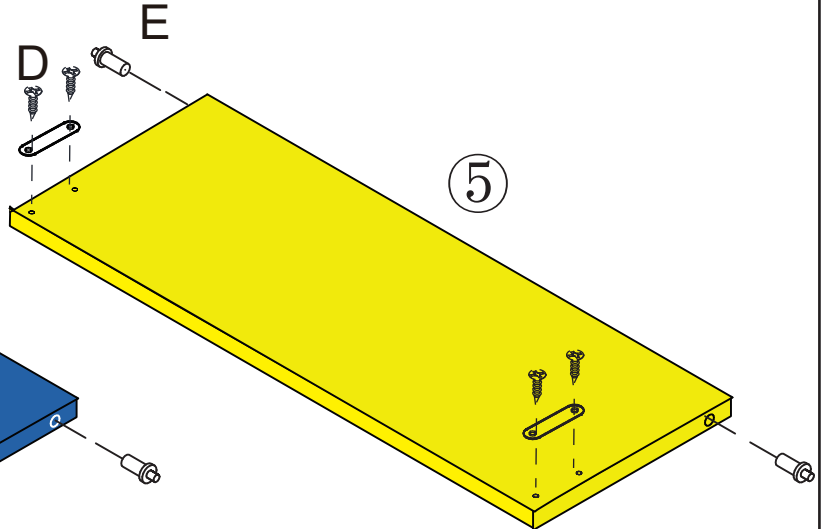
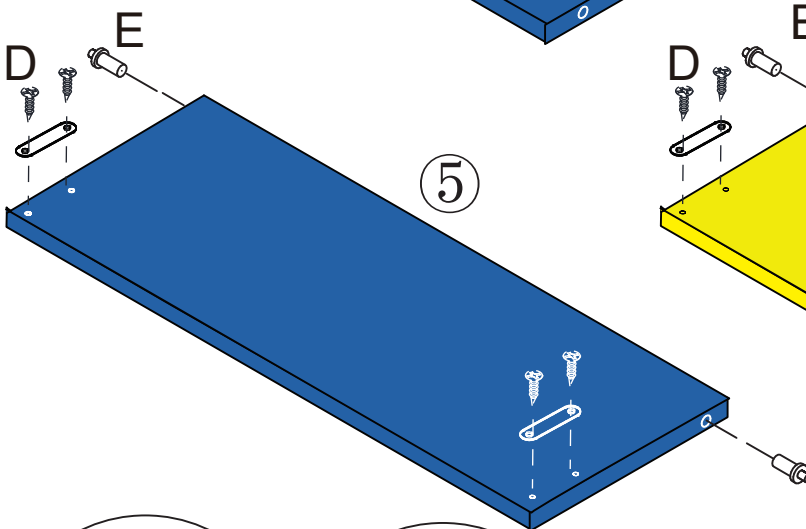
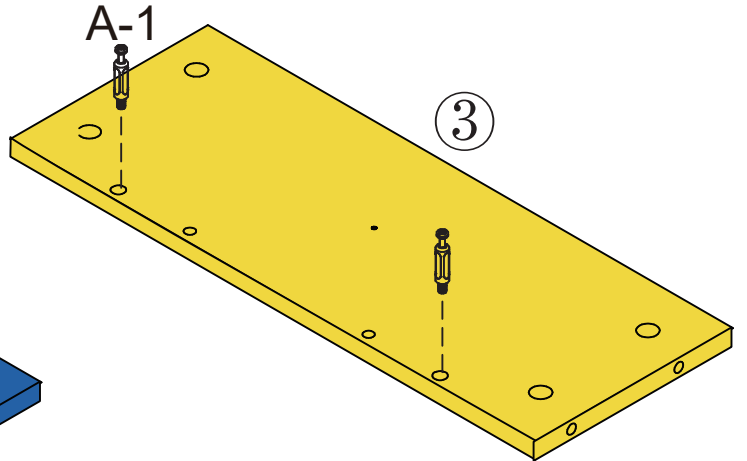
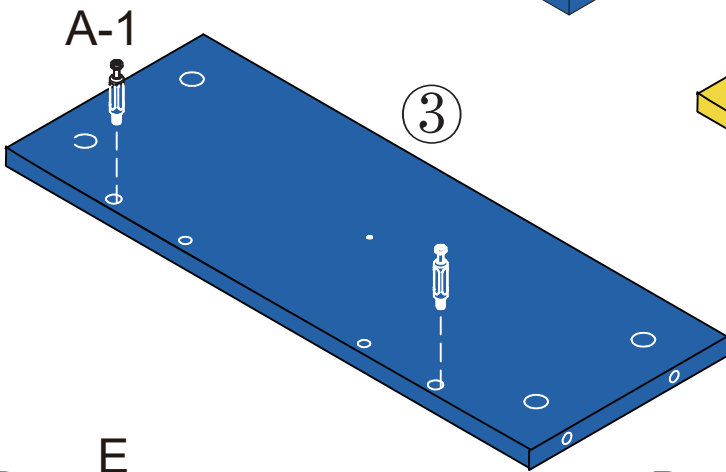
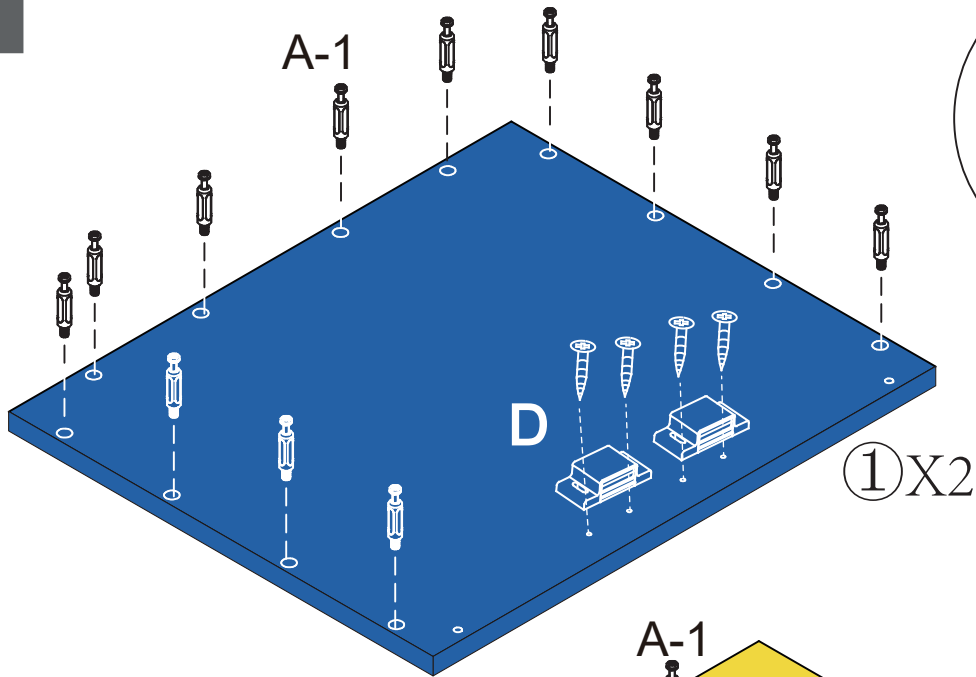


Cut 1 section of the light strip along the dotted line.  
Stick the light strip under the top panel.  
Connect the power plug from the back.



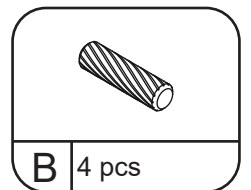
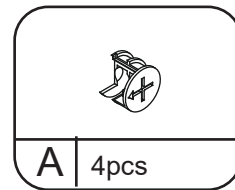
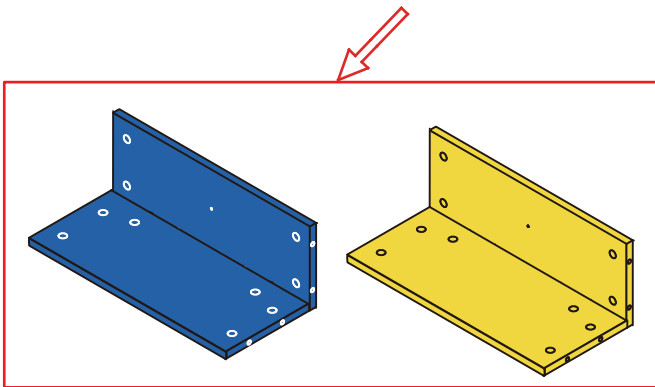
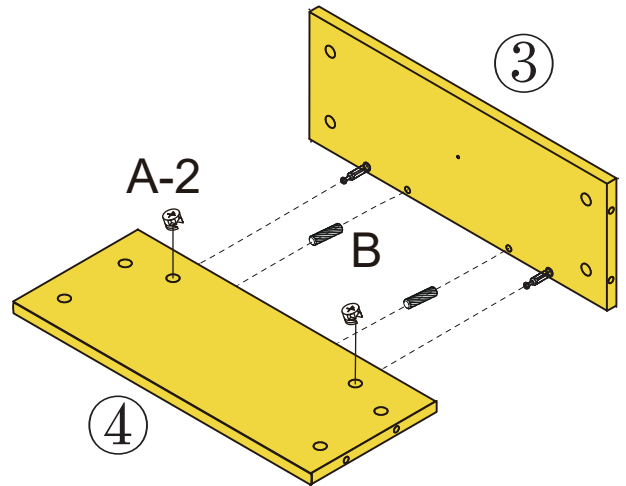
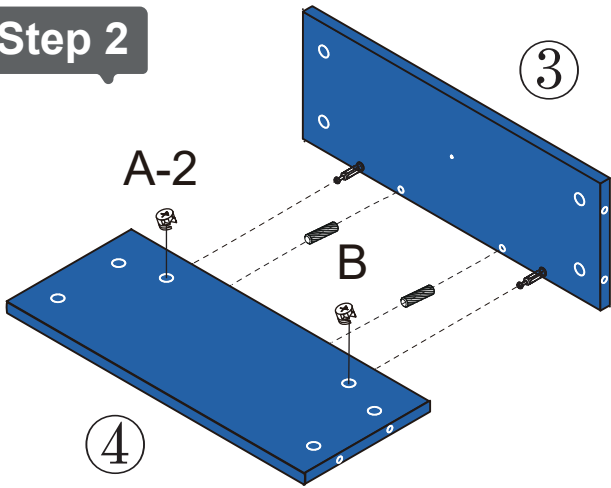
## Installation method 3

Step 1

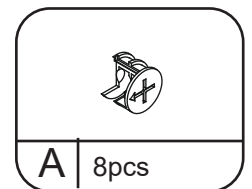
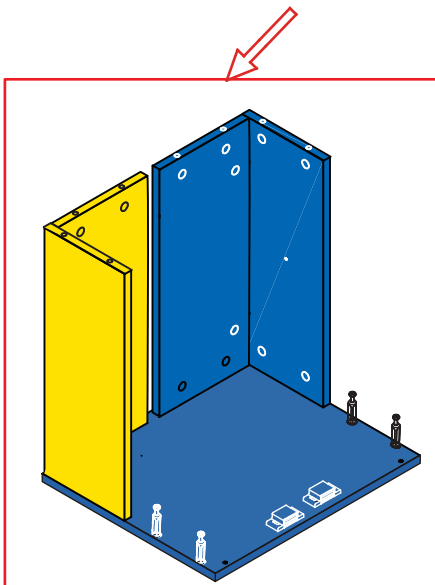
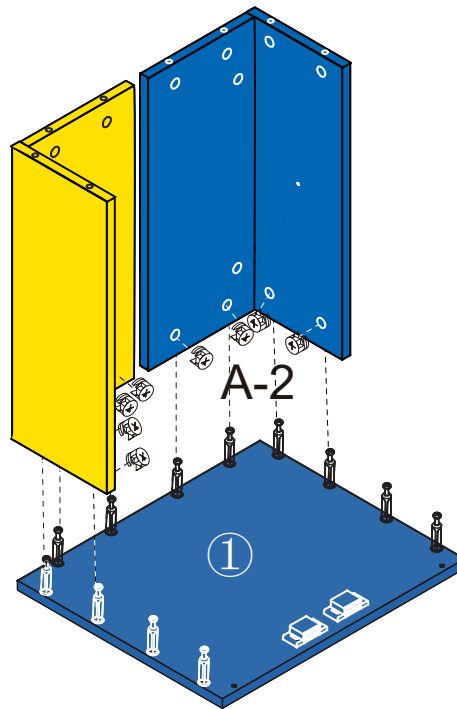


# INSTRUCTION MANUAL

## Step 2

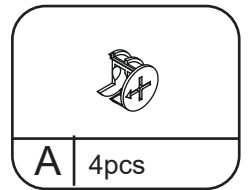
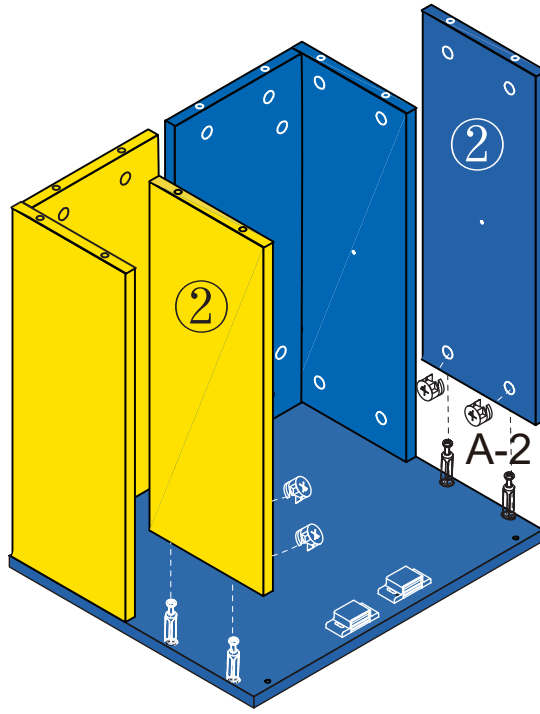
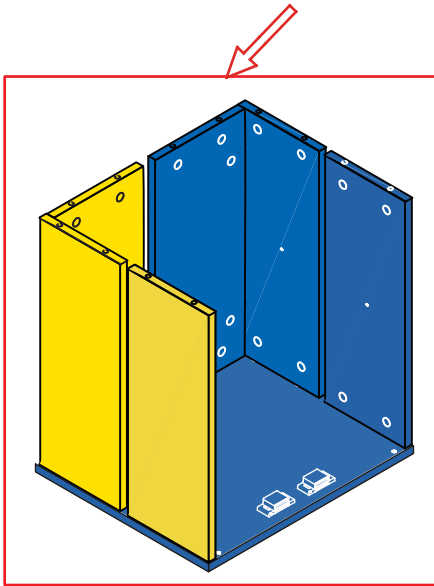


## Step 3

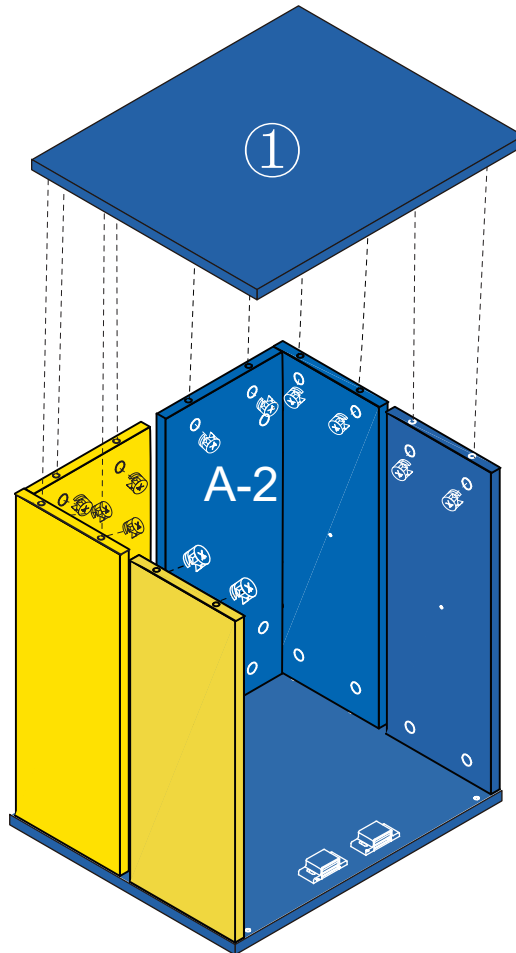
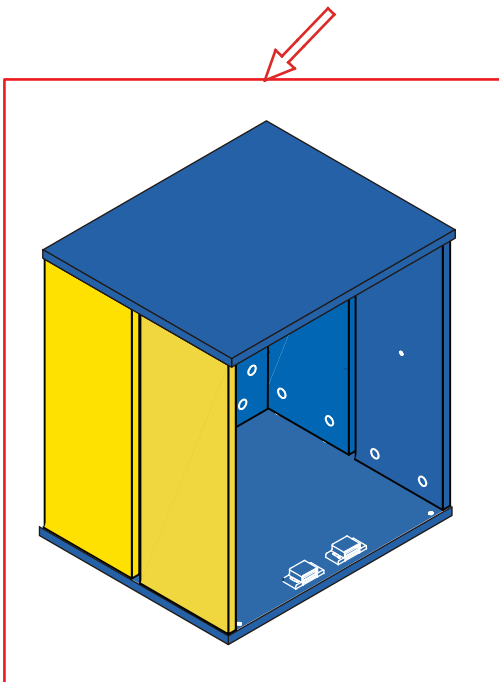


# INSTRUCTION MANUAL

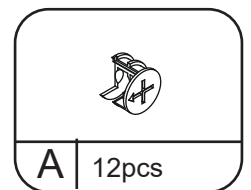
## Step 4



## Step 5

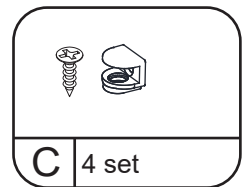
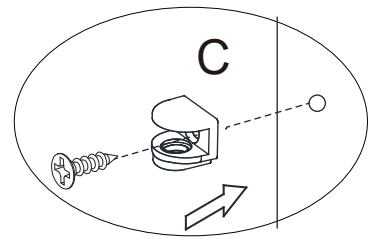
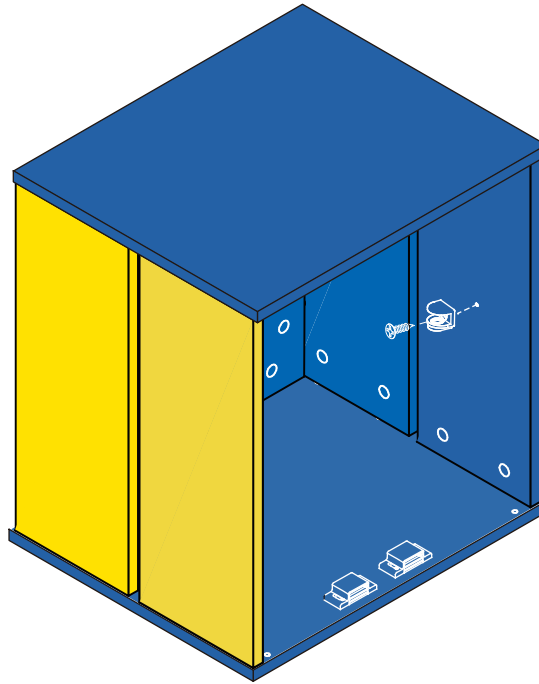
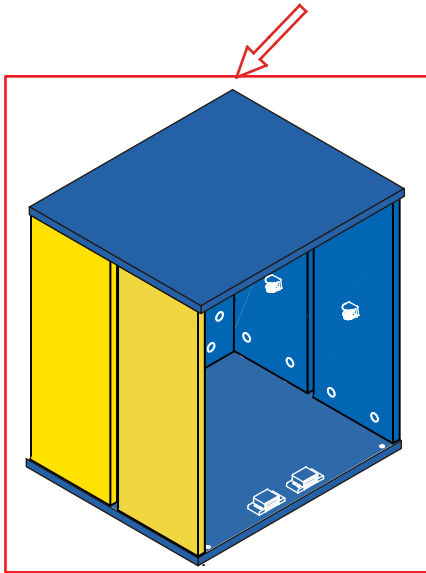


20

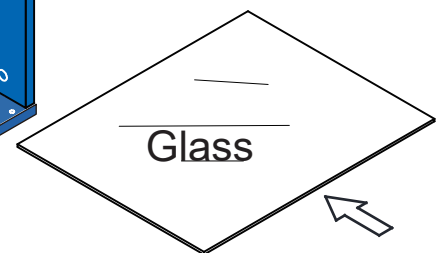
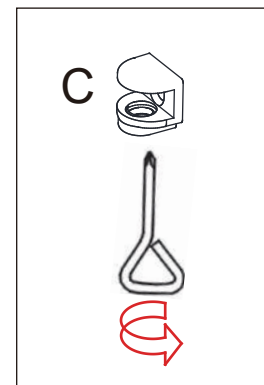
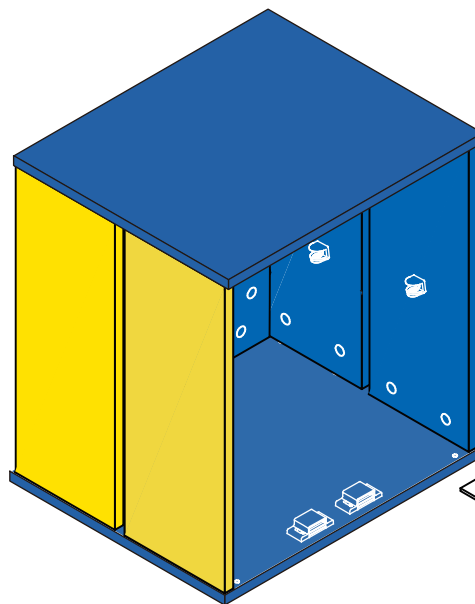
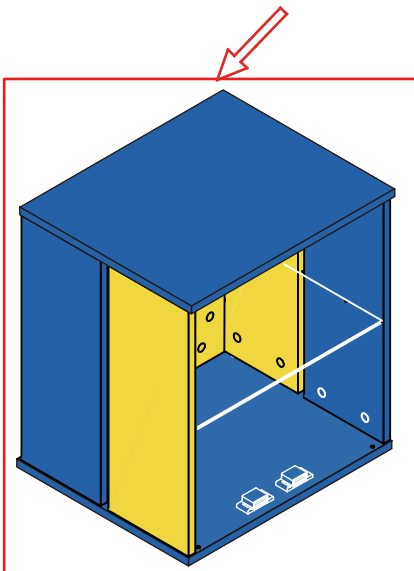


# INSTRUCTION MANUAL

## Step 6

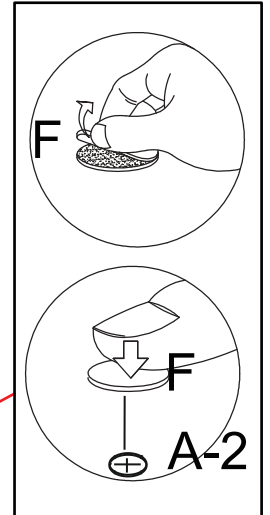
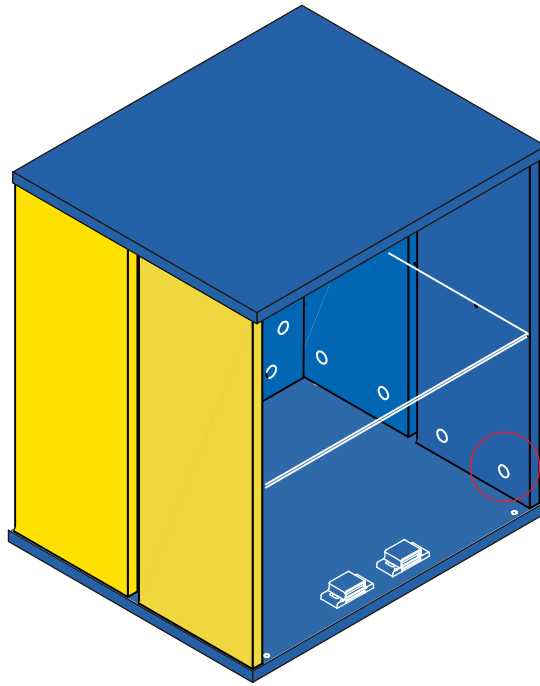
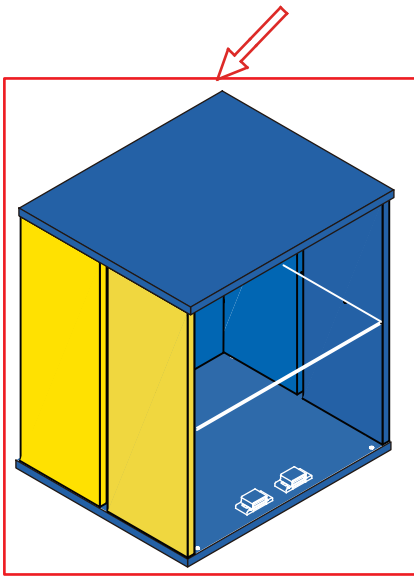


## Step 7

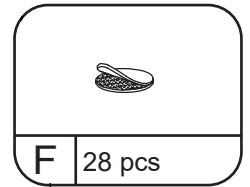


# INSTRUCTION MANUAL

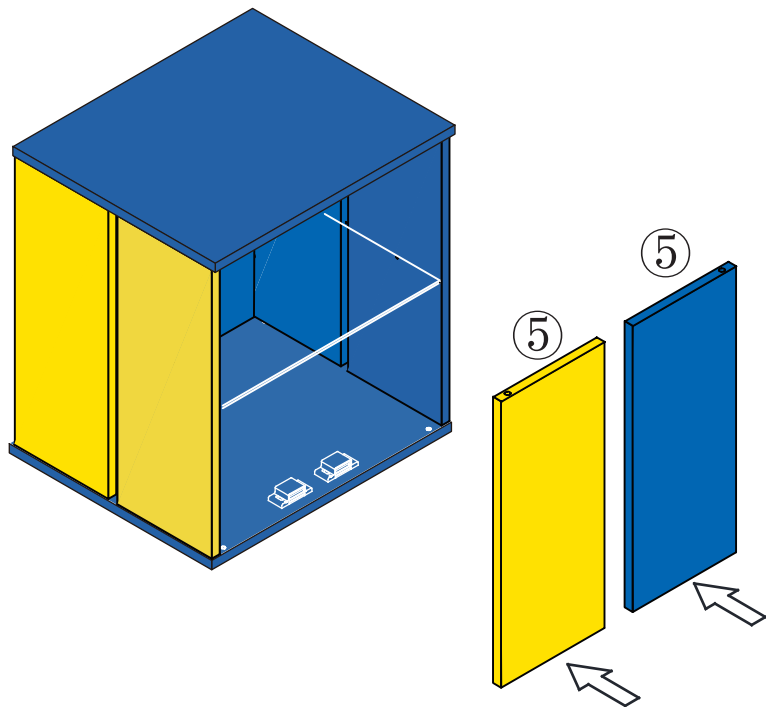
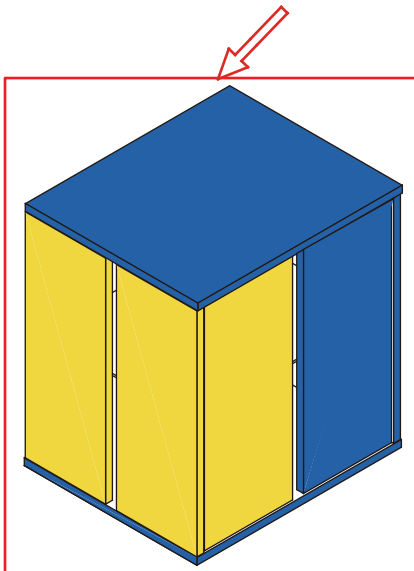
## Step 8



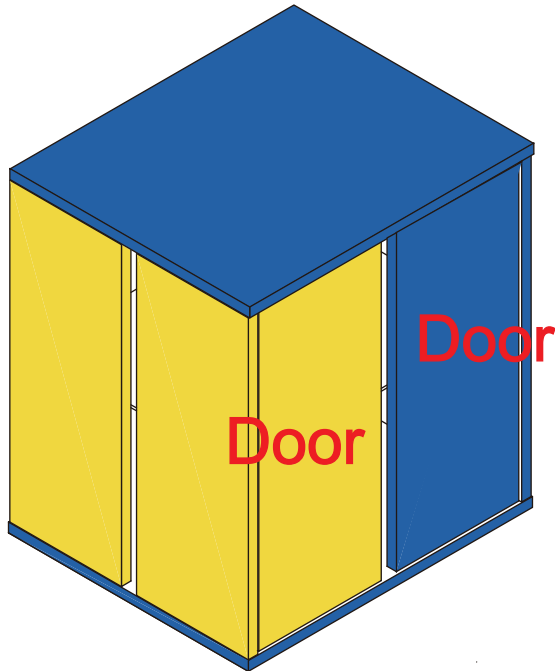
Please stick the hardware "F" on the exposed cam lock hole that makes your product more beautiful.



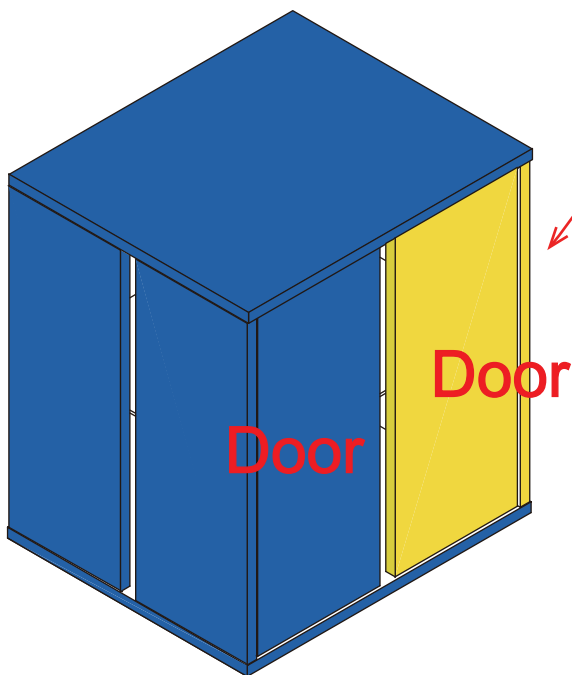
## Step 9



## Step 10

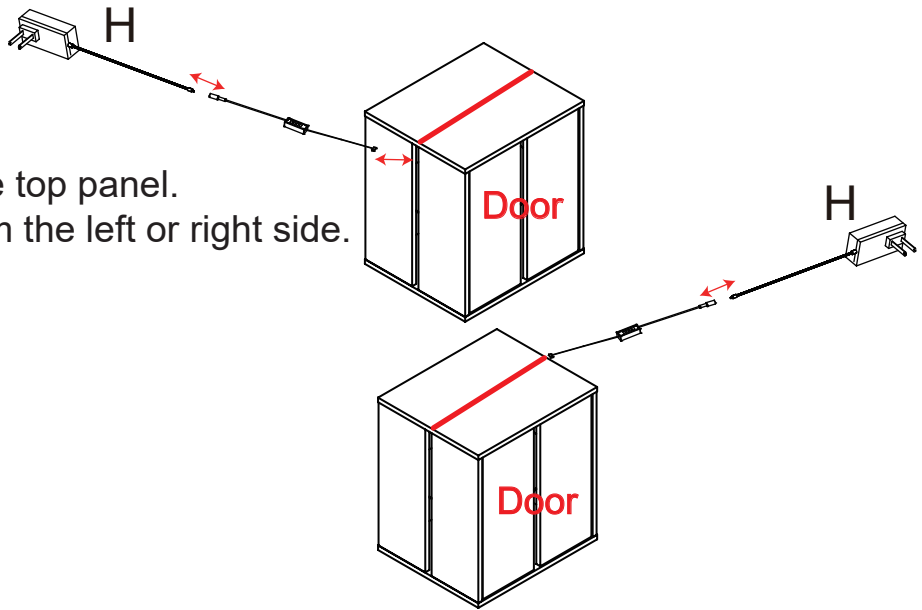


Rotate up  
and down  
 $180^\circ$

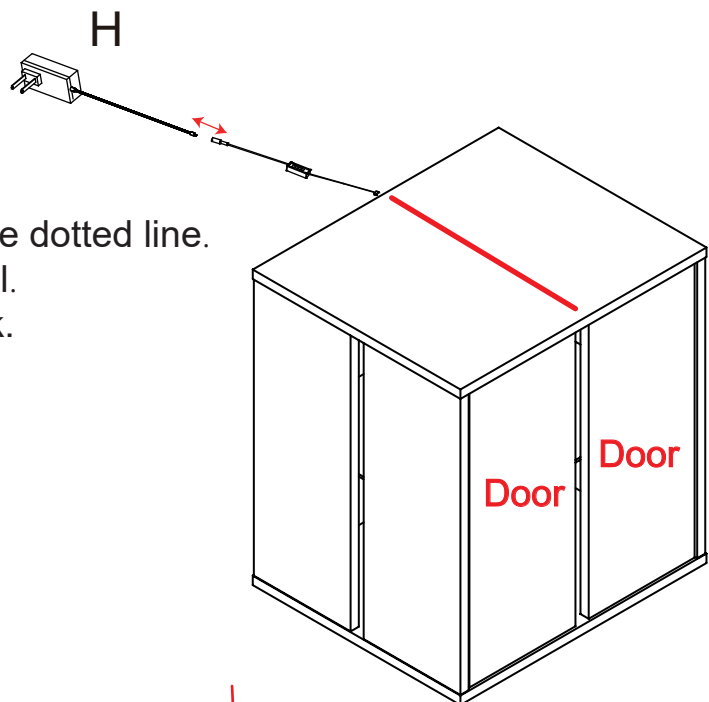


# INSTRUCTION MANUAL

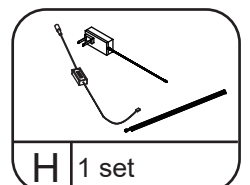
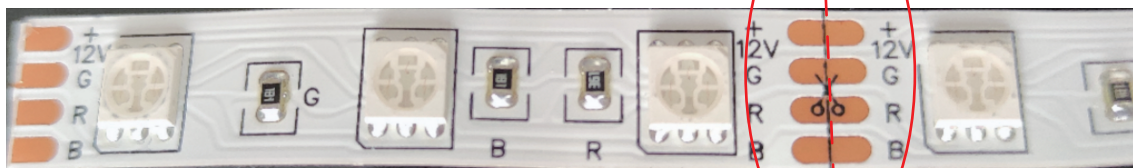
## Step 11



Stick the light strip under the top panel.  
Connect the power plug from the left or right side.



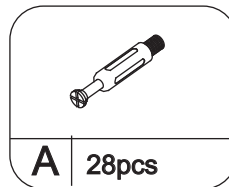
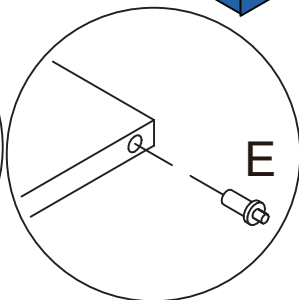
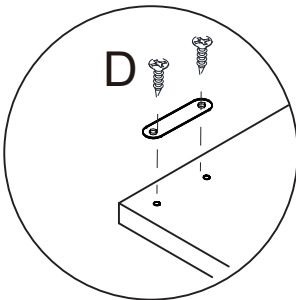
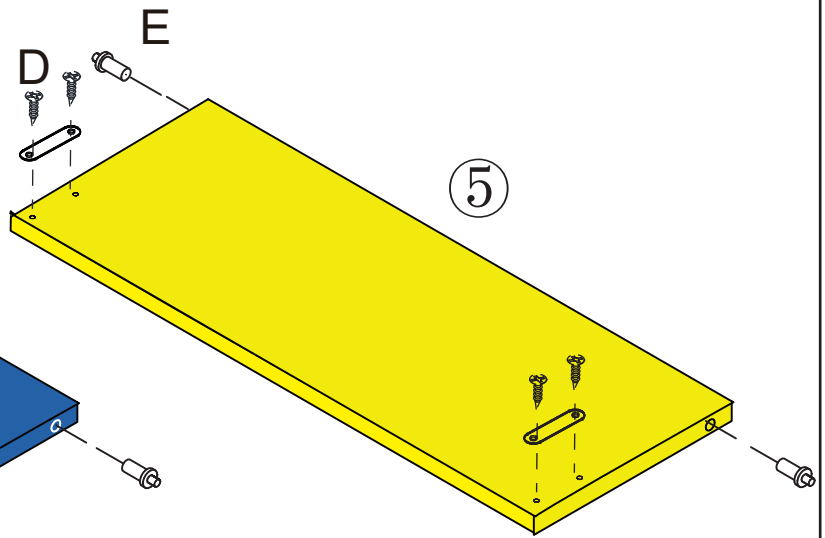
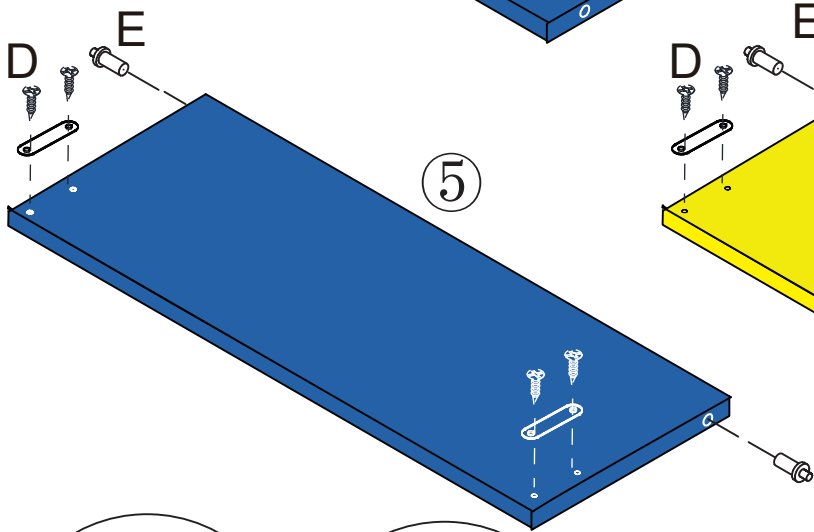
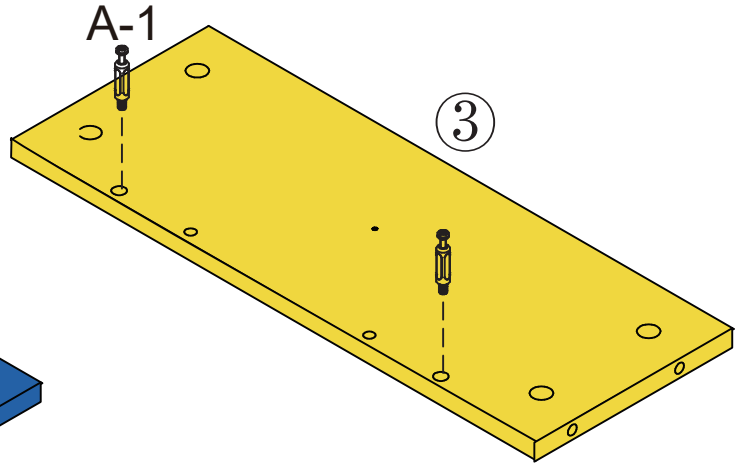
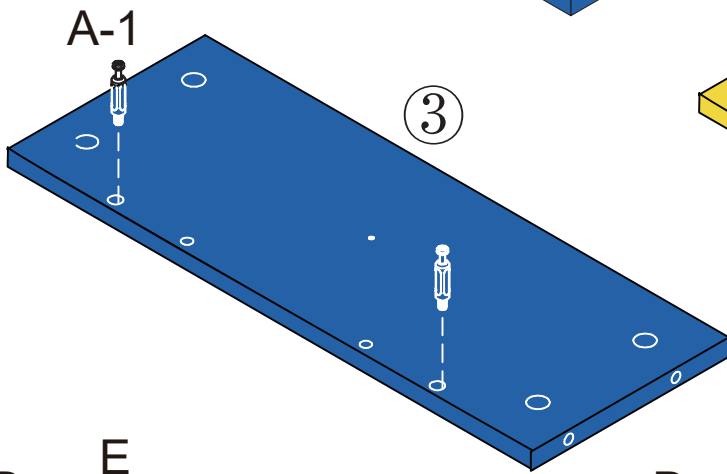
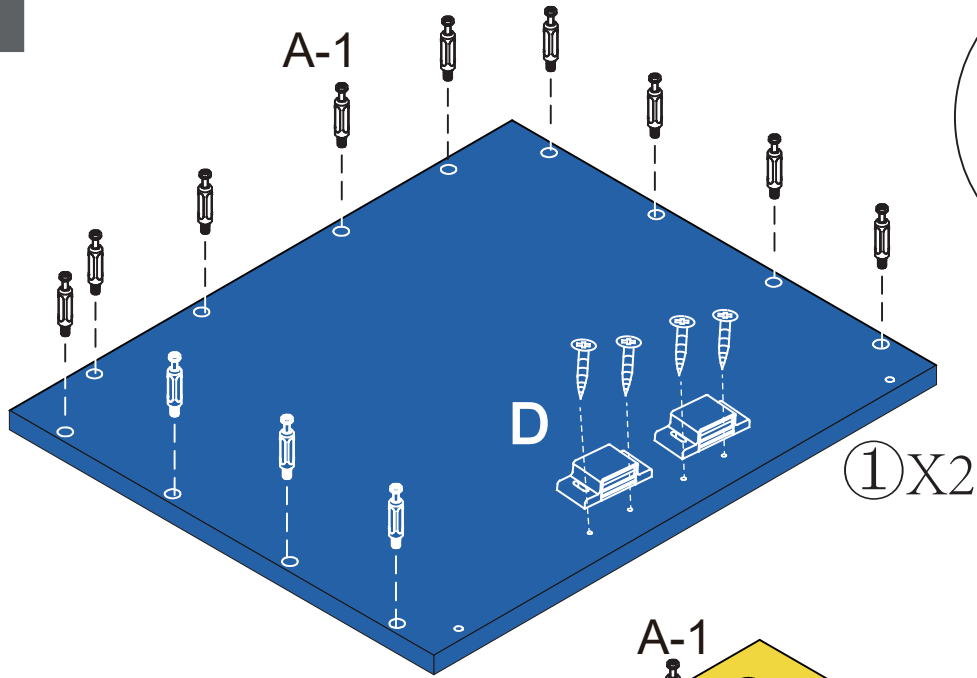
Cut 1 section of the light strip along the dotted line.  
Stick the light strip under the top panel.  
Connect the power plug from the back.



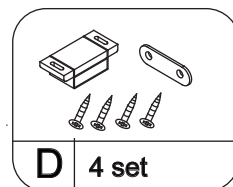


## Installation method 4

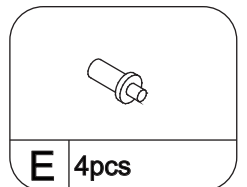
Step 1



A 28pcs



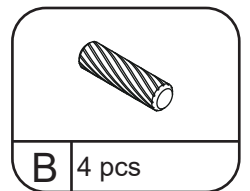
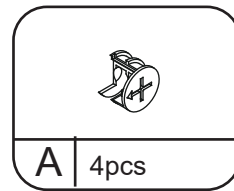
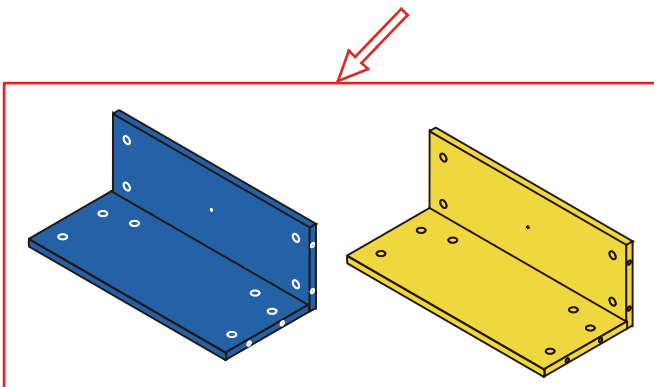
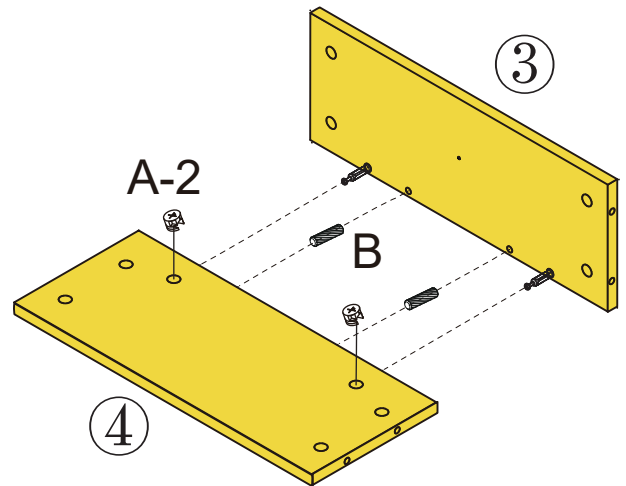
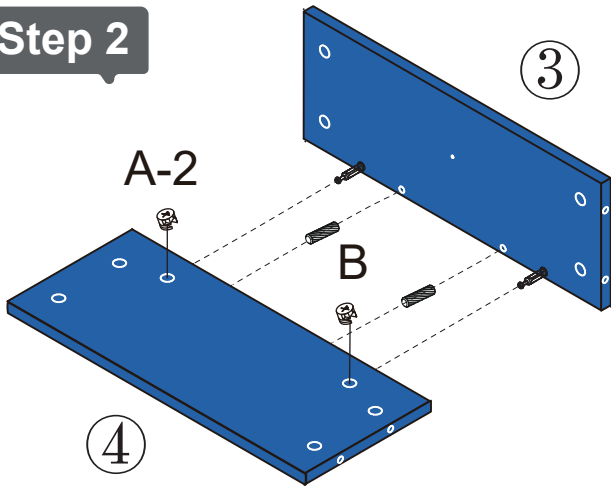
D 4 set



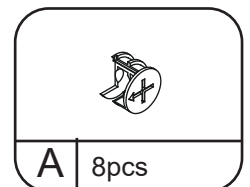
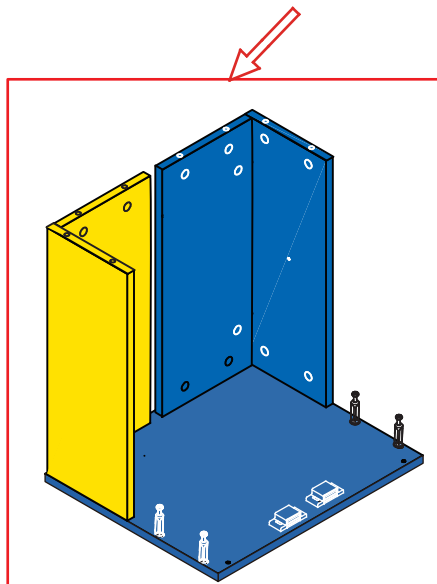
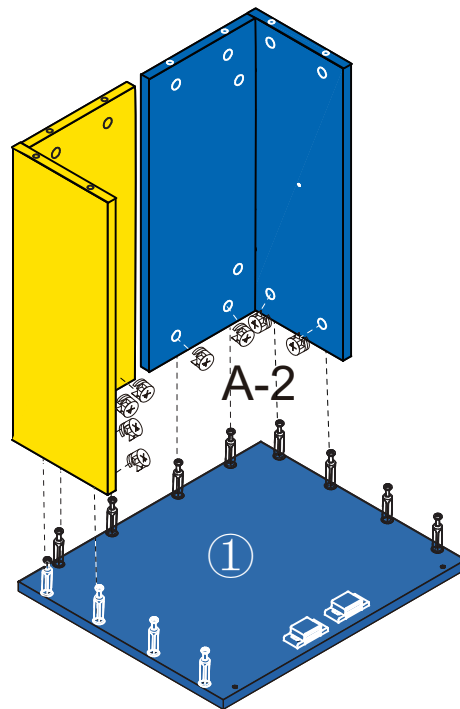
E 4pcs

# INSTRUCTION MANUAL

## Step 2

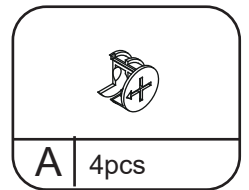
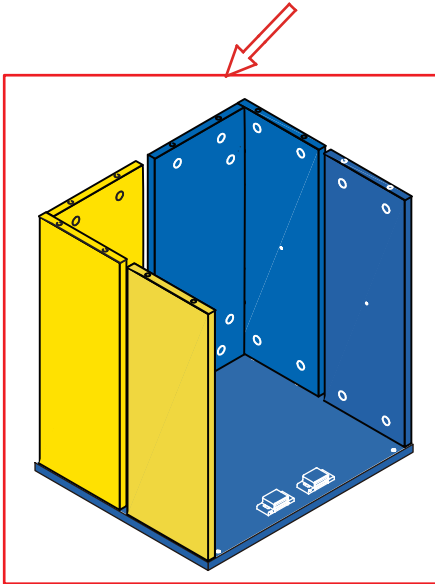
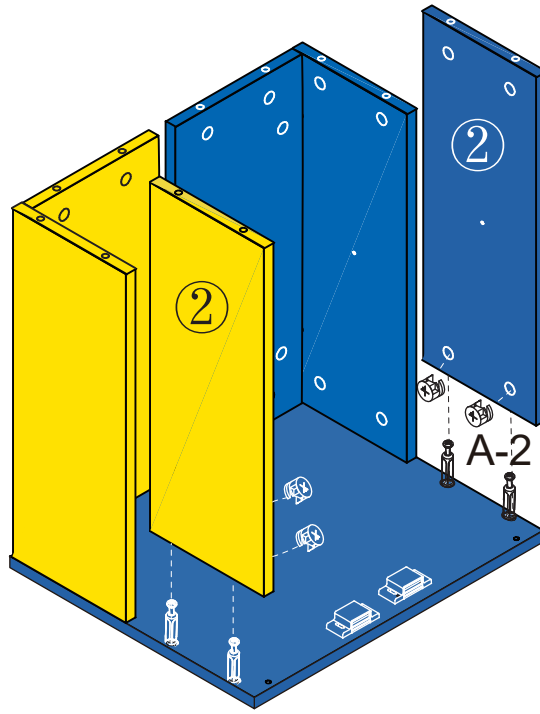


## Step 3

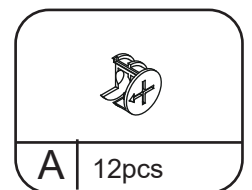
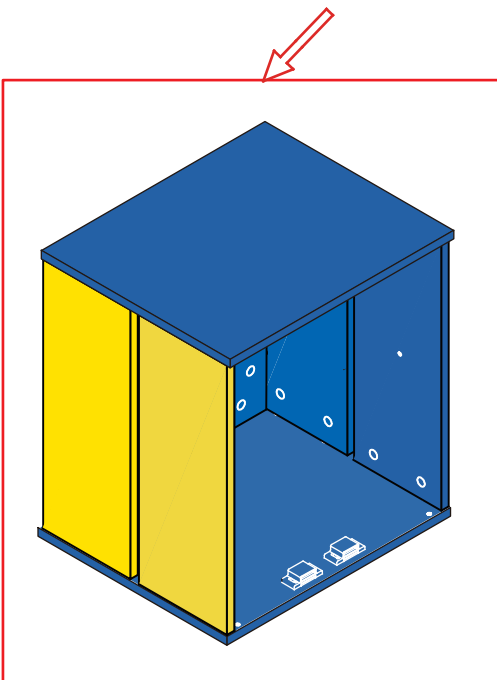
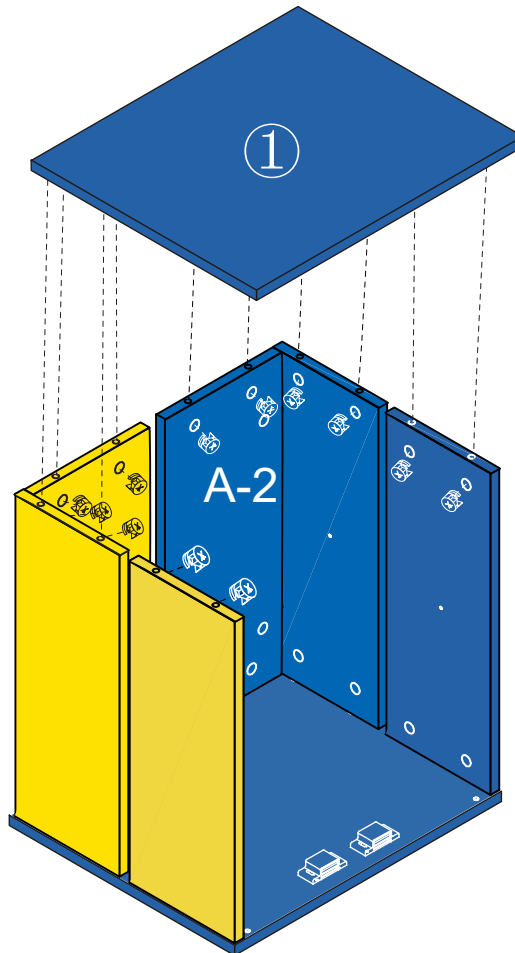


# INSTRUCTION MANUAL

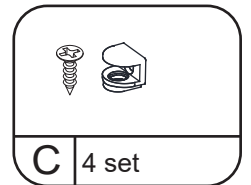
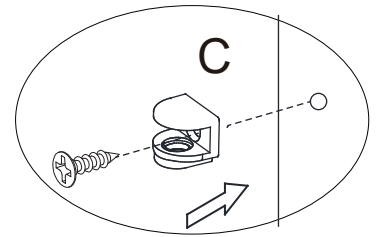
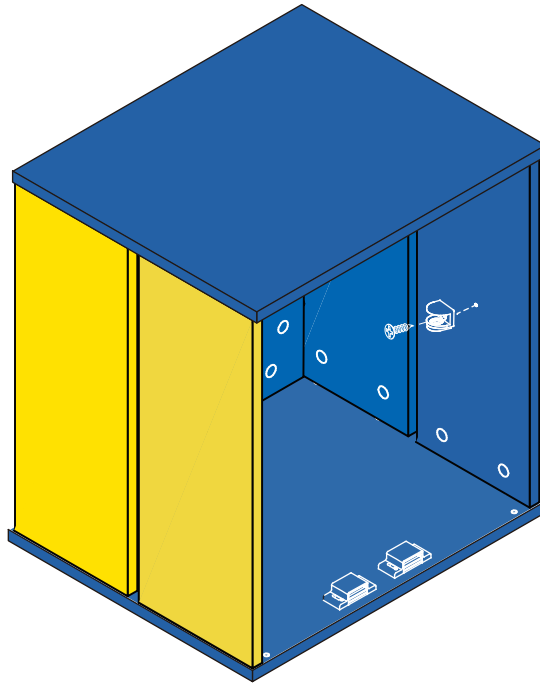
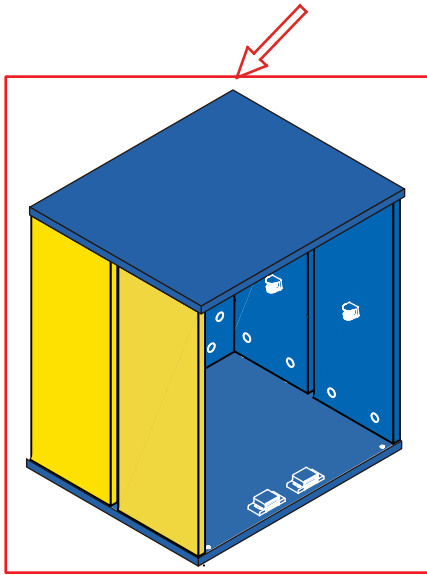
## Step 4



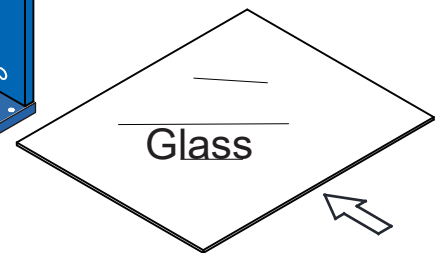
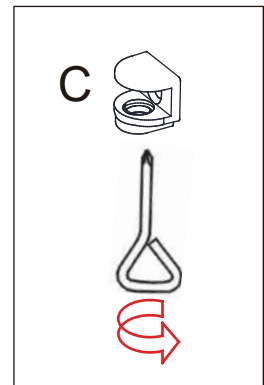
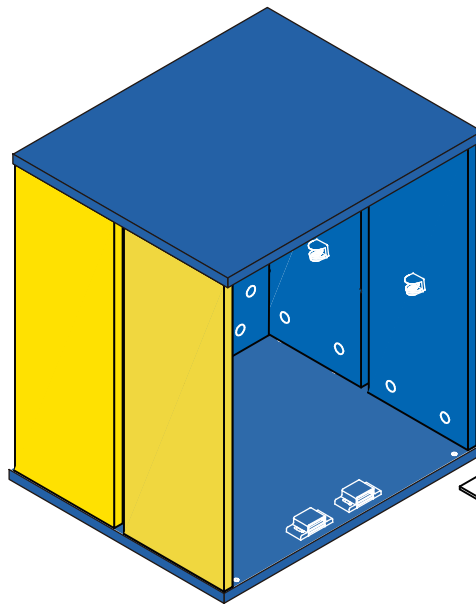
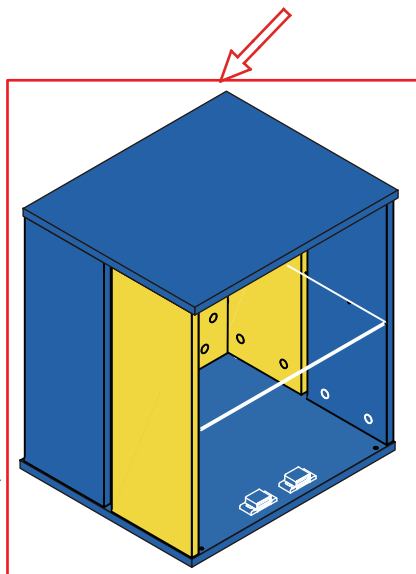
## Step 5



## Step 6

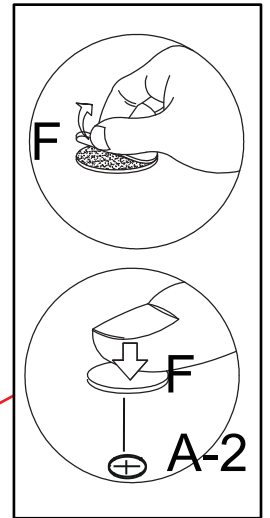
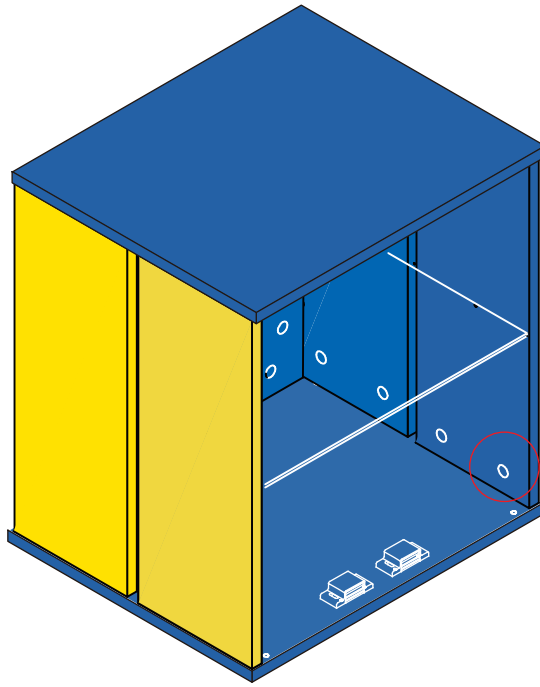
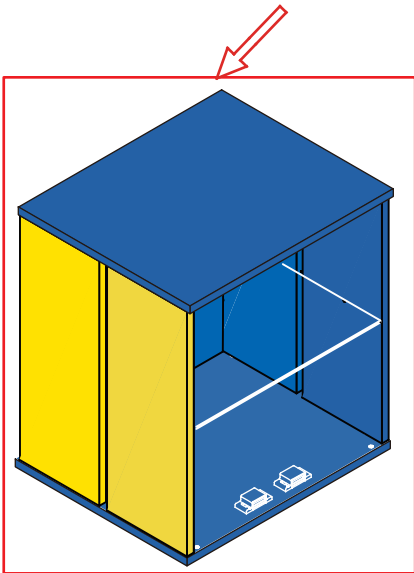


## Step 7

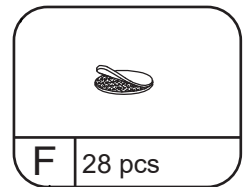


# INSTRUCTION MANUAL

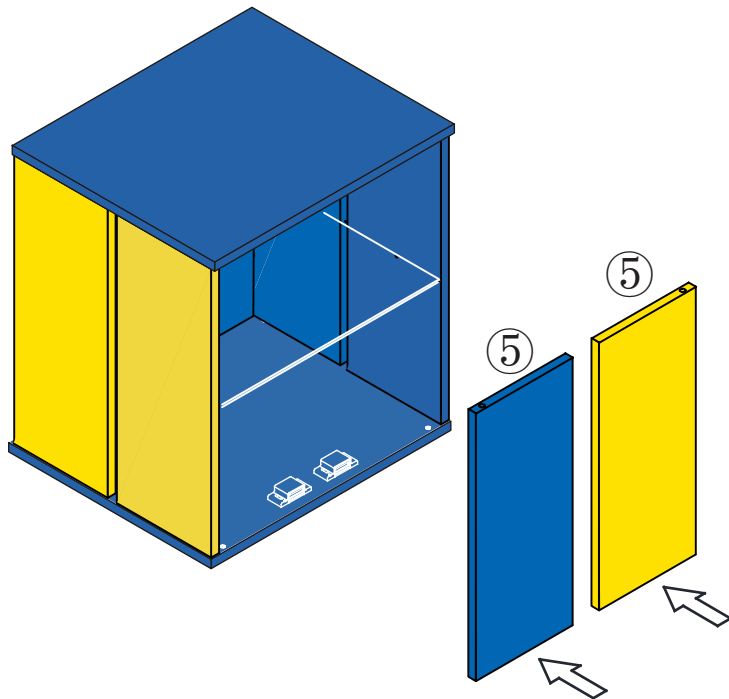
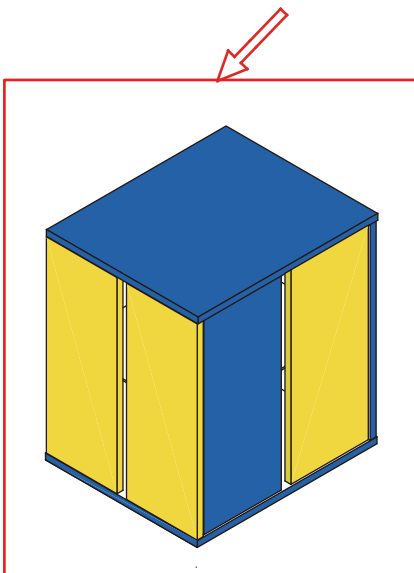
## Step 8



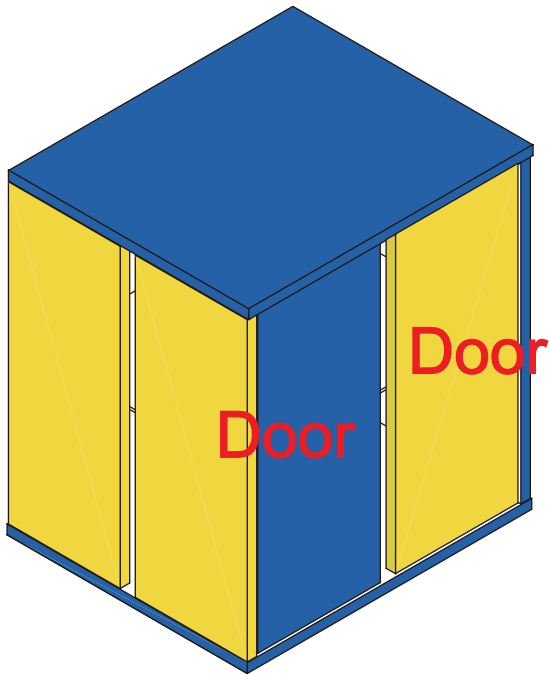
Please stick the hardware "F" on the exposed cam lock hole that makes your product more beautiful.



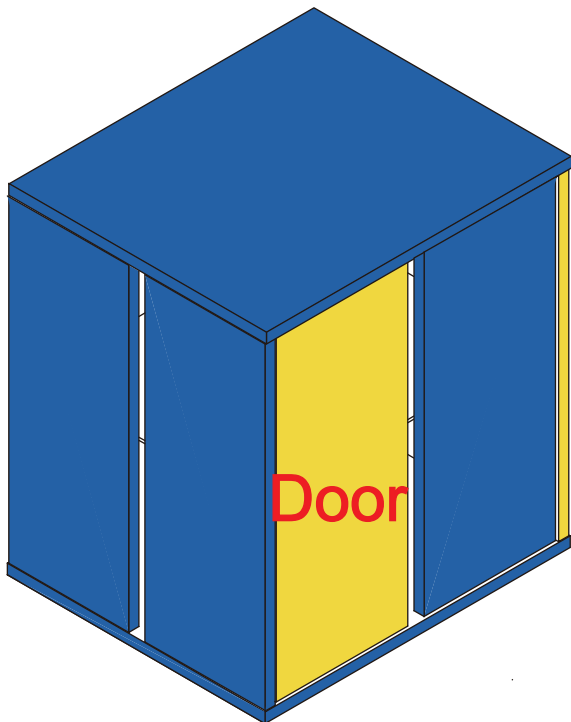
## Step 9



Step 10



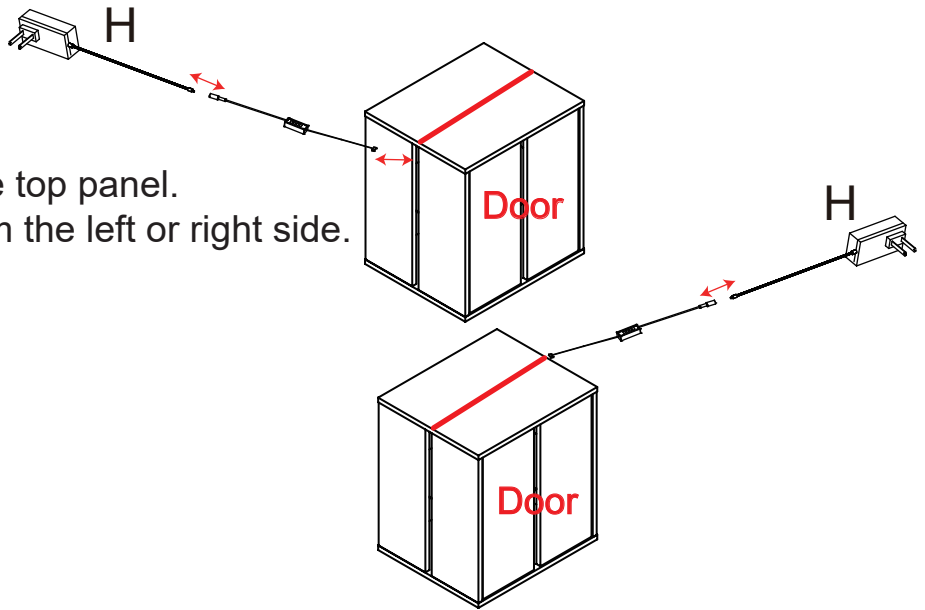
Rotate up  
and down  
 $180^\circ$



# INSTRUCTION MANUAL

## Step 11

Stick the light strip under the top panel.  
Connect the power plug from the left or right side.



Cut 1 section of the light strip along the dotted line.  
Stick the light strip under the top panel.  
Connect the power plug from the back.

