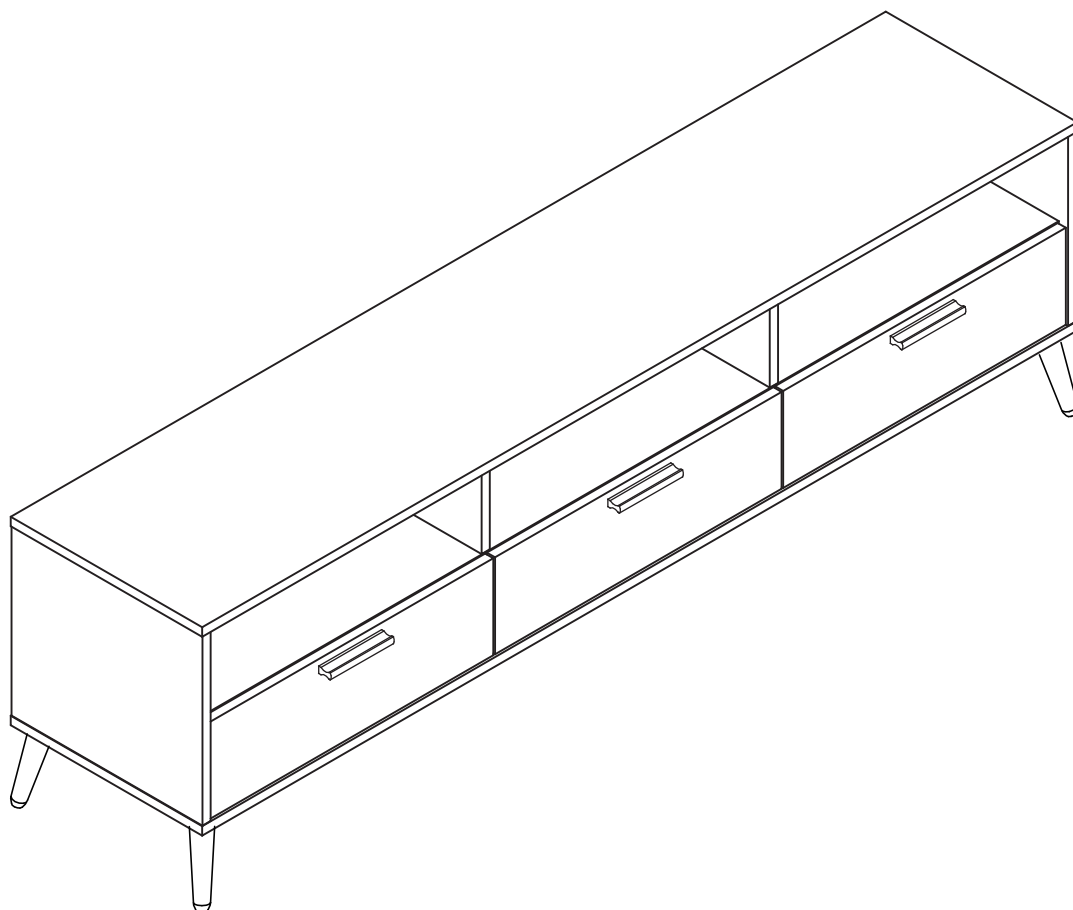
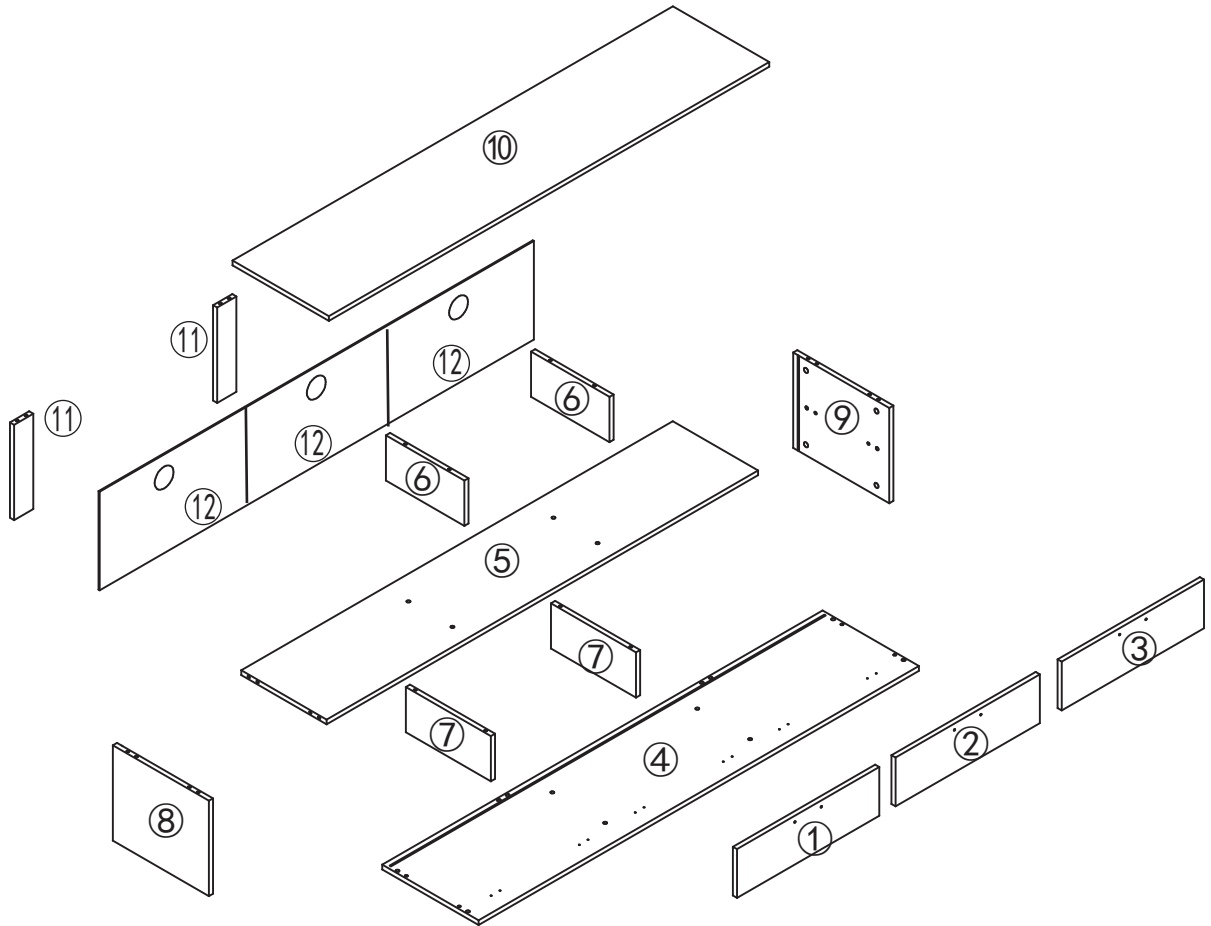


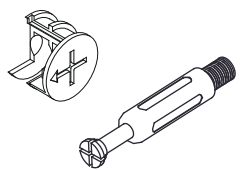
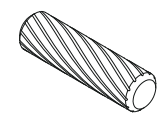
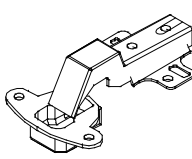
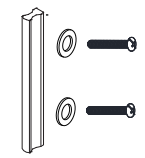
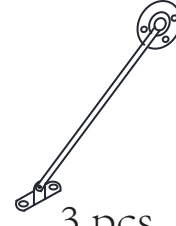
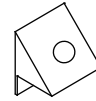

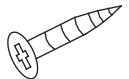
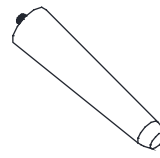

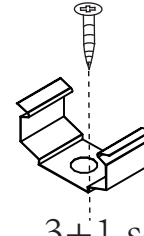
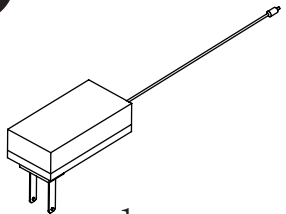
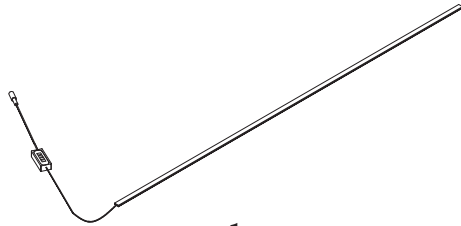

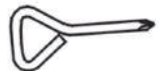
INSTRUCTION MANUAL



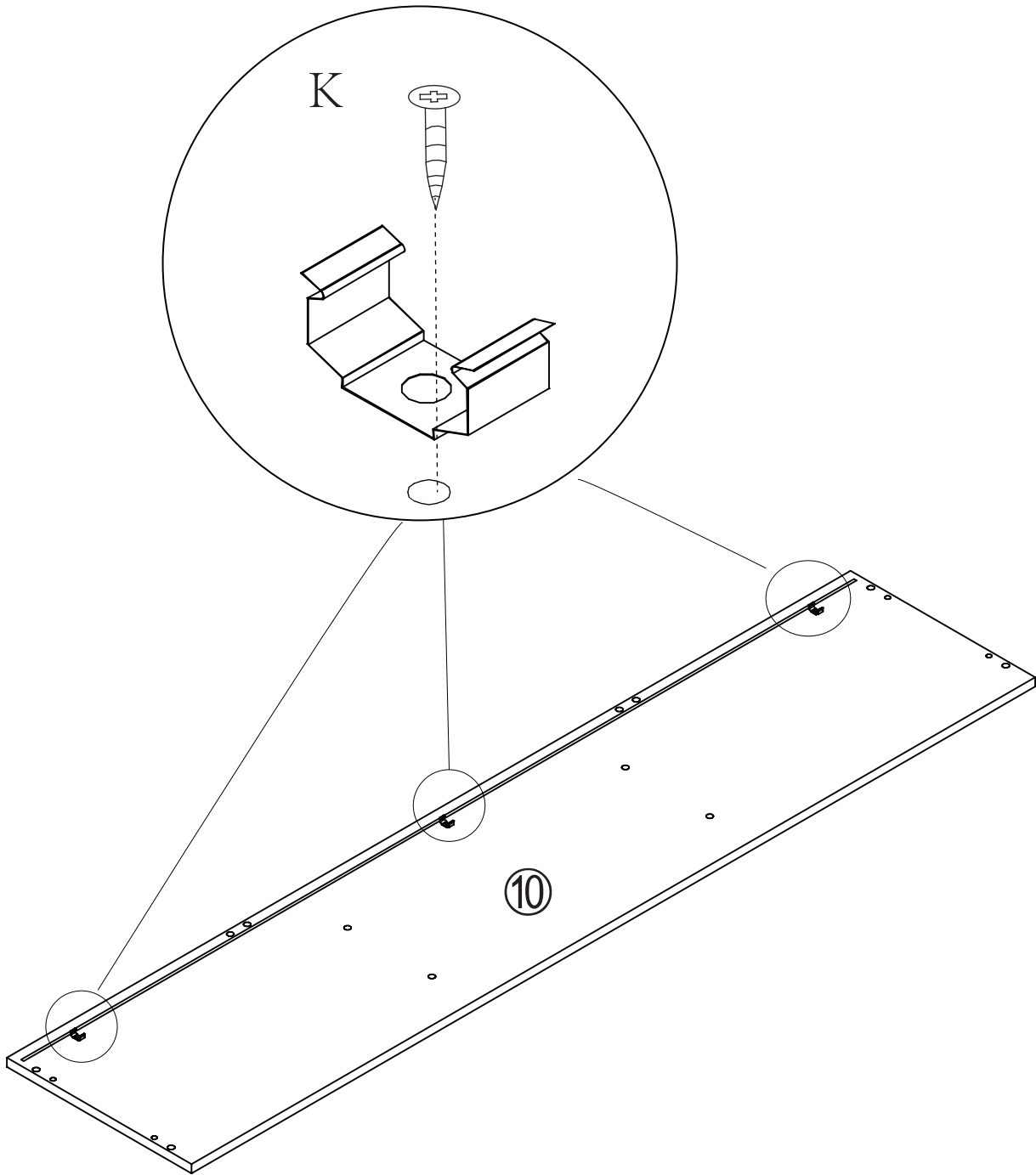
Customer service email: info@i-aplus.com

PARTS LIST

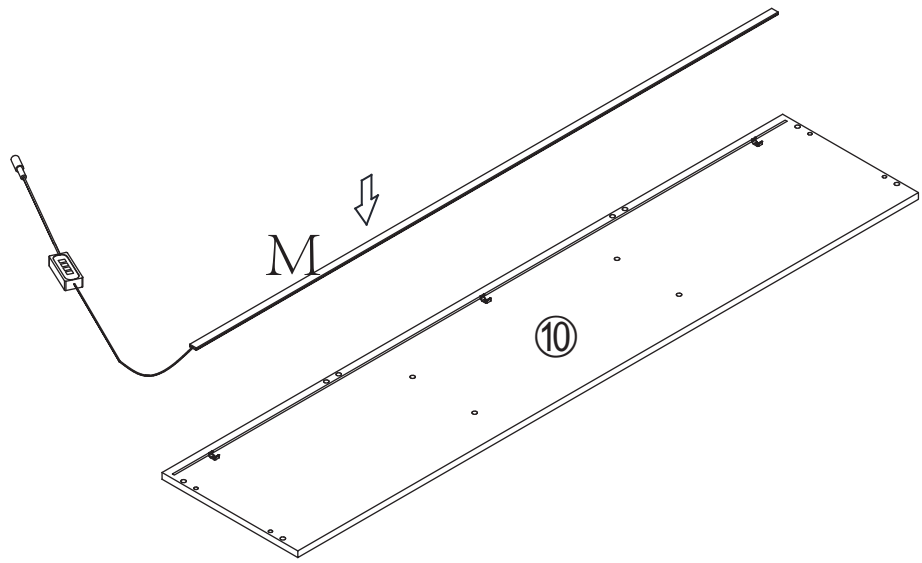
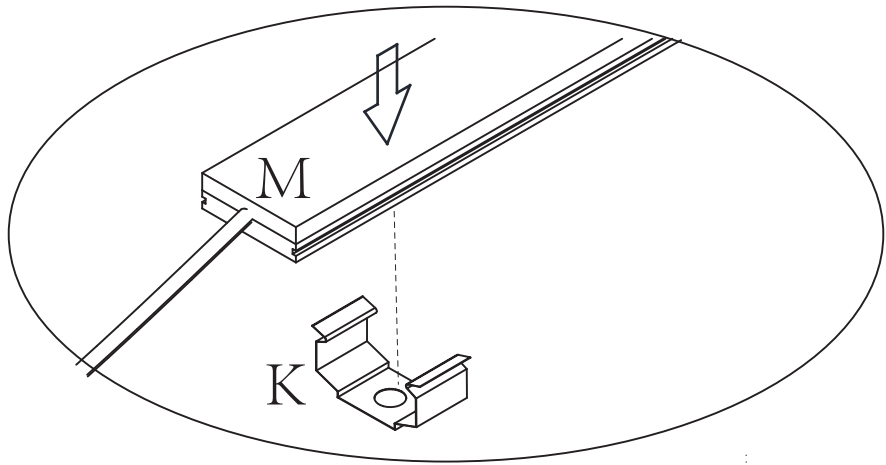


<p>A</p>  <p>36+2 set</p>	<p>B</p> <p>φ8*30mm</p>  <p>12+2 pcs</p>	<p>C</p>  <p>6 pcs</p>	<p>D</p>  <p>3 set</p>
<p>E</p>  <p>3 pcs</p>	<p>F</p>  <p>8+1 pcs</p>	<p>G</p> <p>φ3.5*14mm</p>  <p>44+3 set</p>	<p>H</p> <p>φ3*14mm</p>  <p>15+3 set</p>
<p>I</p> <p>φ35*110mm</p>  <p>5 pcs</p>	<p>J</p>  <p>36+2 pcs</p>	<p>K</p>  <p>3+1 set</p>	<p>L</p>  <p>1 pcs</p>
<p>M</p>  <p>1 pcs</p>	<p>N</p>  <p>2 pcs</p>	<p>O</p>  <p>1 pcs</p>	

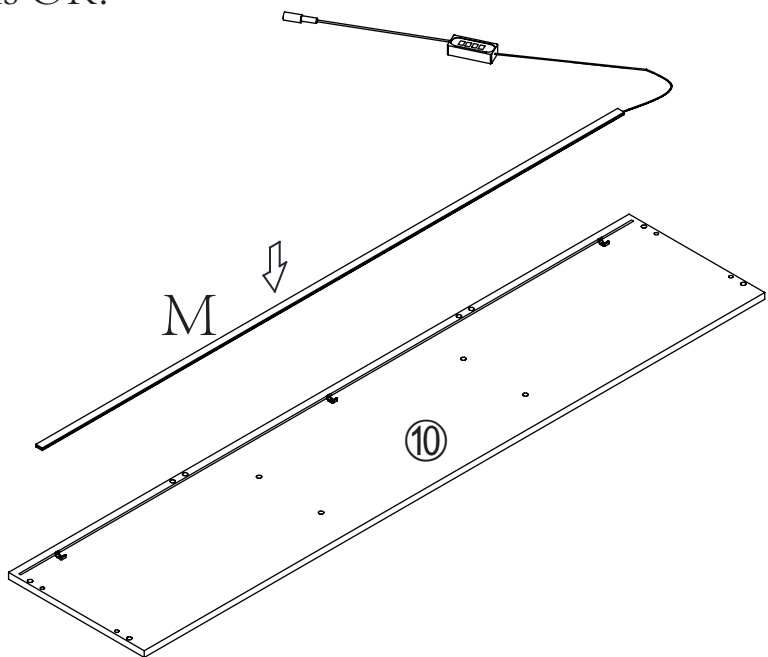
Step 1 K=3set



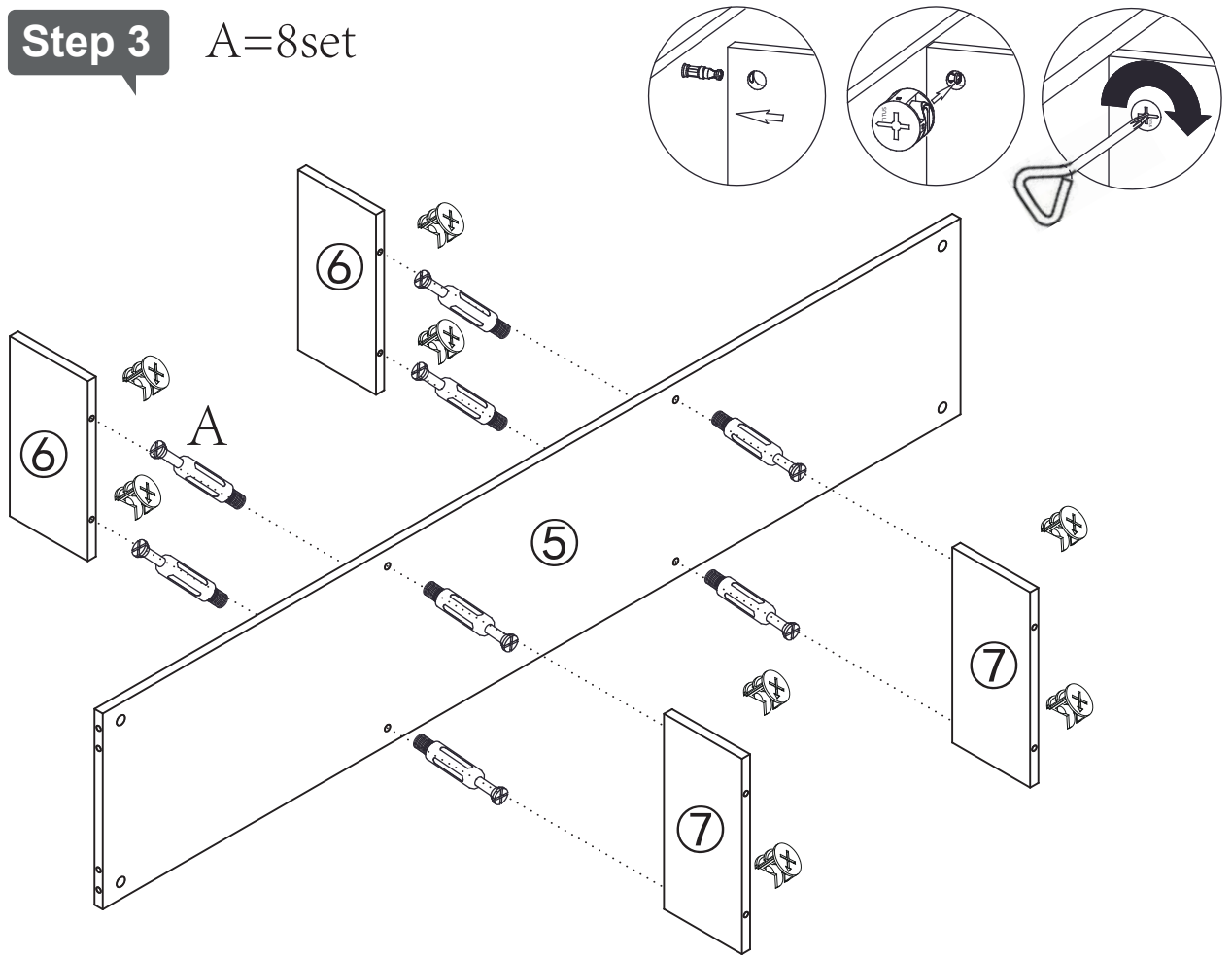
Step 2 M=1pcs



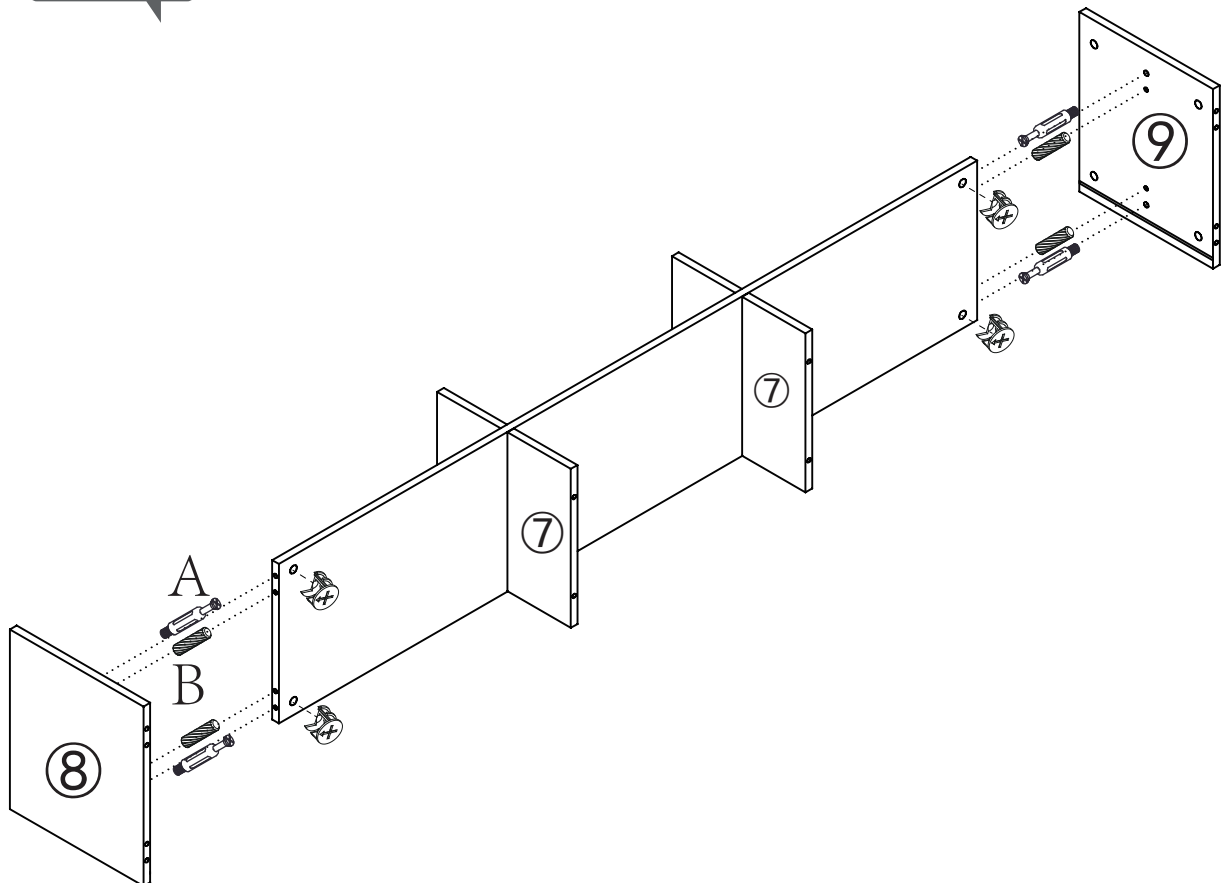
Note: The installation direction of the LED light strip can be left and right, either side is OK.



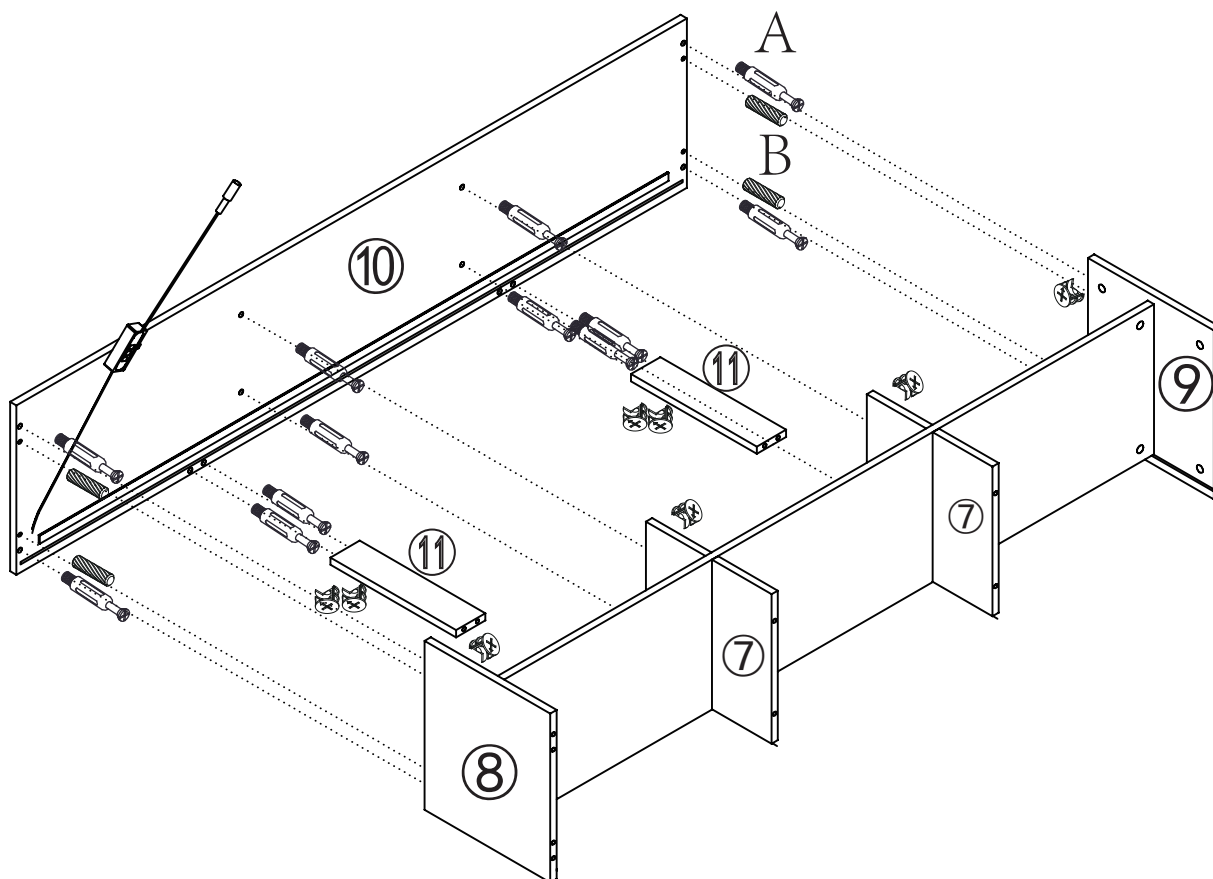
Step 3 A=8set



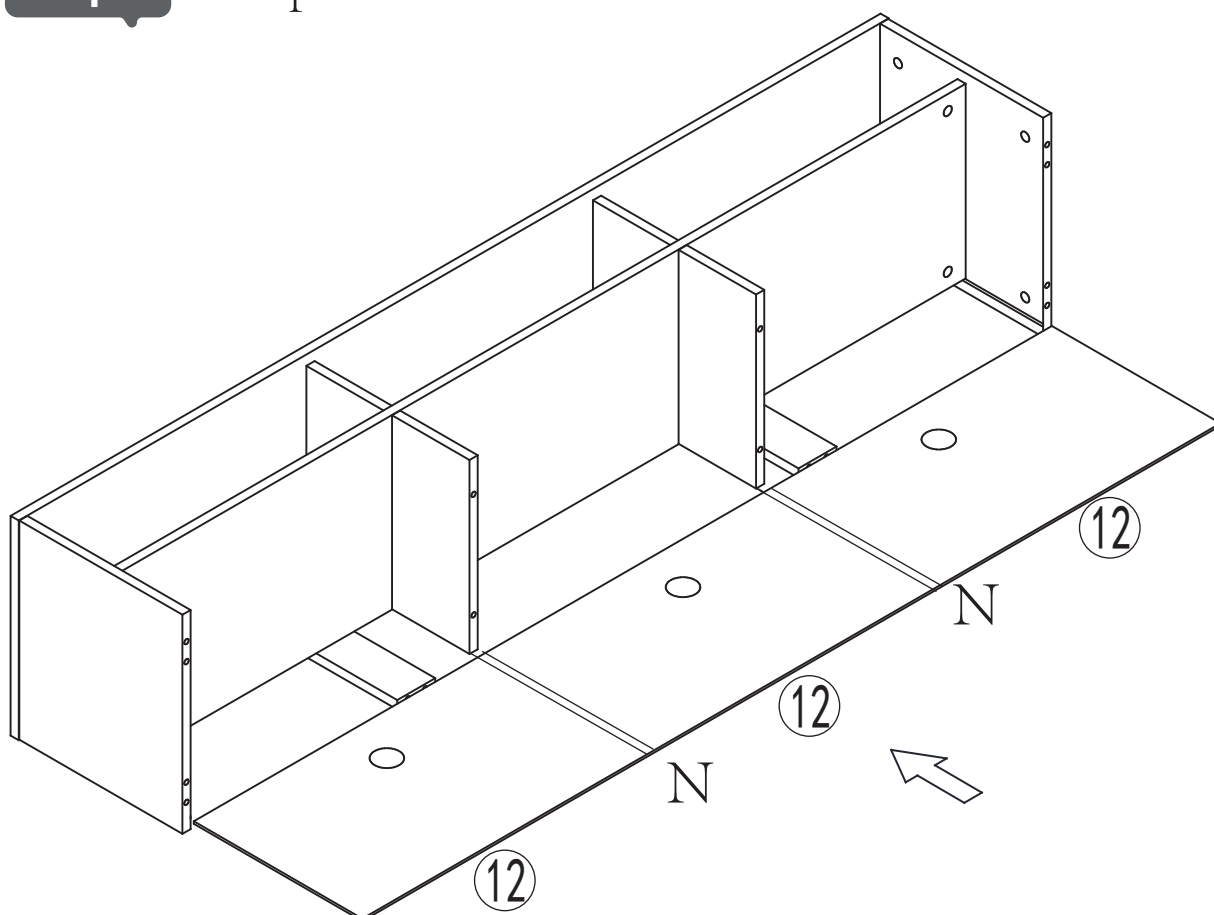
Step 4 A=4set B=4pcs



Step 5 A=12set B=4pcs



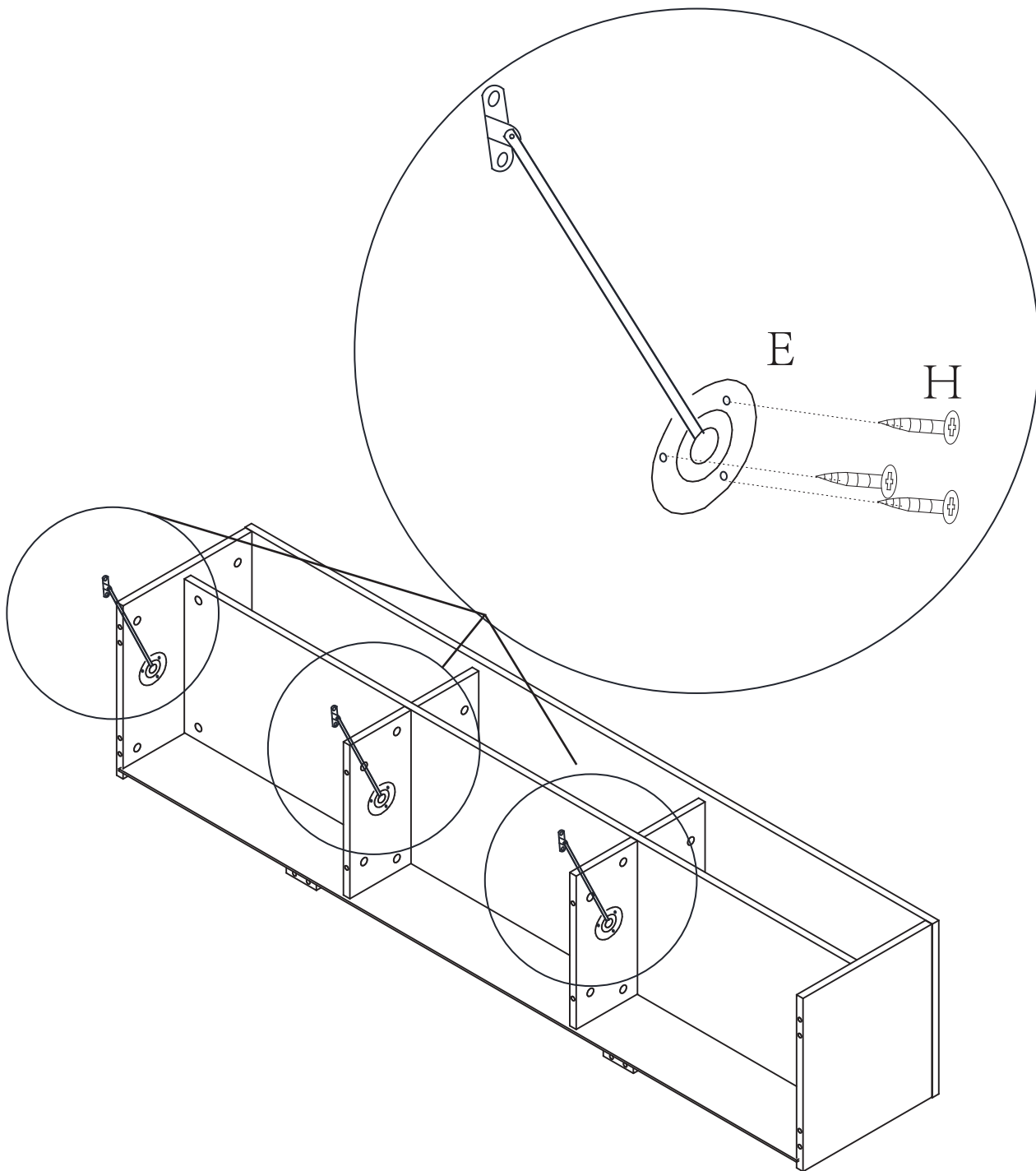
Step 6 N=2pcs



Step 7

E=3pcs

H=9pcs

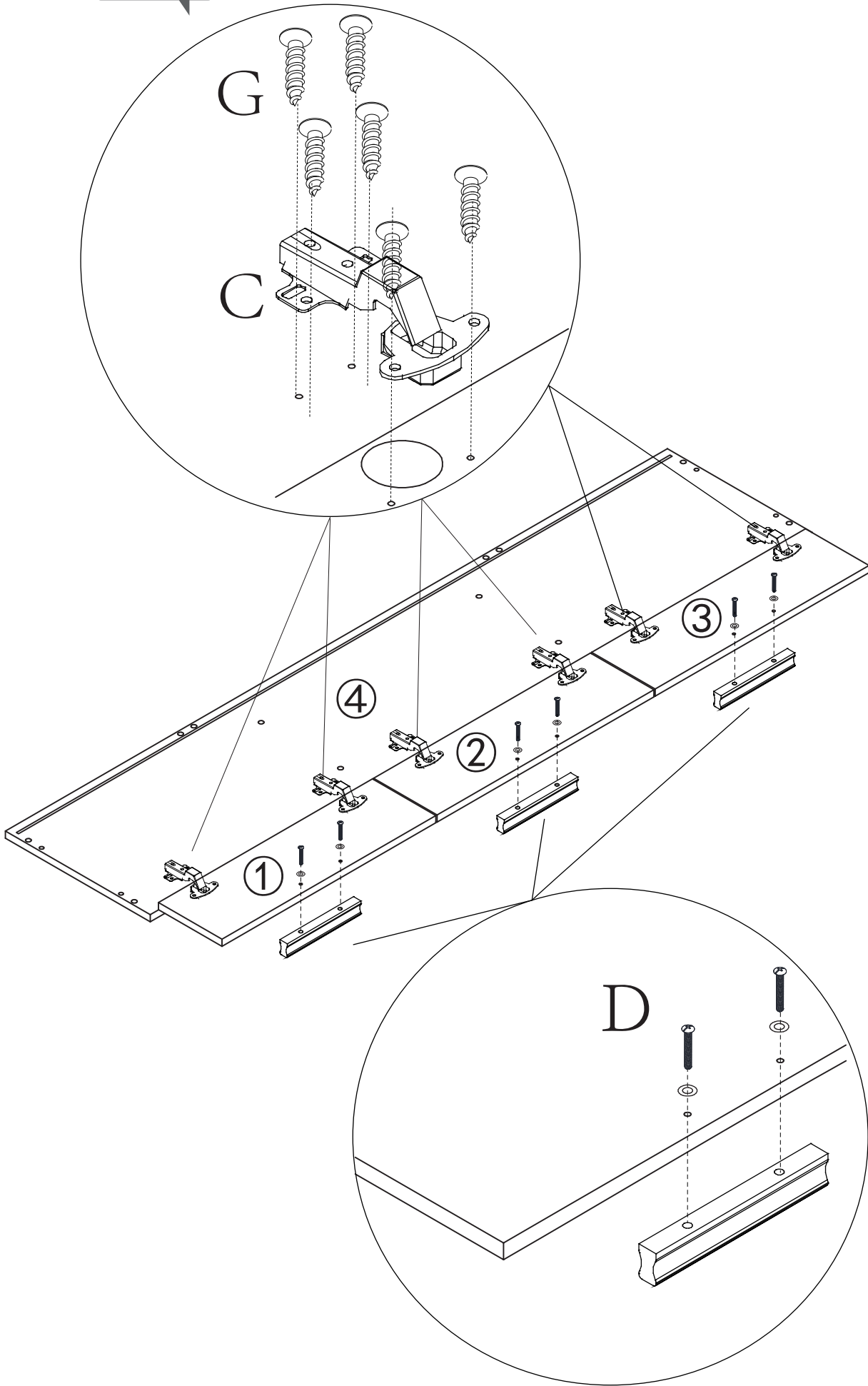


Step 8

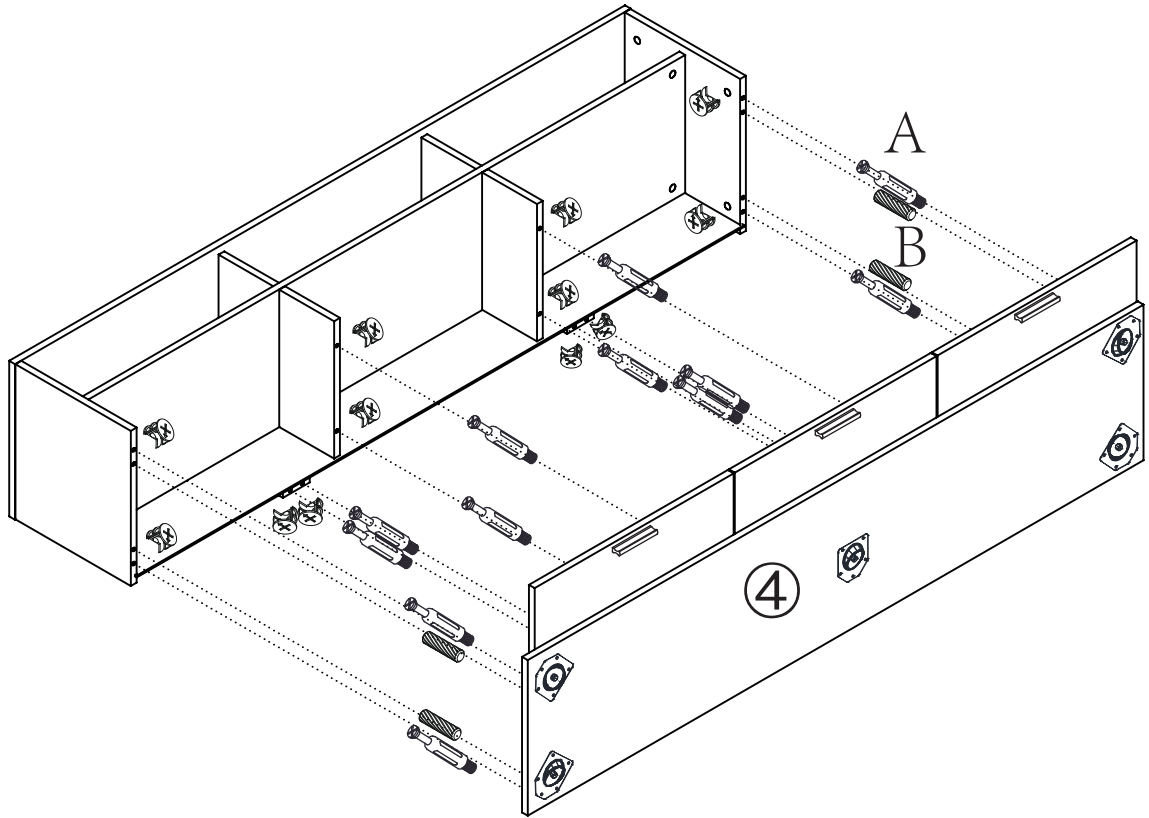
C=6pcs

D=3set

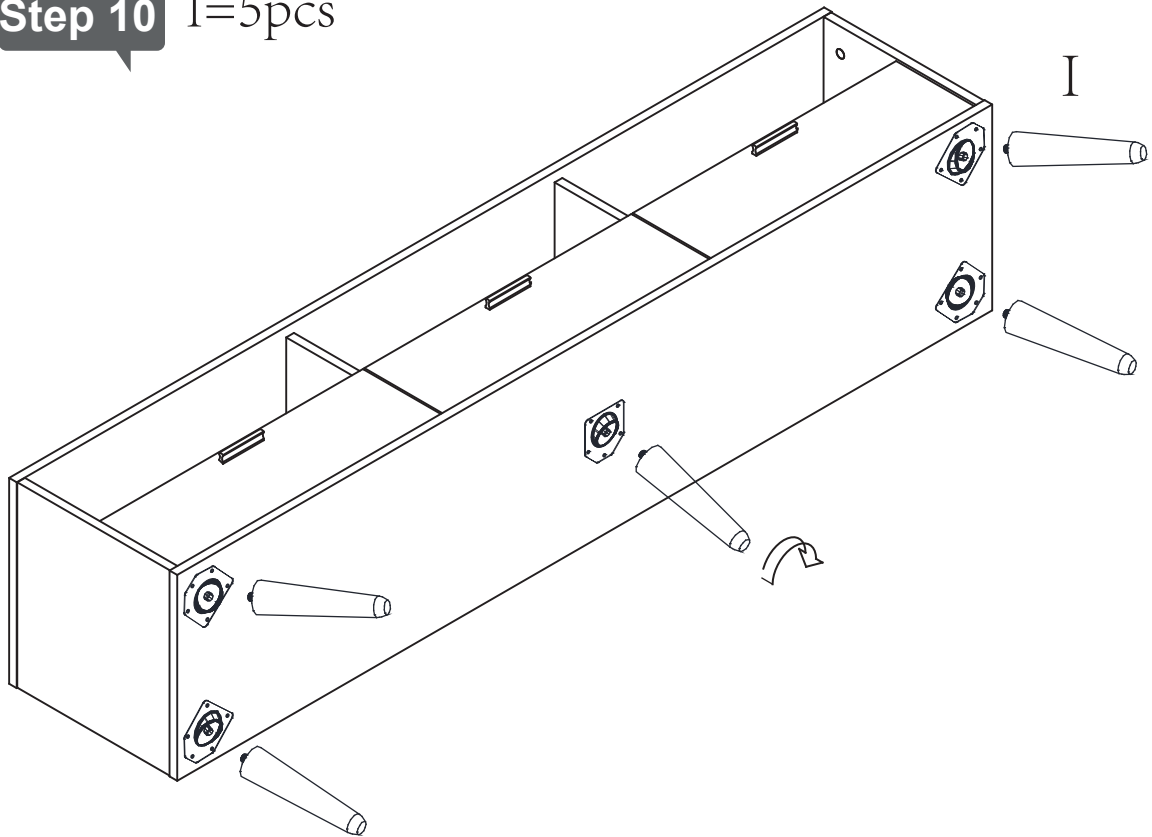
G=36pcs



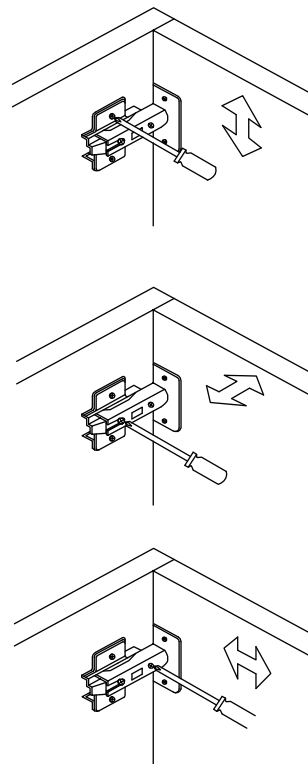
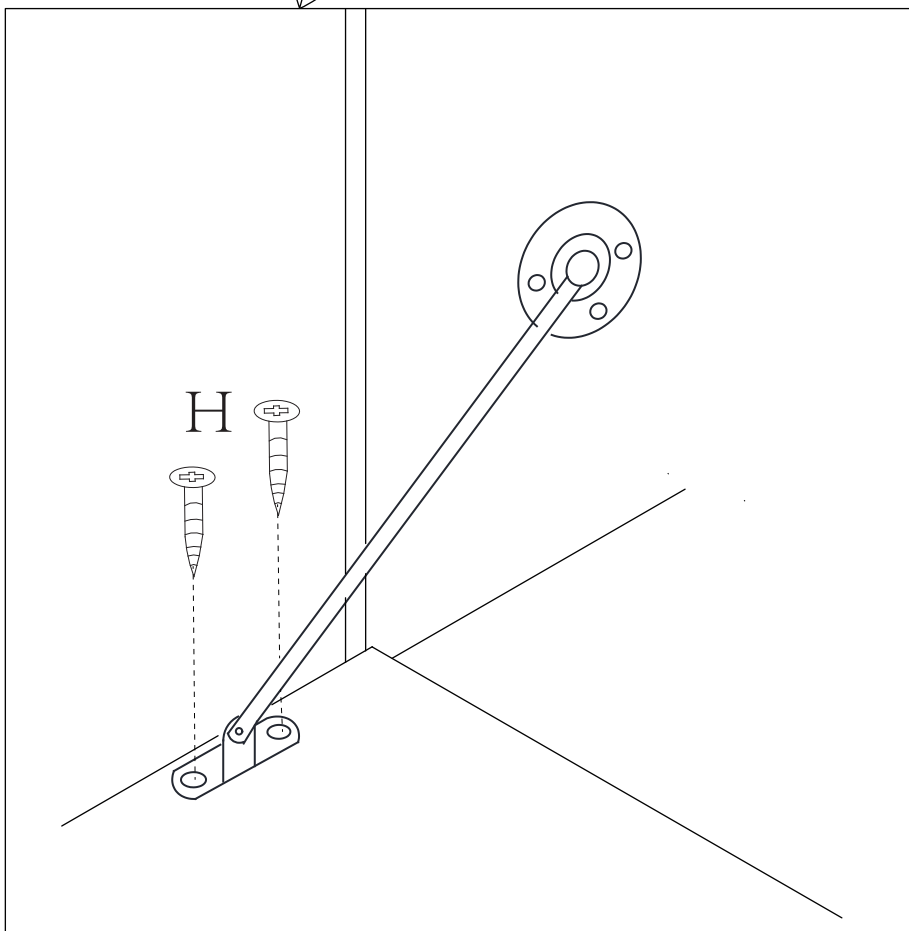
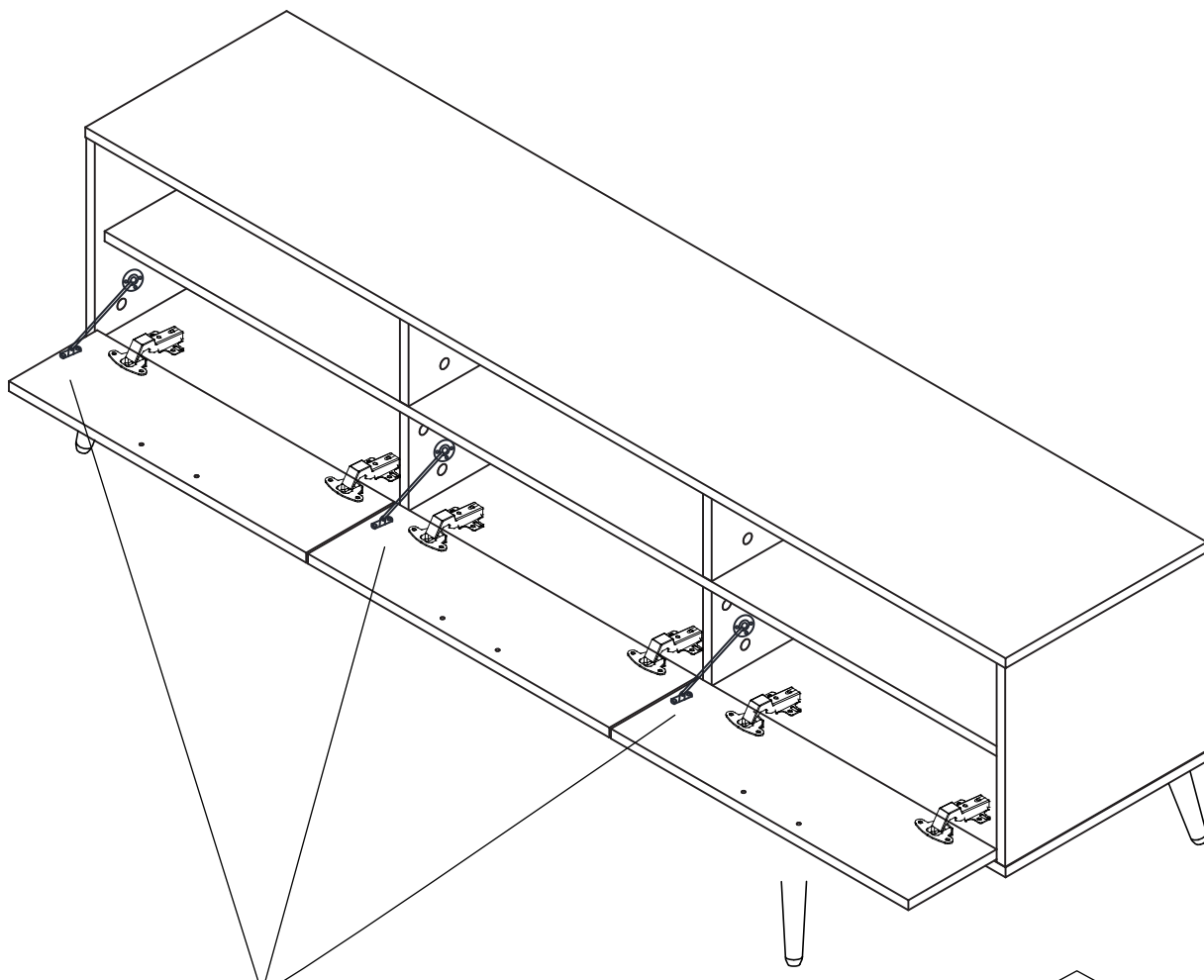
Step 9 A=12set B=4pcs



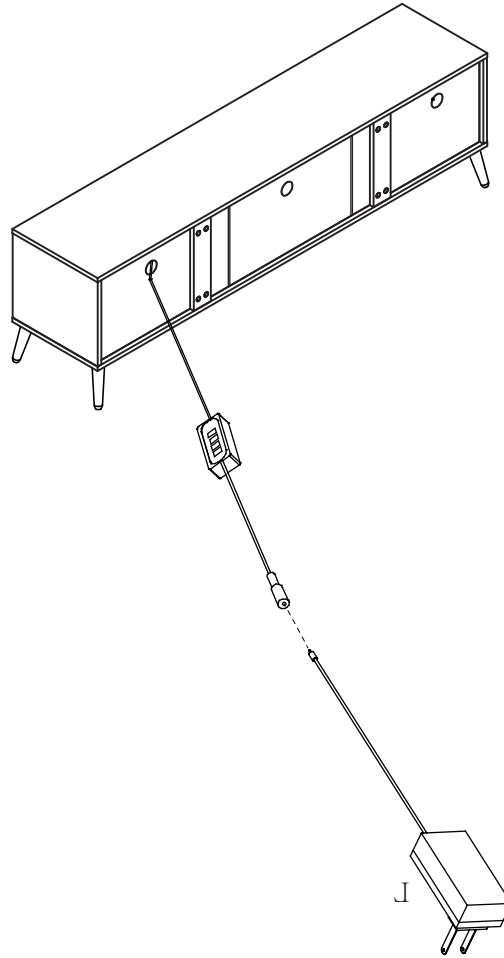
Step 10 I=5pcs



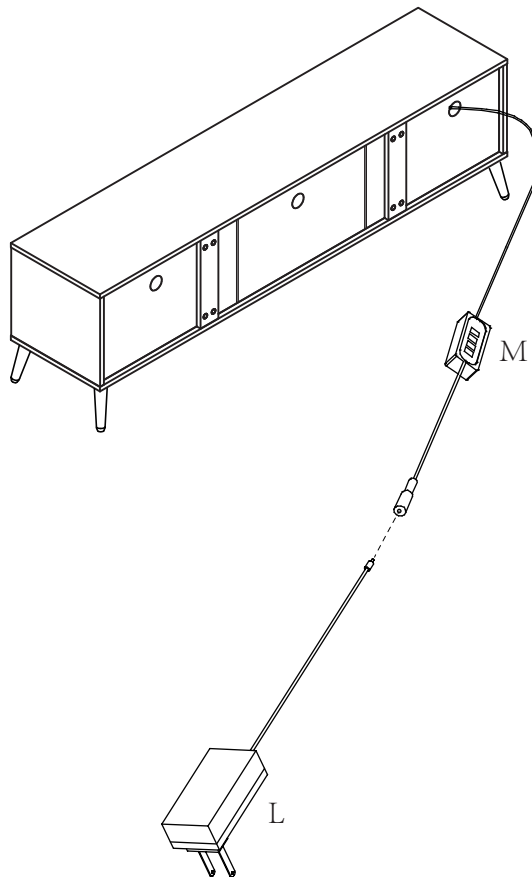
Step 11 H=6pcs



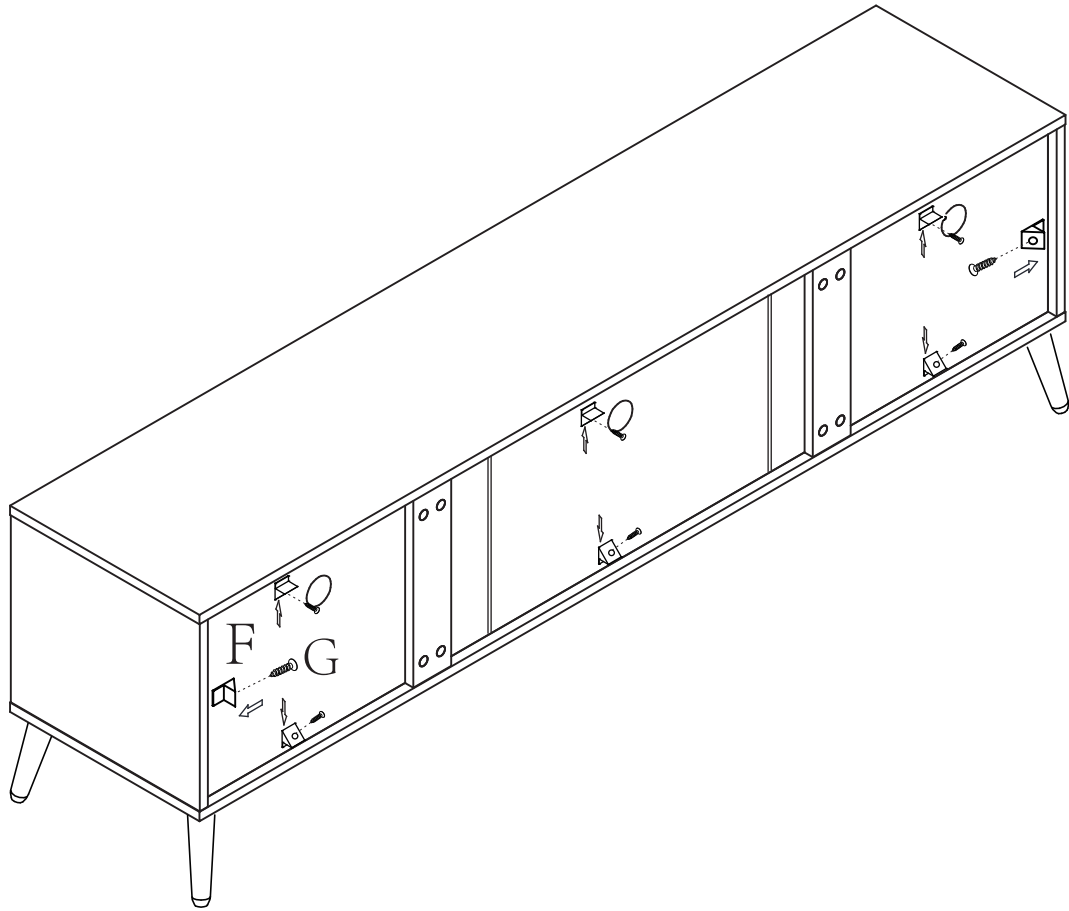
Step 12 L=1pcs



Note: The installation direction of the LED light strip can be left and right, either side is OK.



Step 13 F=8pcs G=8pcs



Step 14 J=36pcs

