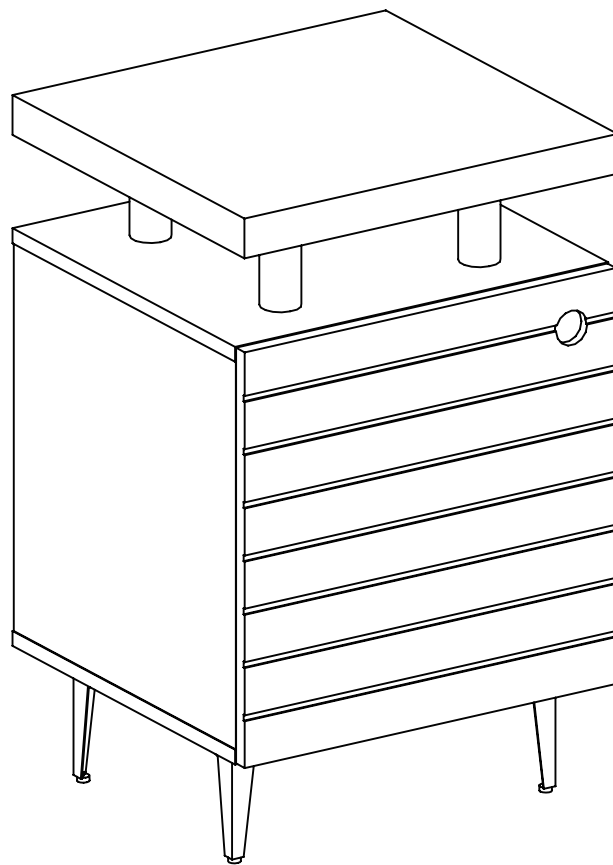


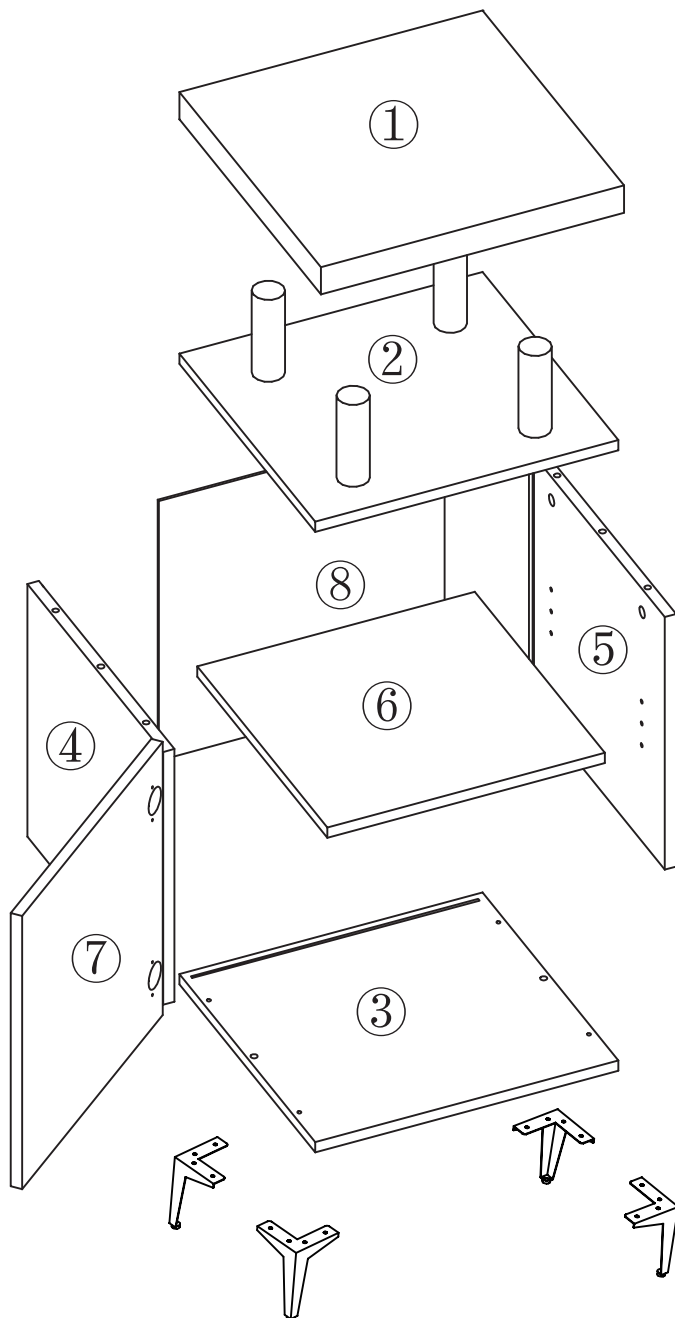
# INSTRUCTION MANUAL

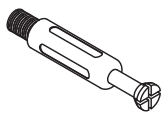

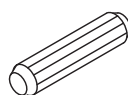
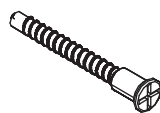
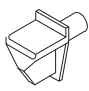
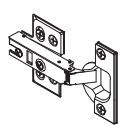

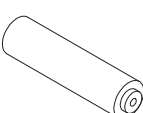


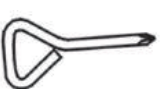
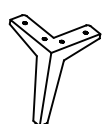
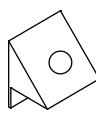
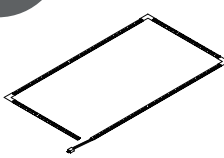
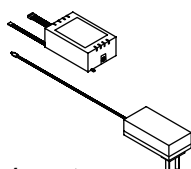



Model: A17-3 ; A17-4 ; A17-5

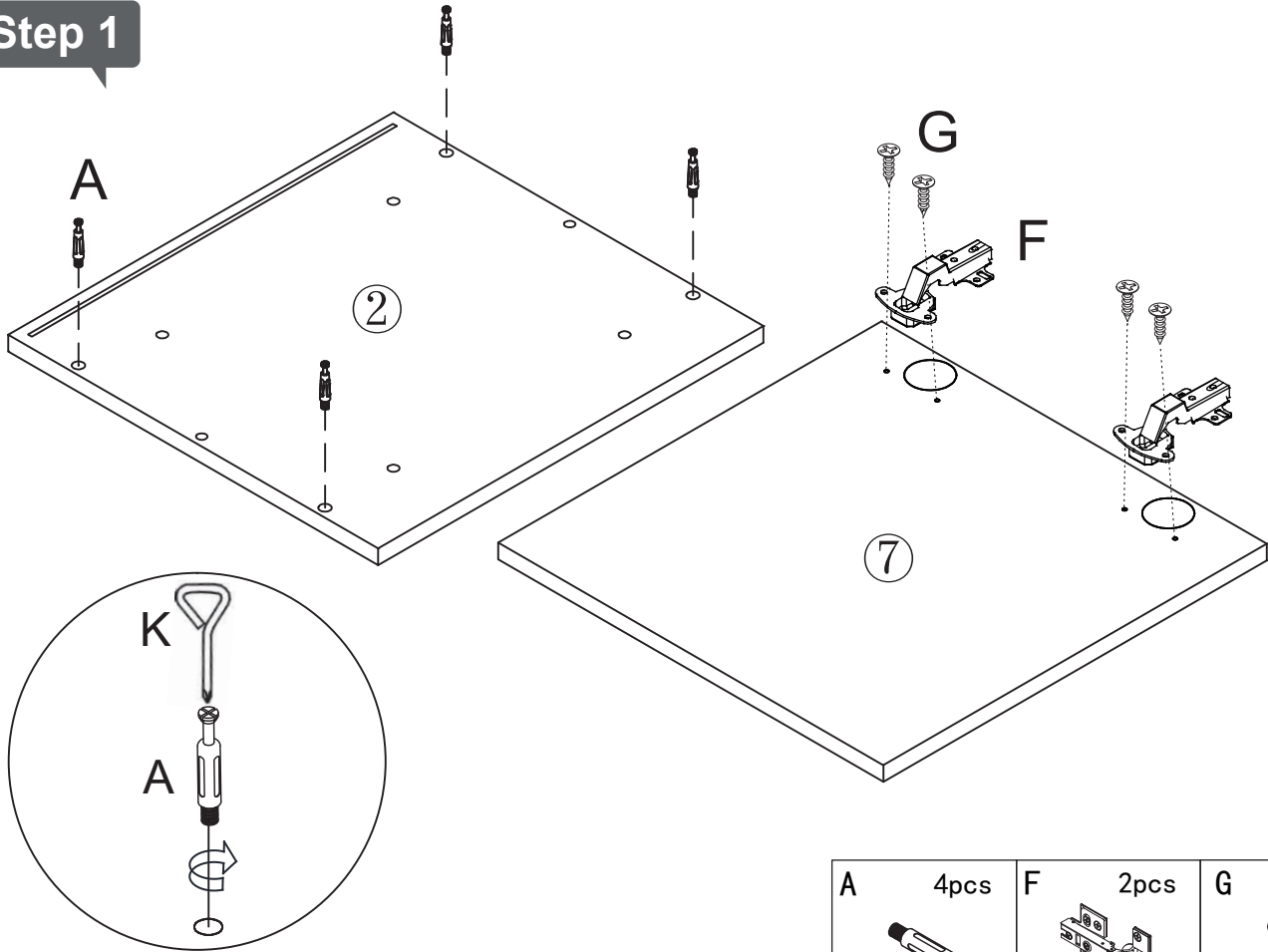
Customer service email: [info@i-aplus.com](mailto:info@i-aplus.com)


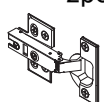

# PARTS LIST



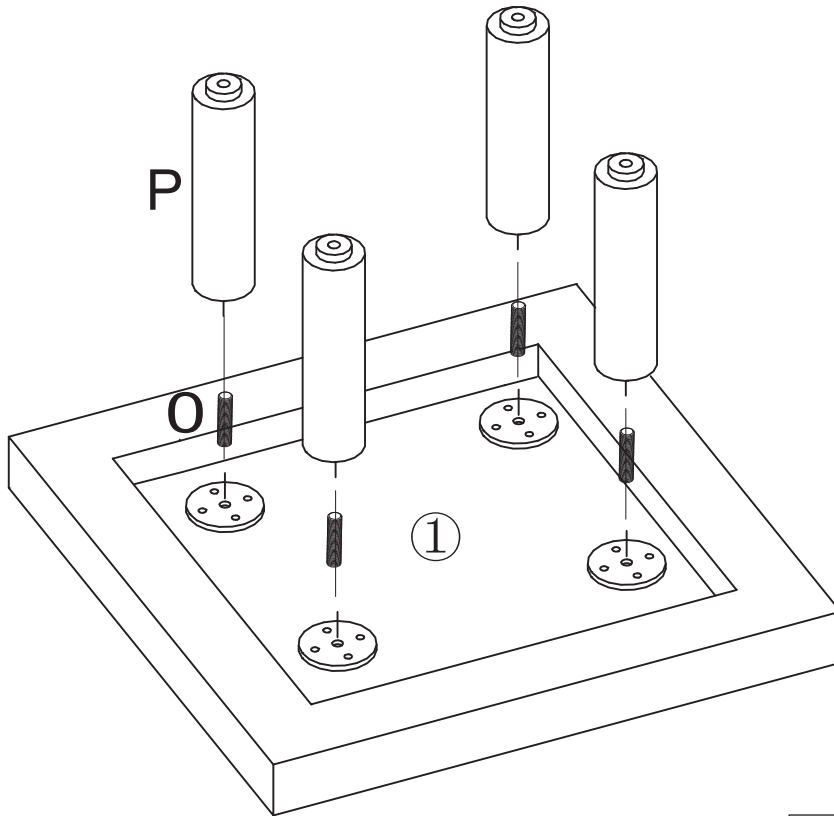
<b>A</b>  4+1pcs	<b>B</b>  4+1pcs	<b>C</b> $\varnothing 8 \times 30\text{mm}$  4+1pcs	<b>D</b> M5*40  4+1pcs	<b>E</b>  4+1pcs
<b>F</b>  2pcs	<b>G</b> M3.5*14  32+4pcs	<b>P</b> $\Phi 40 \times 110$  4pcs	<b>O</b> M8*20  4+1pcs	<b>J</b> M8*12  4+1pcs
<b>K</b>  1pcs	<b>Q</b> M100  4pcs	<b>M</b>  4+1pcs	<b>N</b>    1set	

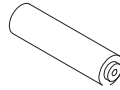
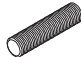
Step 1



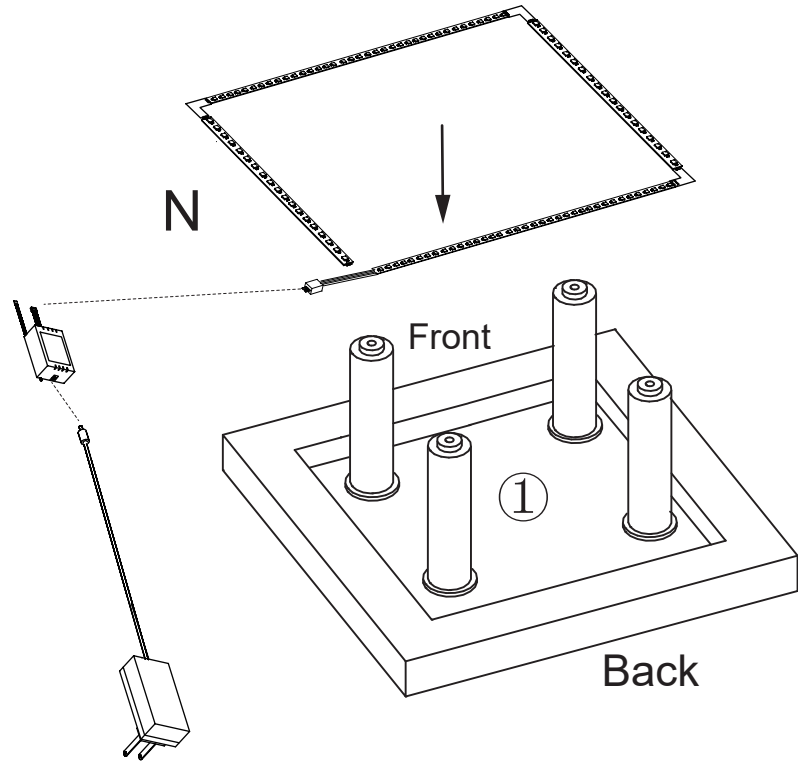
A	4pcs	F	2pcs	G	4pcs
					

Step 2

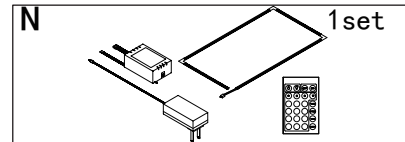
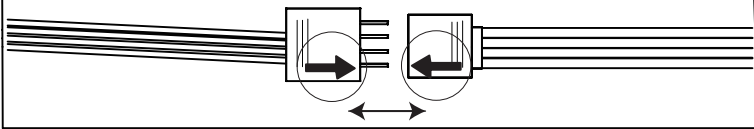


P	4pcs	O	4pcs
			

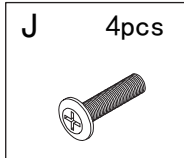
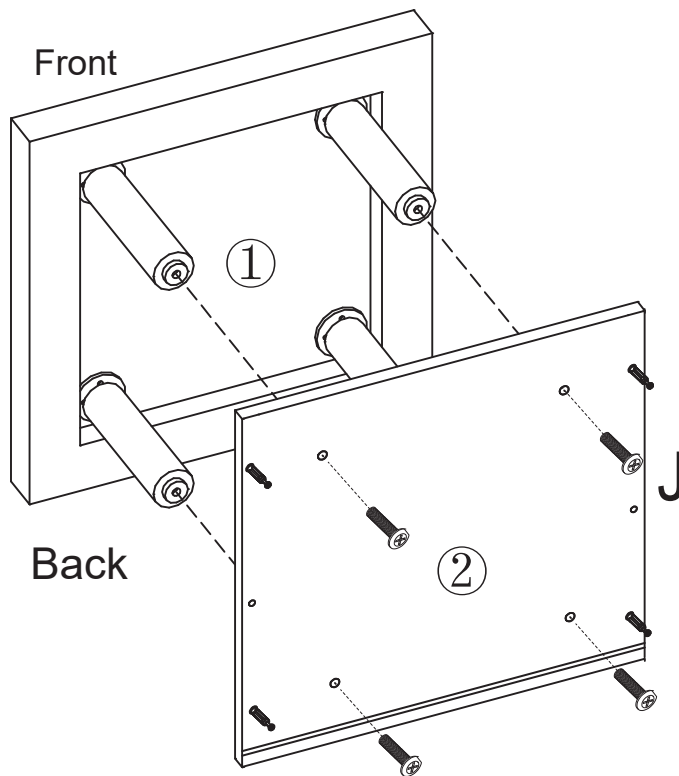
Step 3



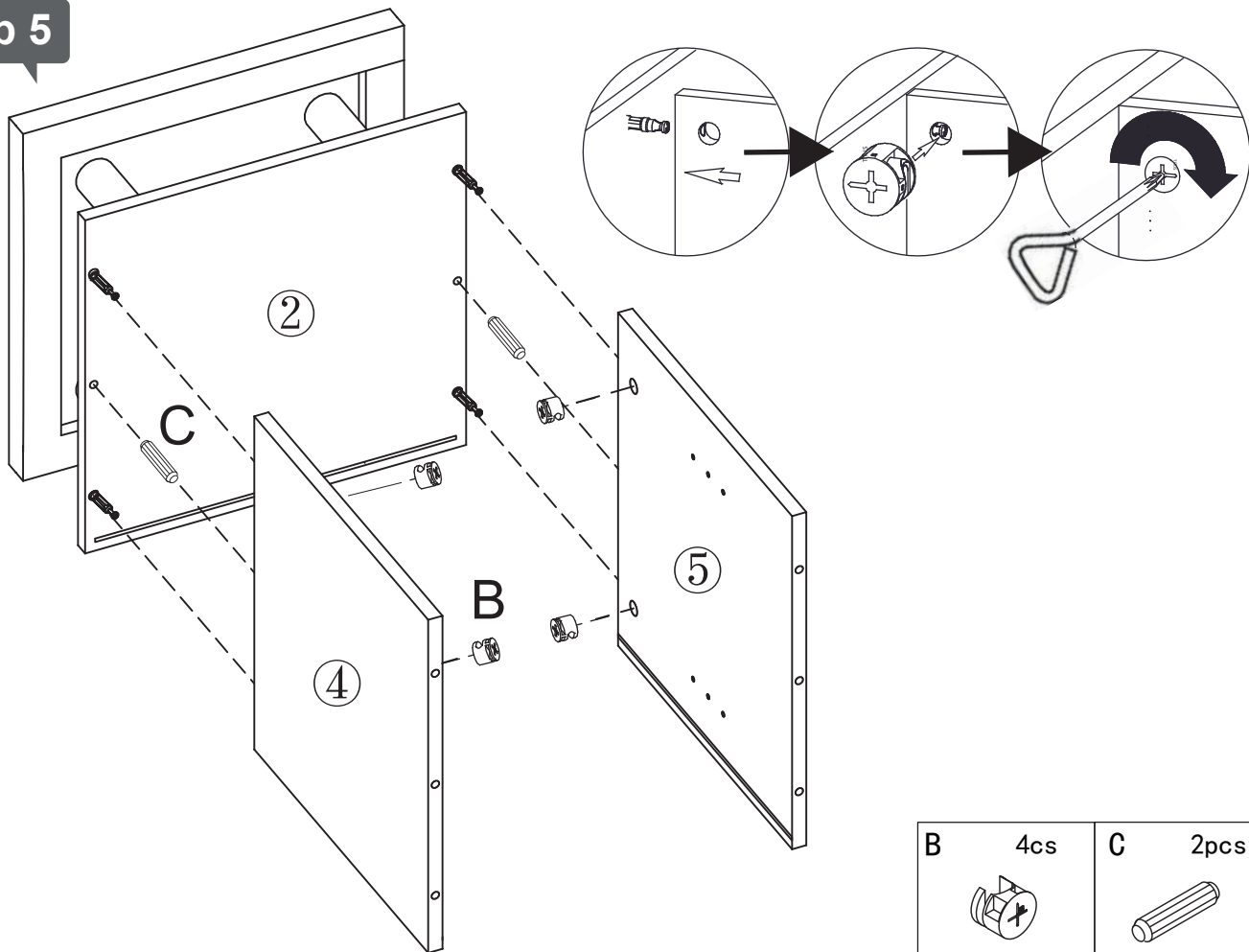
Notice:



Step 4

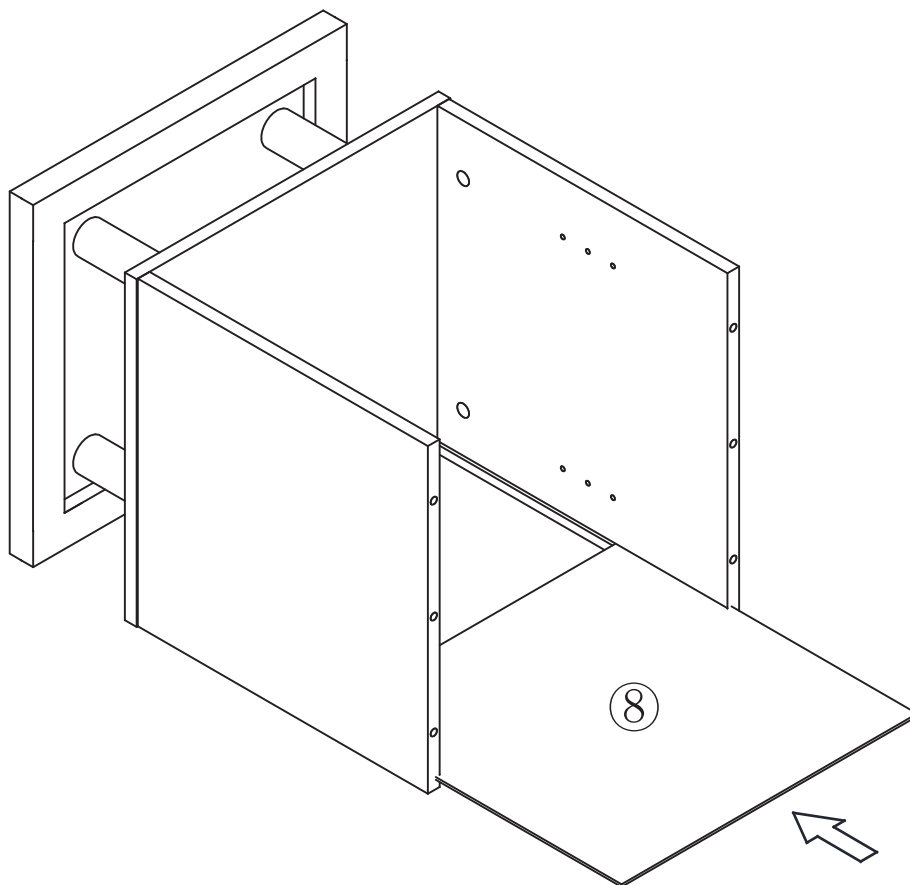


Step 5

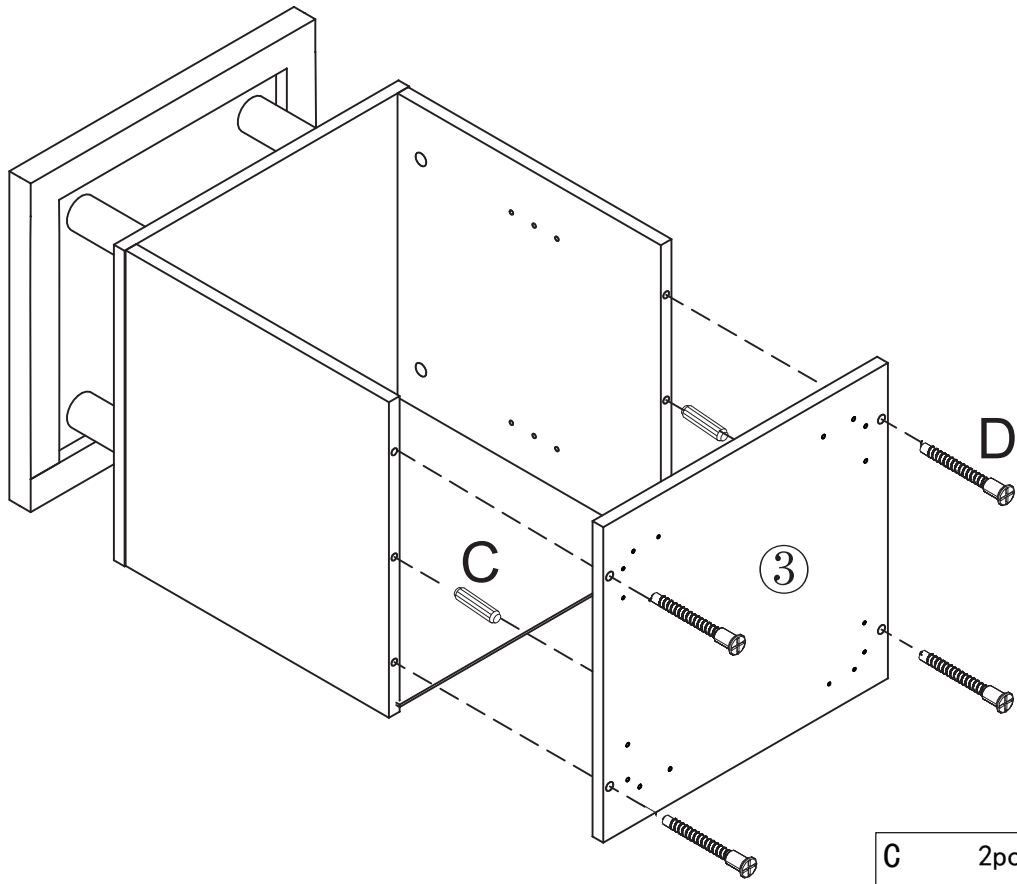


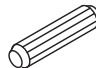

<b>B</b>	4cs	<b>C</b>	2pcs

Step 6

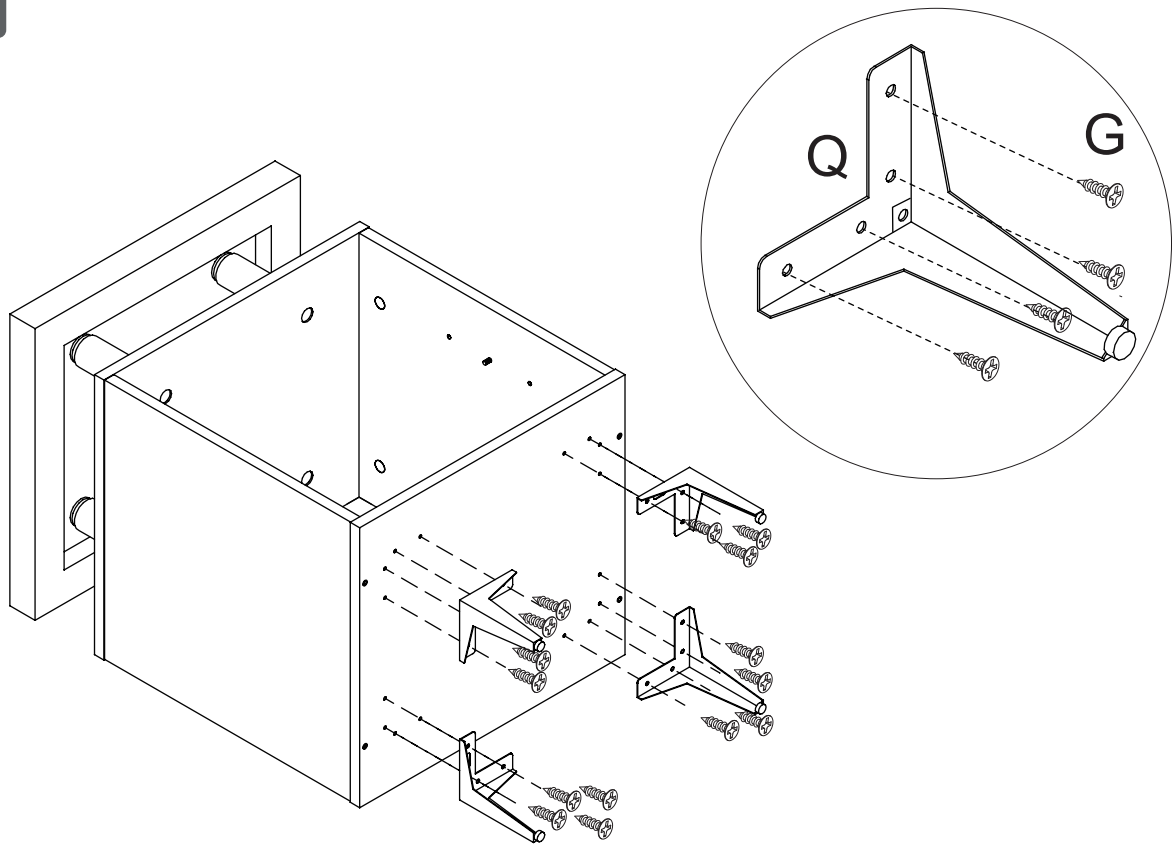



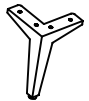
Step 7



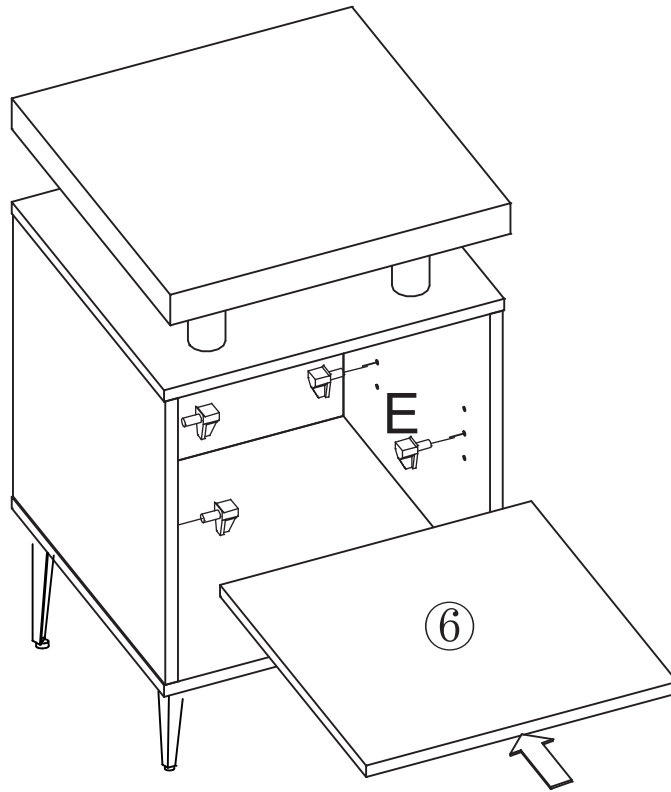
C	2pcs	D	4pcs
			

Step 8



G	16pcs	Q	4pcs
			

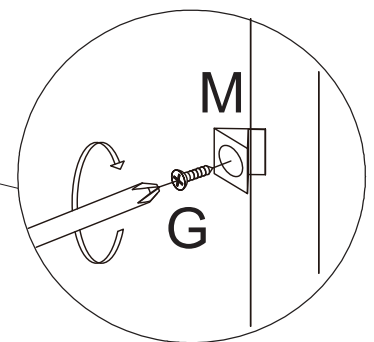
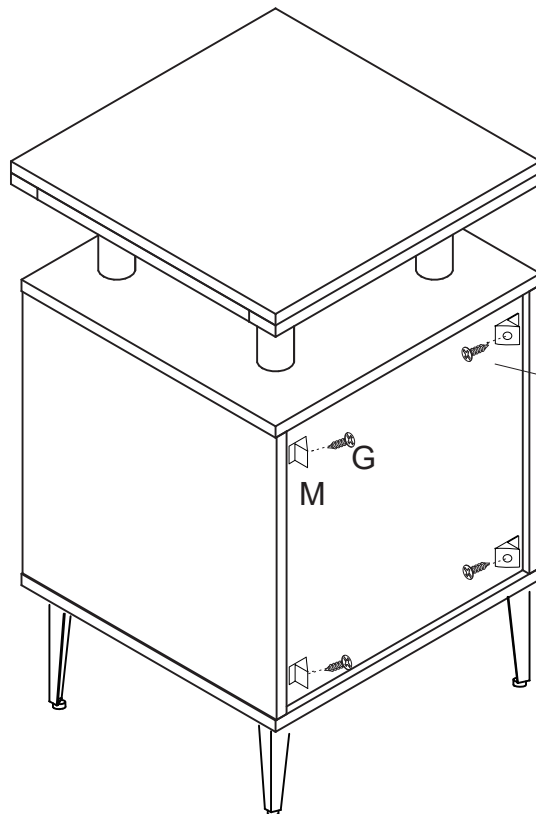
Step 9



E 4pcs



Step 10



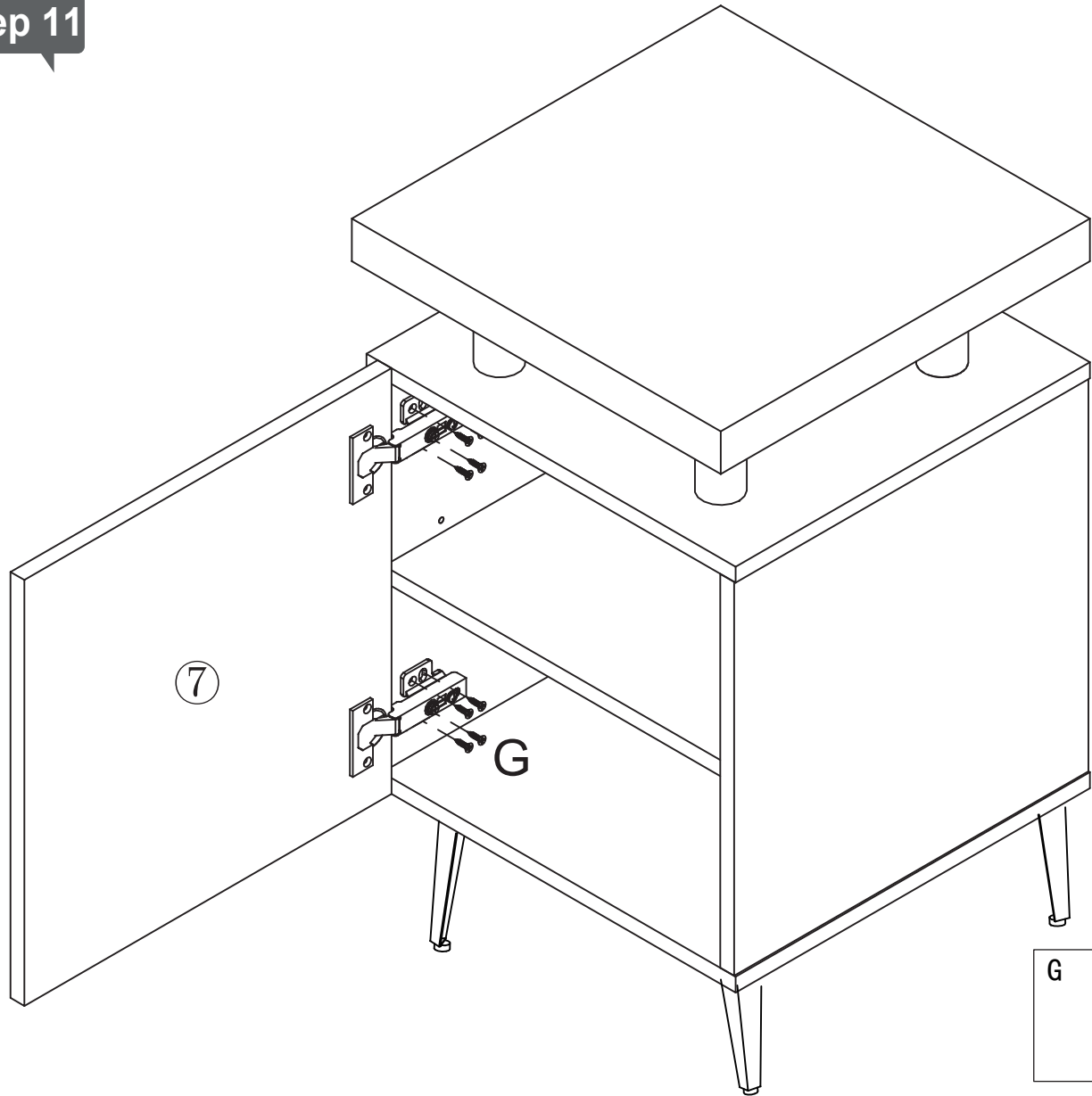
G 4pcs



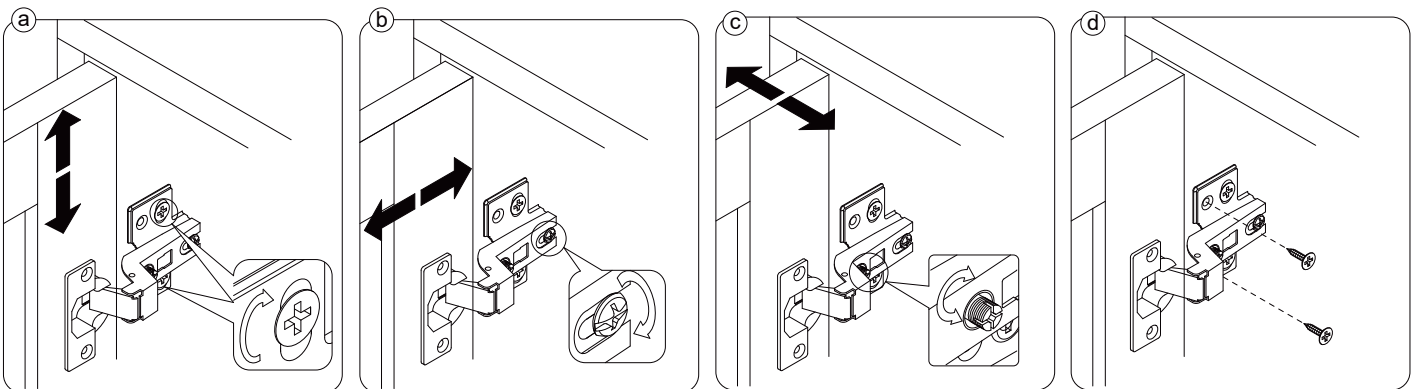
M 4pcs



## Step 11



When the hinges are installed, you can refer to the pictures to adjust crevice of the doors till it's perfect:



1. To adjust the doors up and down, please refer to step (a)
2. To adjust the distance between the doors and side panels, please refer to step (b)
3. To adjust the gap between two doors, please refer to step (c)
4. After the adjustment finished, please tight the screws, refer to step (d)