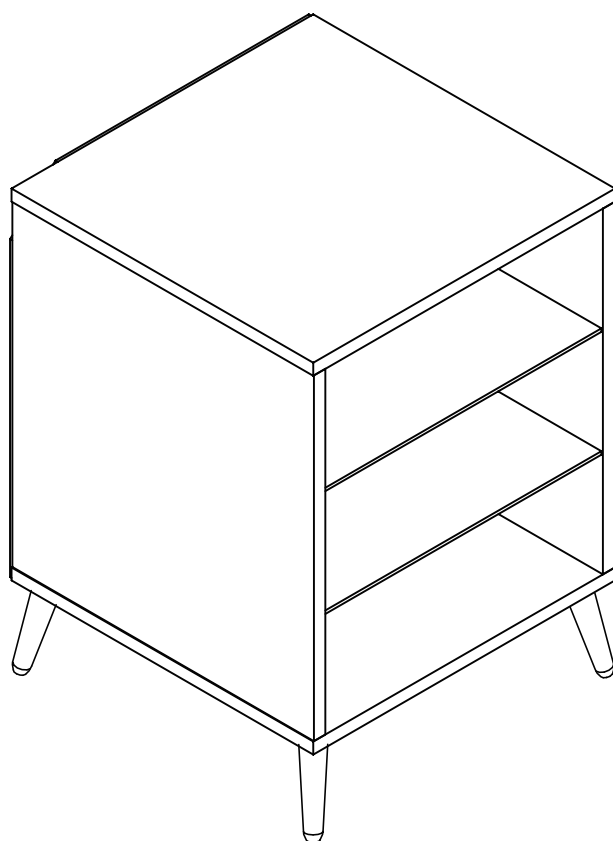
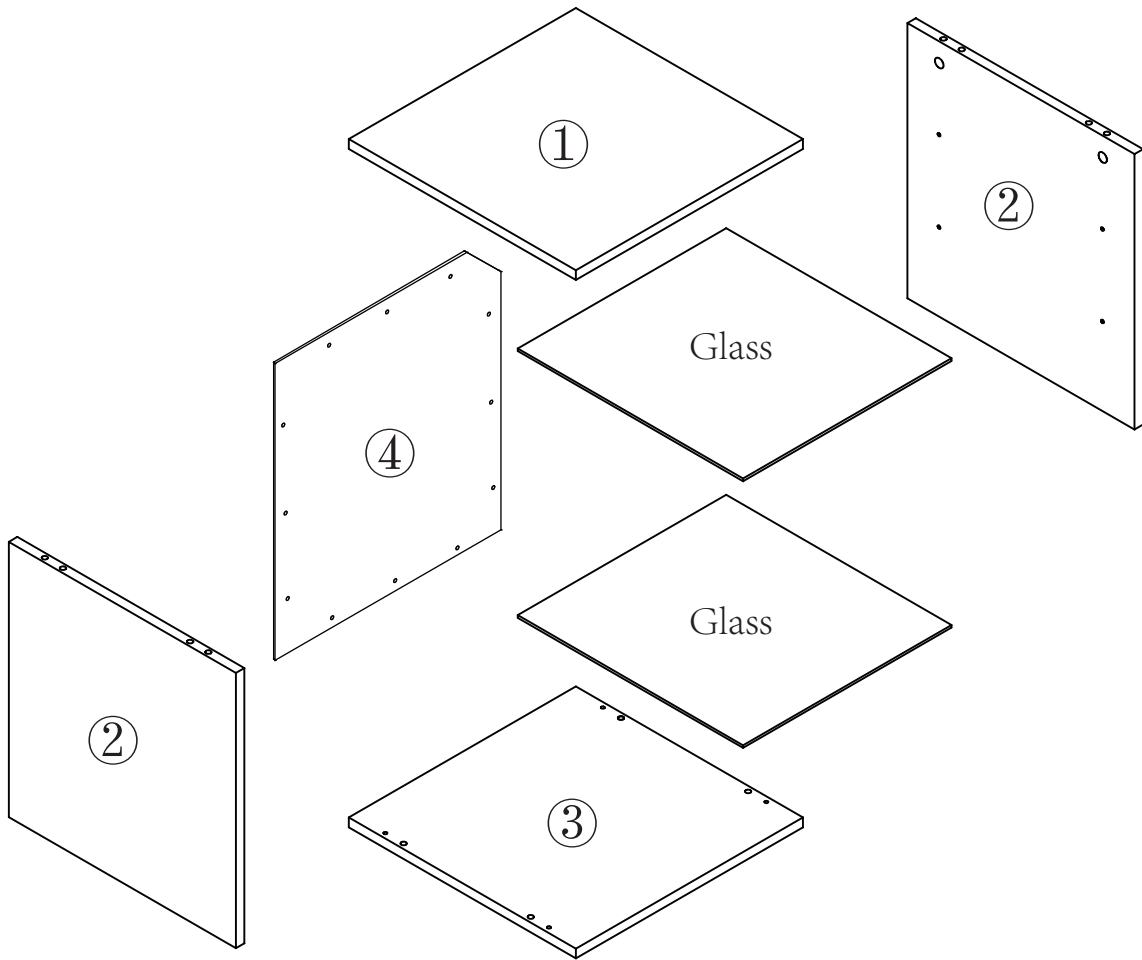


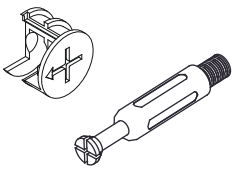
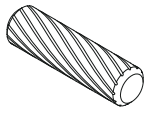
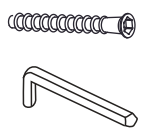

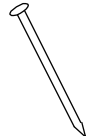



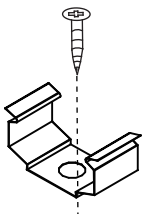
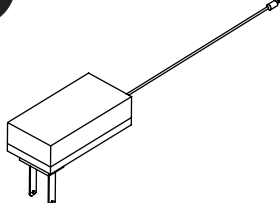
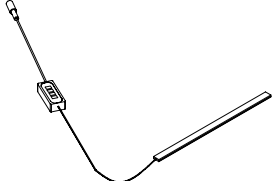
# INSTRUCTION MANUAL



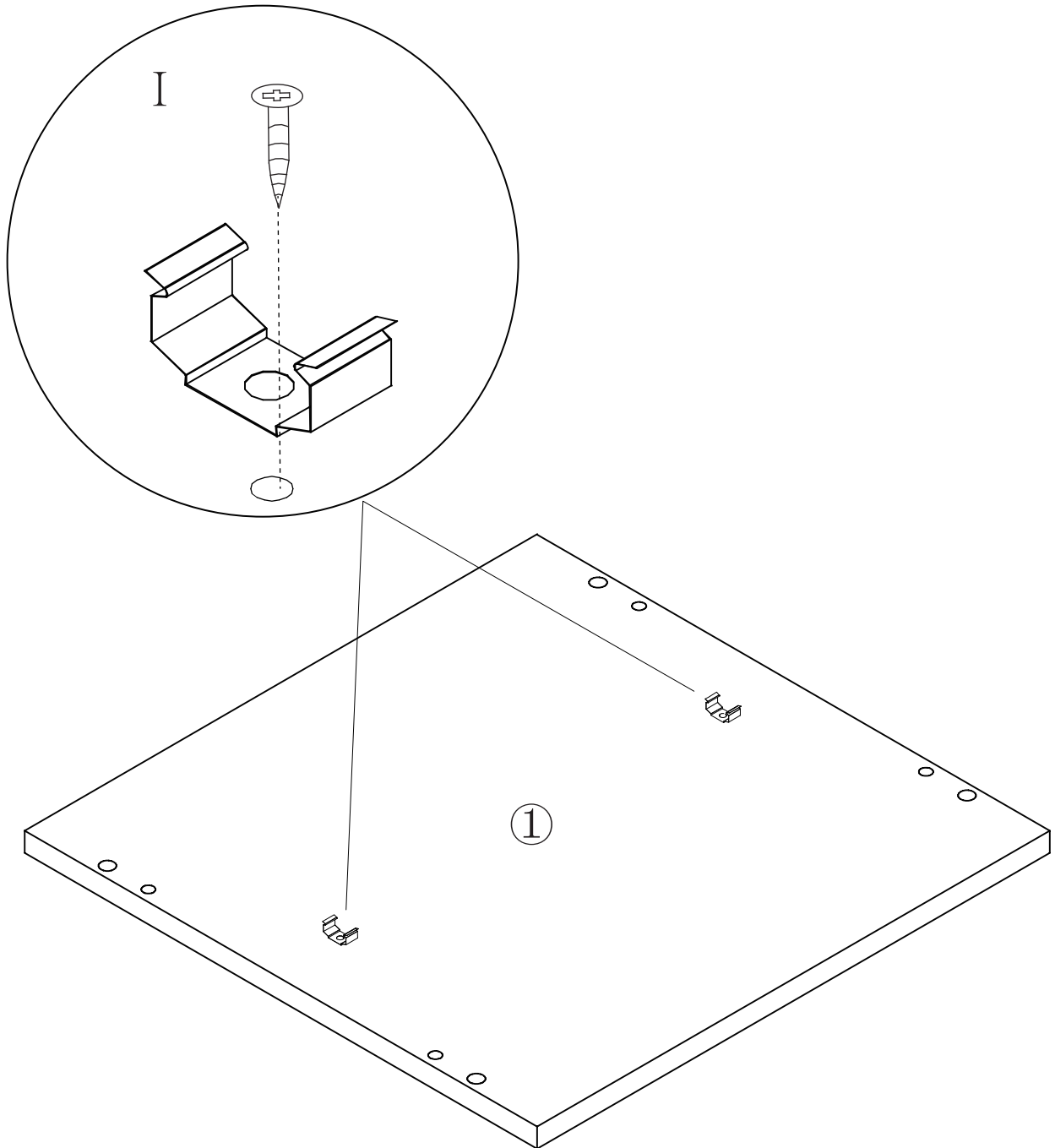
Customer service email: [info@i-aplus.com](mailto:info@i-aplus.com)

# PARTS LIST

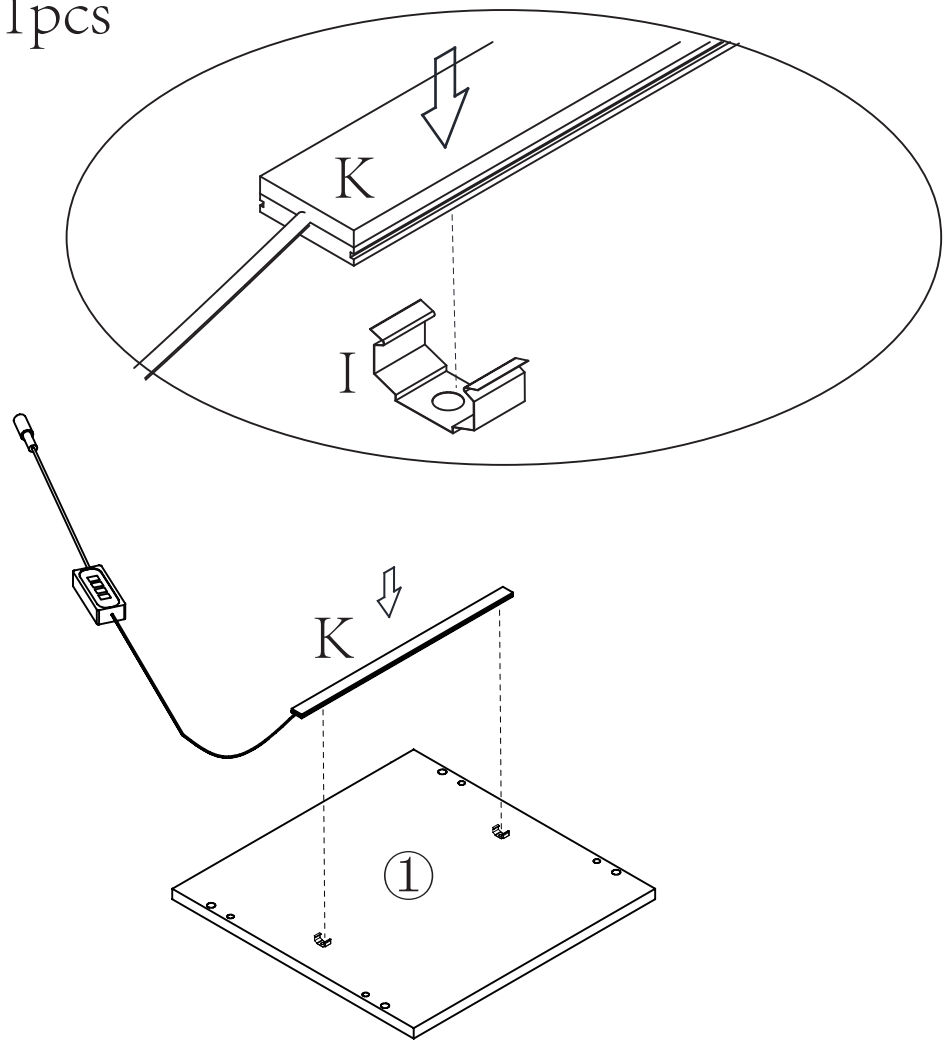


<p><b>A</b></p>  <p>4+1 set</p>	<p><b>B</b>      <math>\phi 8*30\text{mm}</math></p>  <p>8+2 pcs</p>	<p><b>C</b>      <math>\phi 5*40\text{mm}</math></p>  <p>4+1 pcs 1 pcs</p> <p>1 set</p>	<p><b>D</b></p>  <p>8+1 pcs</p>
<p><b>E</b></p>  <p>12+2 pcs</p>	<p><b>F</b></p>  <p>8+2 pcs</p>	<p><b>G</b></p>  <p>1 pcs</p>	<p><b>H</b>      <math>\phi 35*110\text{mm}</math></p>  <p>4 pcs</p>
<p><b>I</b></p>  <p>2+1 set</p>	<p><b>J</b></p>  <p>1 pcs</p>	<p><b>K</b></p>  <p>1 pcs</p>	<p><b>L</b></p>

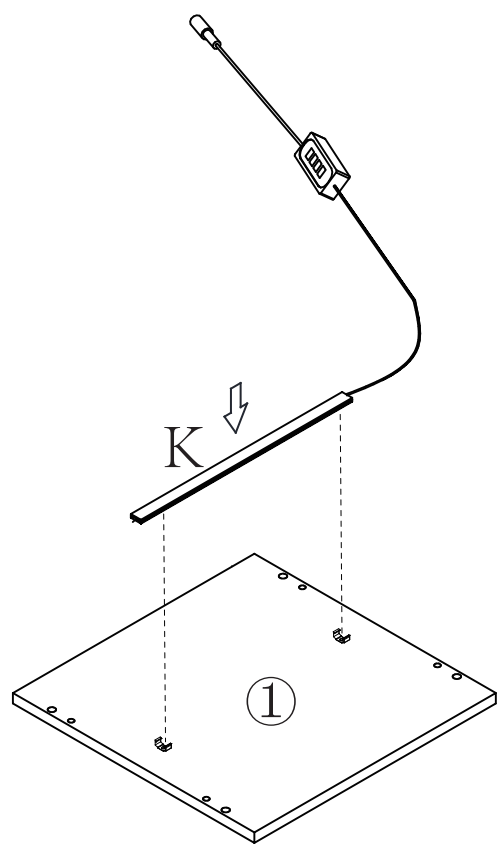
**Step 1** I=2set



**Step 2** K=1 pcs



Note: The installation direction of the LED light strip can be left and right, either side is OK.

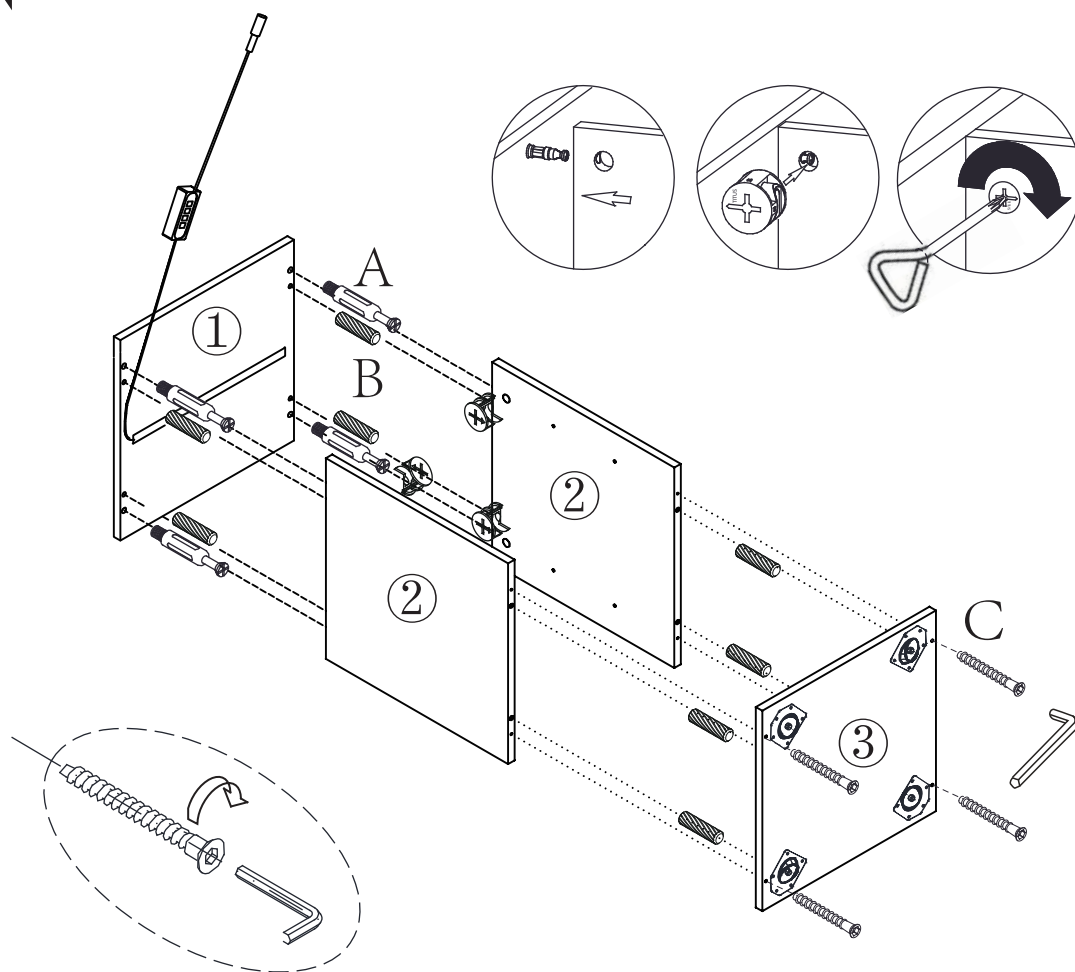


**Step 3**

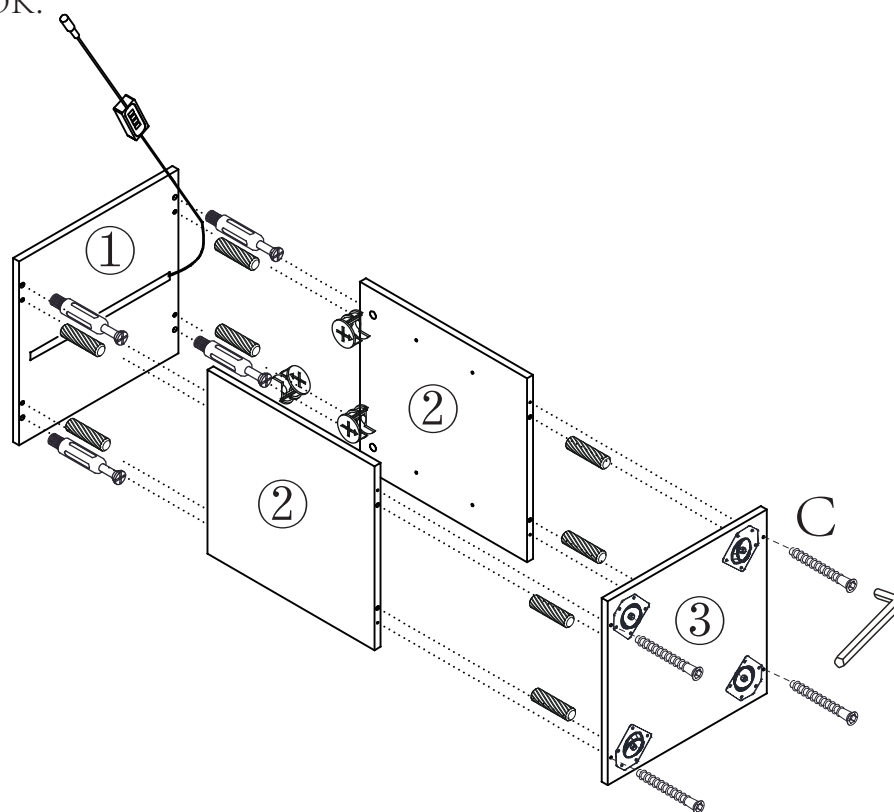
A=4set

B=8pcs

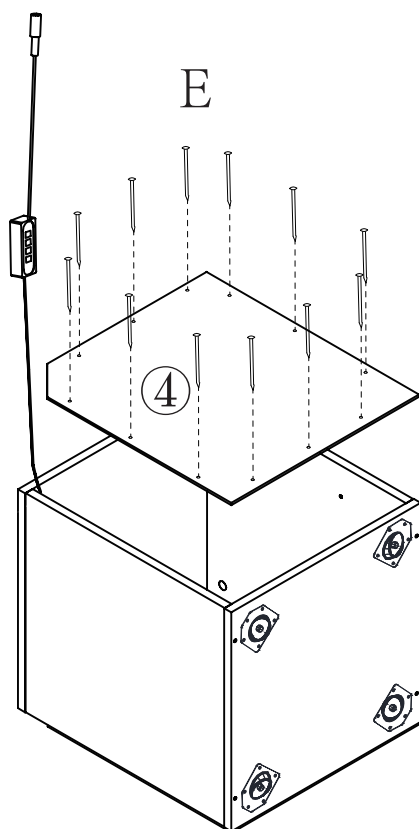
C=1set



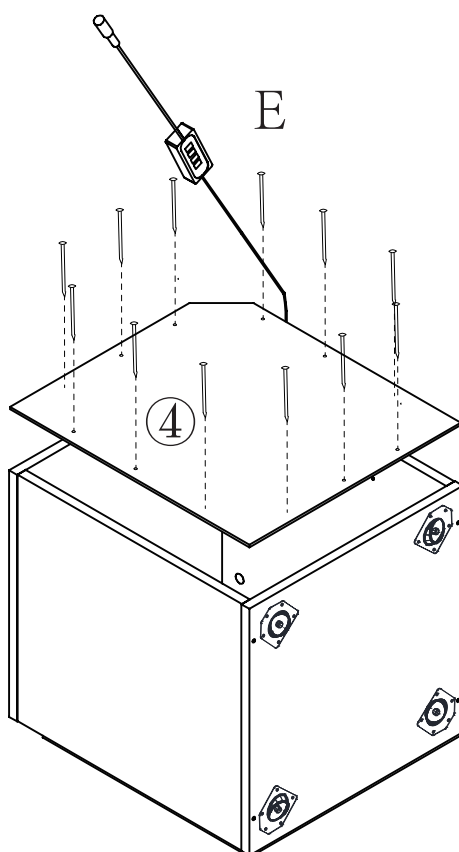
Note: The installation direction of the LED light strip can be left and right, either side is OK.



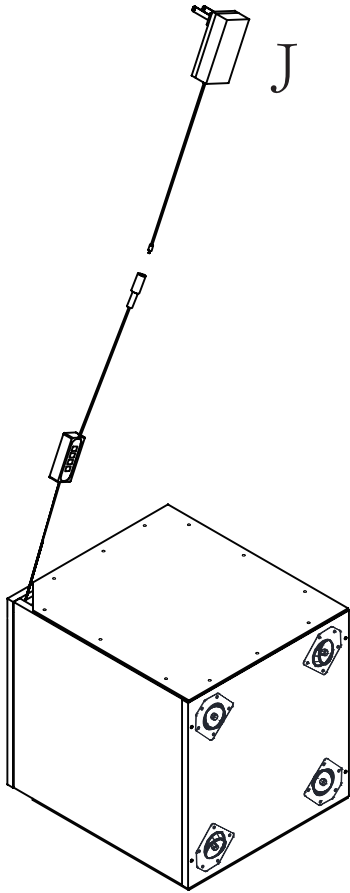
**Step 4** E=12pcs



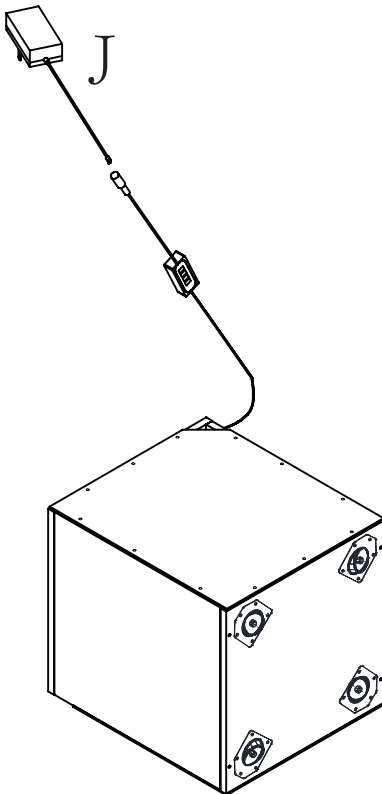
Note: The installation direction of the LED light strip can be left and right, either side is OK.



**Step 5** J = 1pcs

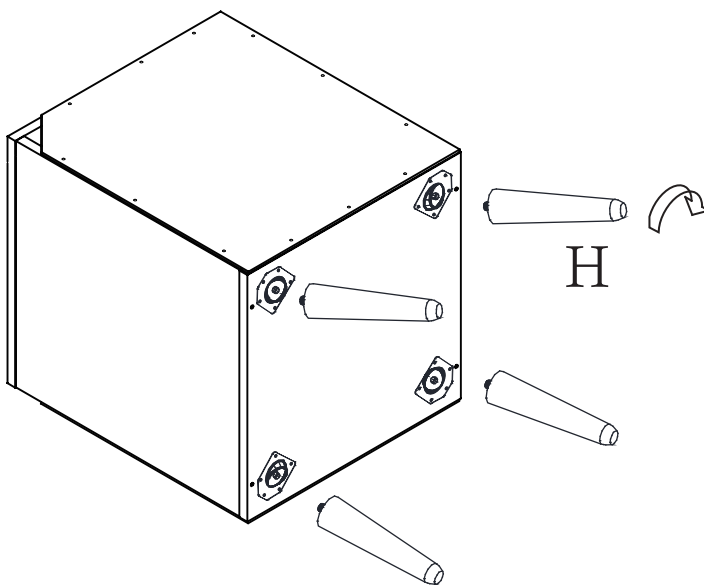


Note: The installation direction of the LED light strip can be left and right, either side is OK.

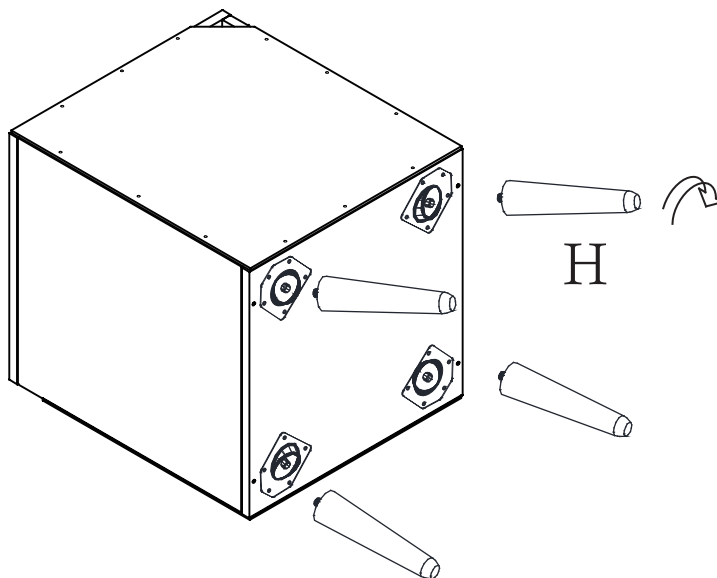


**Step 6**

H=4pcs

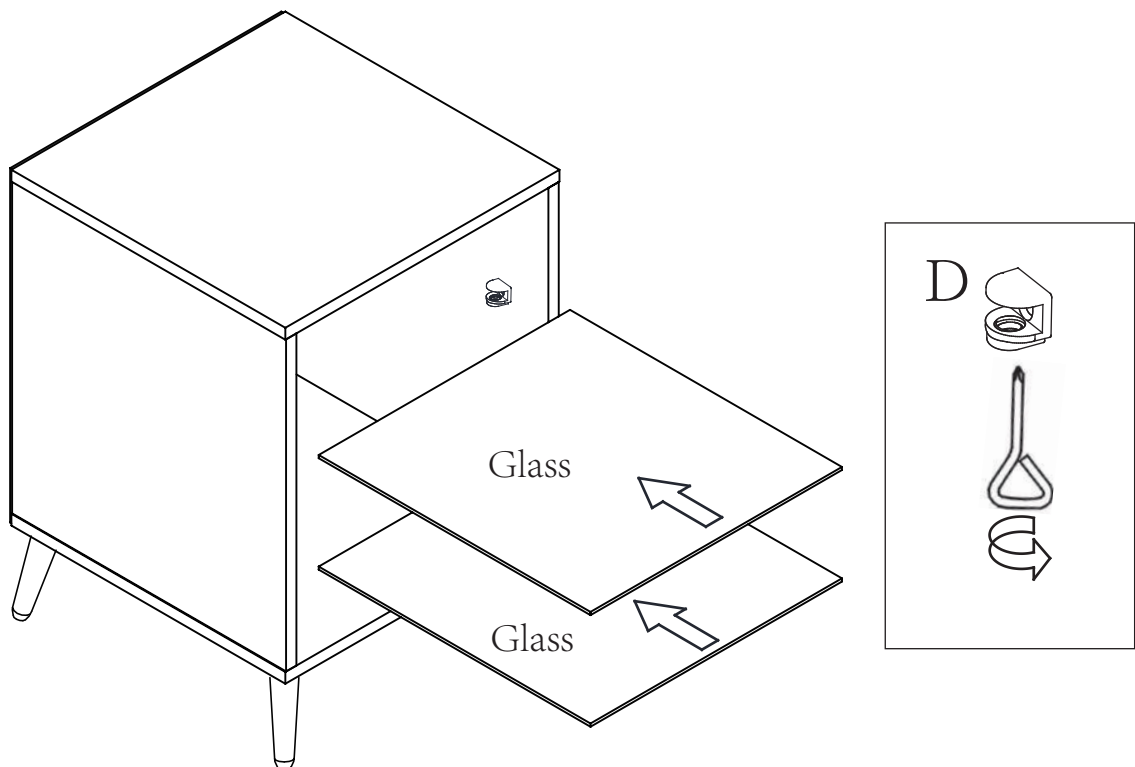
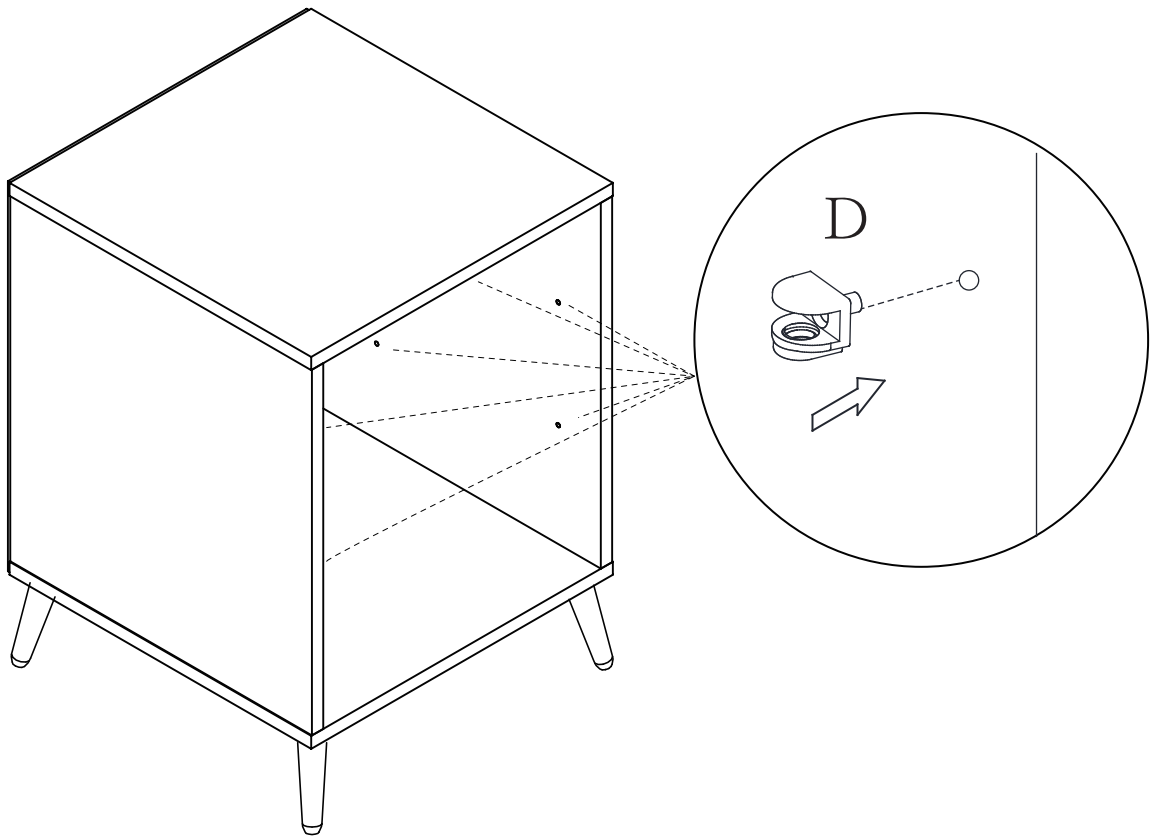


Note: The installation direction of the LED light strip can be left and right, either side is OK.





**Step 7** D=8pcs



**Step 8** F=8pcs

