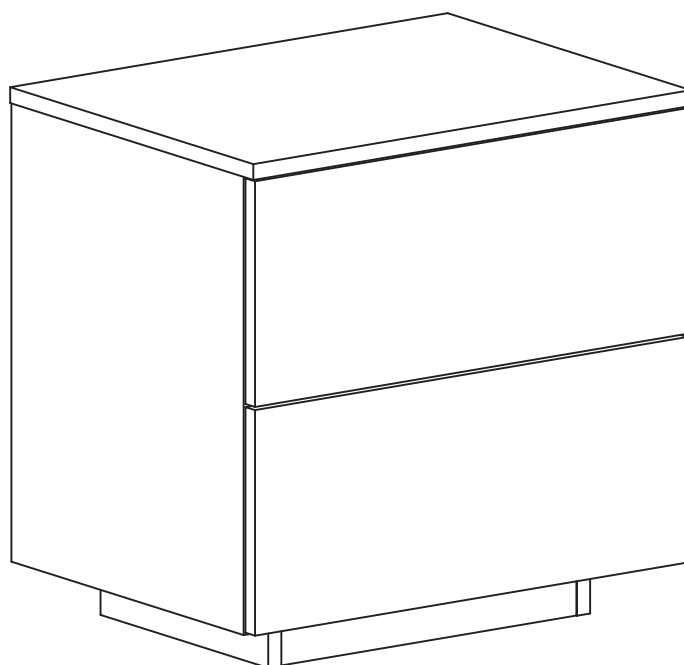
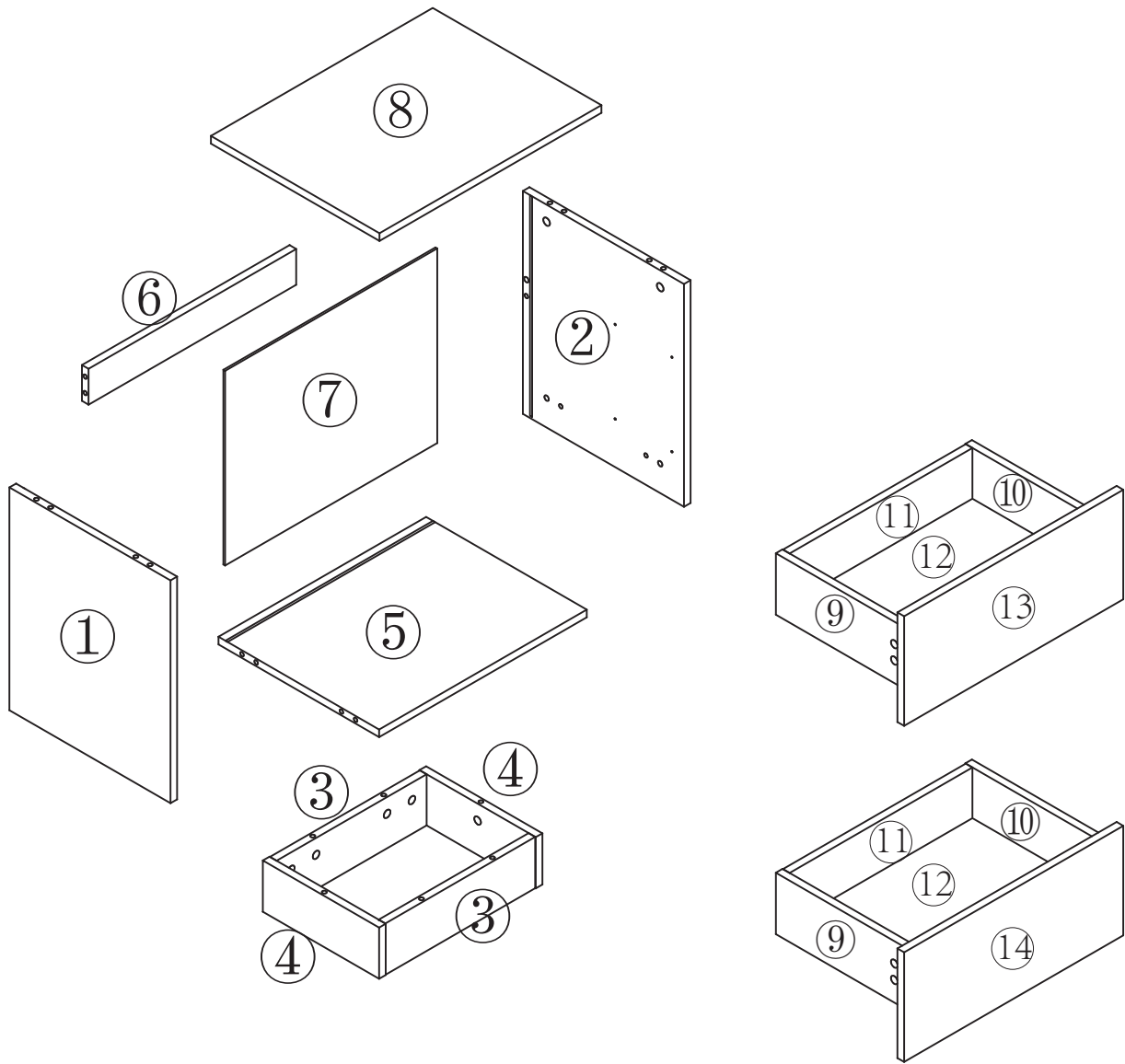


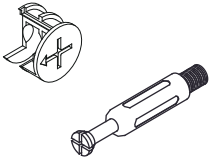
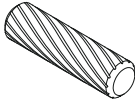
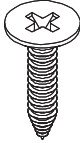
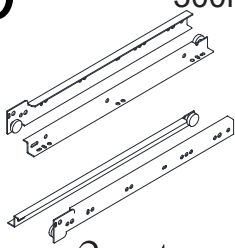

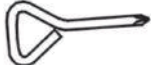
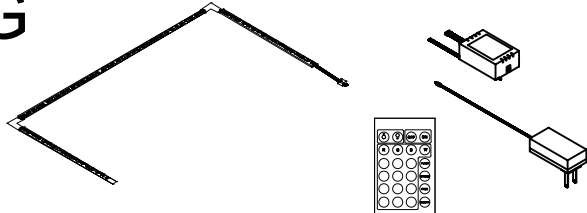
# INSTRUCTION MANUAL



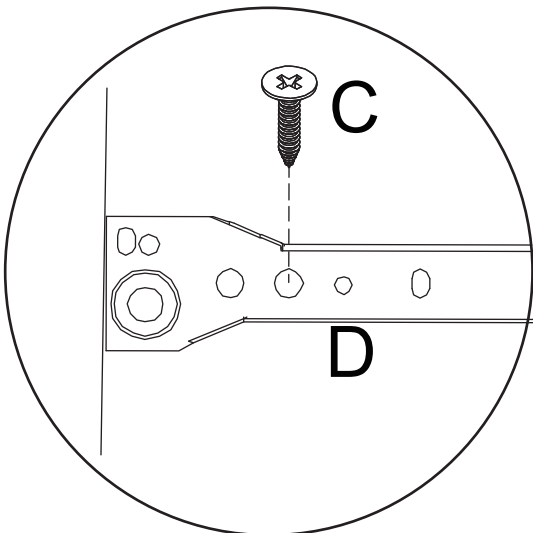
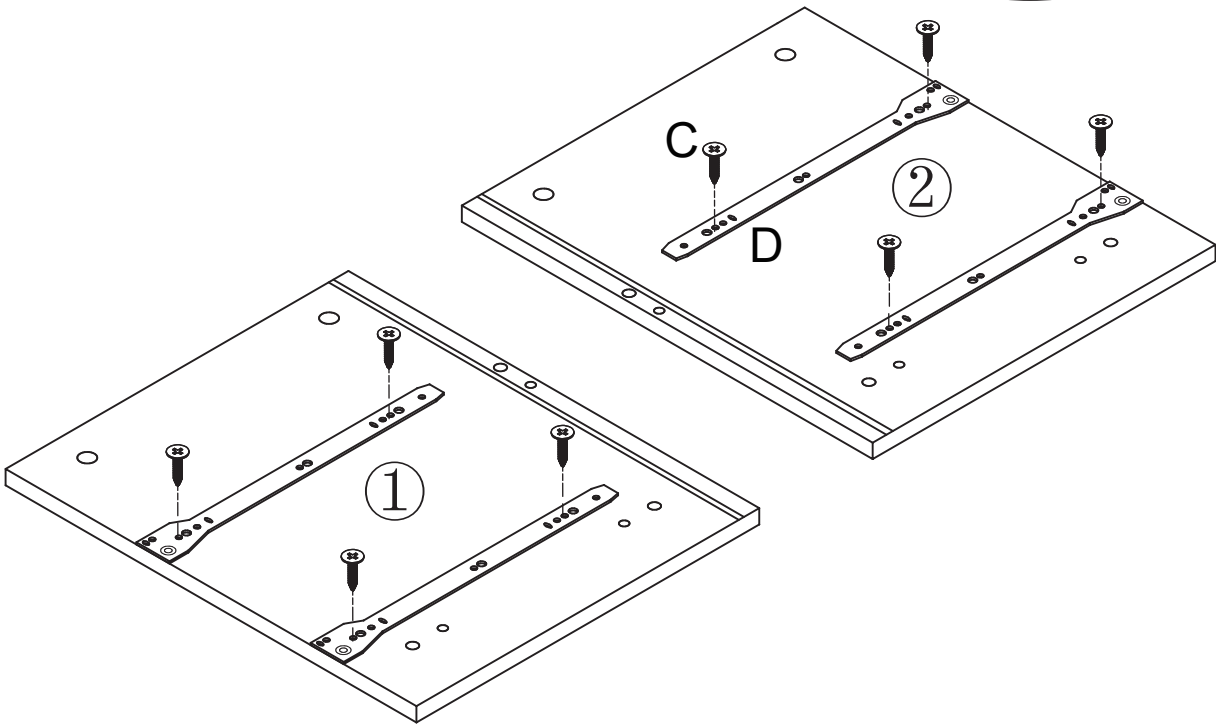
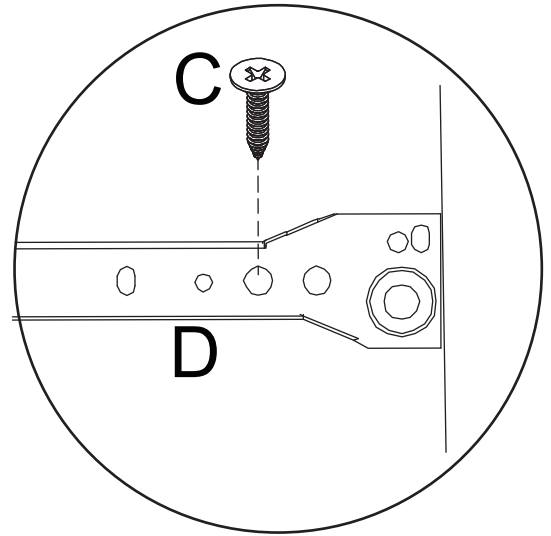
Customer service email: [info@i-aplus.com](mailto:info@i-aplus.com)

PARTS LIST

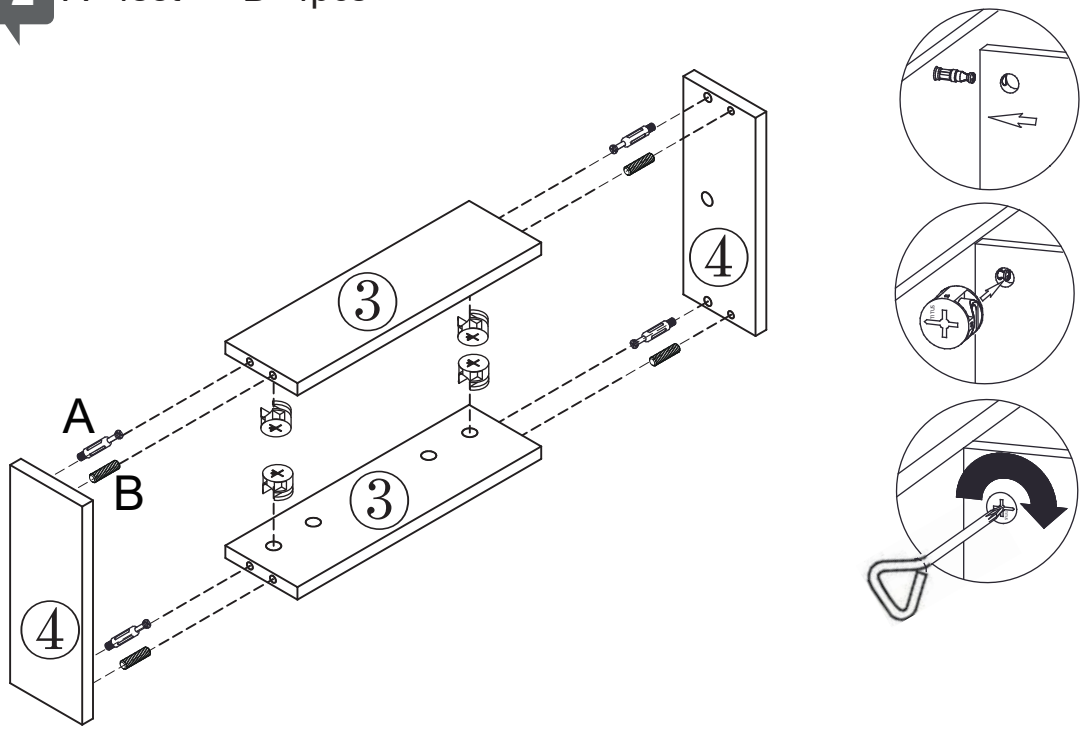


<p><b>A</b></p>  <p>36+2 set</p>	<p><b>B</b>      <math>\phi 8 \times 30 \text{mm}</math></p>  <p>14+2 pcs</p>	<p><b>C</b>      <math>\phi 3.5 \times 14 \text{mm}</math></p>  <p>16+2 pcs</p>	<p><b>D</b>      300mm</p>  <p>2 set</p>
<p><b>E</b></p>  <p>36+2 pcs</p>	<p><b>F</b></p>  <p>1 pcs</p>	<p><b>G</b></p>  <p>1 set</p>	

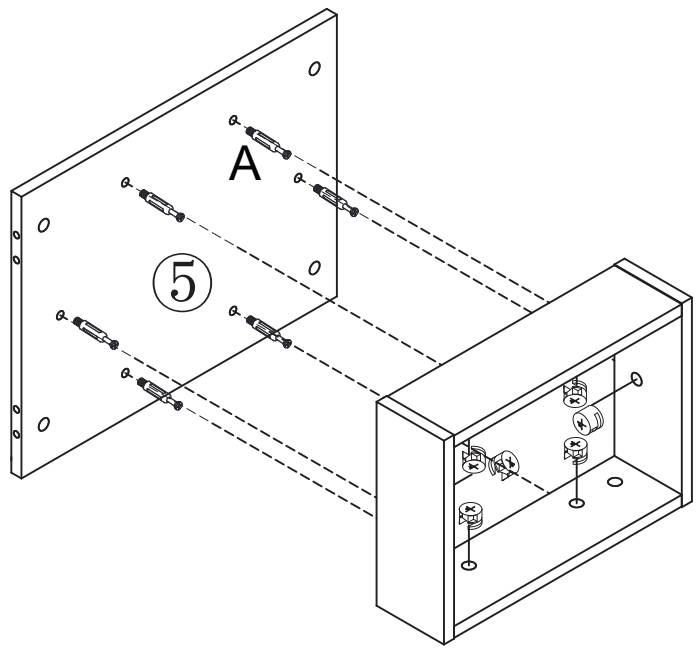
**Step 1** C=8pcs D=4pcs



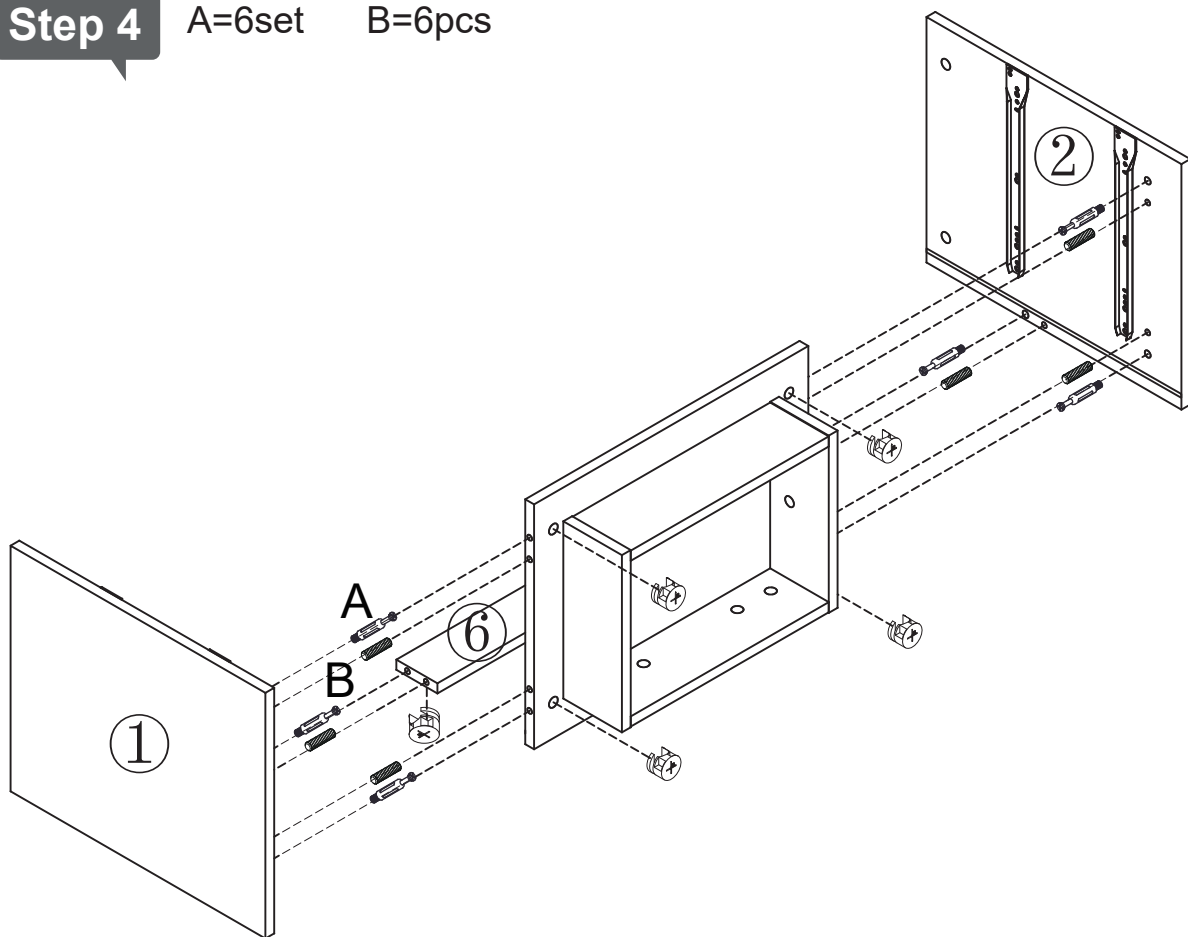
**Step 2** A=4set B=4pcs



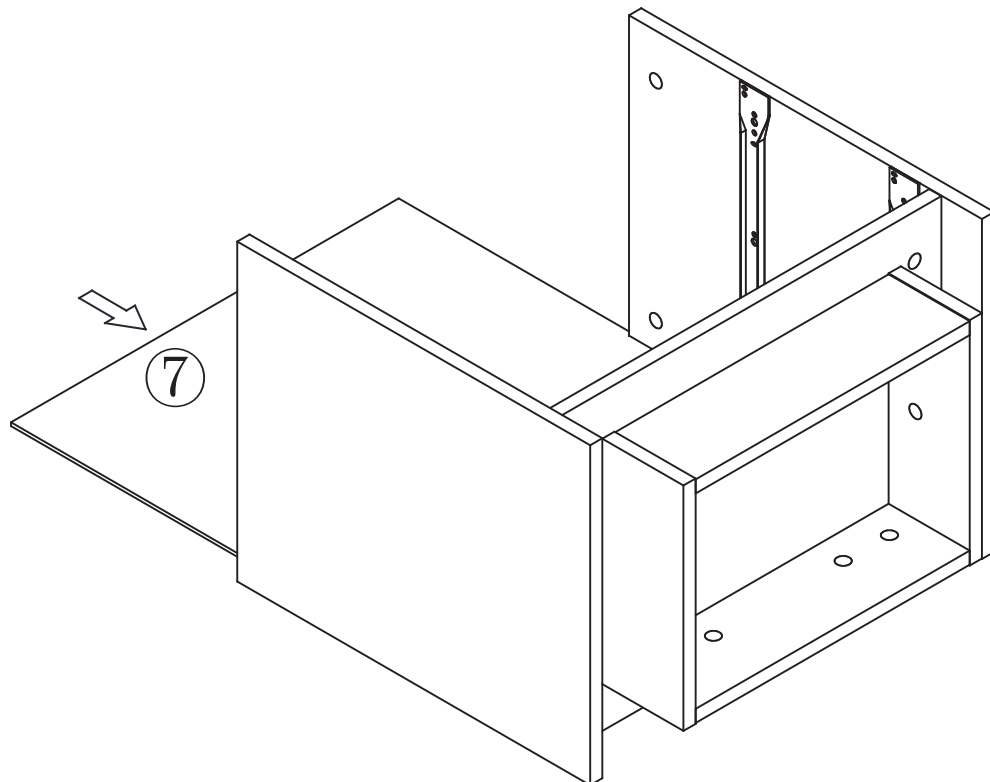
**Step 3** A=6set



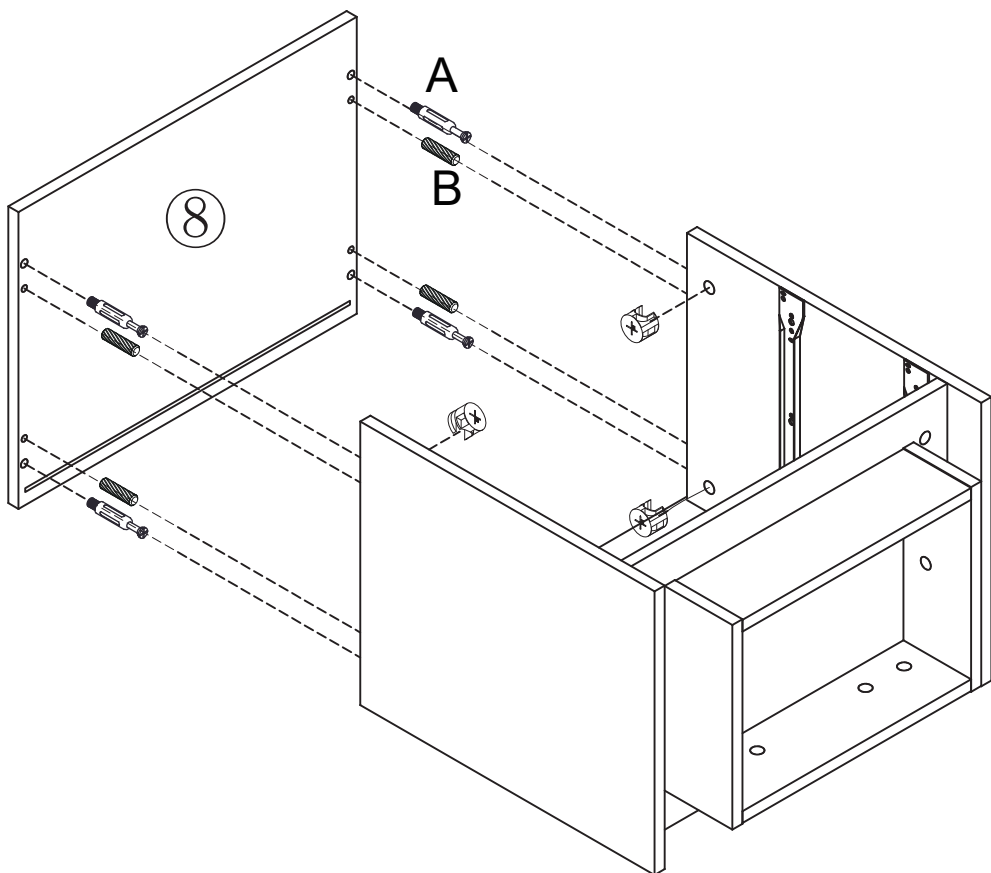
**Step 4** A=6set B=6pcs



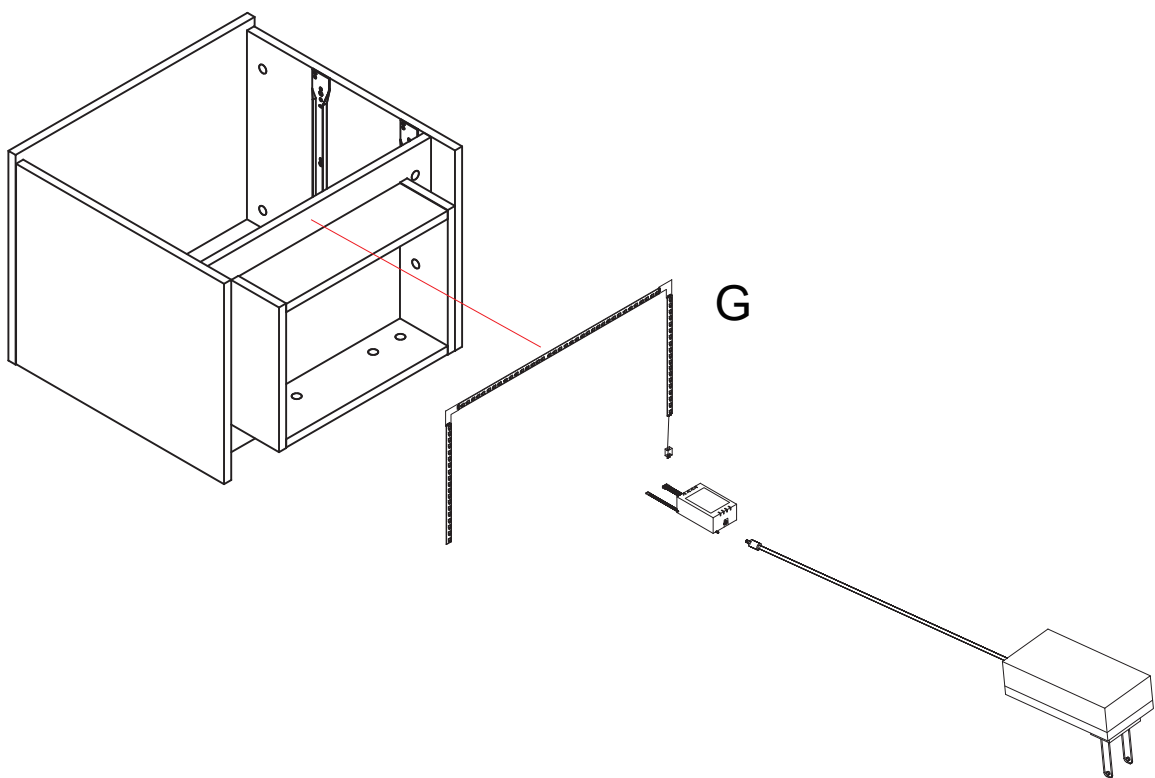
**Step 5**



**Step 6** A=4set B=4pcs



**Step 7** G=1set

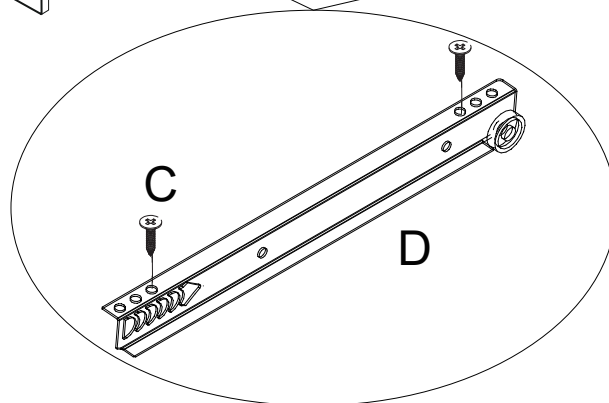
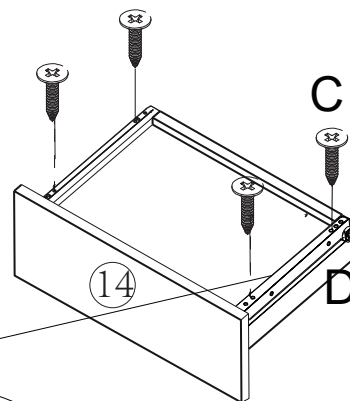
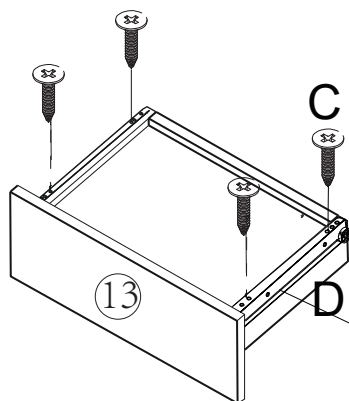
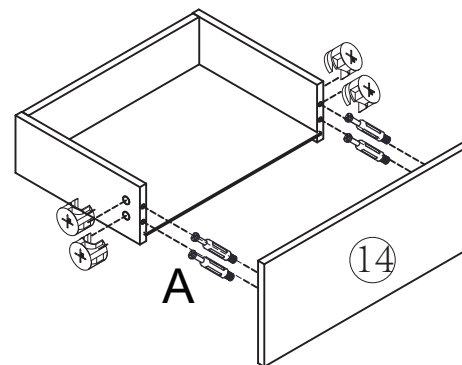
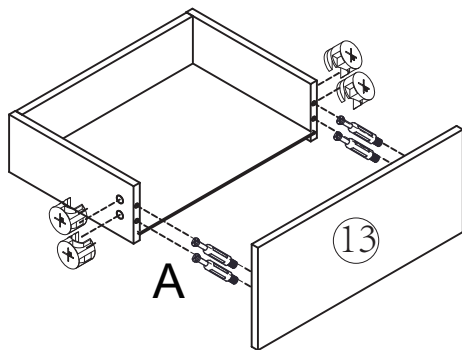
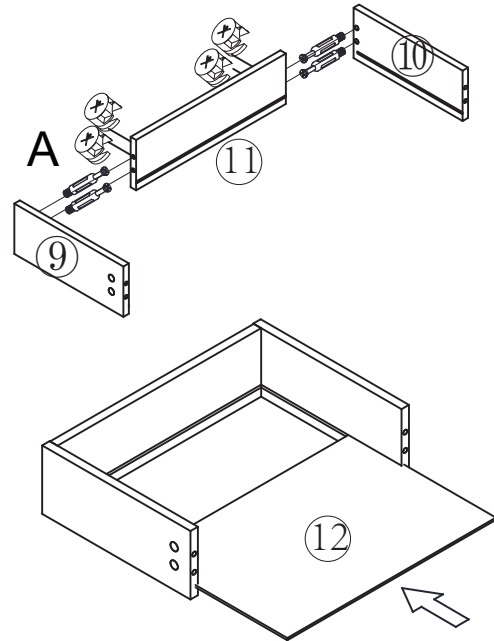
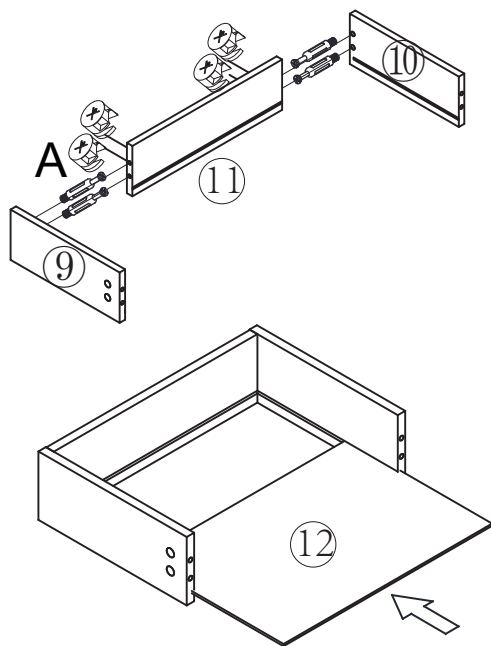


**Step 8**

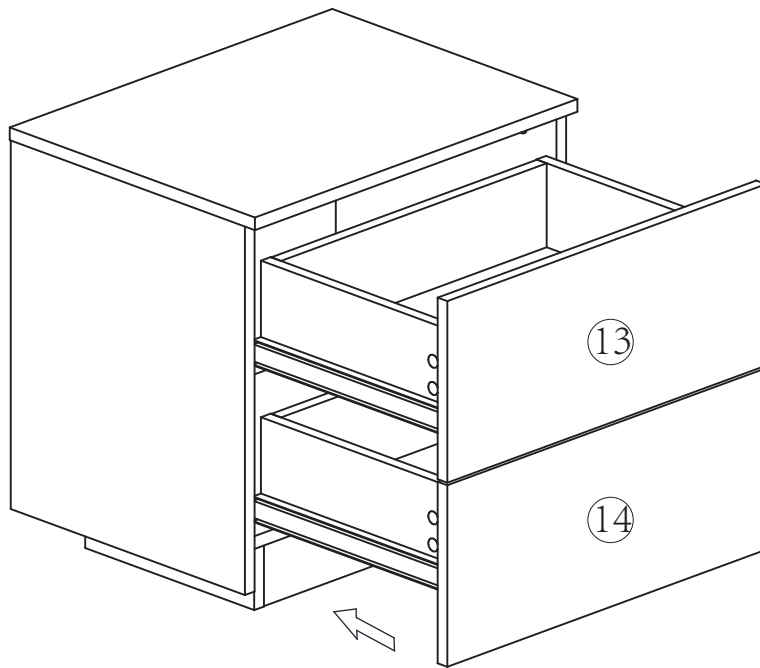
A=16set

C=8pcs

D=4pcs



**Step 9**



**Step 10** E=36pcs

