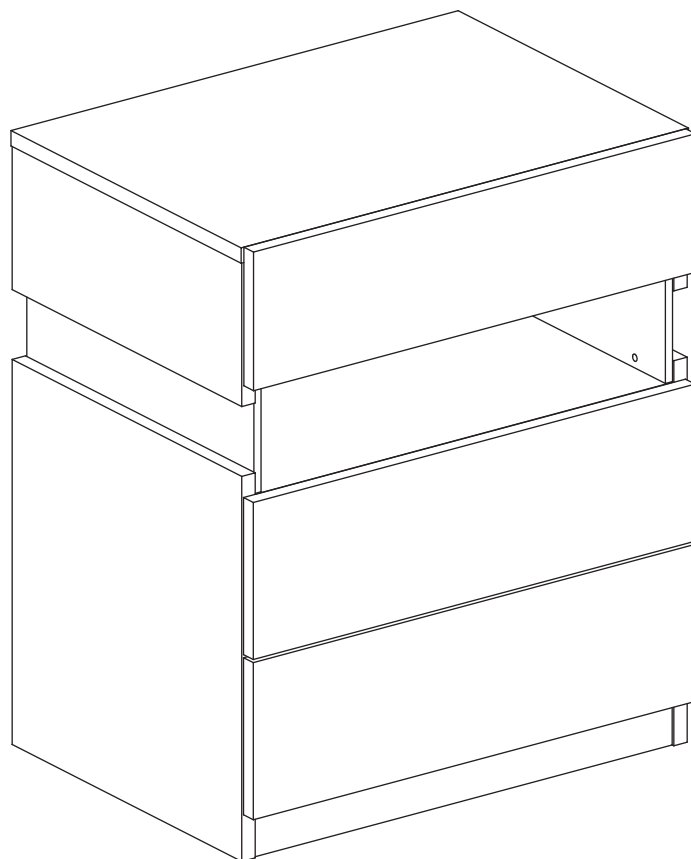


# INSTRUCTION MANUAL



Model: A25

Customer service email: [info@i-aplus.com](mailto:info@i-aplus.com)

## Attention :

Thank you very much for your purchase.

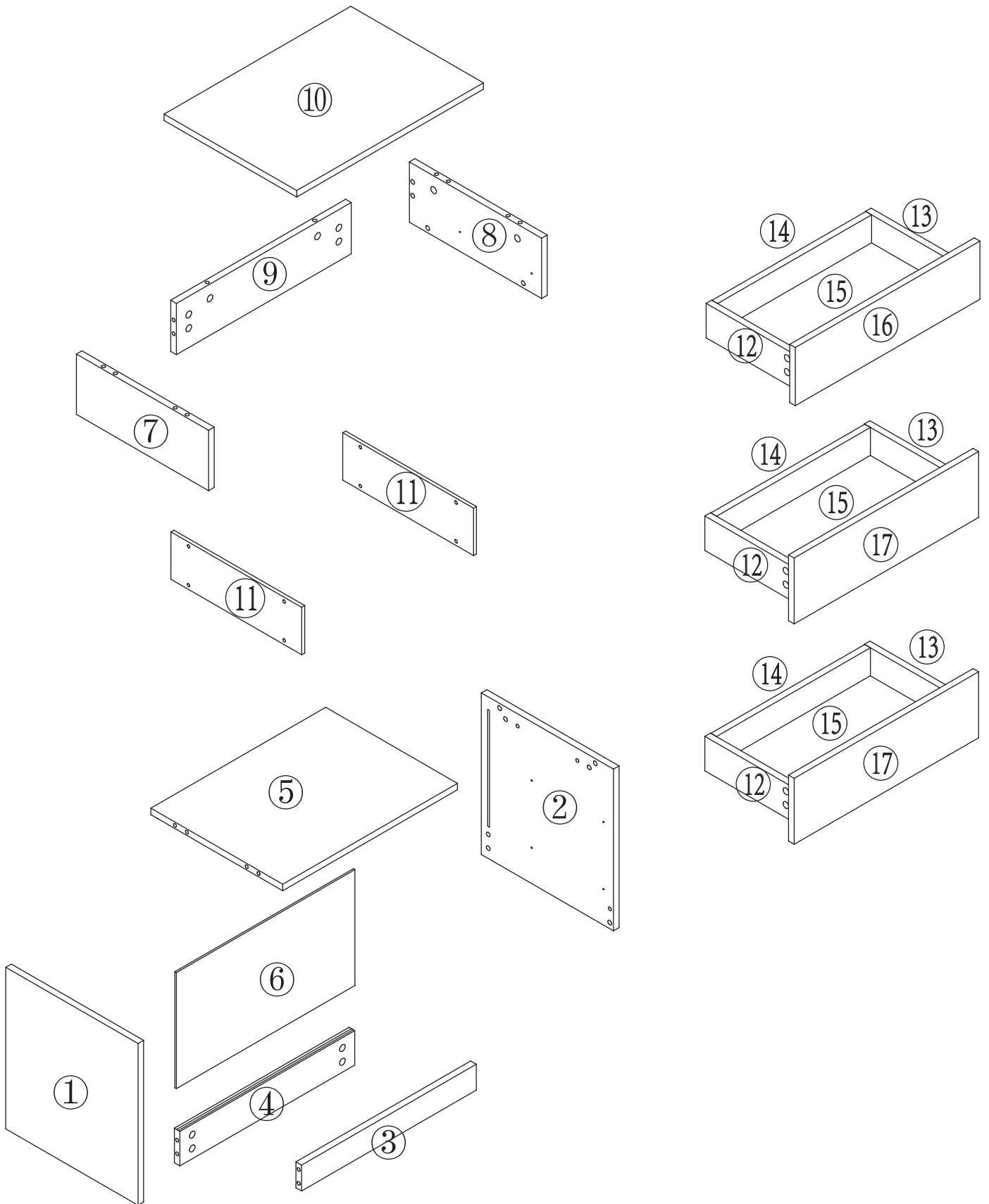
When the number of your order is more than 1, we will split your order and ship the goods separately to ensure the safety.

We promise to deliver at the same time, but the time of receipt may be slightly different due to logistics.

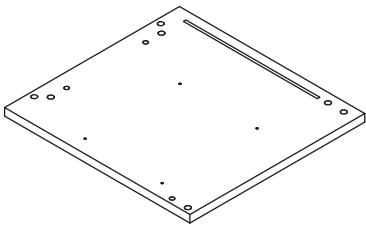
Each tracking number corresponds to only one cargo, you can contact [info@i-aplus.com](mailto:info@i-aplus.com) for more logistics information.

Thanks again for your understanding.

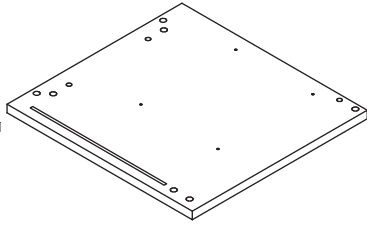
# BOARD IDENTIFICATION



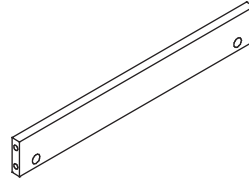
# PARTS LIST



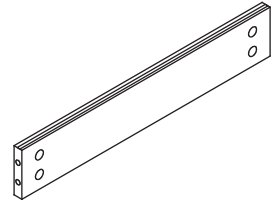
① X1



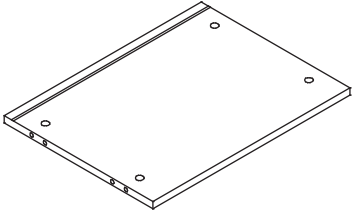
② X1



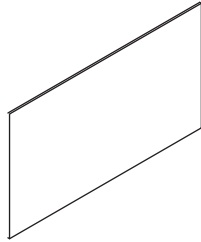
③ X1



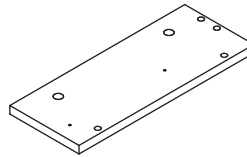
④ X1



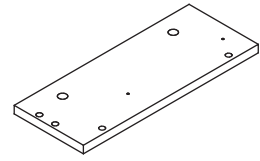
⑤ X1



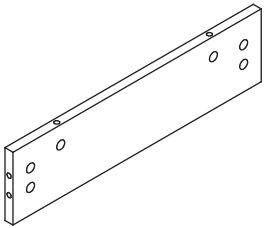
⑥ X1



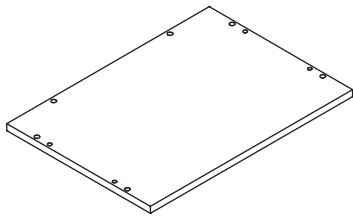
⑦ X1



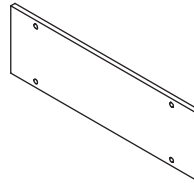
⑧ X1



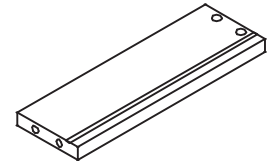
⑨ X1



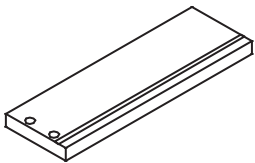
⑩ X1



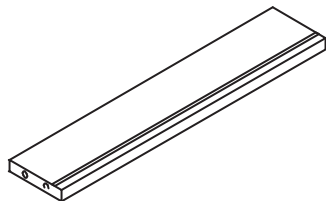
⑪ X2



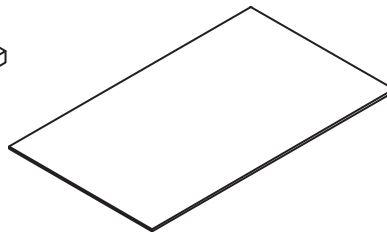
⑫ X3



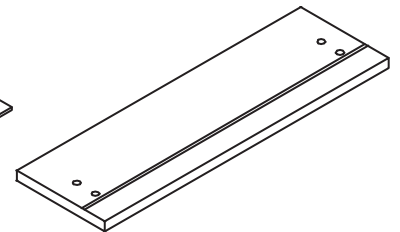
⑬ X3



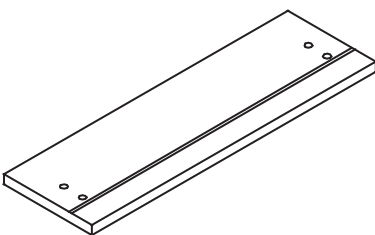
⑭ X3



⑮ X3

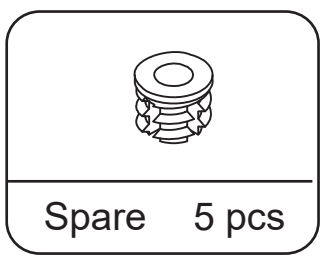
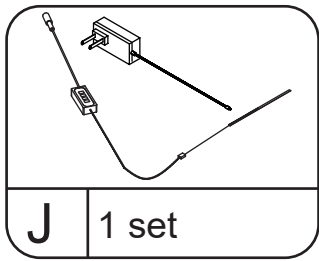
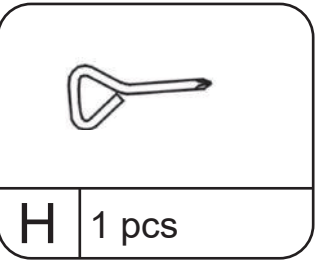
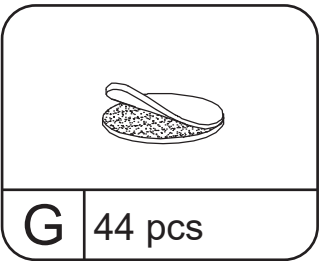
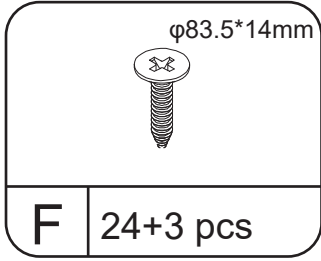
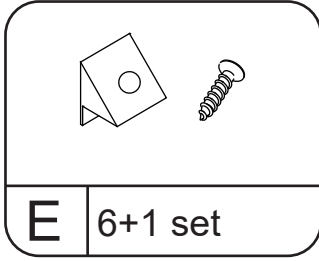
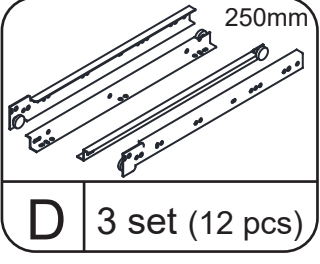
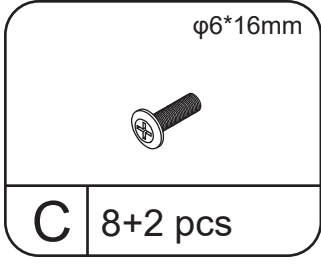
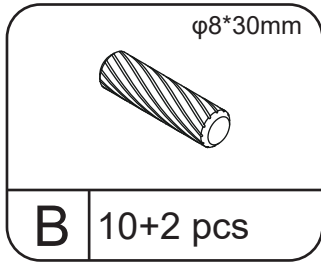
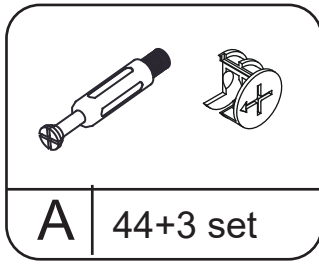


⑯ X1

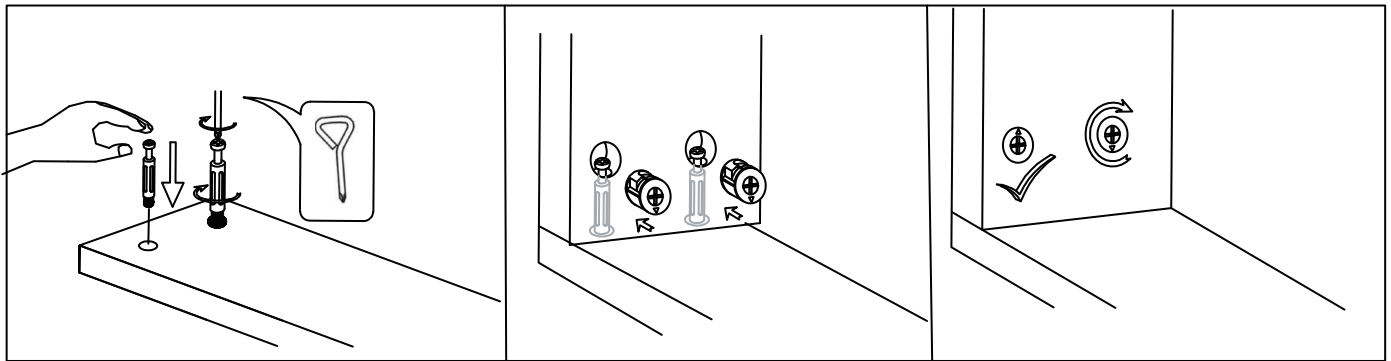


⑰ X2

# HARDWARE LIST



If the nut is missing from the panel,  
use a hammer to drive in the spare nut

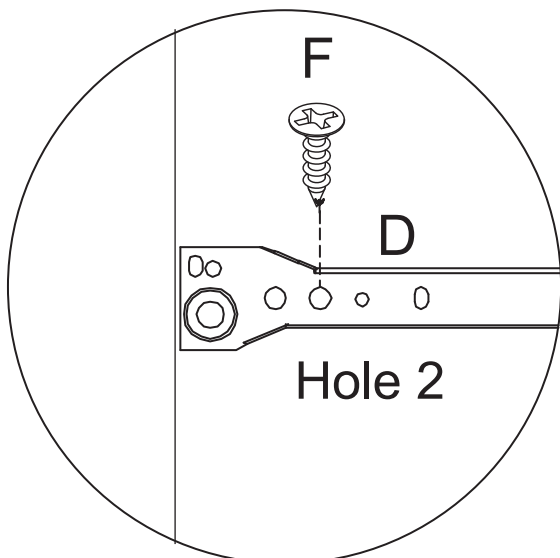
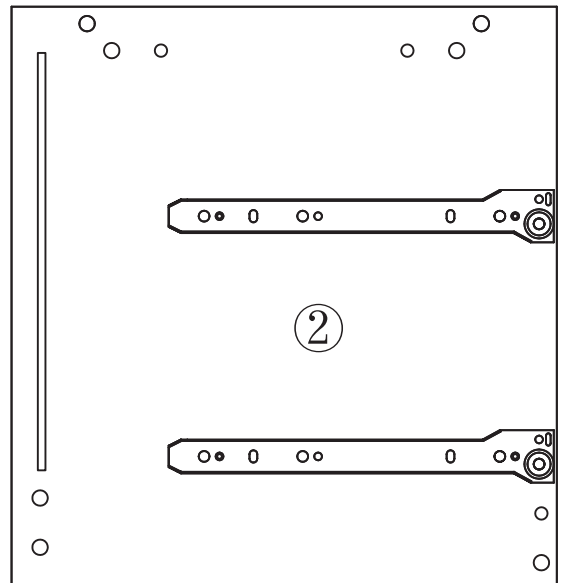
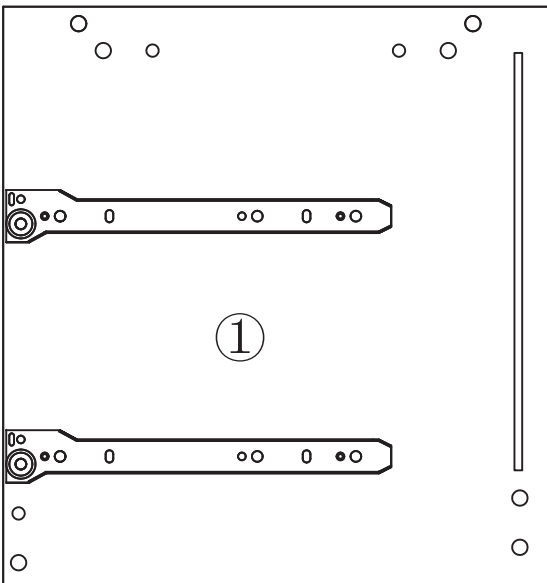
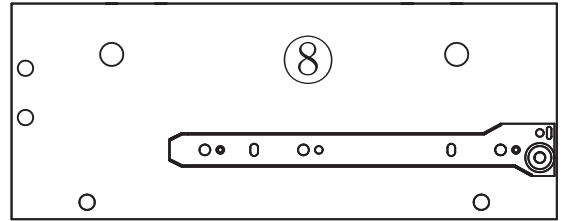
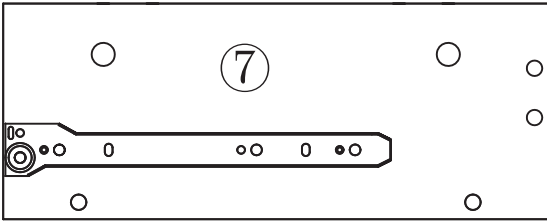


## Attention :

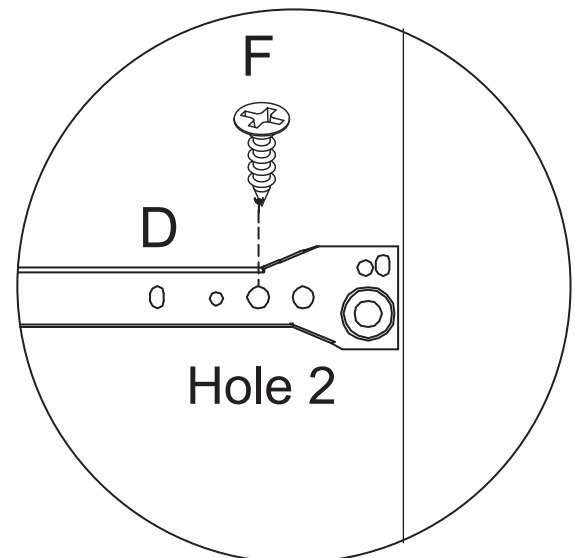
1. Please place the product on the carpet or carton to assemble to avoid scratching the floor;
2. During the installation process, keep away from children and pets, and avoid accidentally swallowing spare parts;
3. It is recommended to use a low-speed electric drill for installation.

# INSTRUCTION MANUAL

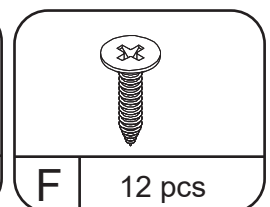
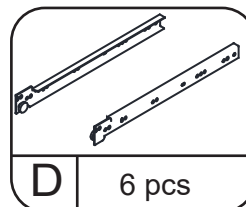
## Step 1



Outer rail

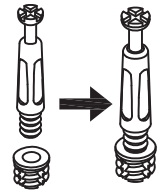
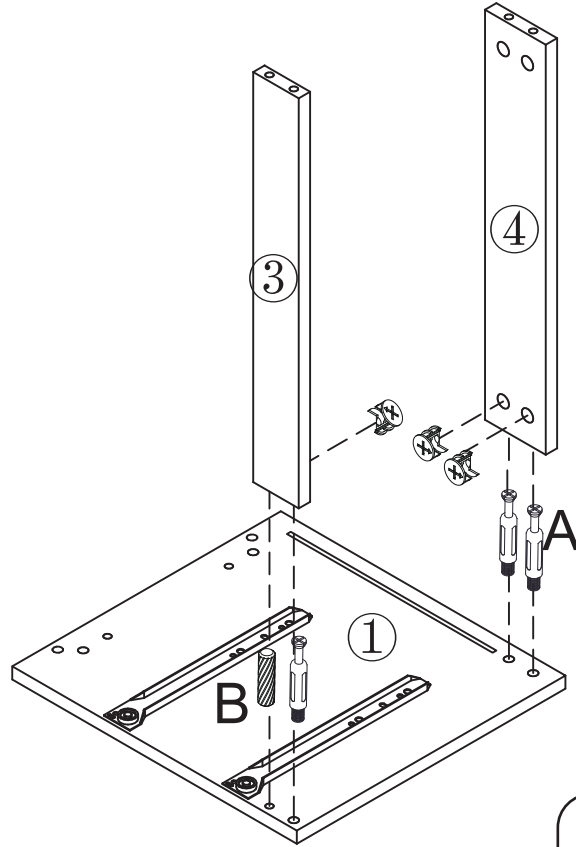
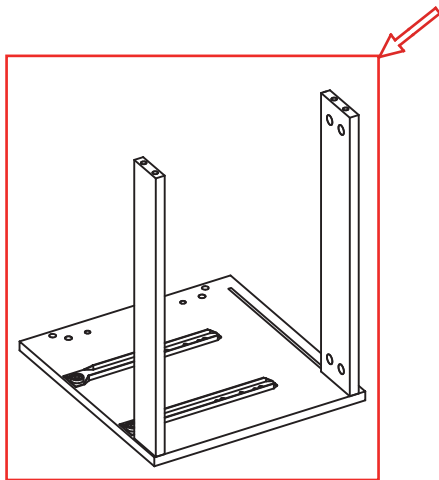


Outer rail

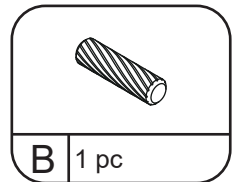
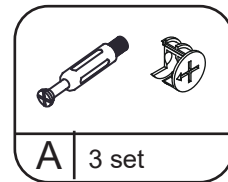
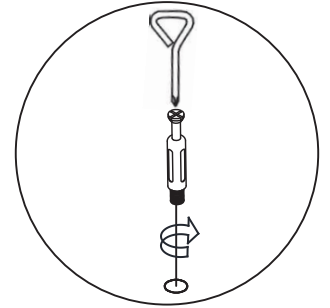


# INSTRUCTION MANUAL

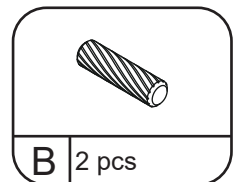
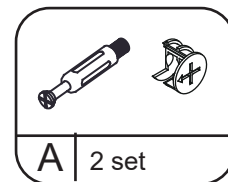
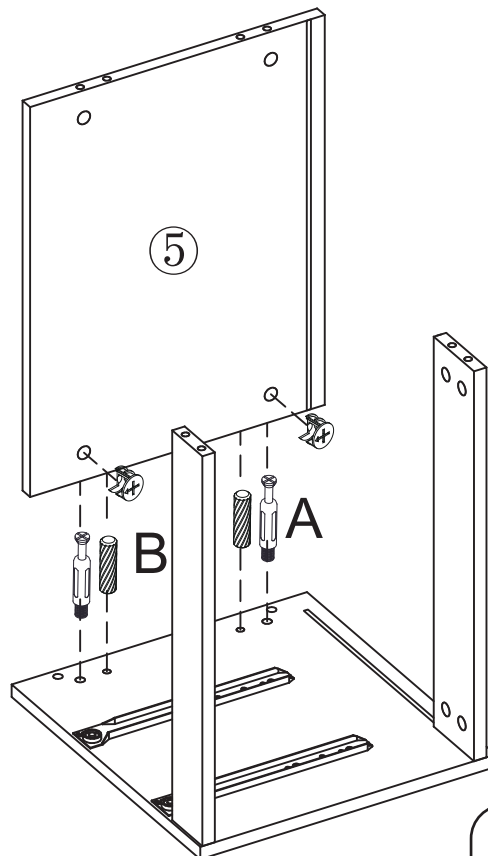
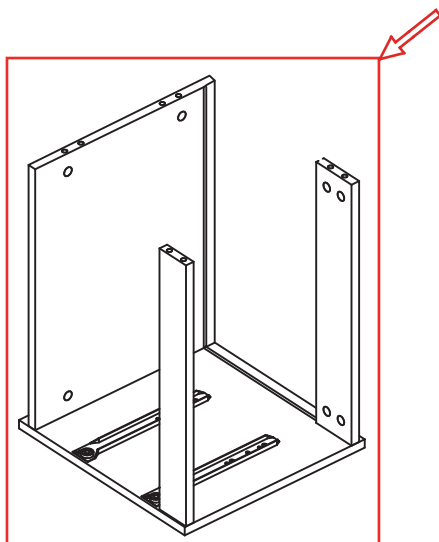
## Step 2



(Attention: Cam bolt & Insert nut need to be put together)

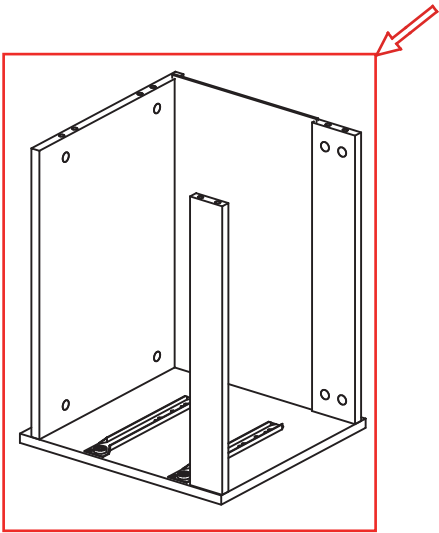
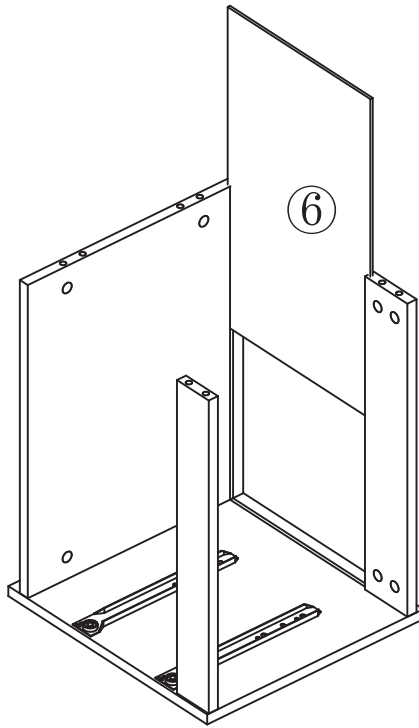


## Step 3

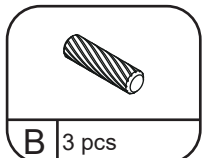
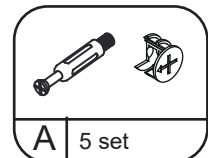
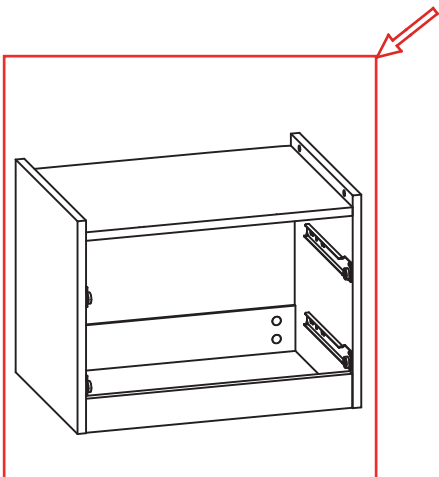
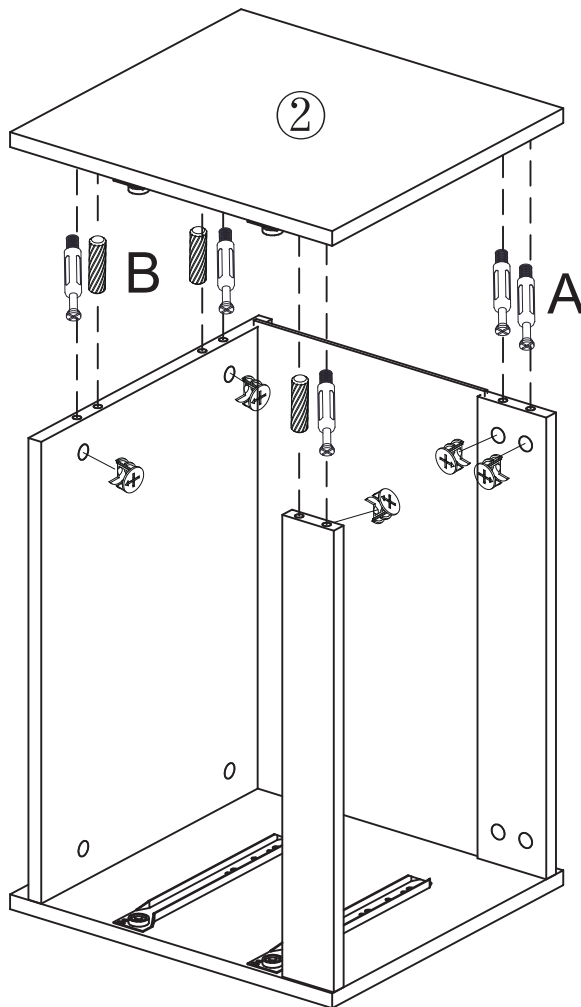


# INSTRUCTION MANUAL

## Step 4

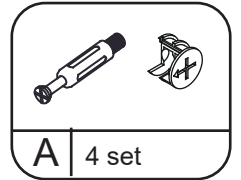
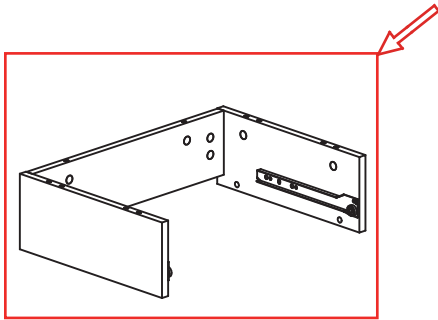
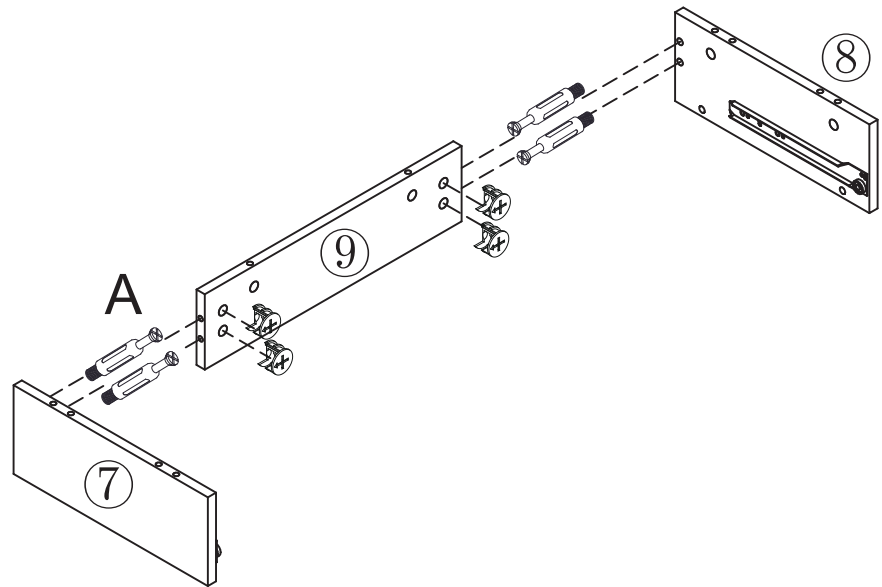


## Step 5

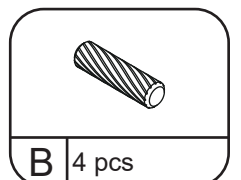
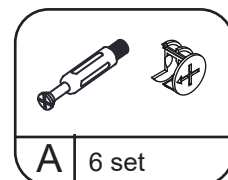
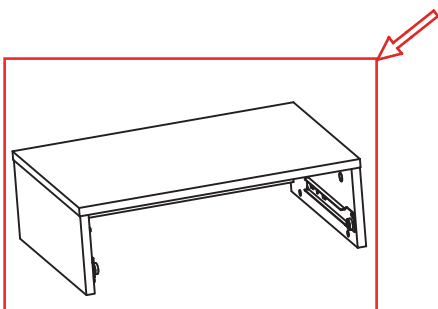
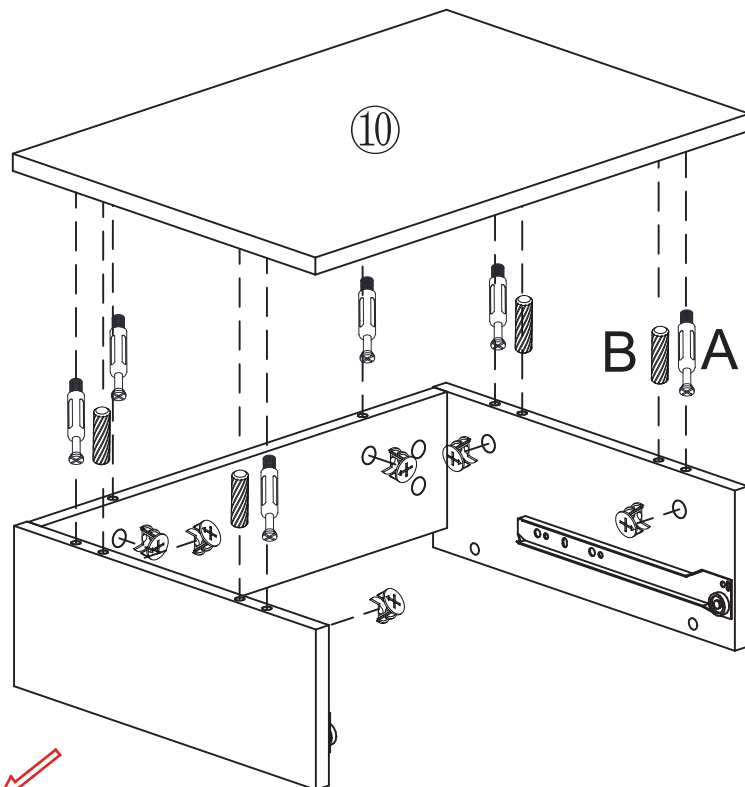


# INSTRUCTION MANUAL

## Step 6



## Step 7



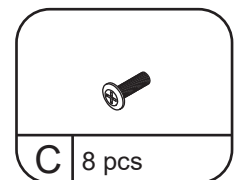
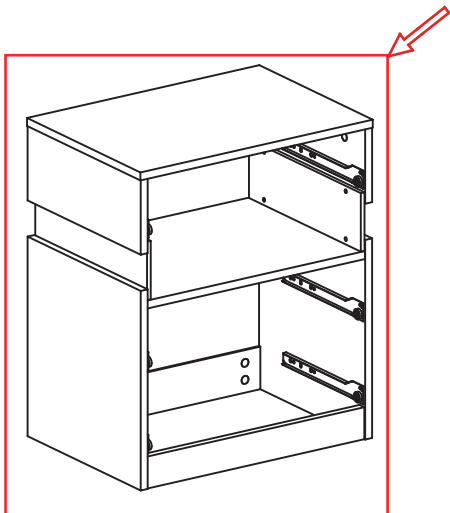
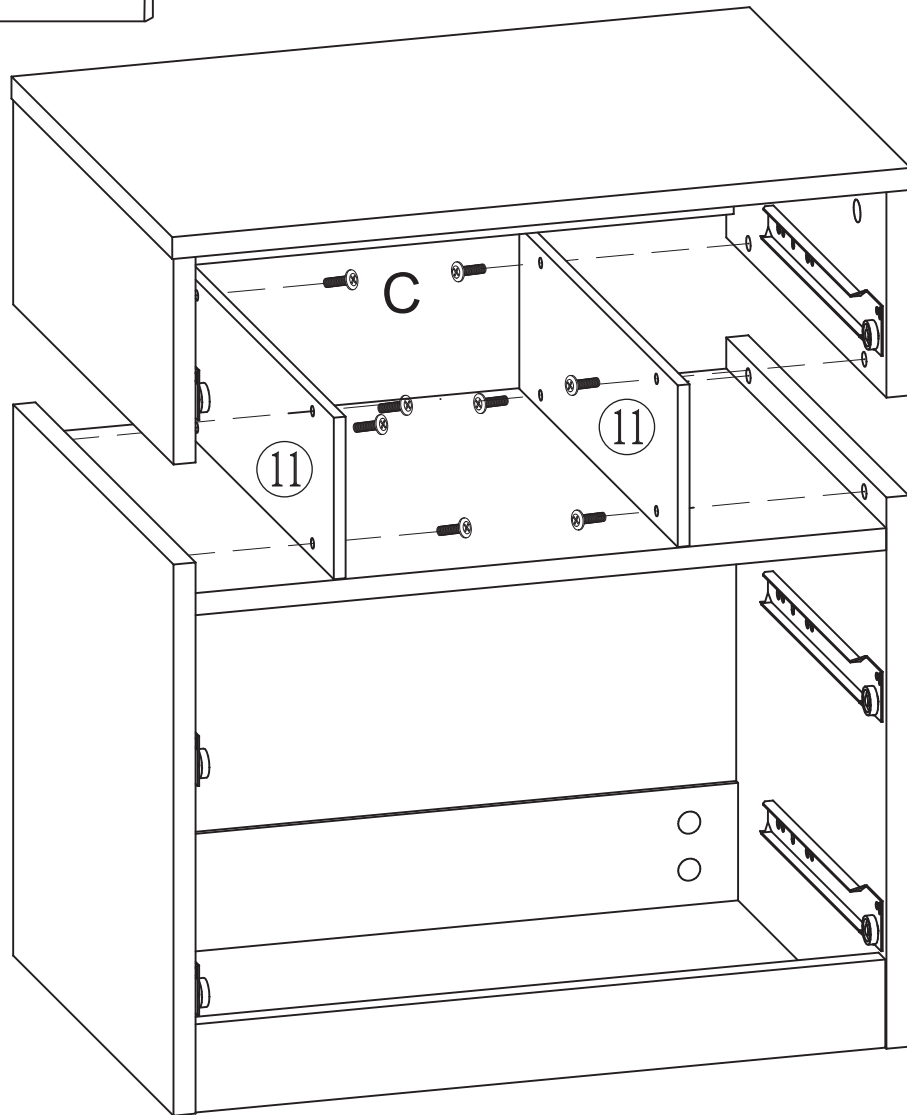


## Step 8

11

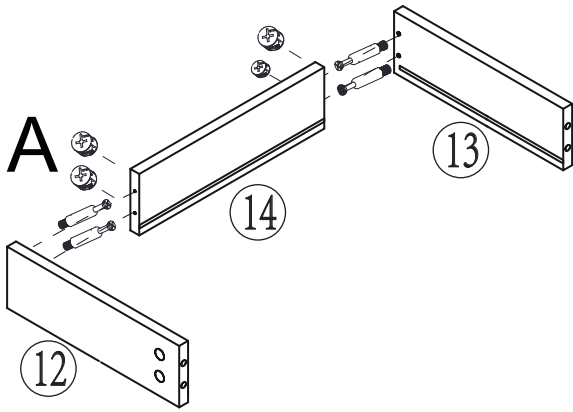


There is a protective film on both sides, please tear it off.

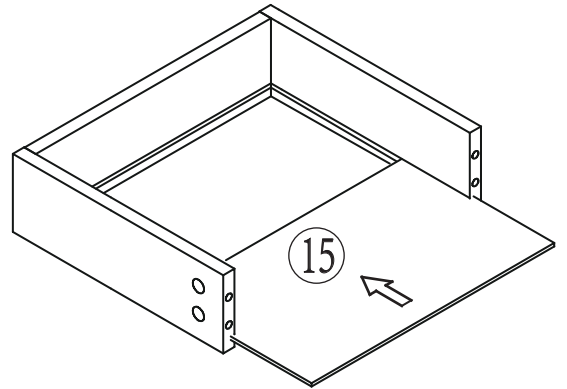


# INSTRUCTION MANUAL

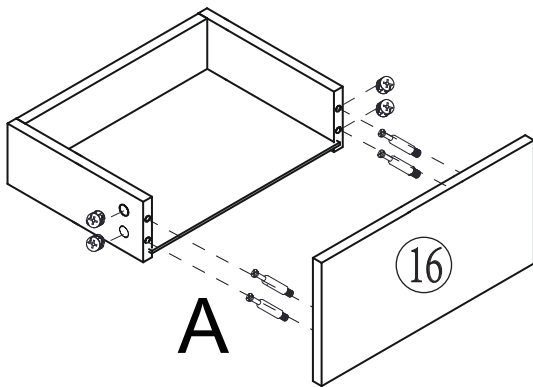
## Step 9



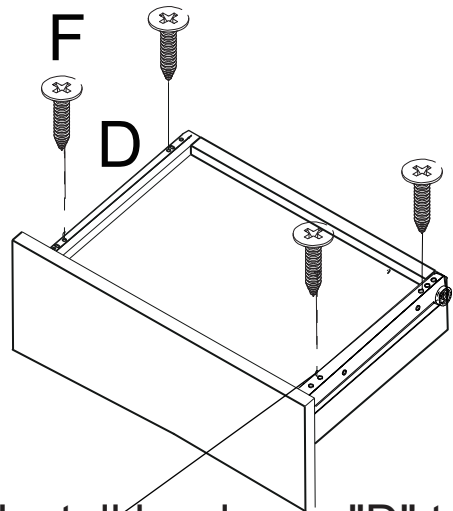
1. Connect part 12 & 13 to 14



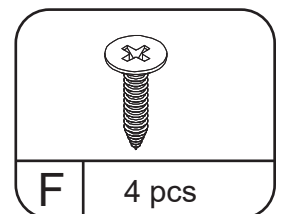
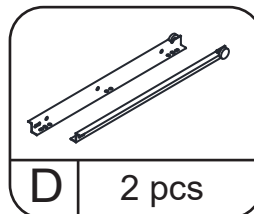
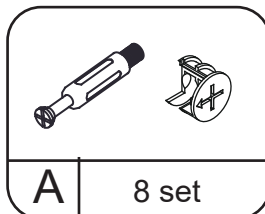
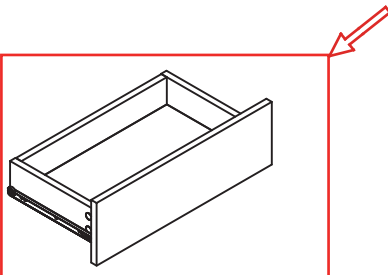
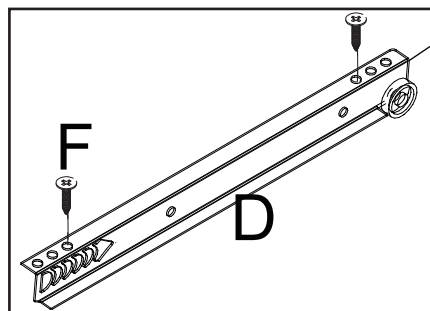
2. Insert part 15



3. Connect Part 16

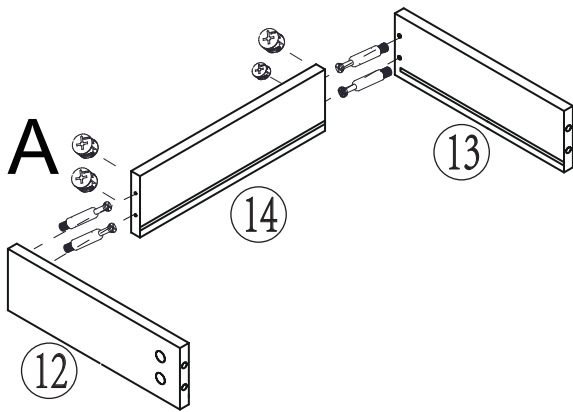


4. Install hardware "D" to part 12 & 13 according to the pre-drilled holes

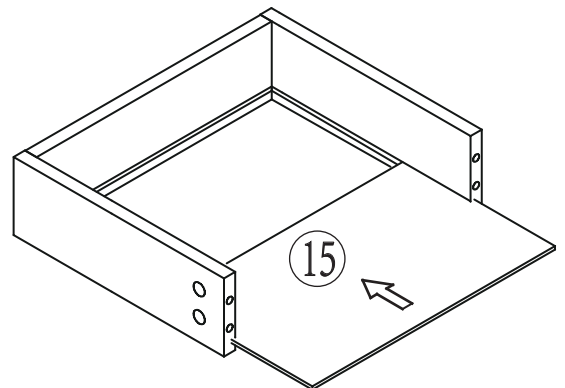


# INSTRUCTION MANUAL

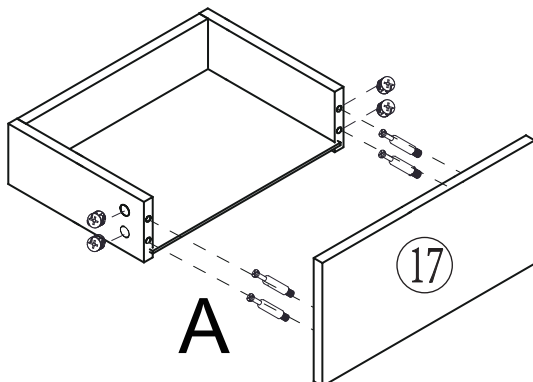
## Step 10 X2



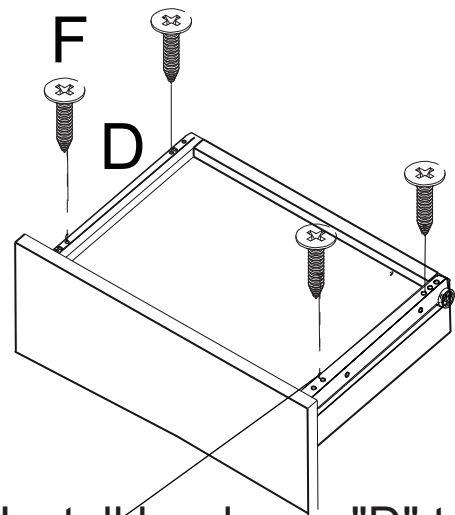
1. Connect part 12 & 13 to 14



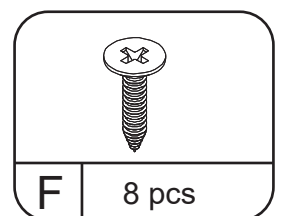
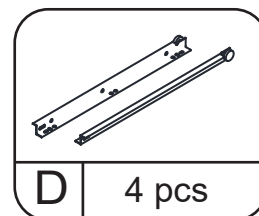
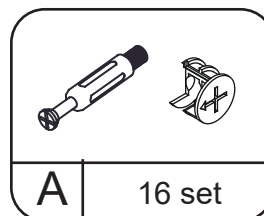
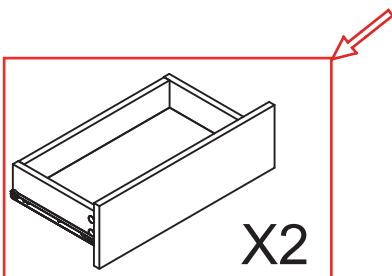
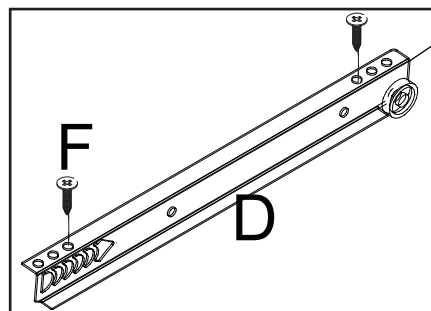
2. Insert part 15



3. Connect Part 17

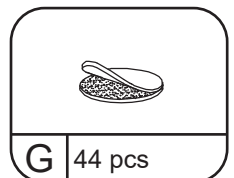
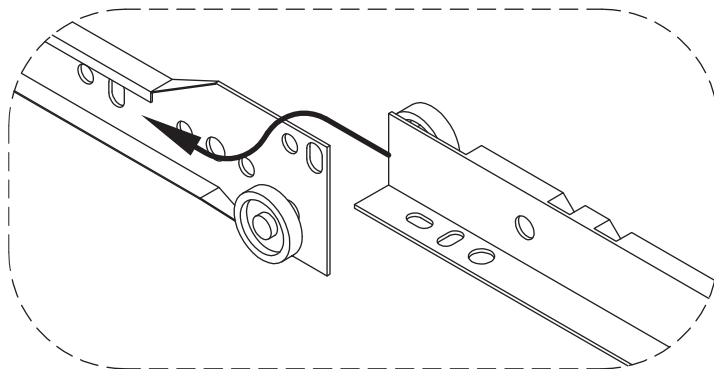
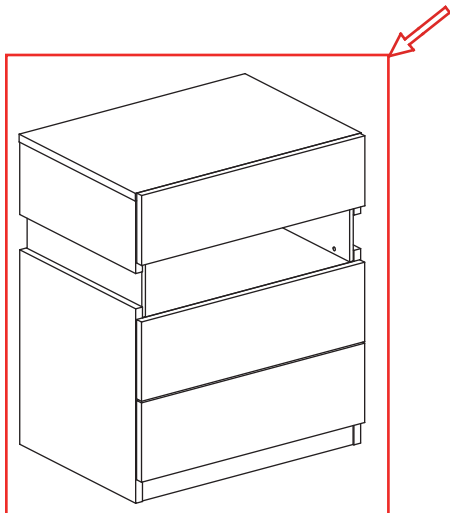
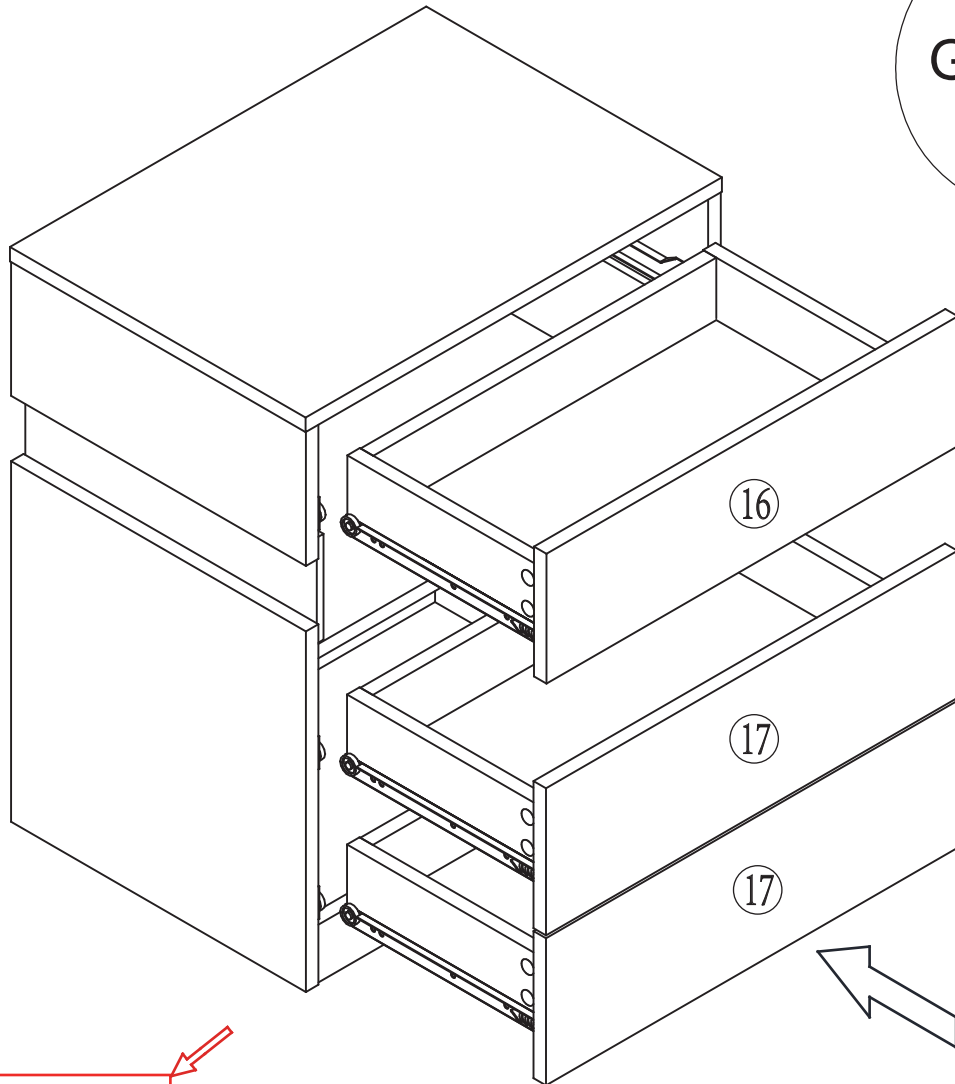
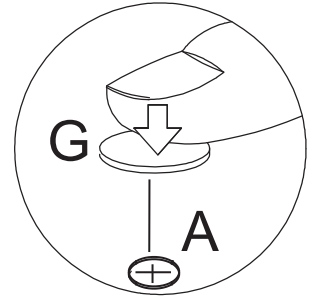
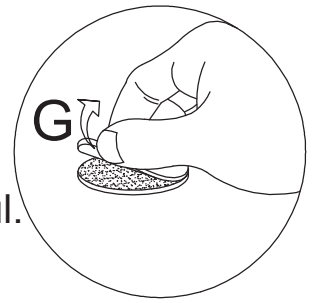


4. Install hardware "D" to part 12 & 13 according to the pre-drilled holes

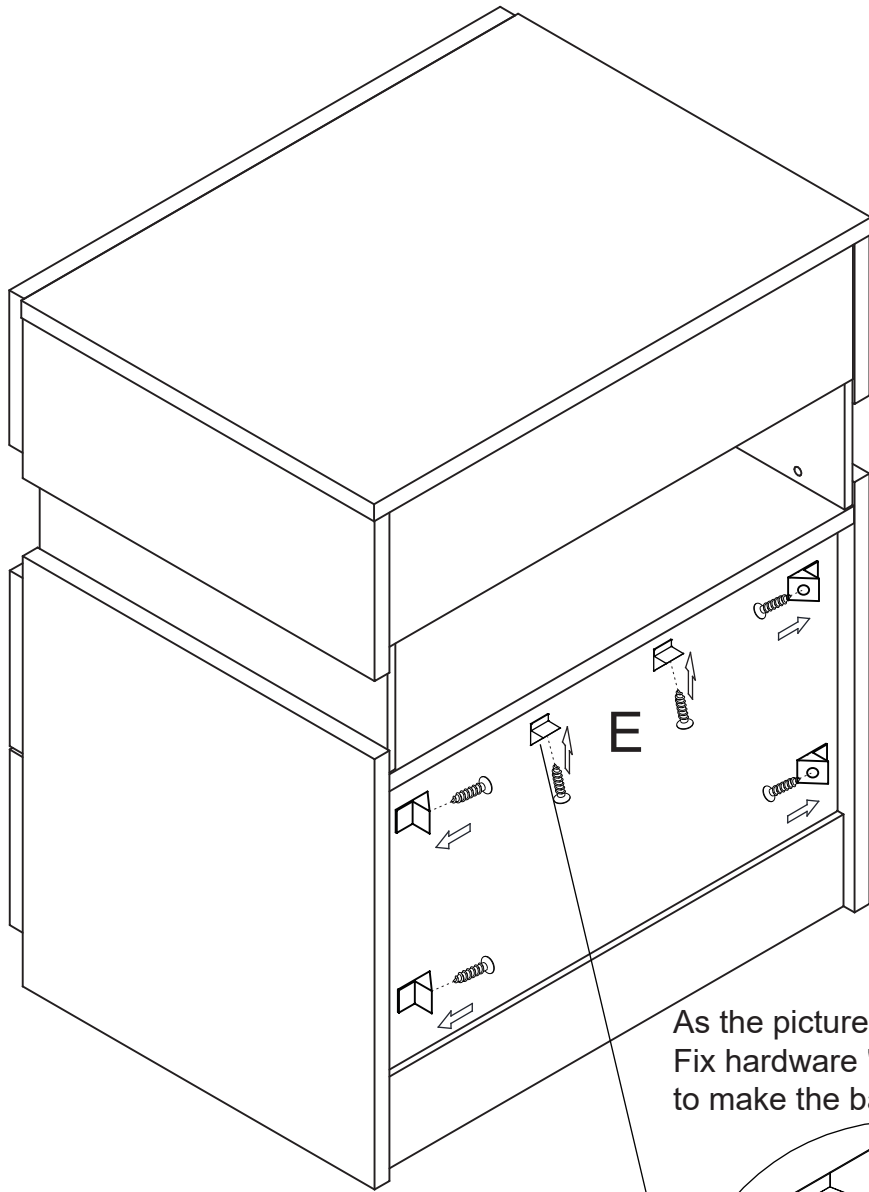


## Step 11

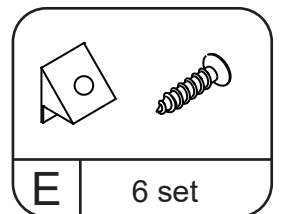
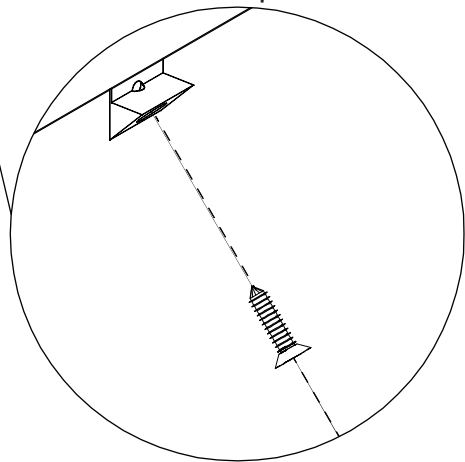
Please stick the hardware "G" on the exposed cam lock hole that makes your product more beautiful.



## Step 12



As the picture shows,  
Fix hardware "E" into the gap with screws  
to make the back panel more stable.

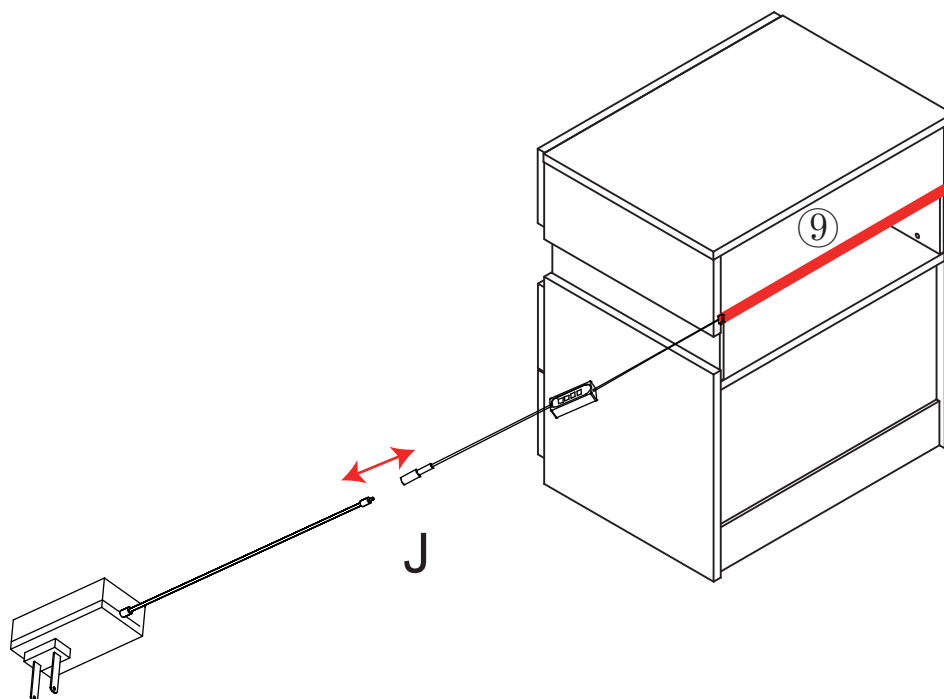
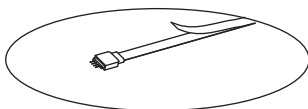


## Step 13

Stick Light strip to the ⑨

Note:

If the Light strip is pasted incorrectly, it should be gently removed to prevent damage.



Note: The installation direction of the LED light strip can be left and right, either side is OK.

