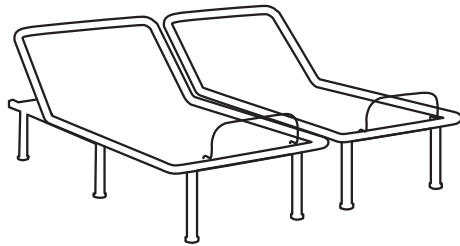
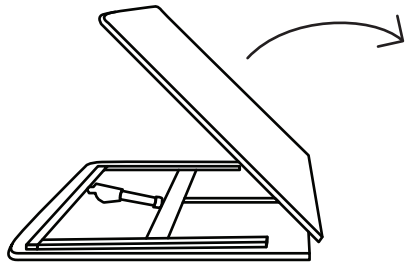


Genius Base Quick Start Guide

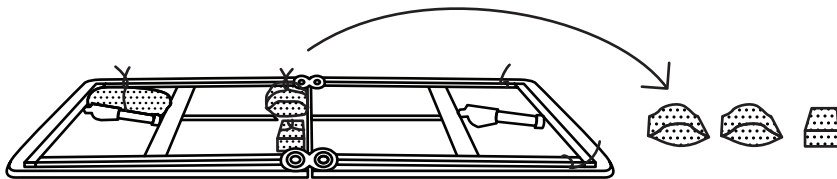
Flex King/Standard King (2x Twin XL)



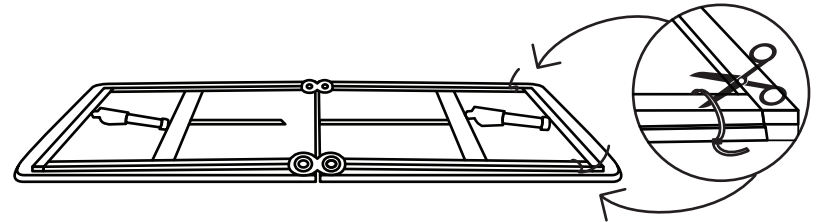
- 1** Unfold base on the ground facing upside down.



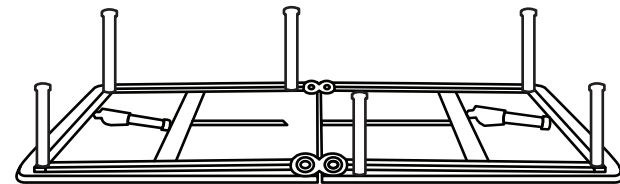
- 2** Untie twist ties and take out 2 bags and 1 box that are fastened to the frame.



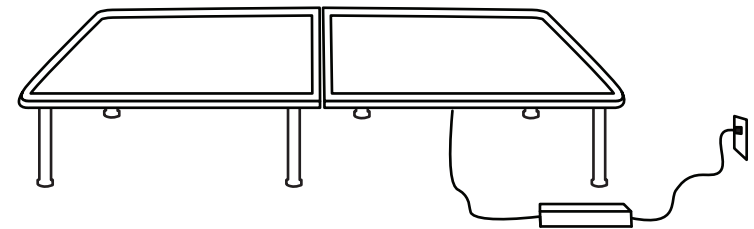
- 3** Cut cable ties (x2) holding the base to Flex Headboards.



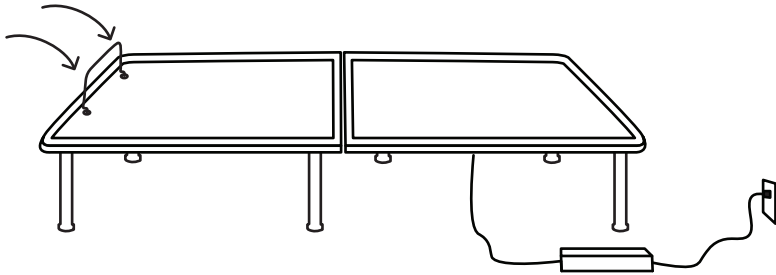
- 4** Screw in legs (x6).



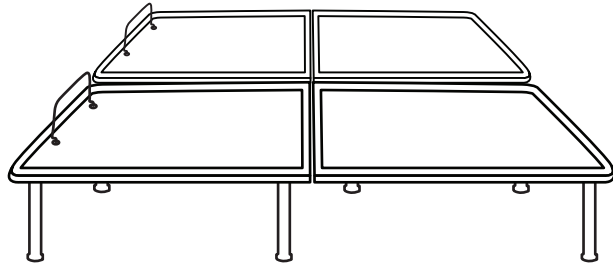
- 5** Flip over onto legs, take care to hold the headboard since it is now loose from the frame. Plug base into power.



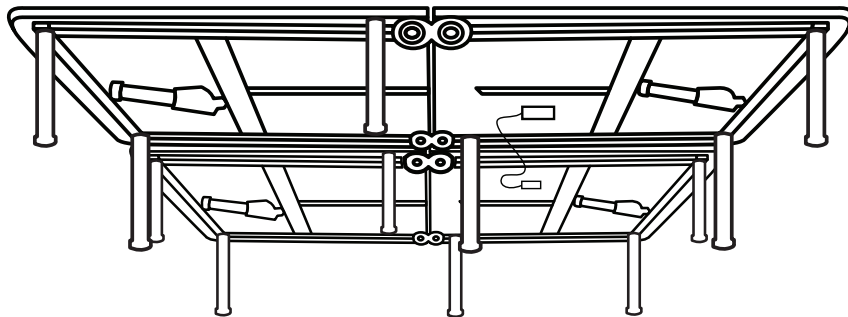
6 Insert Mattress Bar.



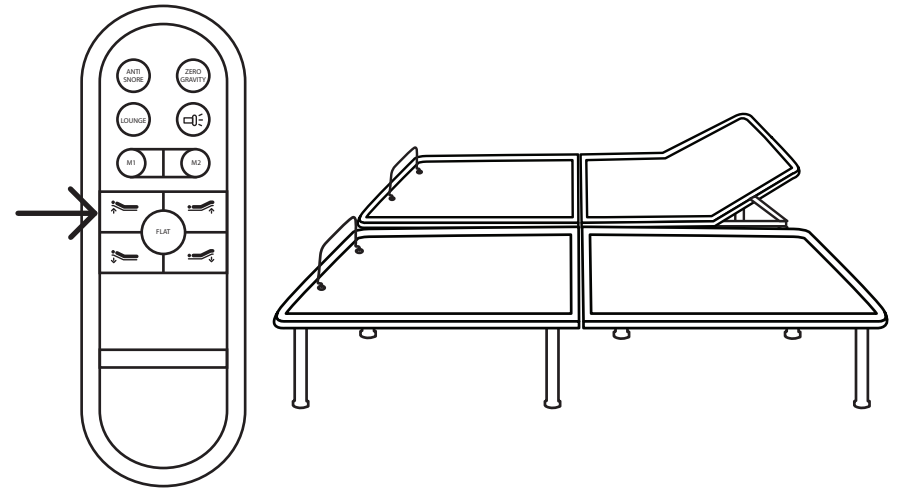
7 Repeat steps 1-6 to assemble second Twin XL, place side by side once assembled.



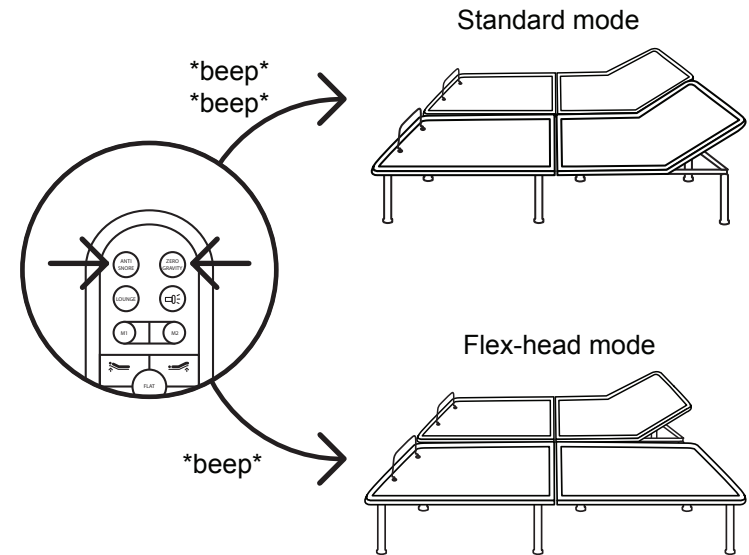
8 On the underside of each of the bases connect the Sync cord into the Sync boxes.



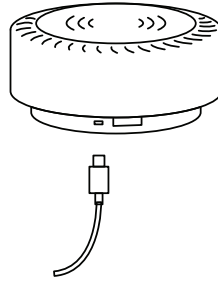
9 Use one of the two remotes and press the head up button. If both heads rise, the base is in Standard Queen Mode. If only one rises, the base is in Flex-Head Mode.



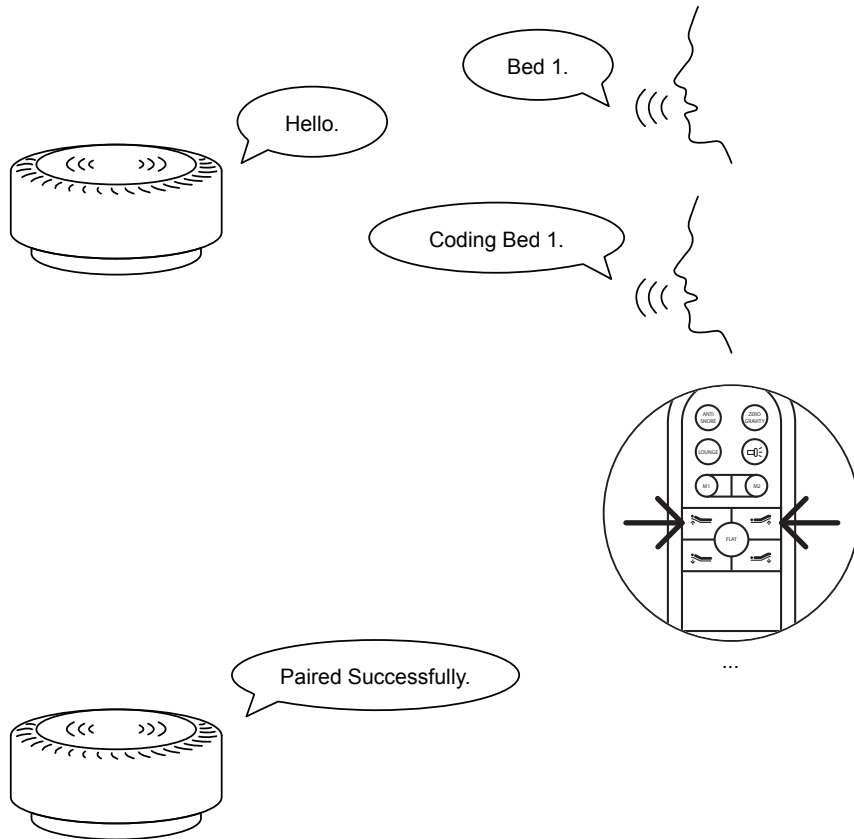
10 To Toggle between Flex-Head Mode and Standard Mode, press and hold both the “Anti-Snore” & “Zero Gravity” simultaneously on the remote until you hear one or two beeps. One beep means you are in Flex-head mode, two beeps means you are in Standard Mode.



11 Plug Voice Activation Device into power.



12 Wake up the device by saying "Bed 1." After hearing the device say "Hello," say, "Coding Bed 1", and then press and hold the head up & foot up buttons simultaneously on remote until you hear "paired successfully."



13 Repeat using "Bed 2" and "Coding Bed 2" with the other remote.

14 Now you can control your base by using these preset voice commands:

- "Genius Base" / "Bed 1" / "Bed 2" to activate your bed.
- "Head Rise", "Head Down"
- "All Flat"
- "Zero Gravity"
- "Anti-Snore"
- "All Stop"

