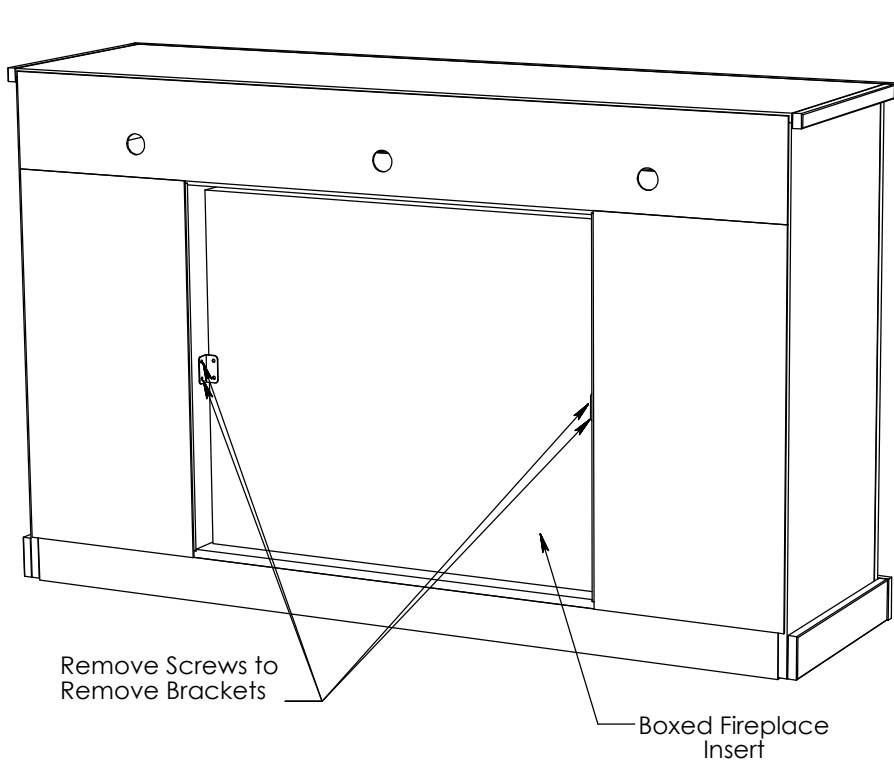


Fireplace Instructions

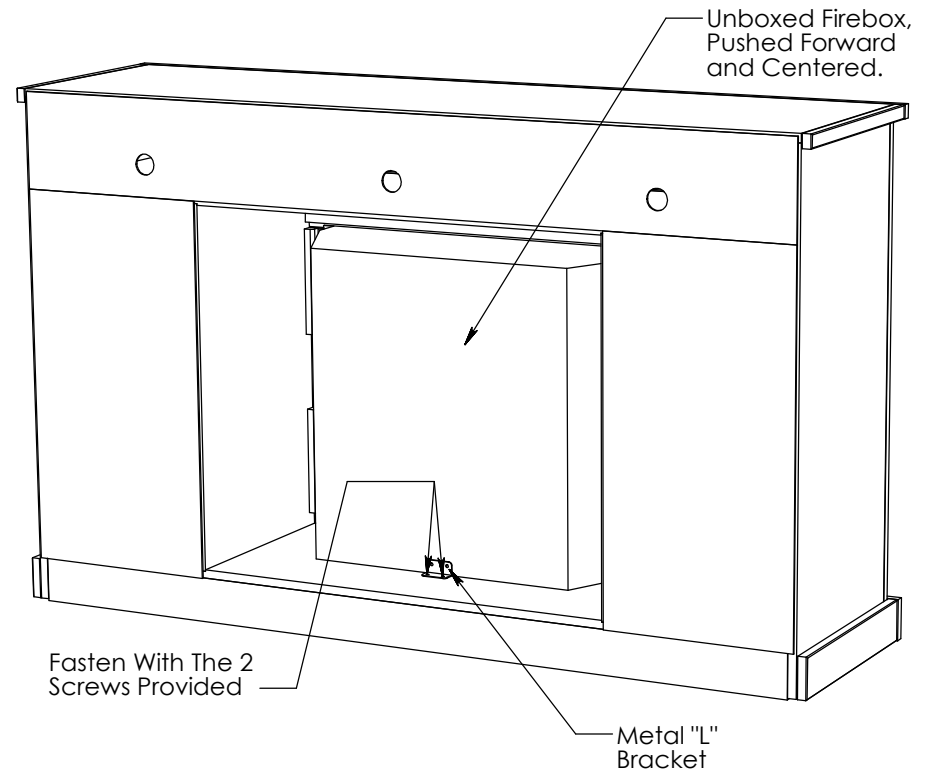


Step 1

Use a Phillips head screwdriver to remove the screws from the Metal "L" Brackets that are holding the boxed fireplace in place during shipping.

Remove the cardboard packing from along side and above the firebox, and gently slide the firebox from out the rear of the unit.

Carefully unbox the firebox and make sure you account for all the components as listed in the firebox manual.



Step 2

Remove all packing materials from the firebox as per the instruction manual, and then carefully slide the firebox into the unit from the rear.

The firebox should slide all the way forward until the front face is nearly flush with the front moldings of the fireplace unit.

Once the firebox is in place and properly centered, locate the Metal "L" Bracket that was in the plastic bag, along with these instructions, and place it up against the back of the firebox, near the middle of the firebox. Attach the Bracket to the wooden bottom of the unit with the 2 screws as shown. DO NOT attempt to fasten any screws to the back of the firebox.

Plug the firebox in as per the manual, and carefully slide the fireplace unit into place against the wall, using care not to pinch the cord.

Congratulations on your purchase.