





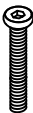
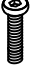






ZBRD-7000QN/7001QN/7002QN/7003QN/7004QN /7006QN/7007QN Queen Bed Assembly Instructions

LEGENDS
HOME


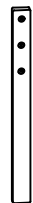

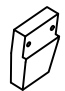


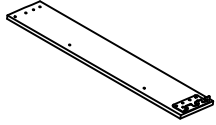
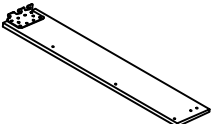
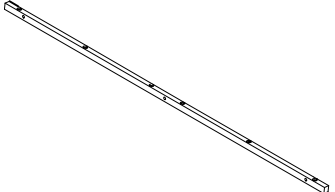
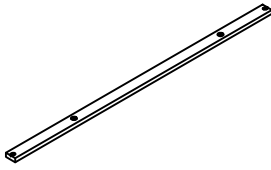
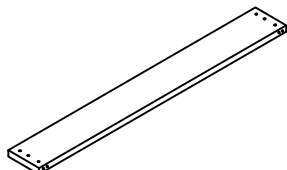
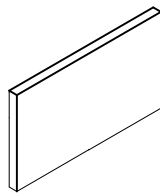
- Two adults are required for assembly of this product.
- DO NOT use any sharp objects to open plastic wrapped components as damage to product or components may result.
- Carefully remove all of the components from the packaging and set aside for assembly.
- Assemble on a soft surface to prevent scratching the finish.
- About your furniture piece:
 - Softening of foam is natural and will happen over time with use.
 - Fabric will fade or discolor in direct sunlight. Minimize exposure to direct sunlight to extend the life of your furniture.
 - Wood grain, knots, streaks, and color variation occur naturally in wood and are not considered defects.

NOTICE: DO NOT PLACE MATTRESS DIRECTLY ONTO THE SLATS. A FOUNDATION/BOX SPRING MUST BE USED.

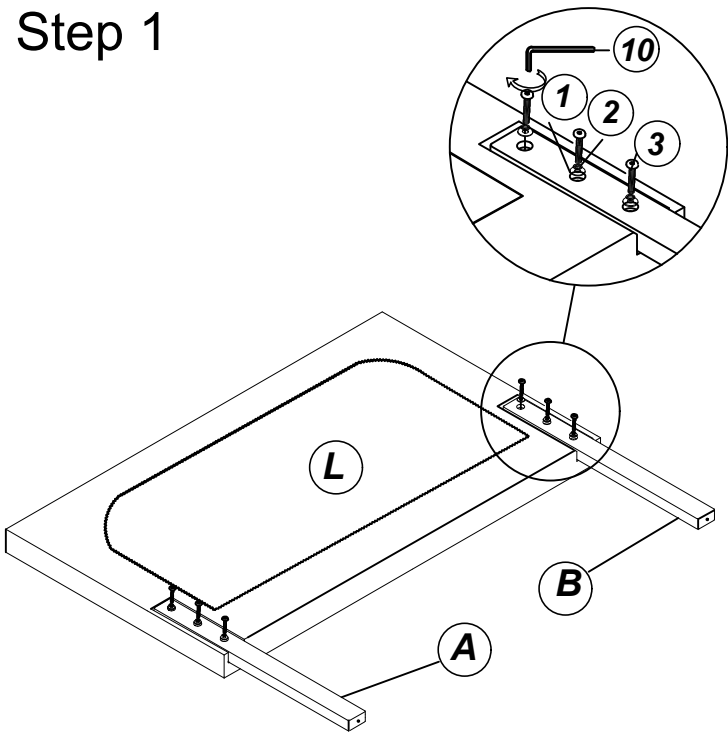
HARDWARE LIST

- | | | | | |
|--|---|--|---|---|
| 
1 QTY <u>20</u>
Washers
5/16**19*2mm | 
2 QTY <u>20</u>
Spring Washers
5/16**13*1.5mm | 
3 QTY <u>8</u>
Hex Bolts 5/16**60mm | 
4 QTY <u>12</u>
Hex Bolts 5/16**35mm | 
5 QTY <u>30</u>
Washers
1/4**16*2mm |
| 
6 QTY <u>30</u>
Washers
1/4**16*2mm | 
7 QTY <u>8</u>
Hex Bolts 1/4**25mm | 
8 QTY <u>18</u>
Hex Bolts 1/4**40mm | 
9 QTY <u>4</u>
Hex Bolts 1/4**45mm | 
10 QTY <u>1</u>
Allen key 5/32" |

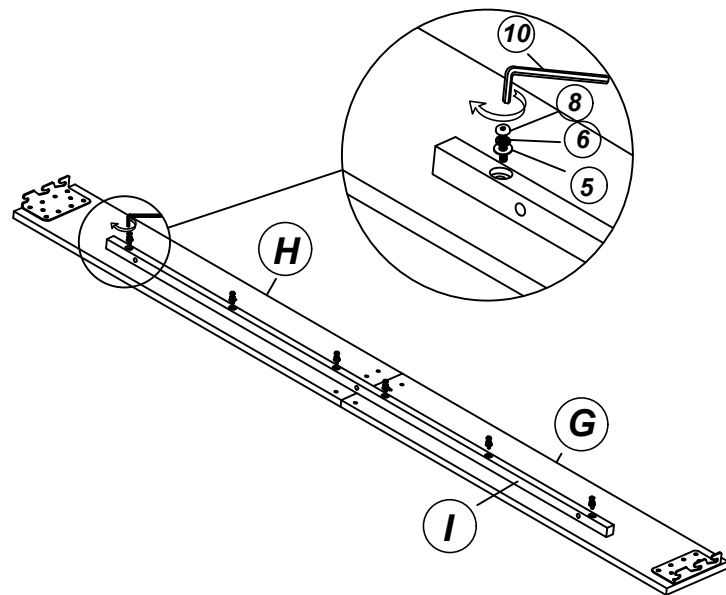
PARTS LIST

- | | | | | |
|---|--|--|--|---|
| 
A QTY <u>1</u>
Right Headboard Leg | 
B QTY <u>1</u>
Left Headboard Leg | 
C QTY <u>3</u>
Slat Support Leg | 
D QTY <u>2</u>
Side Rail leg | 
E QTY <u>2</u>
Footboard leg |
| 
F QTY <u>2</u>
Side Rail bracket | 
G QTY <u>2</u>
Right Side Rail | 
H QTY <u>2</u>
Left Side Rail | 
I QTY <u>2</u>
Slat Support bar | |
| 
J QTY <u>3</u>
Slats | 
K QTY <u>1</u>
Footboard | 
L QTY <u>1</u>
Headboard | | |

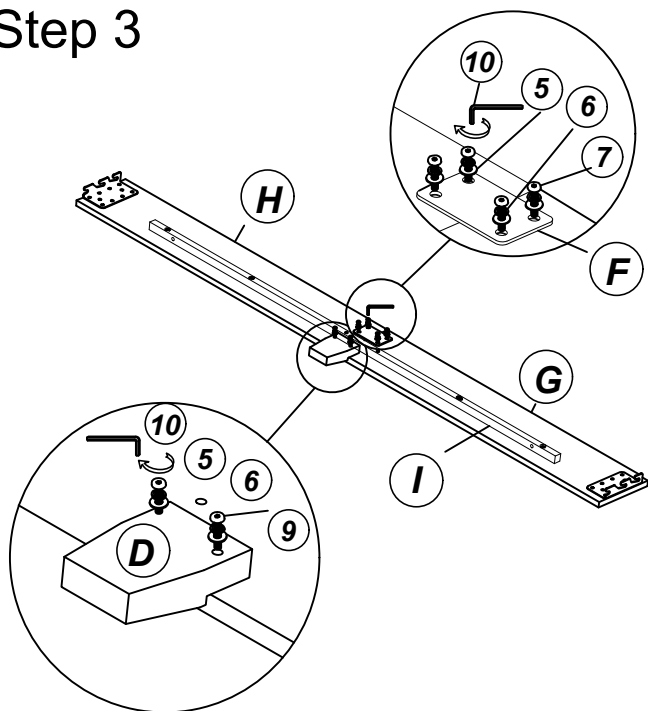
Step 1



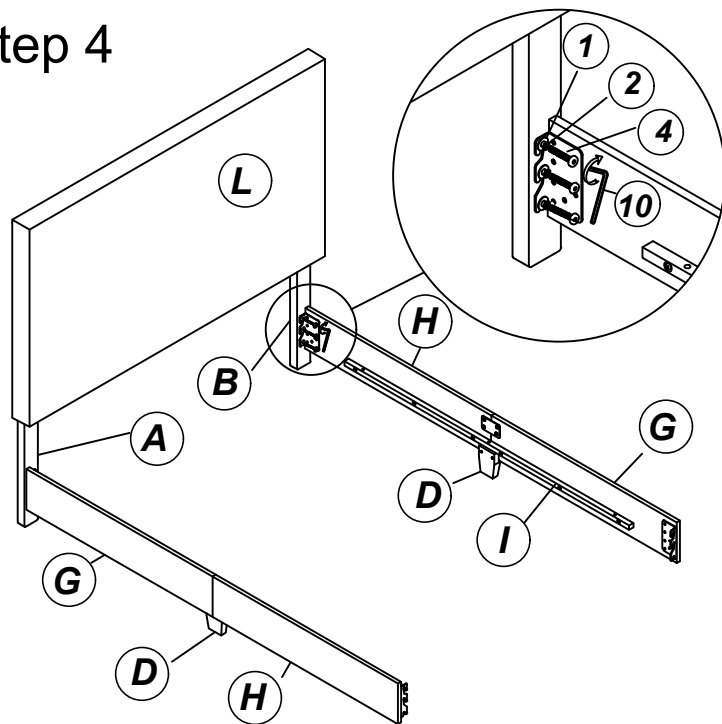
Step 2



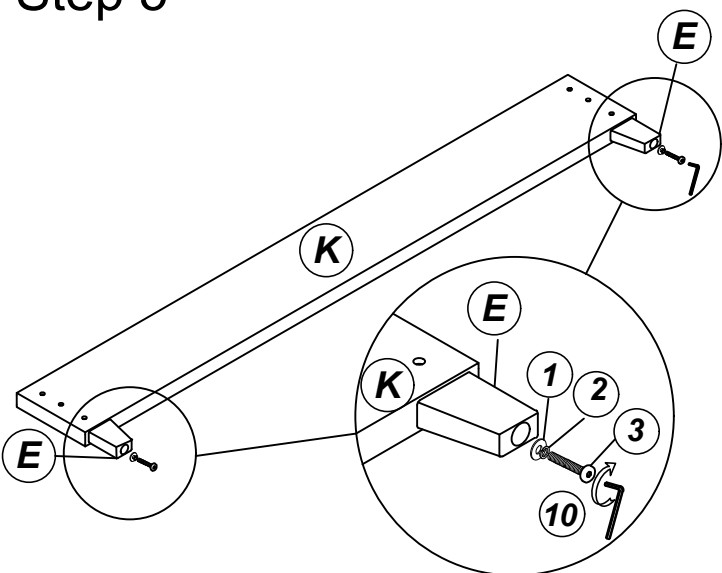
Step 3



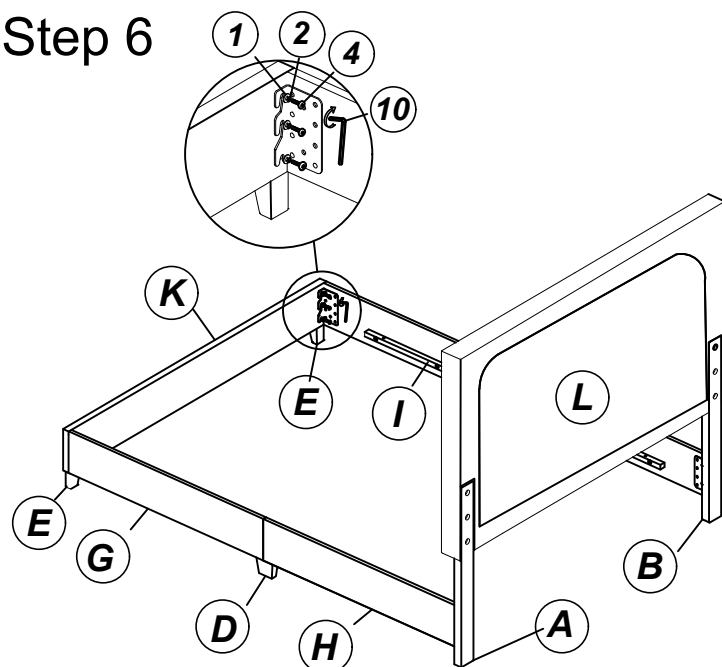
Step 4



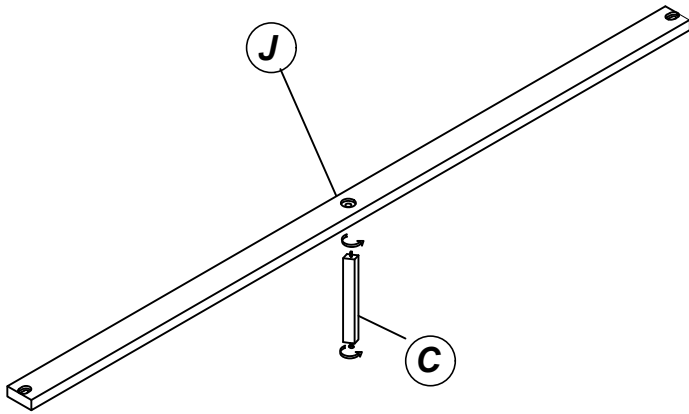
Step 5



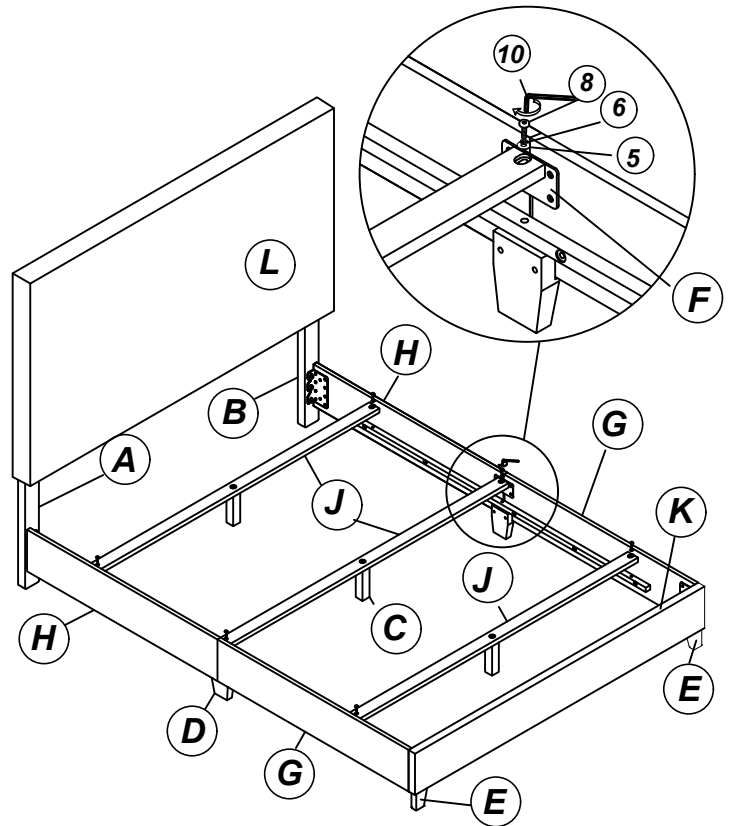
Step 6



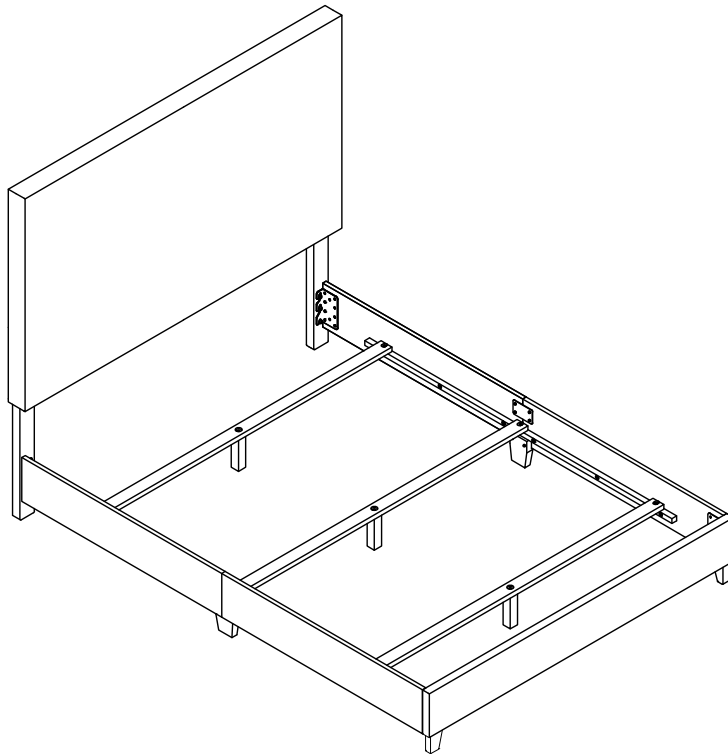
Step 7



Step 8



Step 9



NOTICE: DO NOT PLACE MATTRESS DIRECTLY ONTO THE SLATS. A FOUNDATION/BOX SPRING MUST BE USED.