

⚠ WARNING

To reduce the risk of injury, adult supervision is required. Never use on roadways, near motor vehicles, on or near steep inclines or steps, swimming pools or other bodies of water; always wear shoes, and never allow more than one rider.

- Never leave a child unattended.
- Always sit in the seat when using this vehicle.
- Keep your hands, hair, and cloths away from moving parts.
- Children under 3 years of age cannot use the vehicle.
- Only drive on level ground.
- Do not drive the vehicle into loose dirt, mud sand, fine gravel, or on wet surfaces.

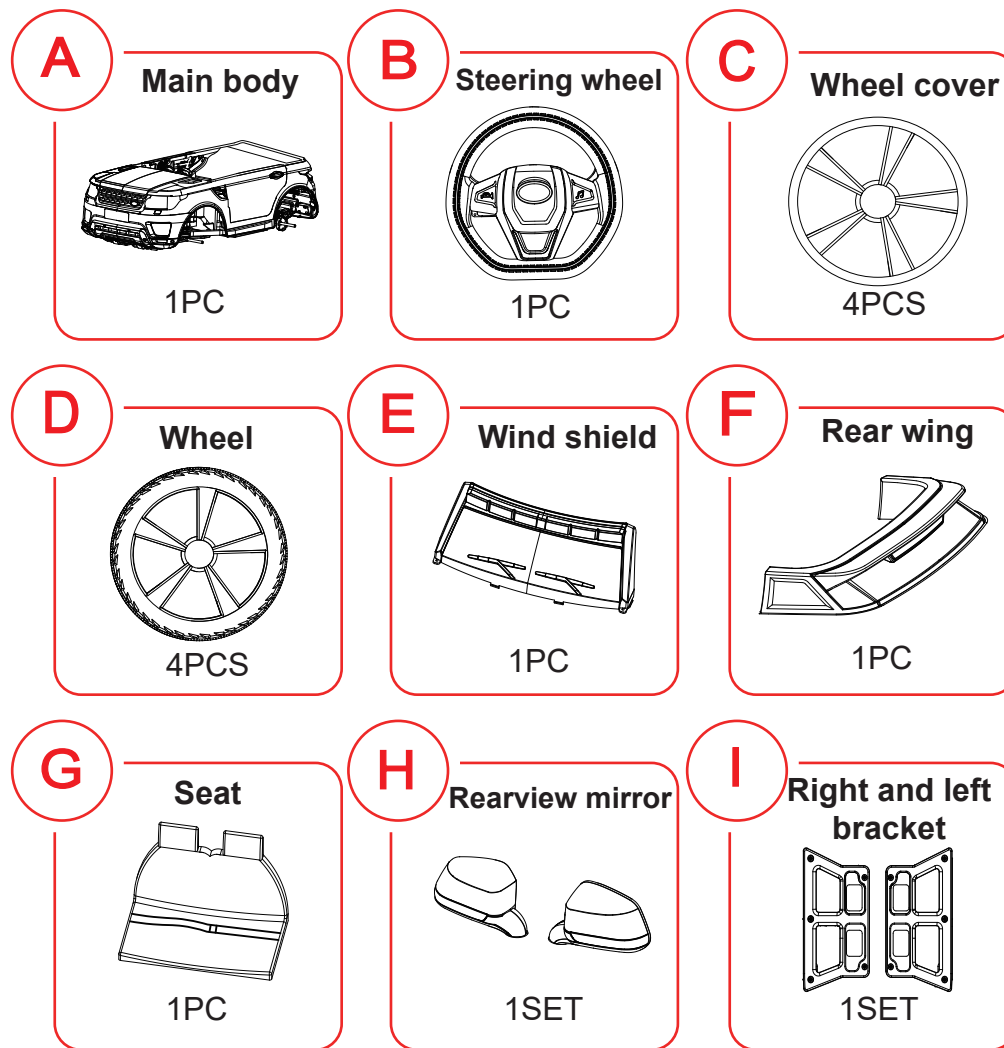
Specifications

Battery Mode	12V4.5AH*1
G.W	44LBS
N.W	35LBS
Suitable Age	37-95Months
Maximum Load	66LBS
Charging Time	8~12Hours
Charger	Input AC110-220V Output DC12V500MA
Speed	3-5mph

California Proposition 65

⚠ WARNING: Battery posts, terminals, and related accessories can expose you to chemicals including lead and lead compounds, which are known to the State of California to cause cancer and birth defects or other reproductive harm, and are toxic and corrosive. Wash hands after handling. For more information go to www.P65Warnings.ca.gov

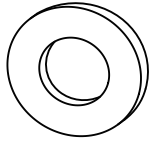
Structure Chart



Spare Parts

J

Washer



6 PCS

K

Screw



15PCS

L

Nut



1PC

M

Screw



1PC

N

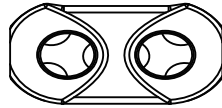
Cotter pin



4PCS

O

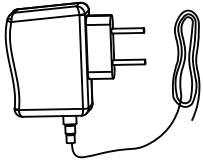
Remote control



1PC

P

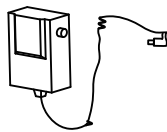
Charger



1PC

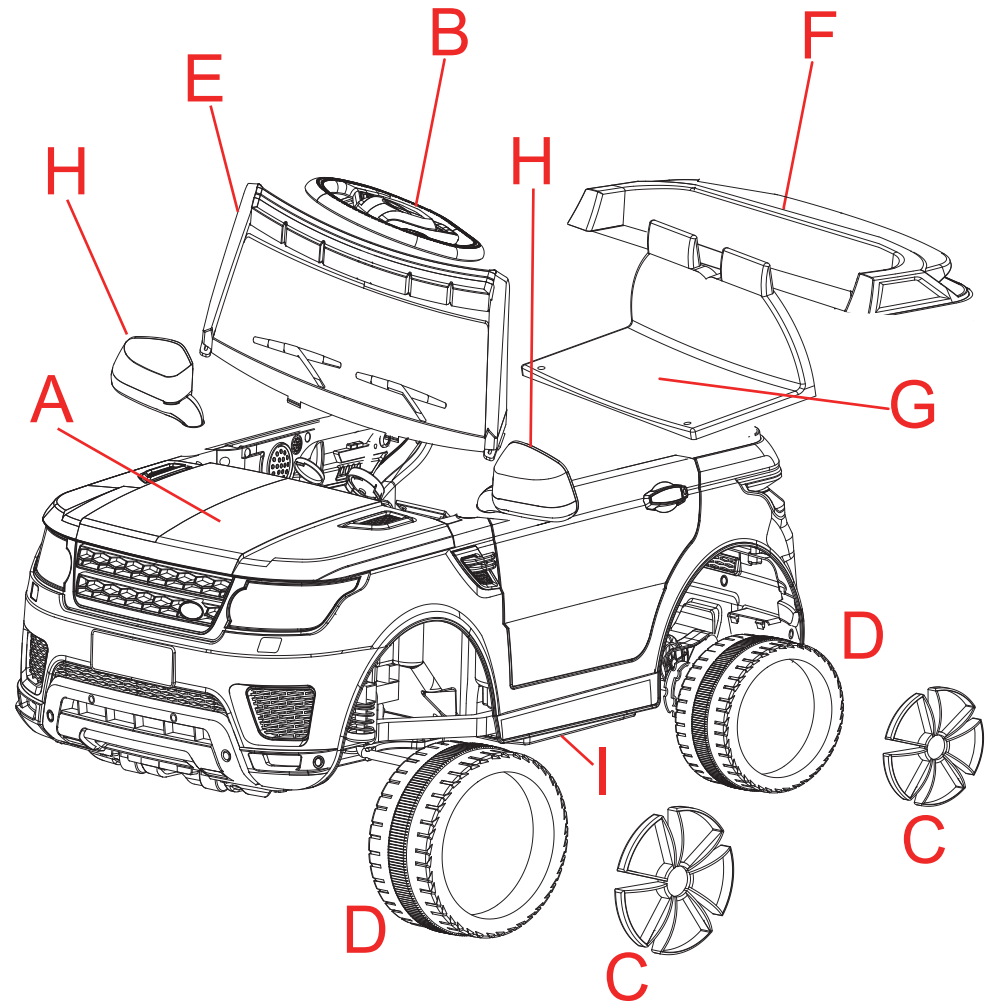
Q

Intercom



1PC

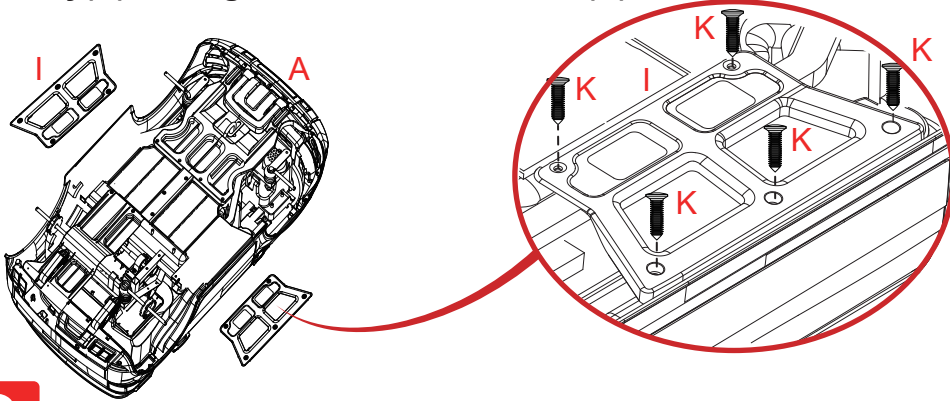
Product Figure



Assembly Steps

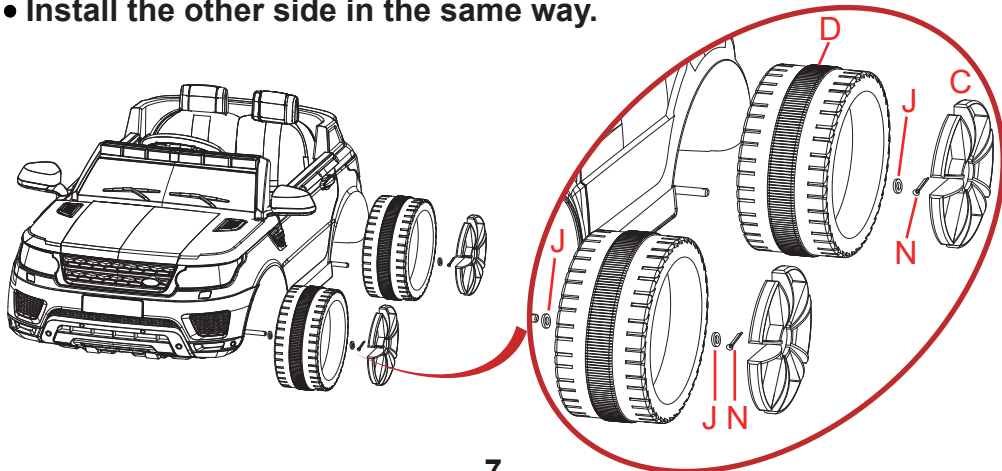
1 Right and Left Brackets Assembly

- Place the right and left brackets(I) at the corresponding holes on the body(A) and tighten them with screws(K).



2 Front and Rear Wheels Assembly

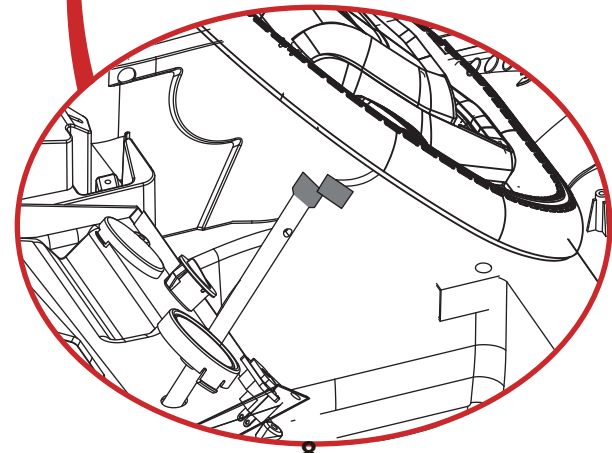
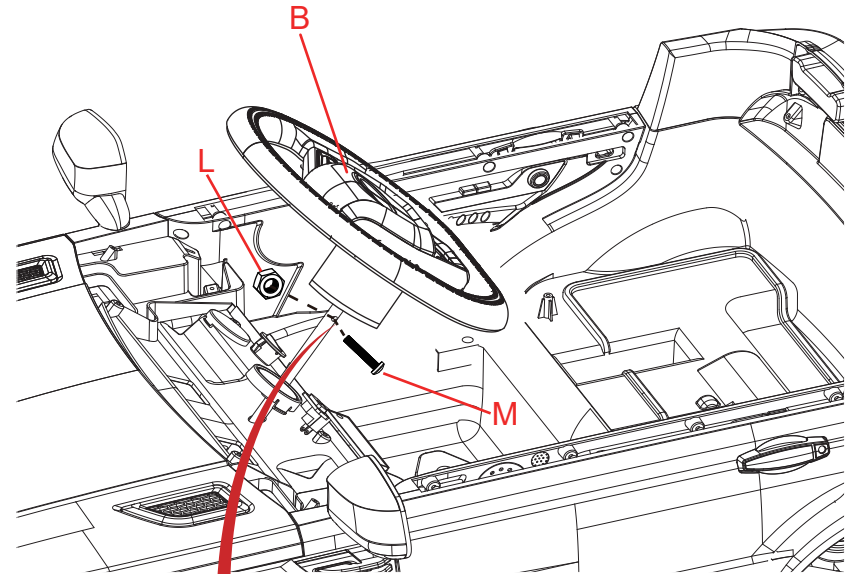
- Assemble a washer(J), the front wheel(D), and a washer(J) step by step(as shown), then use a cotter pin(N) to tighten, finally insert the wheel cover(C).
- Assemble the rear wheel(D) and a washer(J) step by step, then use a cotter pin(N) to tighten, finally insert the wheel cover(C).
- Install the other side in the same way.



Assembly Steps

3 Steering Wheel Assembly

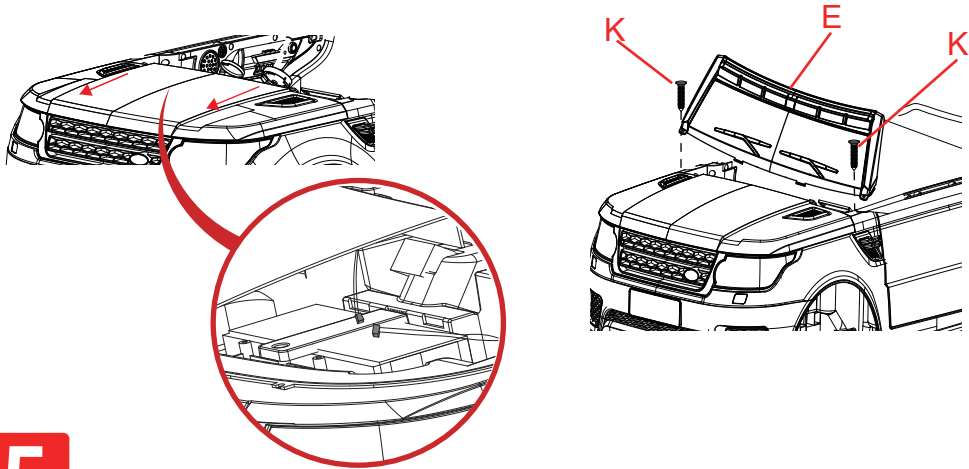
- Connect the two lines as shown in the picture, then insert the steering wheel(B) to the direction lever, finally tighten with the screw(M) and nut(L).



Assembly Steps

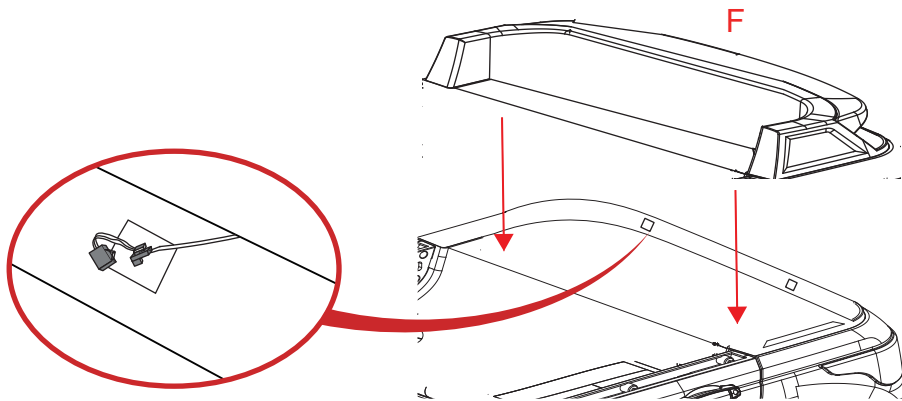
4 Windshield Assembly

- Open the hood, connect the lines which are in the windshield(E) and under the hood, insert the windshield(E) into the right place on the platform, finally tighten with the screw(K).



5 Rear Wing Assembly

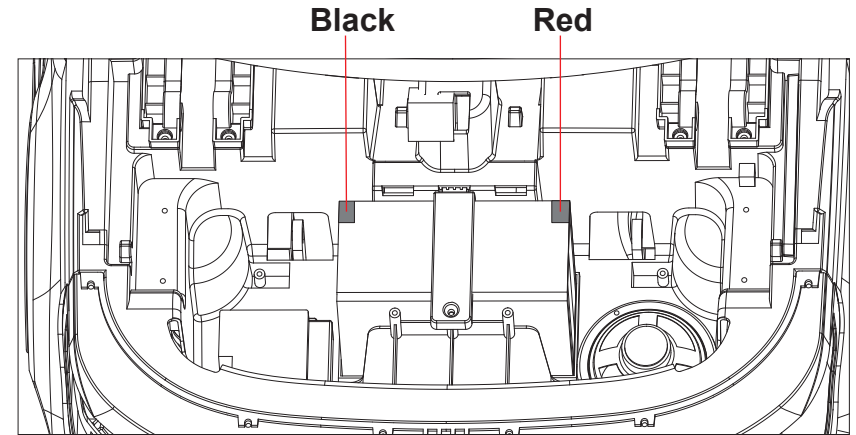
- Connect the lines which are in the rear wing(F) and car body(A), then insert the rear wing(F) into the right hole on the car.



Assembly Steps

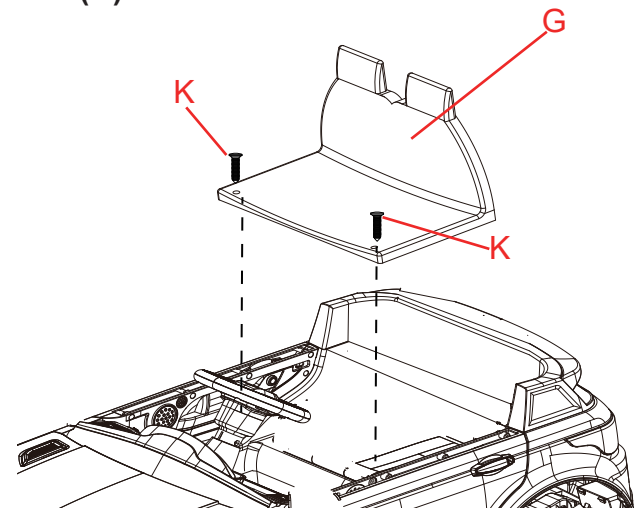
6 Battery Line Connection

- Connect the battery line correctly, red to red, black to black.



7 Seat Assembly

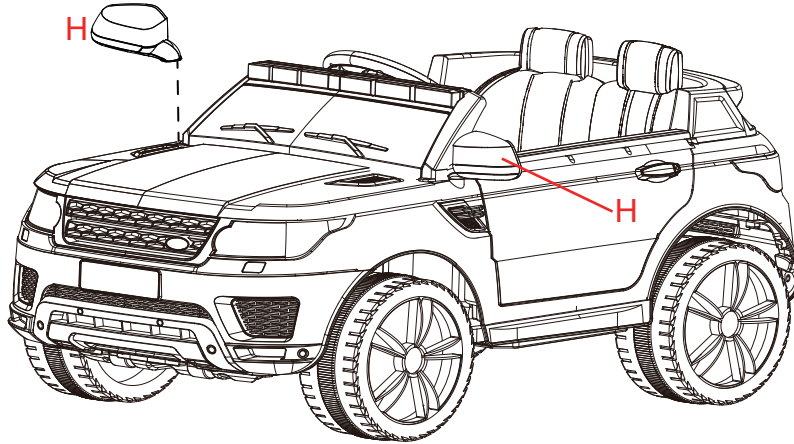
- Insert the seat(G) into the right place in the car, then tighten with screws(K).



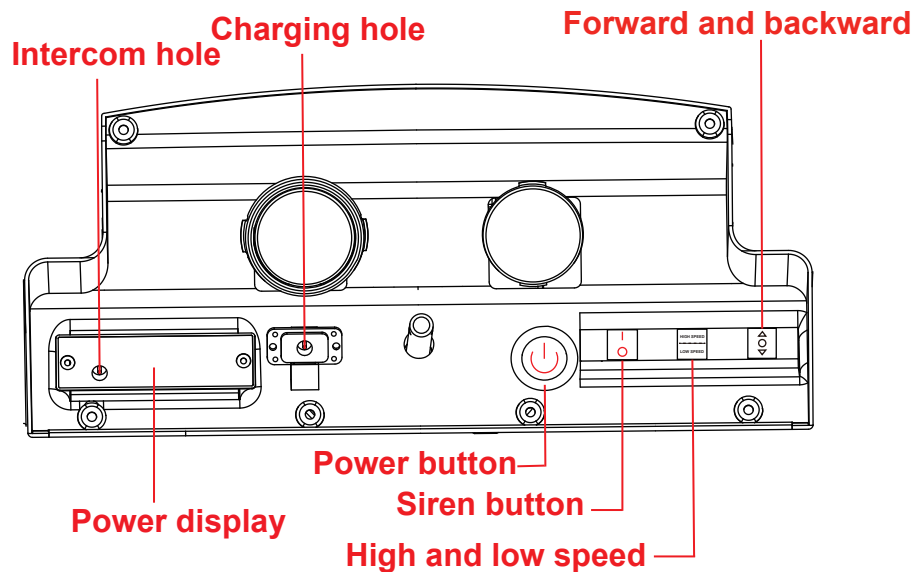
Assembly Steps

8 Rearview Mirror Assembly

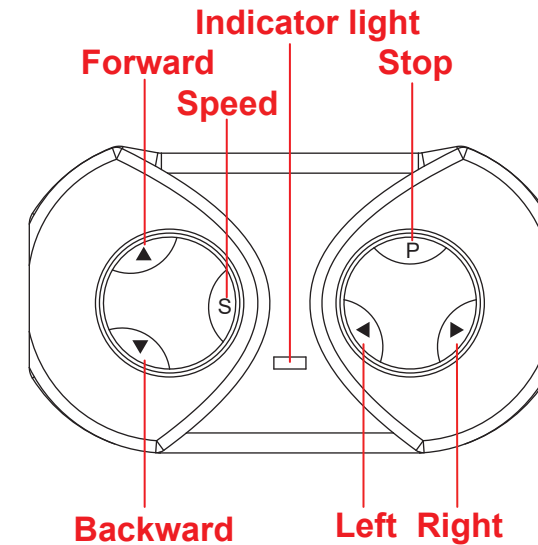
- Insert the right and left rearview mirrors(H) into the corresponding holes as shown.



Function Diagram and Operation Method



Function Diagram and Operation Method



- Insert 2 AAA batteries into the remote control.
- After 10 seconds of non-operation, the indicator light will turn off and the remote will go into power-saving mode.

Linking the remote control:

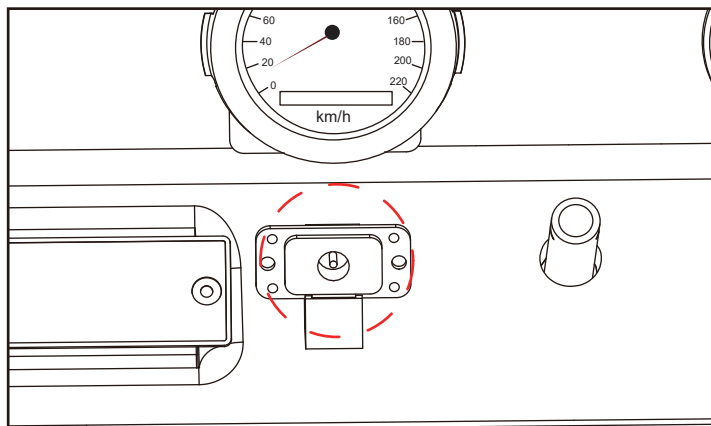
1. Press and hold the frequency key for 2 to 4 seconds. The low speed LED lights will flash.
2. Turn the vehicle on. The low speed LED lights will stop flashing and remain on to indicate a successful link.
3. If the low speed LED lights continue to flash (indicating an unsuccessful link), remove the battery on the remote and repeat steps 1 and 2.

Charge Mode

Step 1 : The charging hole is under the steering wheel.

Step 2 : Insert the charger plug into the plug hole.

Step 3 : Connect the charger to the power socket.



WARNING : Car must be charged by adults only. Don't use the car when charging.

For the first use, please charge for 12 hours, or the battery will be damaged.

Plug the charger DC line into the charge hole first, then plug the charger into the socket.

Don't play the car when it is charging.

Don't charge your car for more than 18 hours each time.

It is normal that the charger and battery get warm (under 60°C) during charging.

Do not charge if the plug is wet, or it will occur short-circuited.

Only use the charger provided by the manufacturer, or it will damage the charger and battery or occur short-circuited.

If you do not use the car for a long time, please charge it at least once a month.

Charge Mode

Check the battery, charger and other spare parts regularly. If any problem occurs, please fix it before playing.

- Use lubricating oil to care iron parts. Keep car away from fire and sunshine. Park it on even places.
- Park it indoor and cover it with a waterproof cloth.
- Keep the car away from fire, like stoves or heaters, or the plastic may melt.
- Keep away from flammable things, or it may occur fire accident.
- Charge it after use and it must be done by adults only. If you do not use the car for a long time, please charge it at least once a month to maintain the battery.
- Clean the vehicle with a dry cloth only. Do not use chemical solvent to wipe plastic parts. Do not wash it with water or play it when raining or snowing. Water will damage the motor, electric system or battery.
- Please turn off the power after each use.
- Only use the charger provided by the manufacturer.
- Do not change the structure or electric lines.
- The check job requires some skills or should be done under the guidance of experts.

Simple Trouble Shooting

Problem	Reason	Solution
Vehicle does not move	Low battery	Fully charge the battery
	Electrical protection	Stop use for several minutes and restart
	Switch not in the correct position	Completely press in switches
	Battery connectors disconnected	Plug in battery connectors
Battery does not recharge	Battery connectors disconnected	Plug in battery connectors
	Charger not connected to socket or outlet	Completely plug in the charger
Battery does not last	Battery does not have a full charge	Fully charge the battery
Battery is warm and makes a slight noise while charging	Normal	Normal
Slow speed	Low battery	Fully charge the battery
	Overloaded vehicle	Reduce the weight on the vehicle
	Uneven or sloped road	Drive on flat pavement
Vehicles shakes while driving	Loose connection to motor	Ensure the motor is properly connected to the battery
Vehicle is silent	Steering wheel is not properly connected	Properly connect the steering wheel connector

Disclaimer

- We will not take responsibility if you change the circuit, structure or function of the vehicle.
- The diagrams in this manual are for showing the operating method and the structure of the vehicle. If there are some differences between the pictures and the real vehicle, please refer to the real vehicle.
- In order to improve the quality, we may change some parts of the structure or its appearance without notice in advance, hope you understand and support.
- This manual is very important, please take care of it.