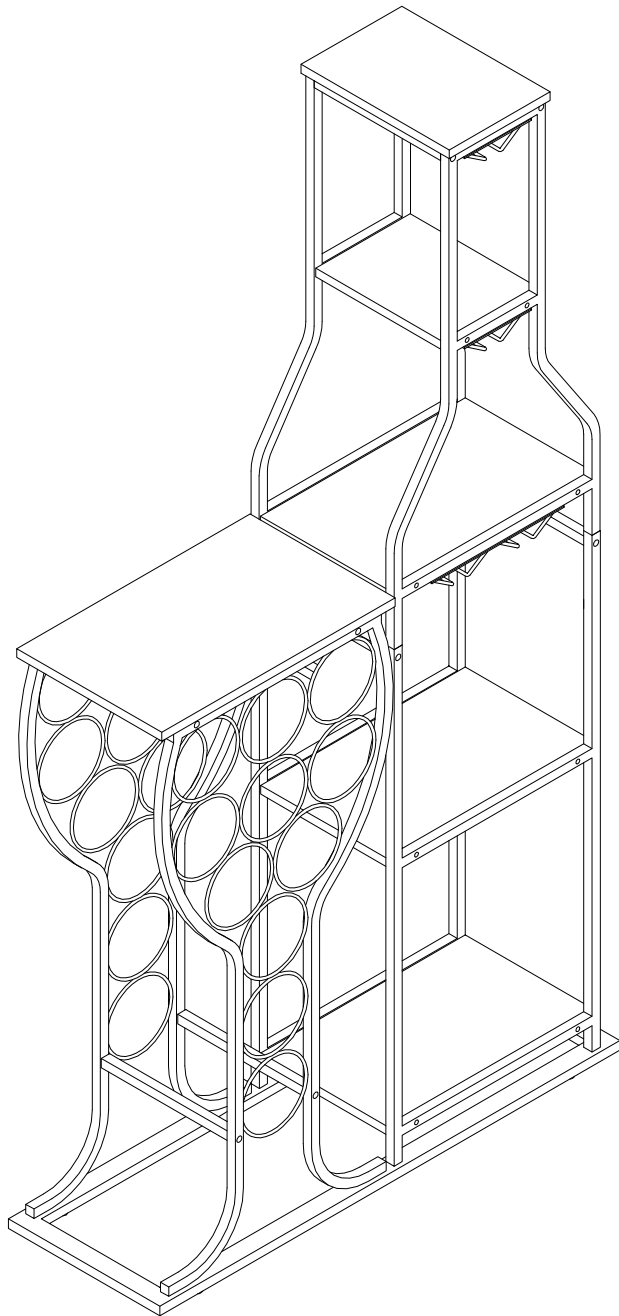

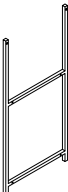

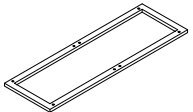
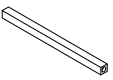
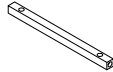
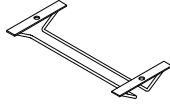
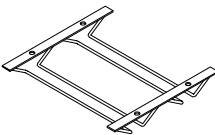
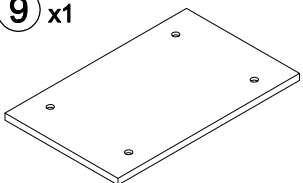
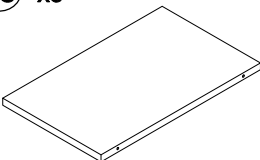
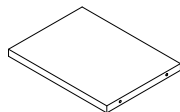
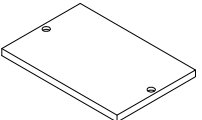


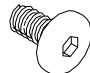
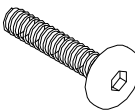
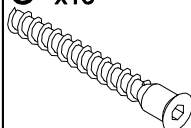
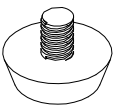
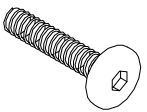
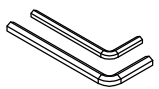
# ASSEMBLY INSTRUCTIONS



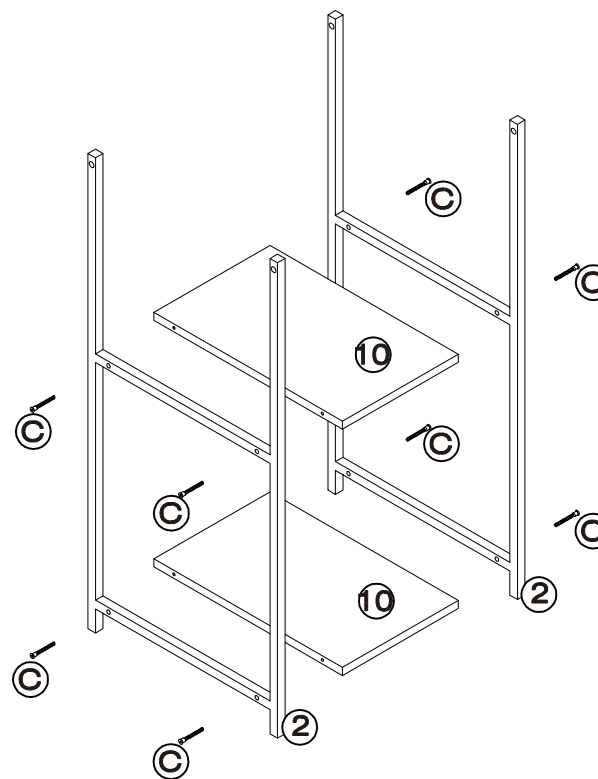
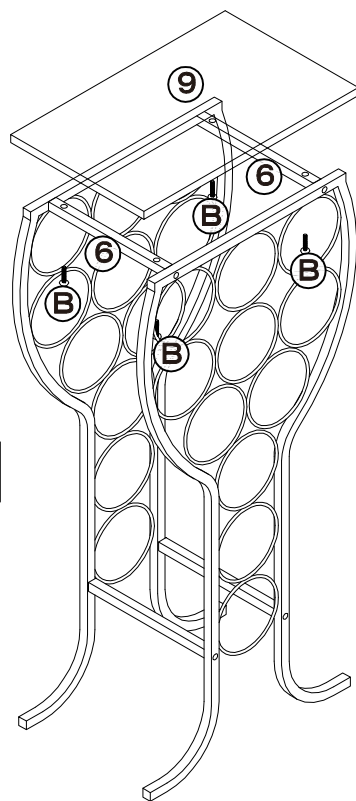
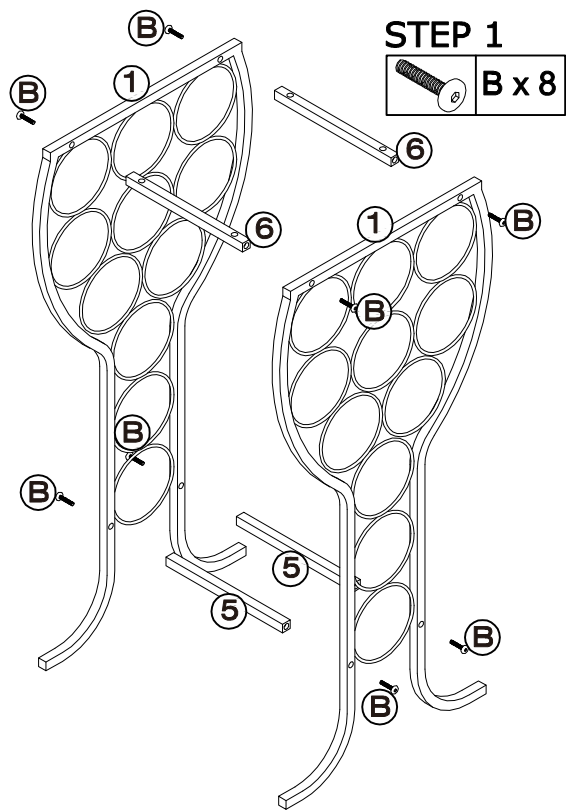
## PARTS LIST

① x2 	② x2 	③ x2 
④ x1 	⑤ x6 	⑥ x2 
⑦ x2 	⑧ x1 	⑨ x1 
⑩ x3 	⑪ x1 	⑫ x1 

## HARDWARE LIST

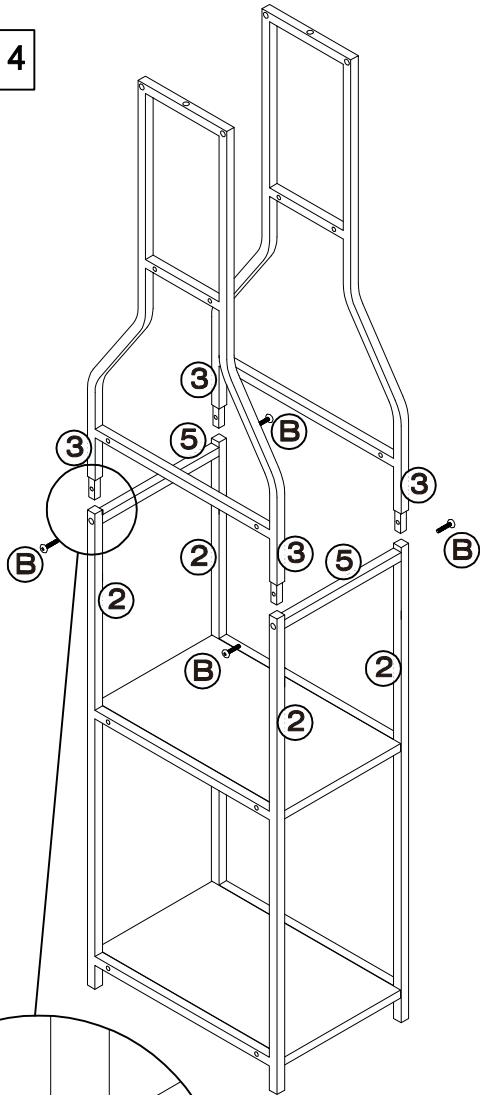
A x6 	B x30 	C x16 	D x4 	E x2 
1/4 X 1/2	1/4 X 7/8	5.0 X 40		1/4 X 1
F x1 				

# ASSEMBLY INSTRUCTIONS

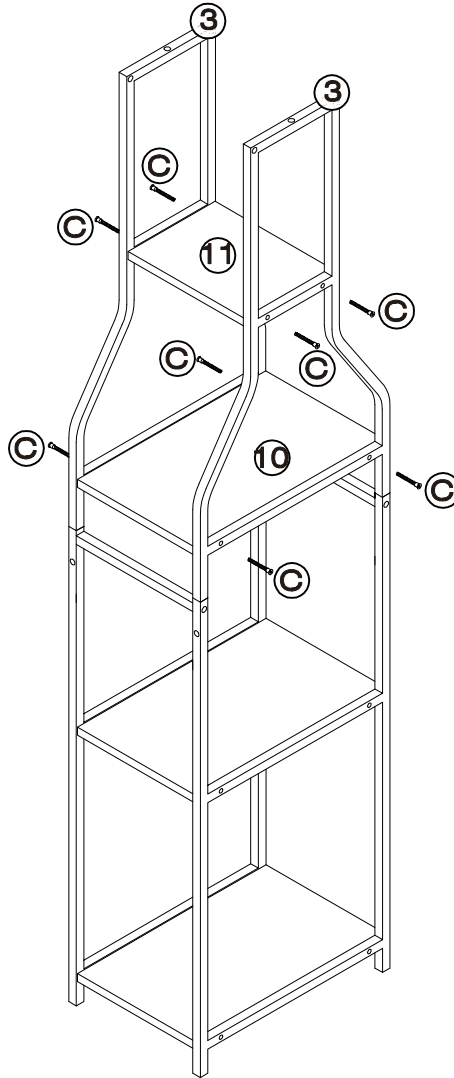
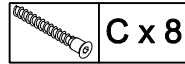


# ASSEMBLY INSTRUCTIONS

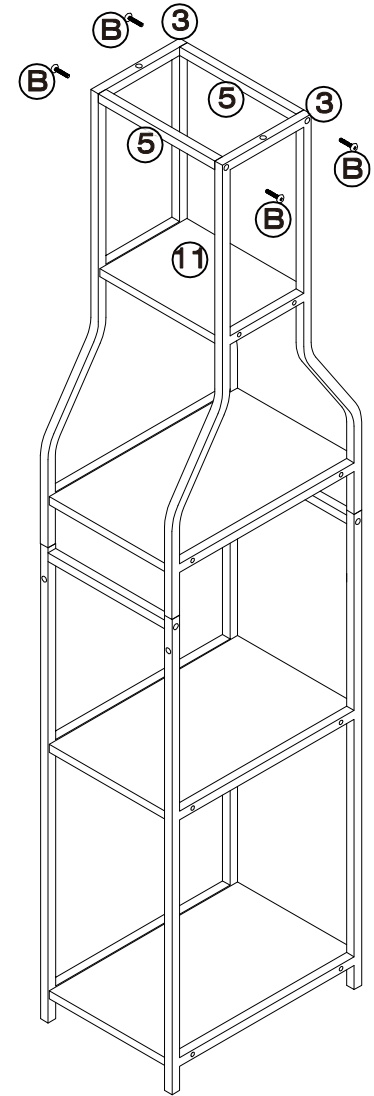
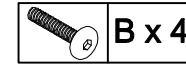
## STEP 4



## STEP 5

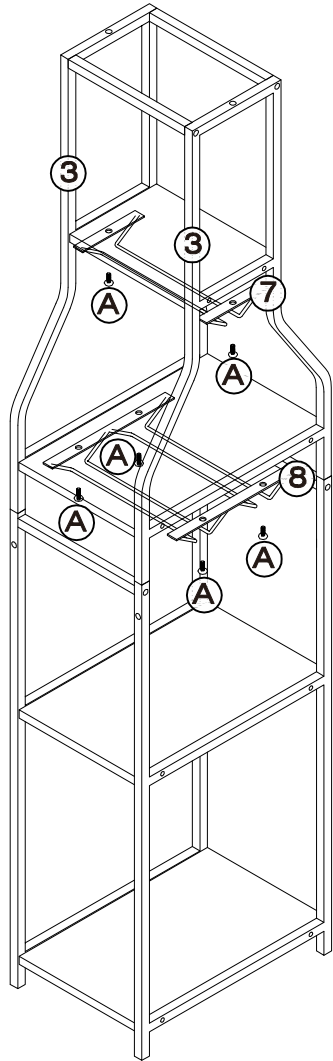
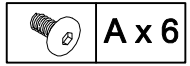


## STEP 6

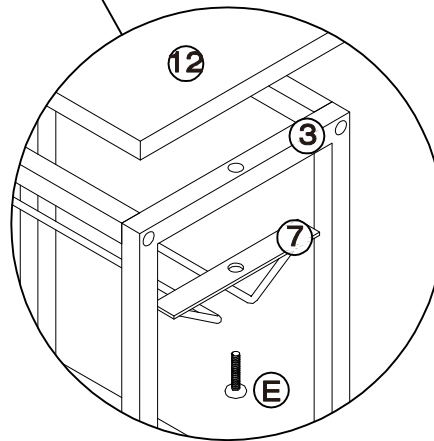
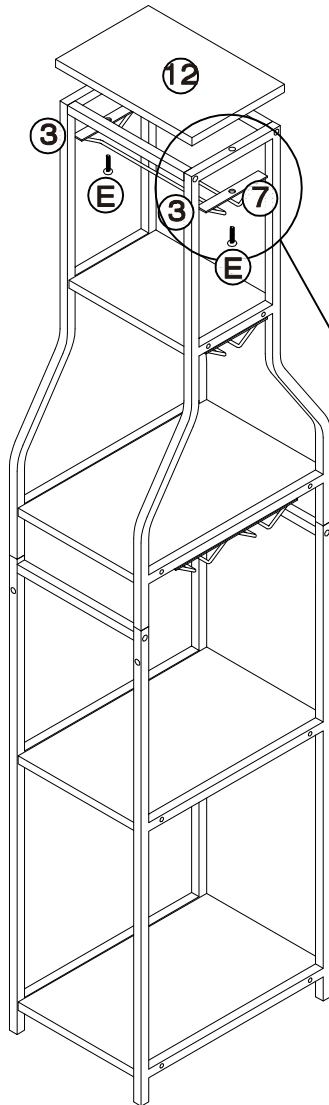


# ASSEMBLY INSTRUCTIONS

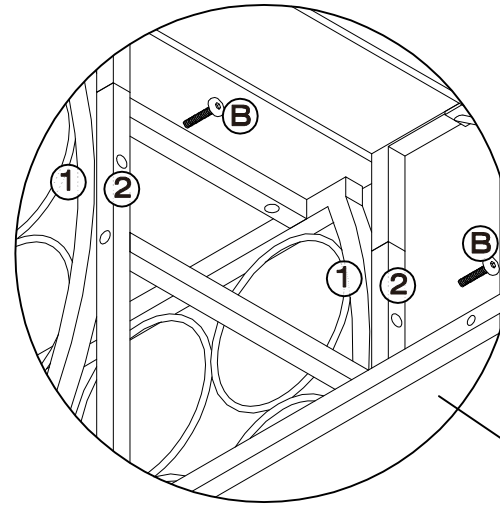
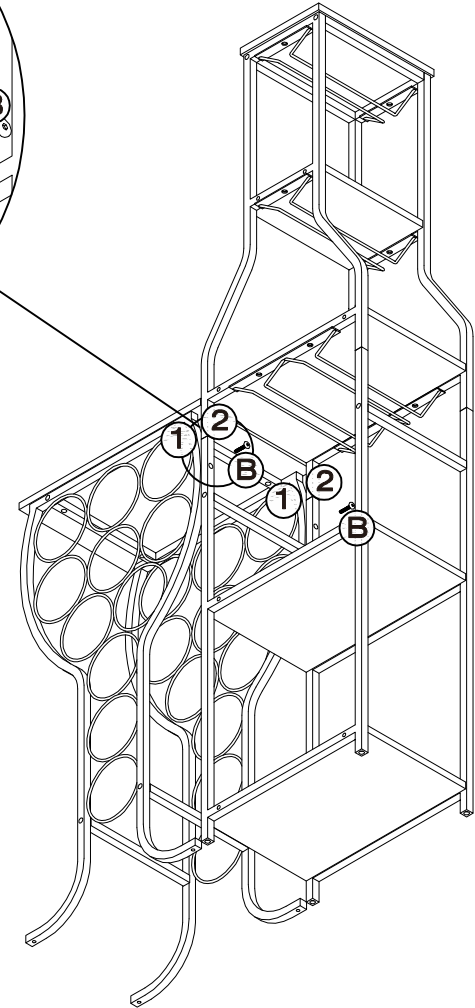
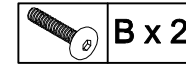
## STEP 7



## STEP 8

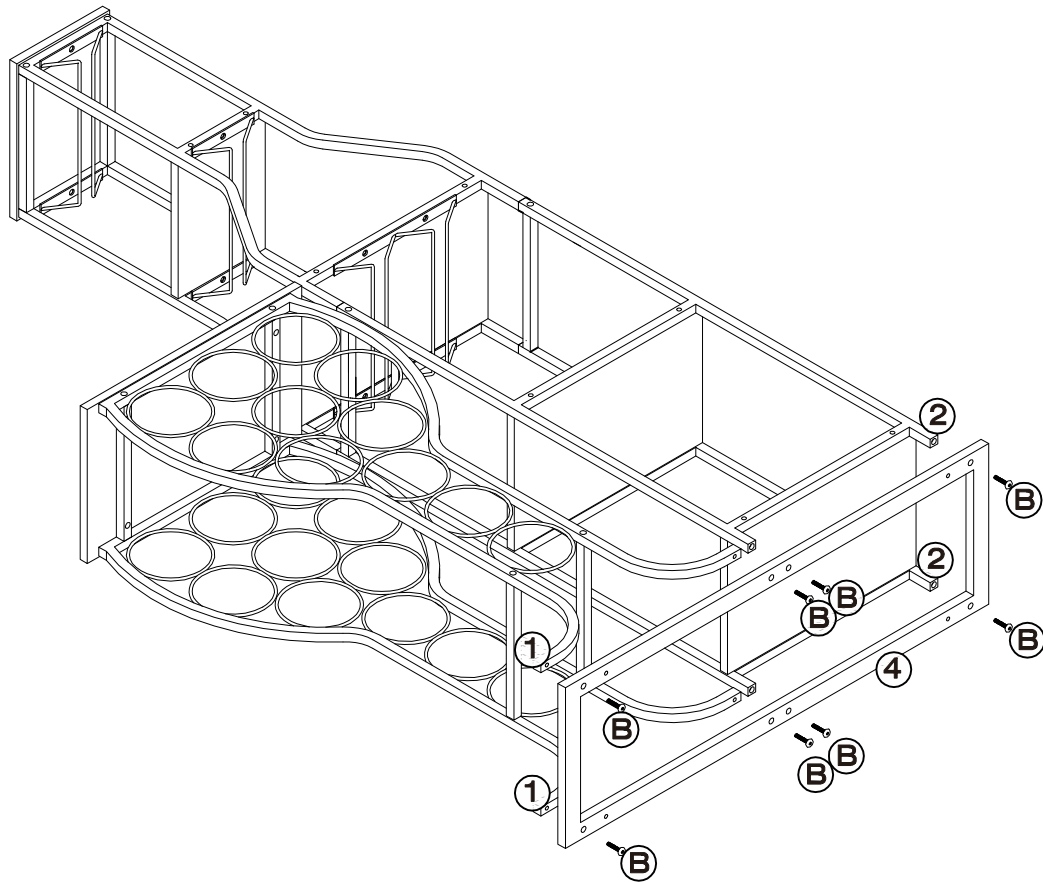


## STEP 9

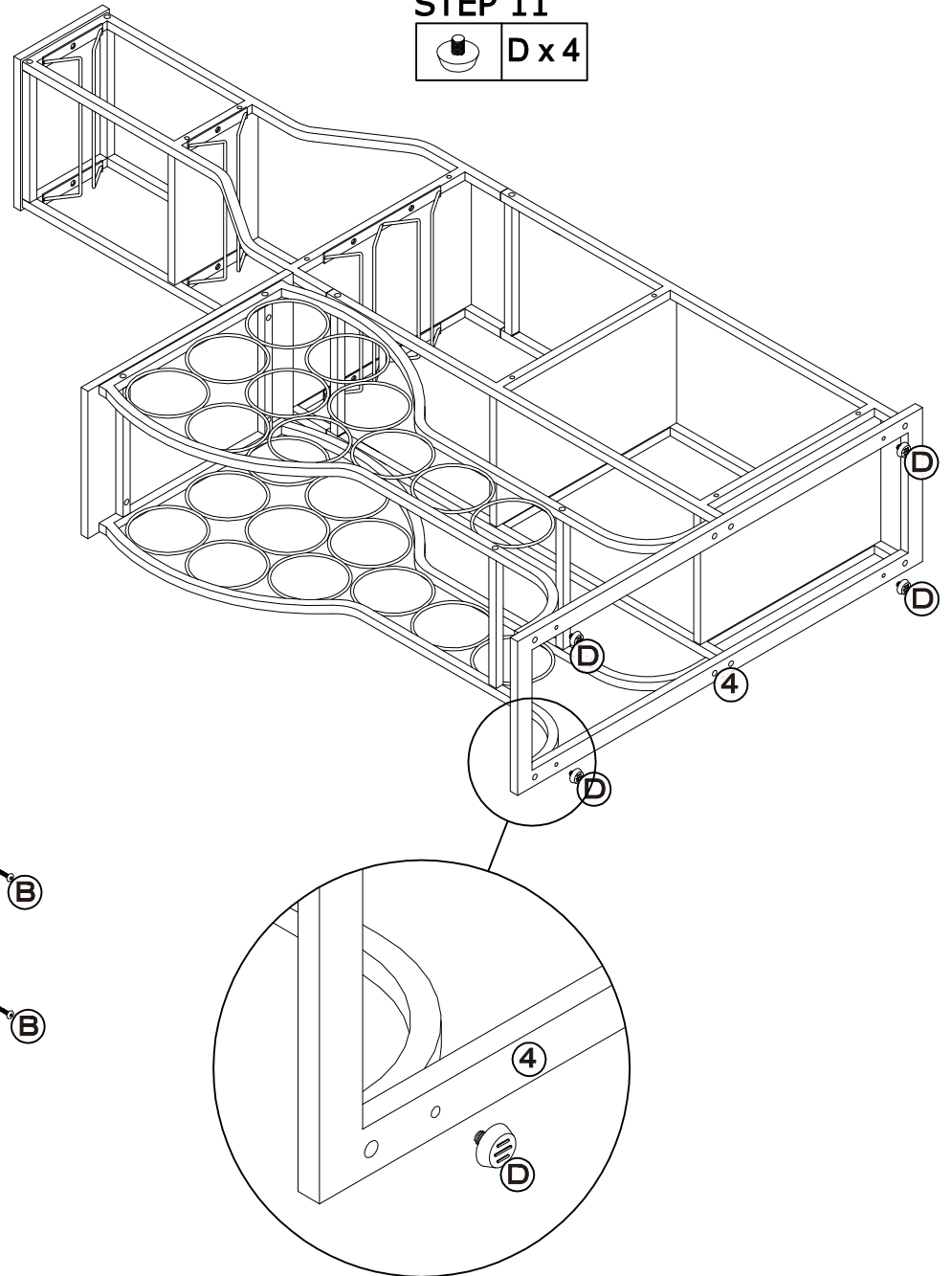


# ASSEMBLY INSTRUCTIONS

STEP 10



STEP 11



Check and tighten all screws