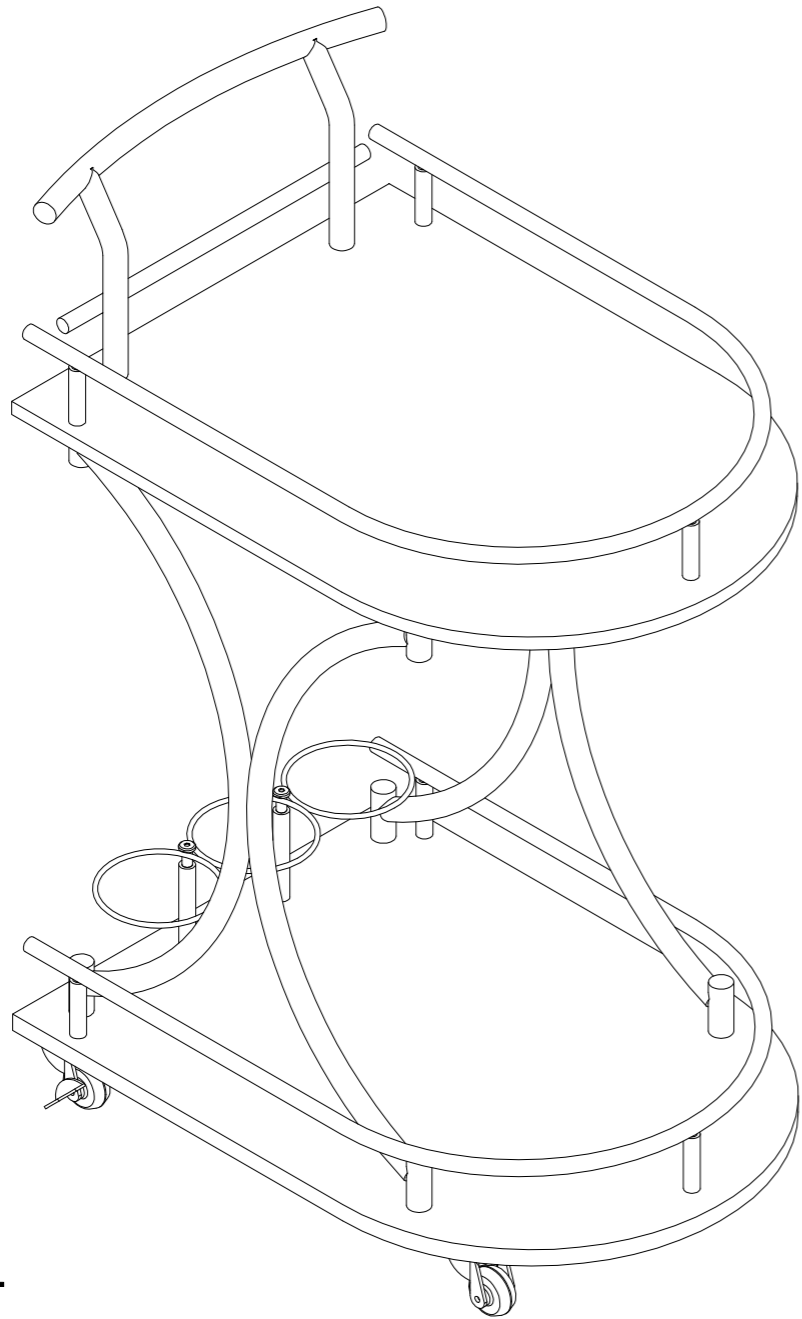


ASSEMBLY INSTRUCTIONS



PARTS LIST

1 x1 	2 x2 	3 x2
4 x1 	5 x6 	6 x2

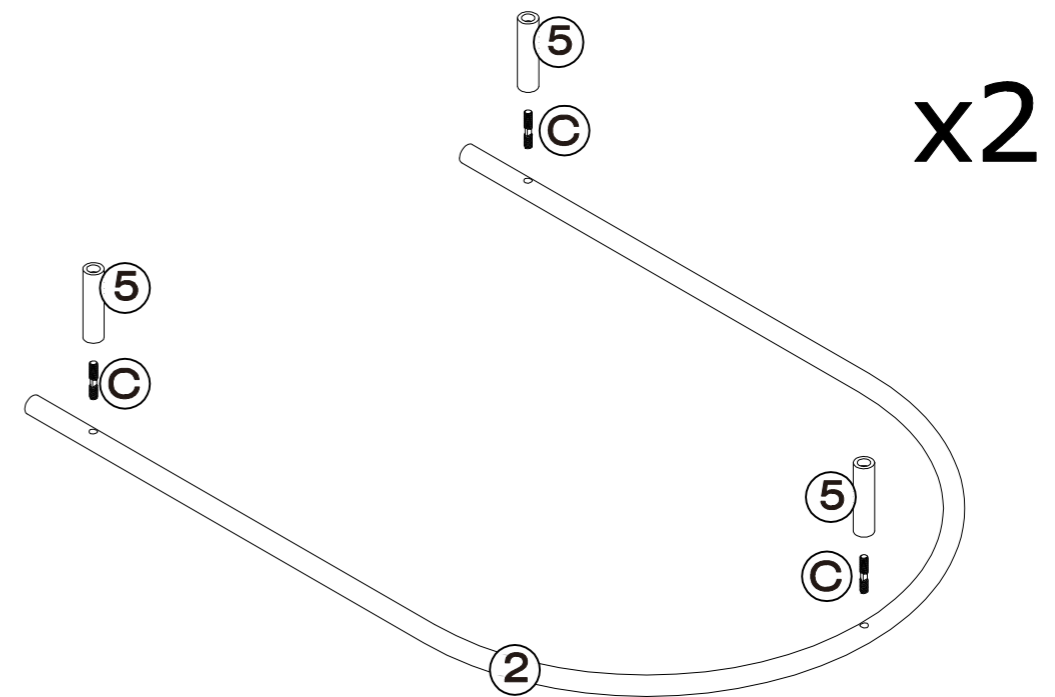
7 x1 	8 x1 	9 x1
-----------------	-----------------	-----------------

HARDWARE LIST

A x4 	B x18 	C x8 	D x16 	E x2
1/4 X 3/8	1/4 X 7/8	1/4 X 1	3.0 X 12	
F x6 	G x1 			

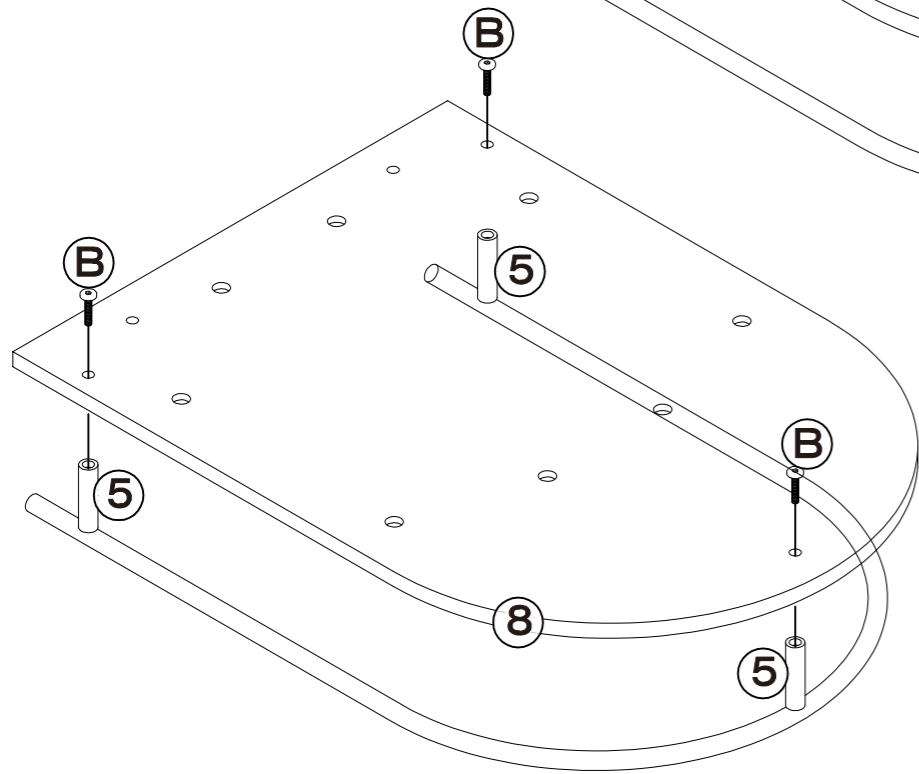
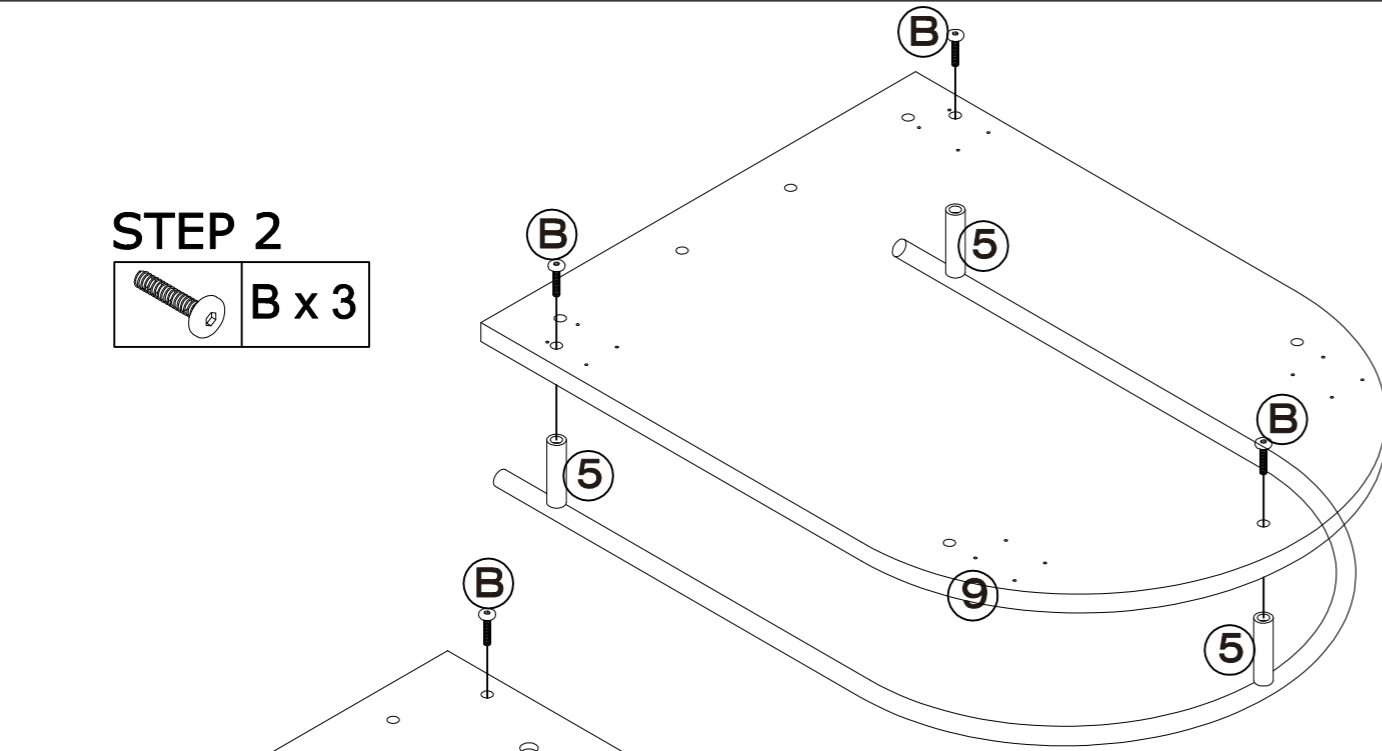
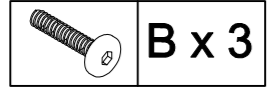
STEP 1

	C x 3
--	--------------

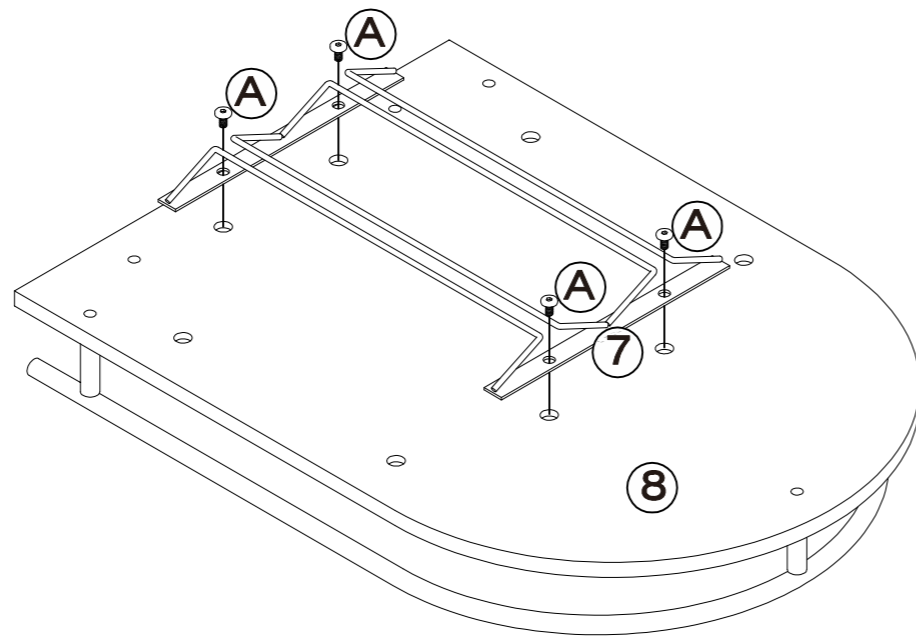
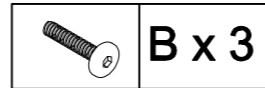


ASSEMBLY INSTRUCTIONS

STEP 2



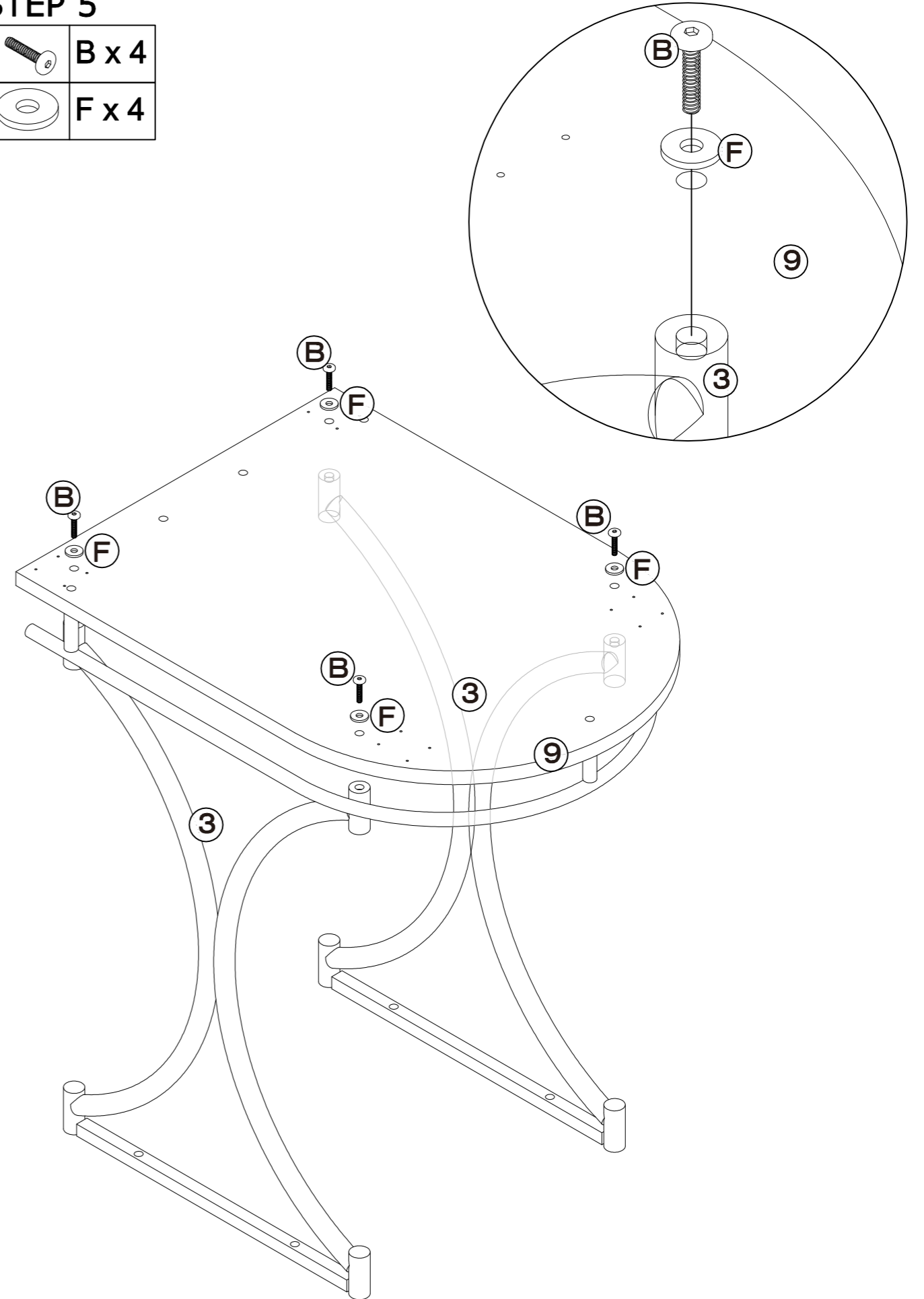
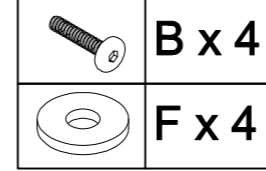
STEP 3



STEP 4

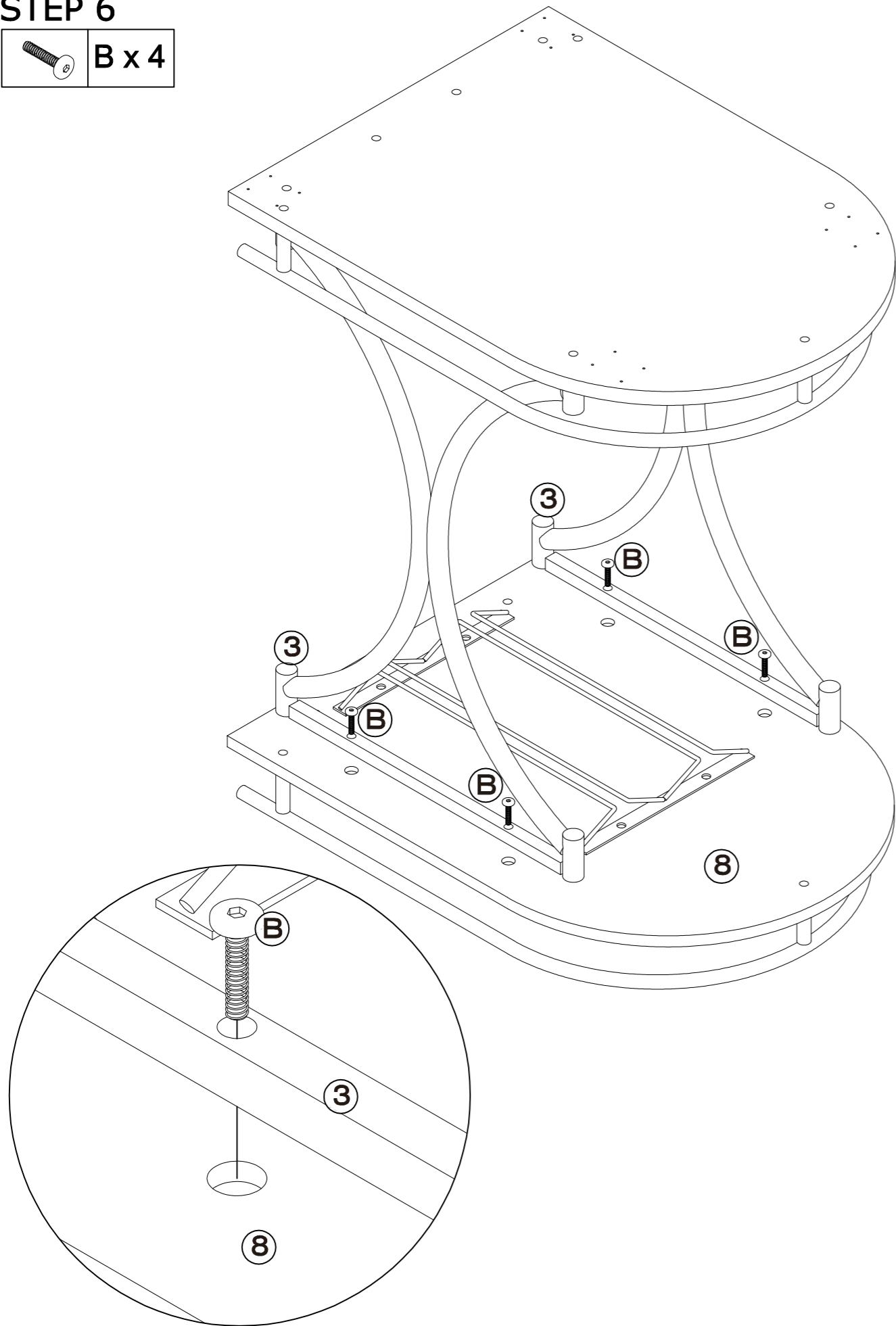
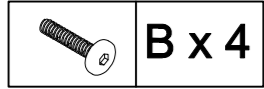


STEP 5

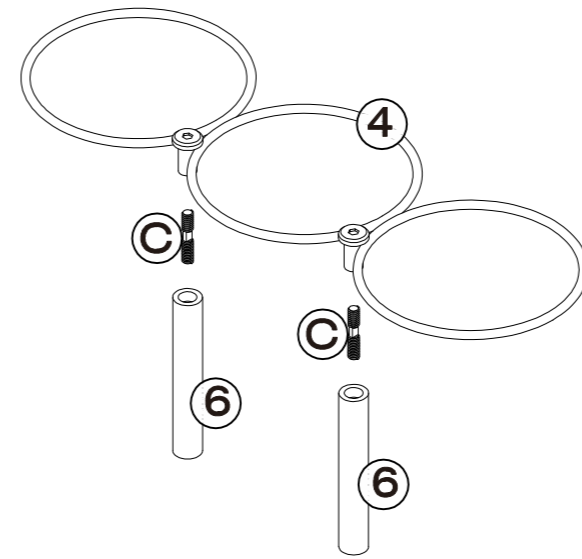
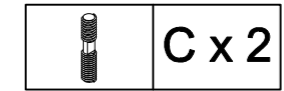


ASSEMBLY INSTRUCTIONS

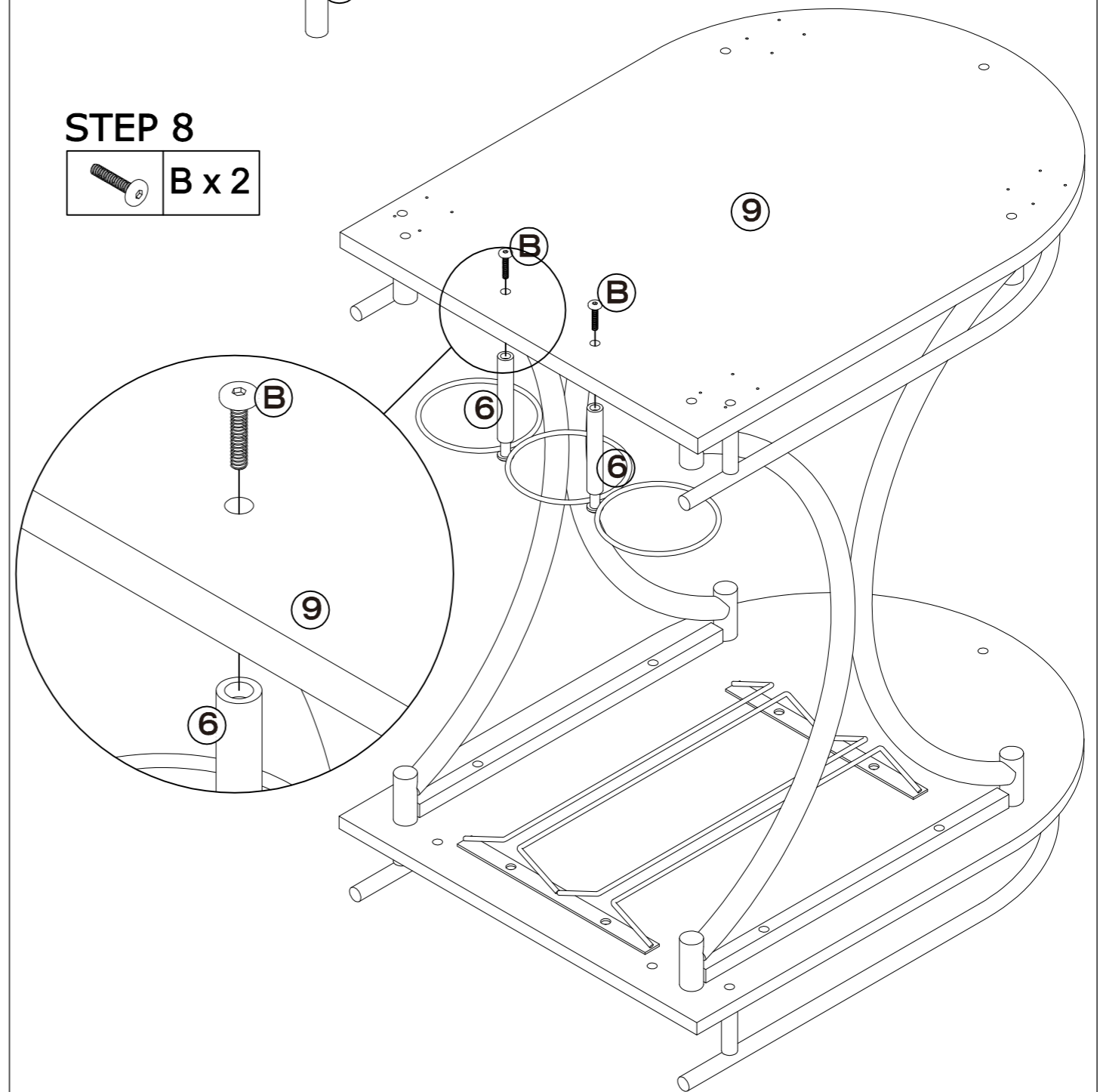
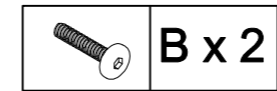
STEP 6



STEP 7





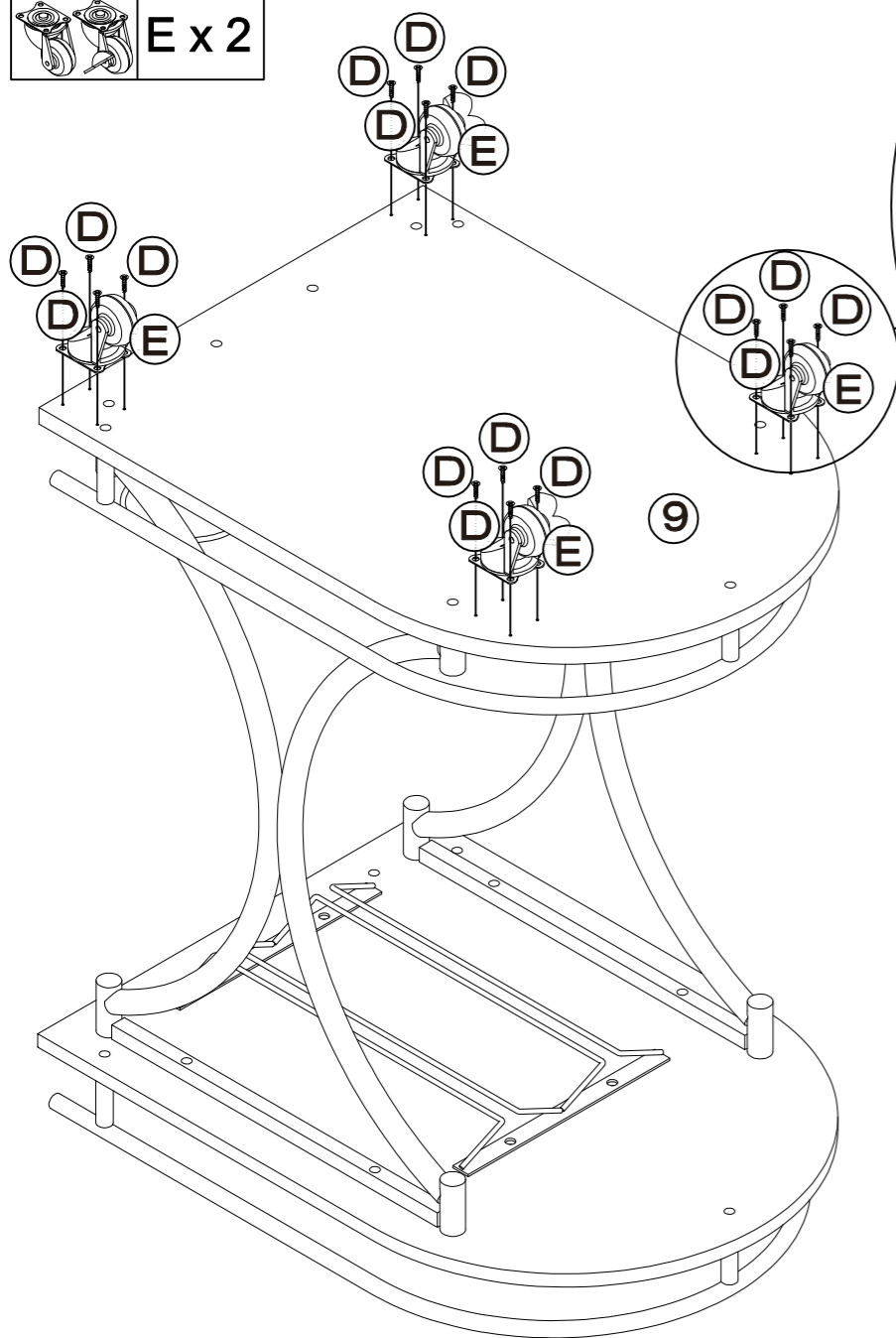
STEP 8



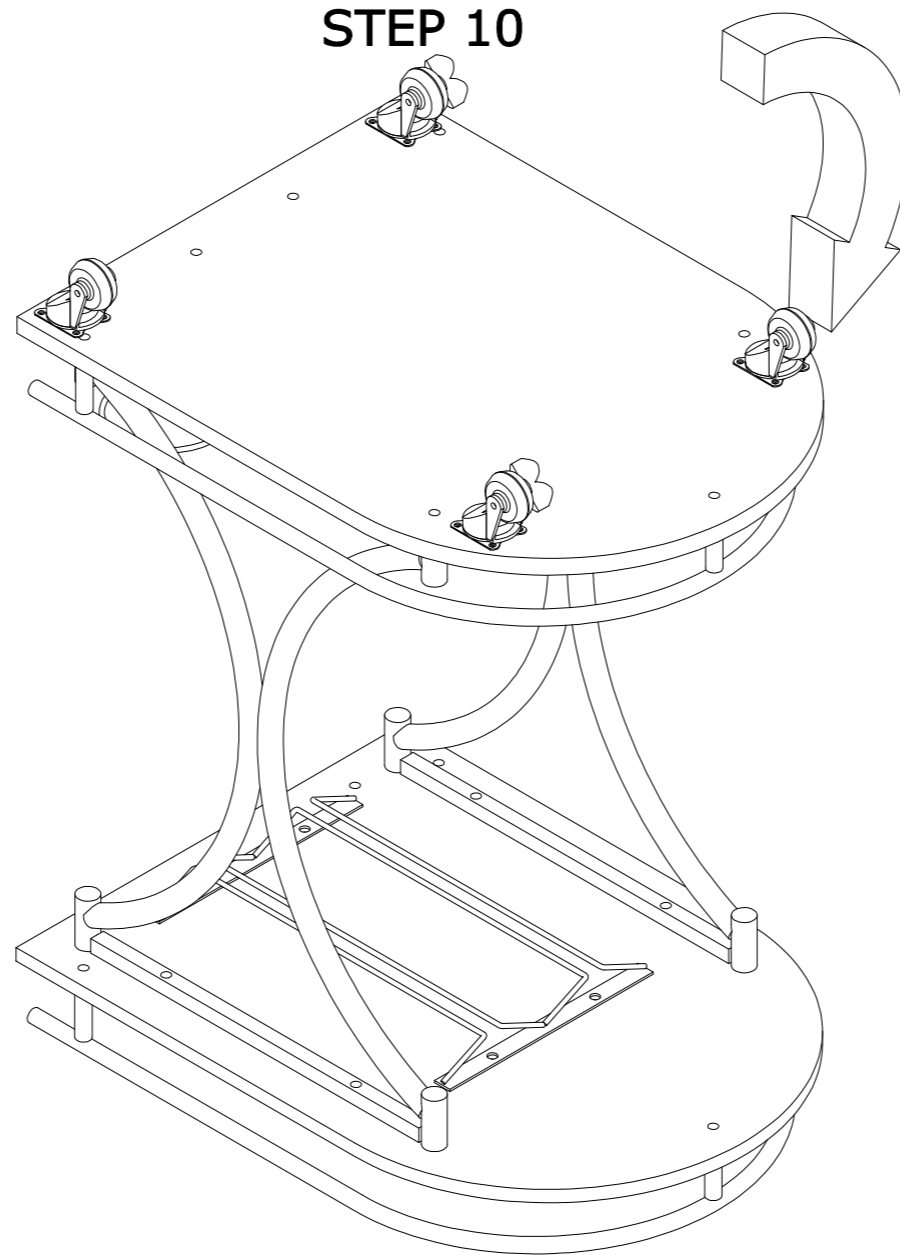
ASSEMBLY INSTRUCTIONS

STEP 9



	D x 16
	E x 2

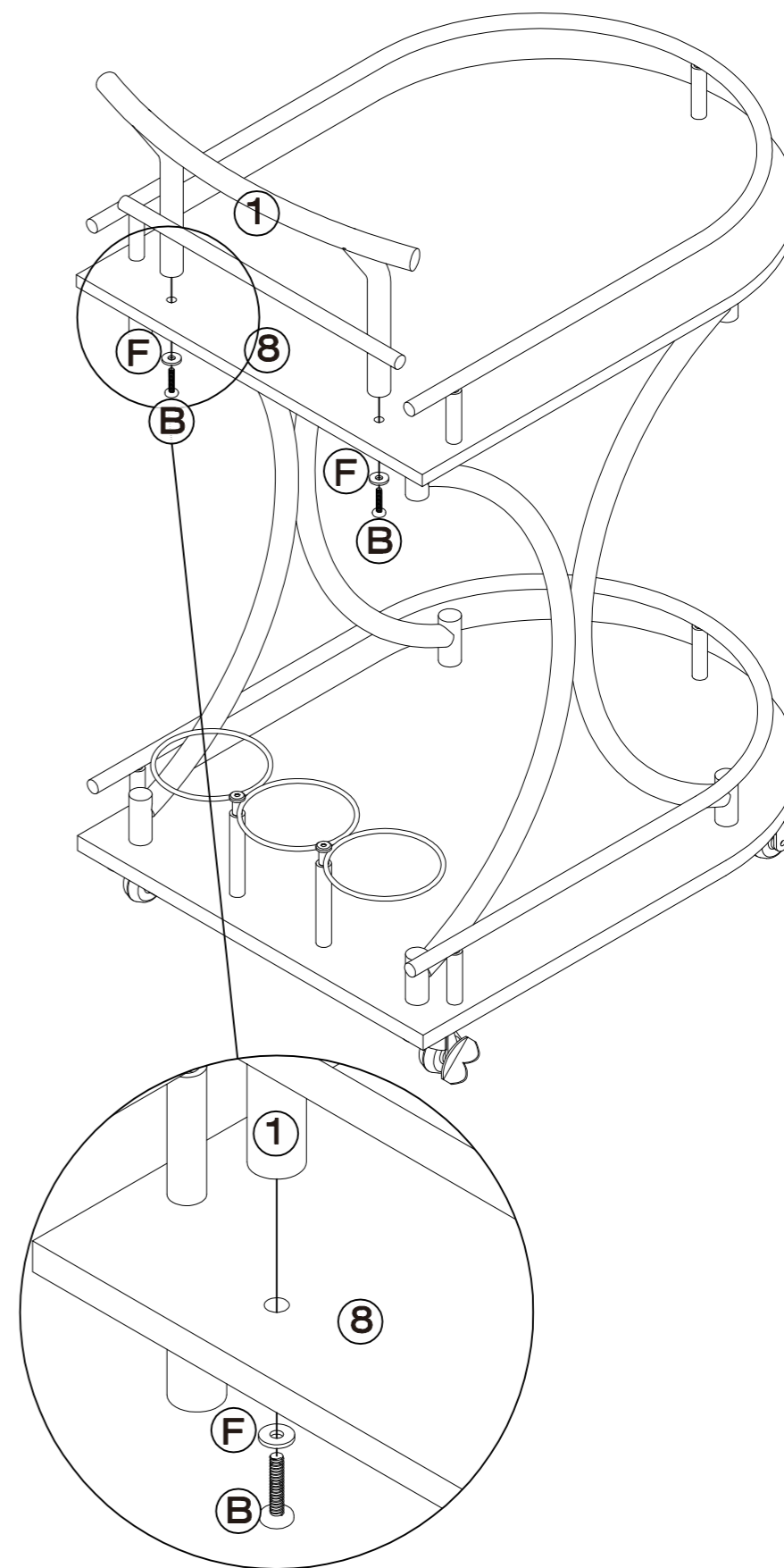


STEP 10



STEP 11

	B x 2
	F x 2



Check and tighten all screws