

# ASSEMBLY INSTRUCTION

---

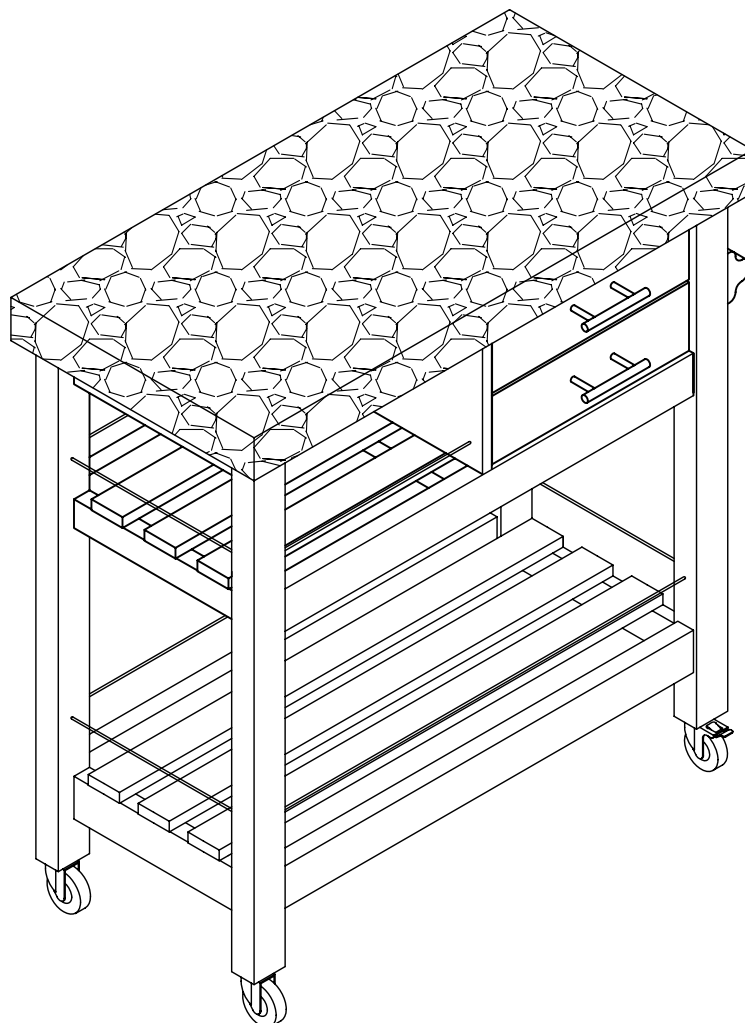
## **PLEASE READ BEFORE ASSEMBLING!**

Tip #1: Make sure you've taken all the pieces and hardware out of its packaging before discarding the box.

Tip #2: Using page 2 and/or page 3 of instruction manual make sure all pieces and hardware are accounted for.

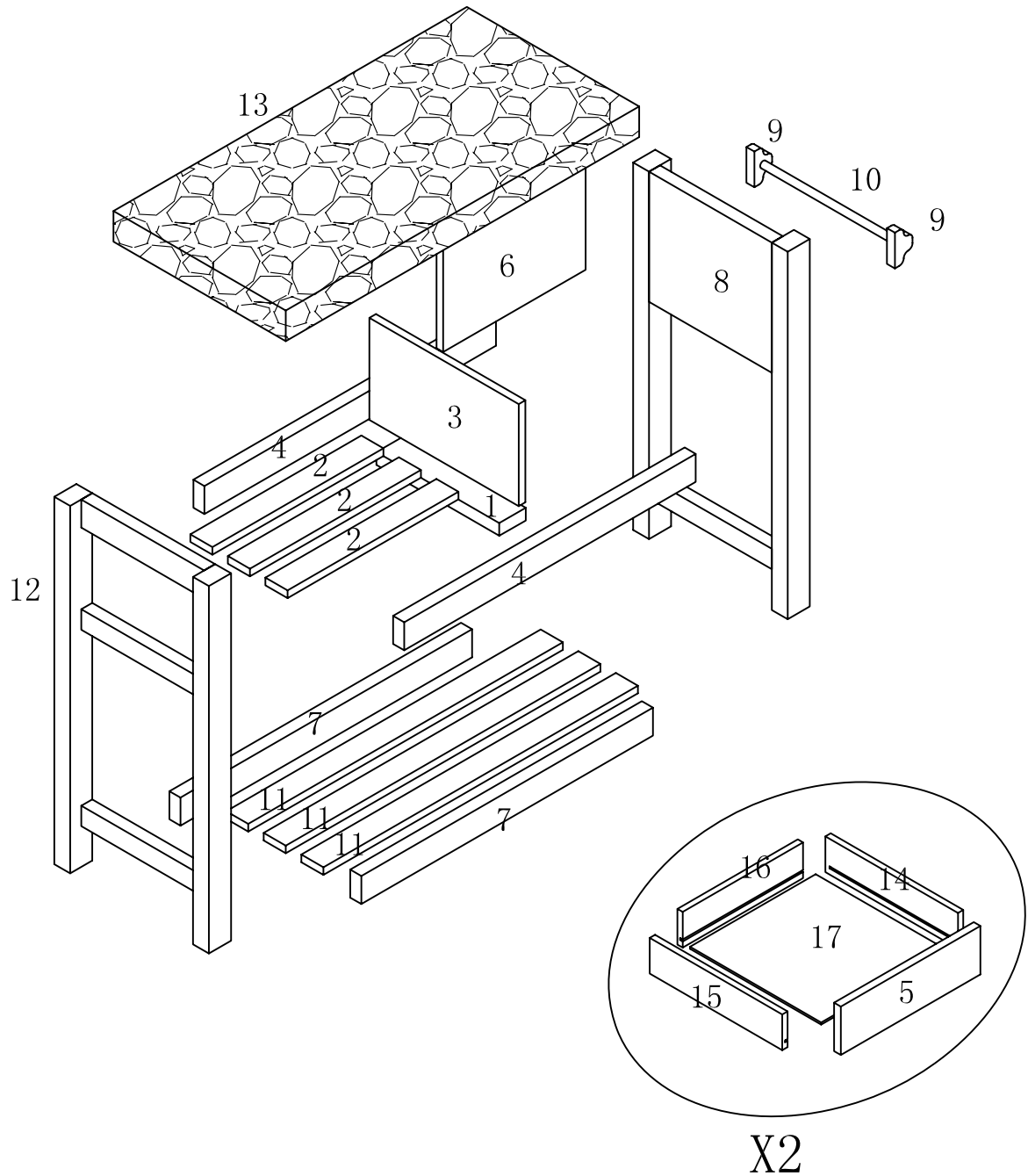
Tip #3: Read manual before assembling, it helps!

ITEM#: 11425



# PARTS IDENTIFICATION


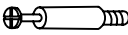







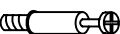
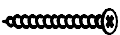



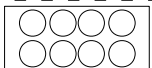




ITEM#: 11425



(1)	1pc	(6)	1pc	(11)	3pcs	(16)	2pcs
(2)	3pcs	(7)	2pcs	(12)	1pc	(17)	2pcs
(3)	1pc	(8)	1pc	(13)	1pc		
(4)	2pcs	(9)	2pcs	(14)	2pcs		
(5)	2pcs	(10)	1pc	(15)	2pcs		

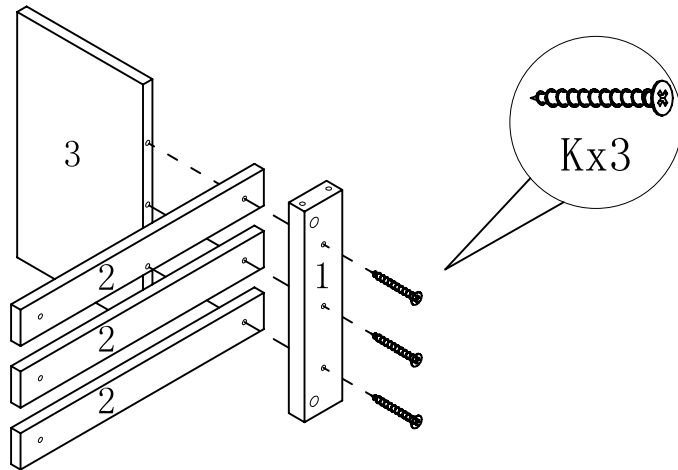
# HARDWARE IDENTIFICATION

ITEM#: 11425

A		∅15	20pcs
B		L29	20pcs
C		∅8×25	19pcs
D		∅6×50	9pcs
E		∅5×321	2pcs
F		∅5×658	2pcs
G		H=65	2pcs
H		H=65	2pcs
I		∅12	8pcs
J		L20	8pcs
K		∅4×50	7pcs
L		L64	2pcs
M		∅4×22	4pcs
N		∅4×30	8pcs
O		∅18	8pcs
P		M14	1pc
Q		∅4×16	16pcs
R		30×10×8	8pcs
S		Glue: For securing please apply to wood dowel first before inserting into panel	1pc

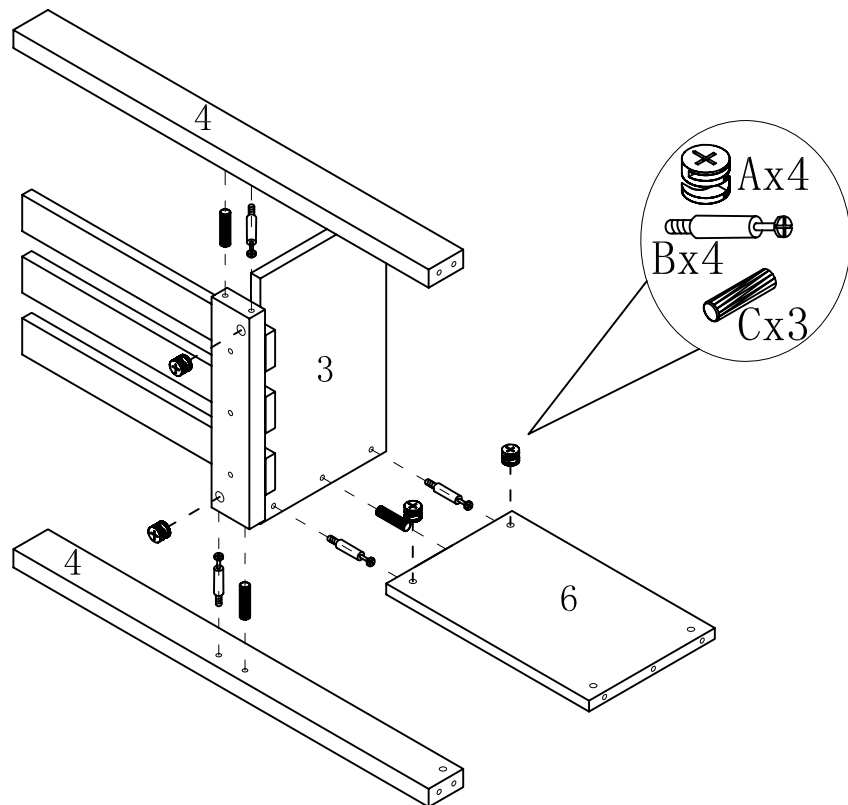
# ASSEMBLY INSTRUCTION

ITEM#: 11425



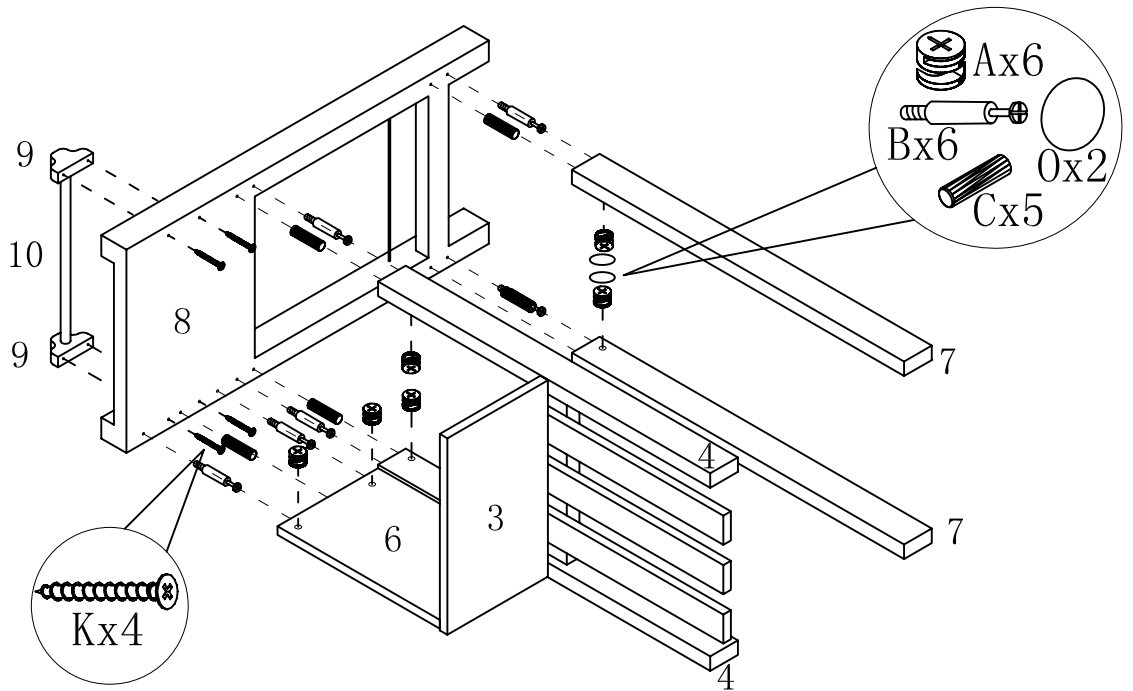
STEP 1

STEP 2

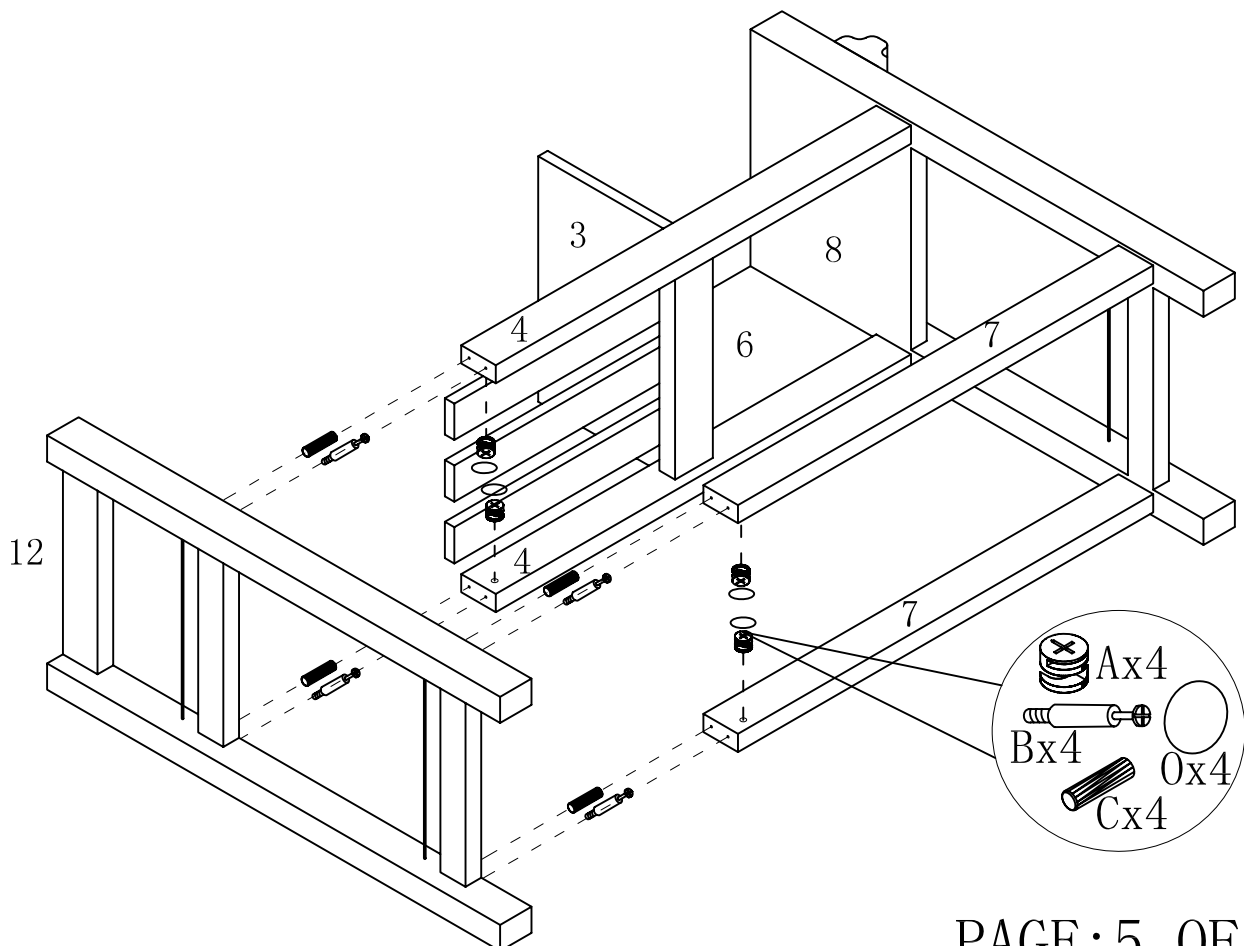


# ASSEMBLY INSTRUCTION

ITEM#: 11425

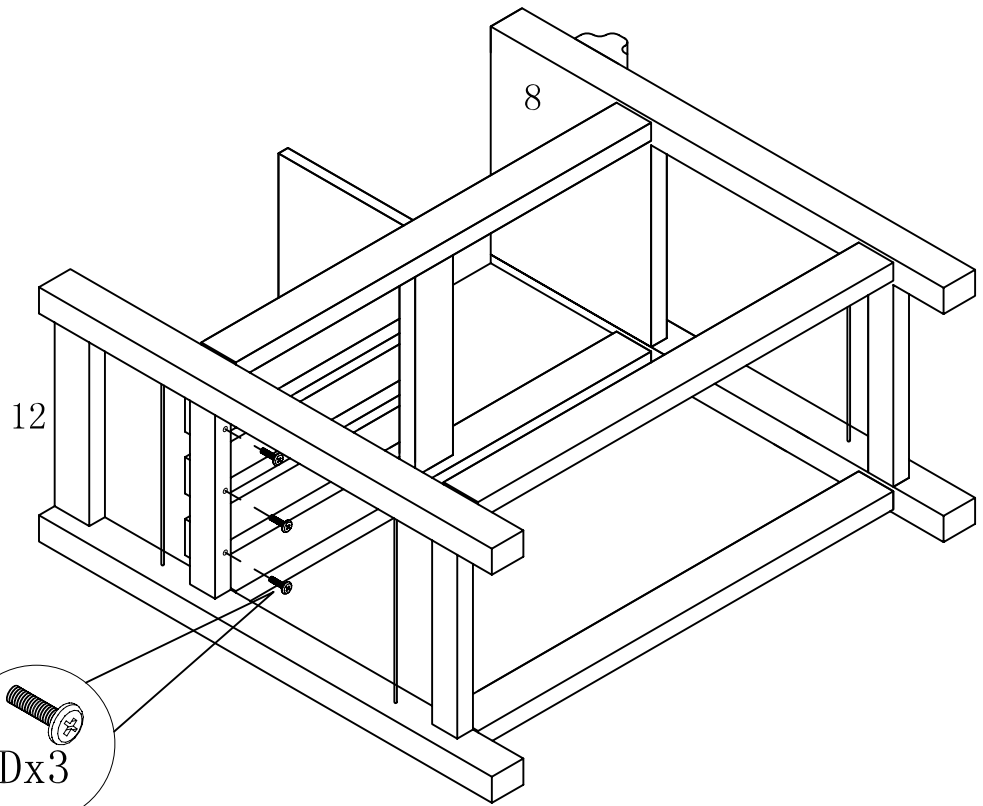


STEP 4



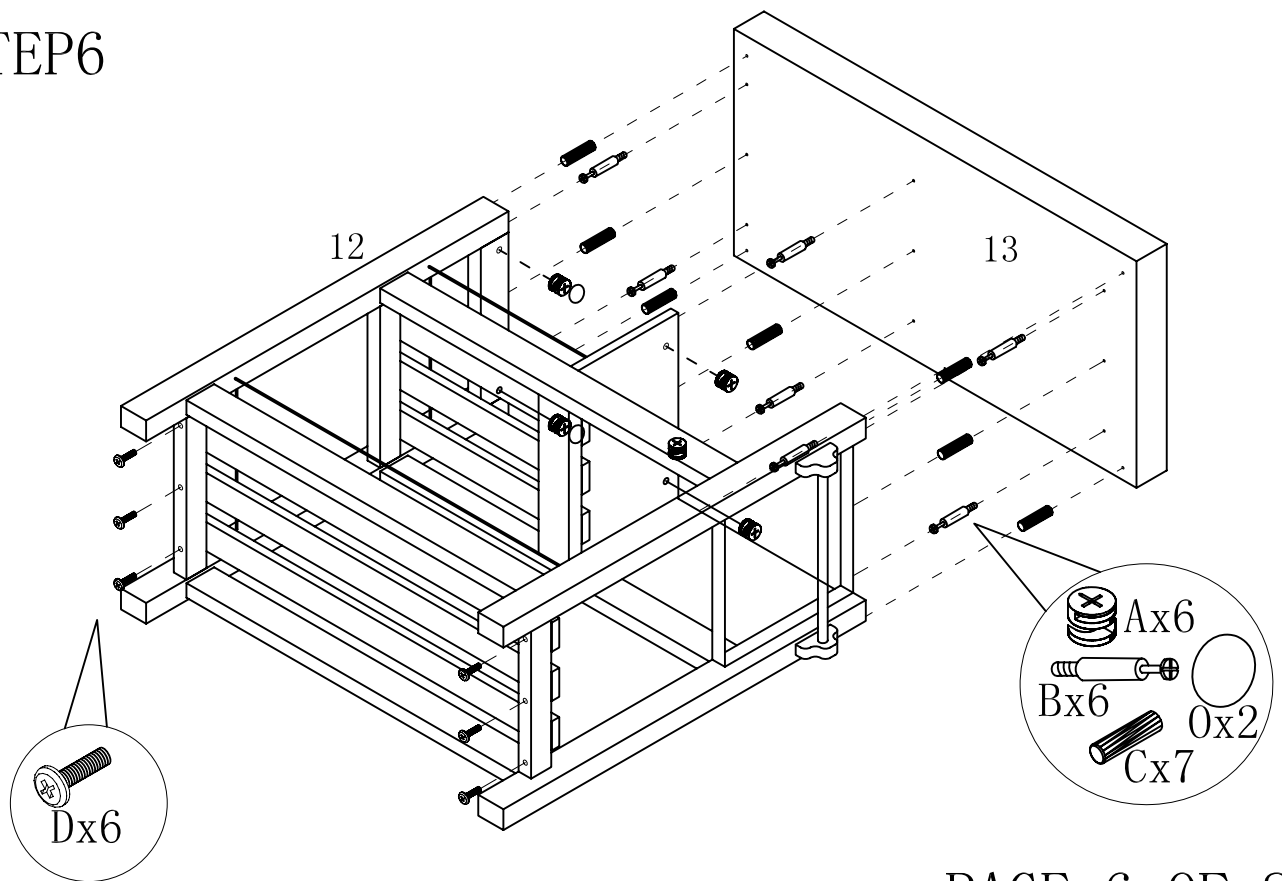
# ASSEMBLY INSTRUCTION

ITEM#: 11425



STEP5

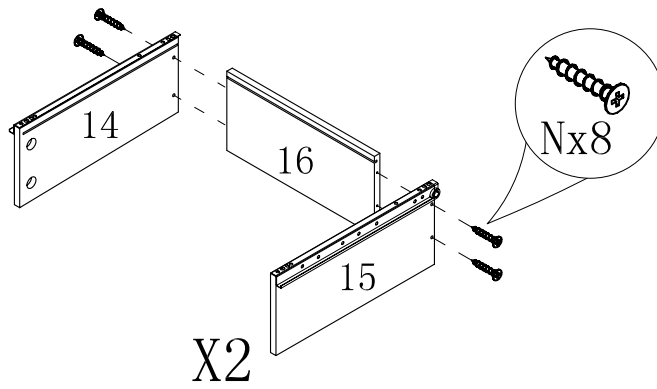
STEP6



PAGE: 6 OF 8

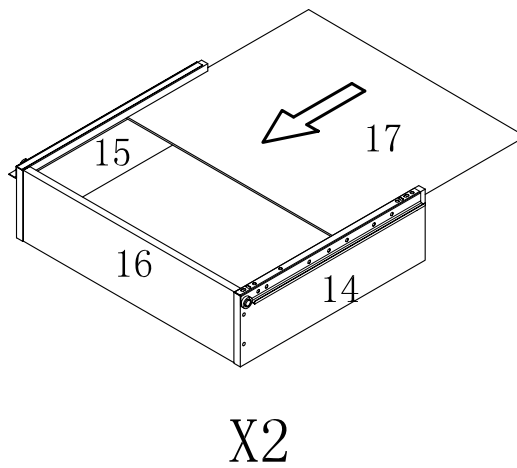
# ASSEMBLY INSTRUCTION

ITEM#: 11425

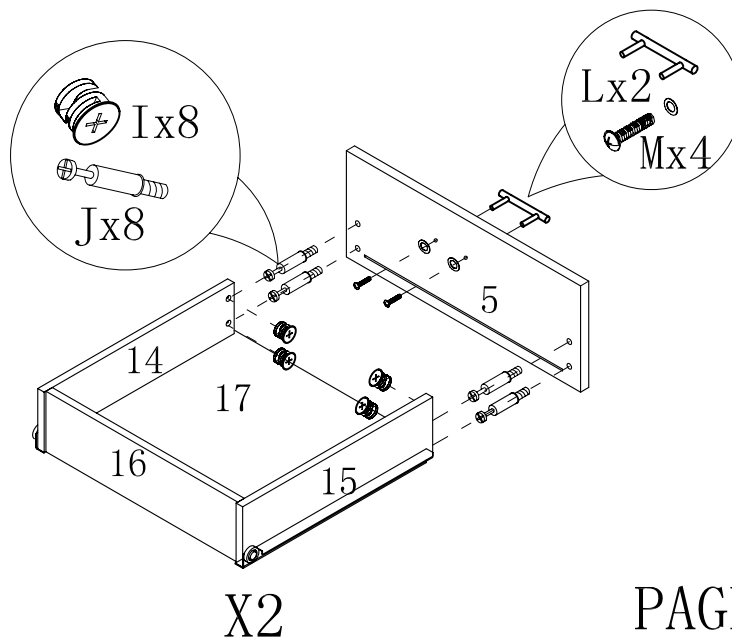


STEP7

STEP8

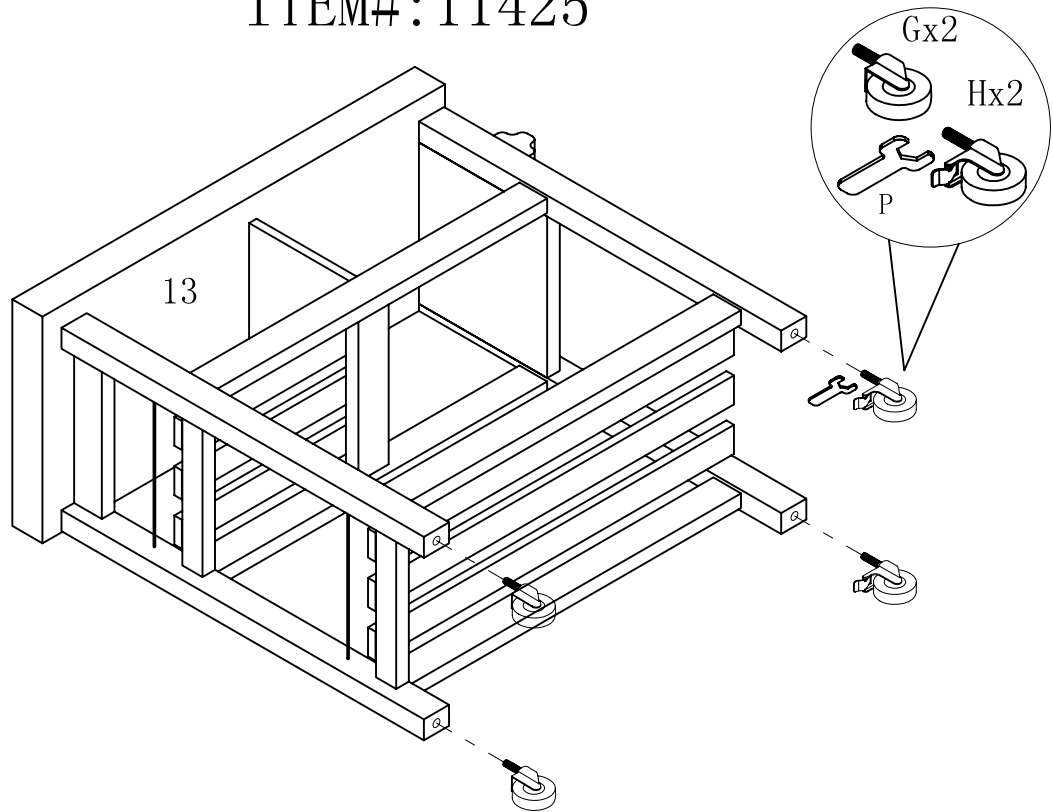


STEP9



# ASSEMBLY INSTRUCTION

ITEM#: 11425



STEP 10

STEP 11

