

ASSEMBLY INSTRUCTION

PLEASE READ BEFORE ASSEMBLING!

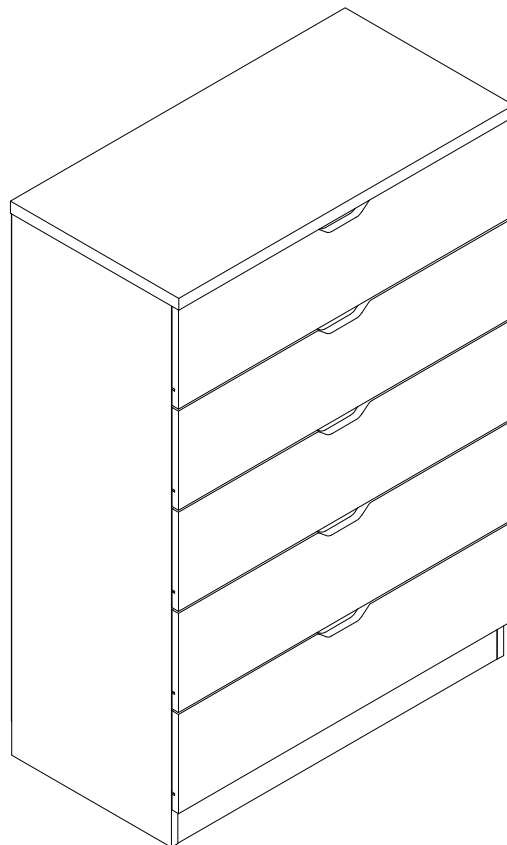
Tip #1: Make sure you've taken all the pieces and hardware out of its packaging before discarding the box. Assembly on top of flattened box/blanket is recommended.

Tip #2: Using page 2 and/or page 3 of instruction manual make sure all pieces and hardware are accounted for.

Tip #3: Note position of all holes on each panel during assembly.

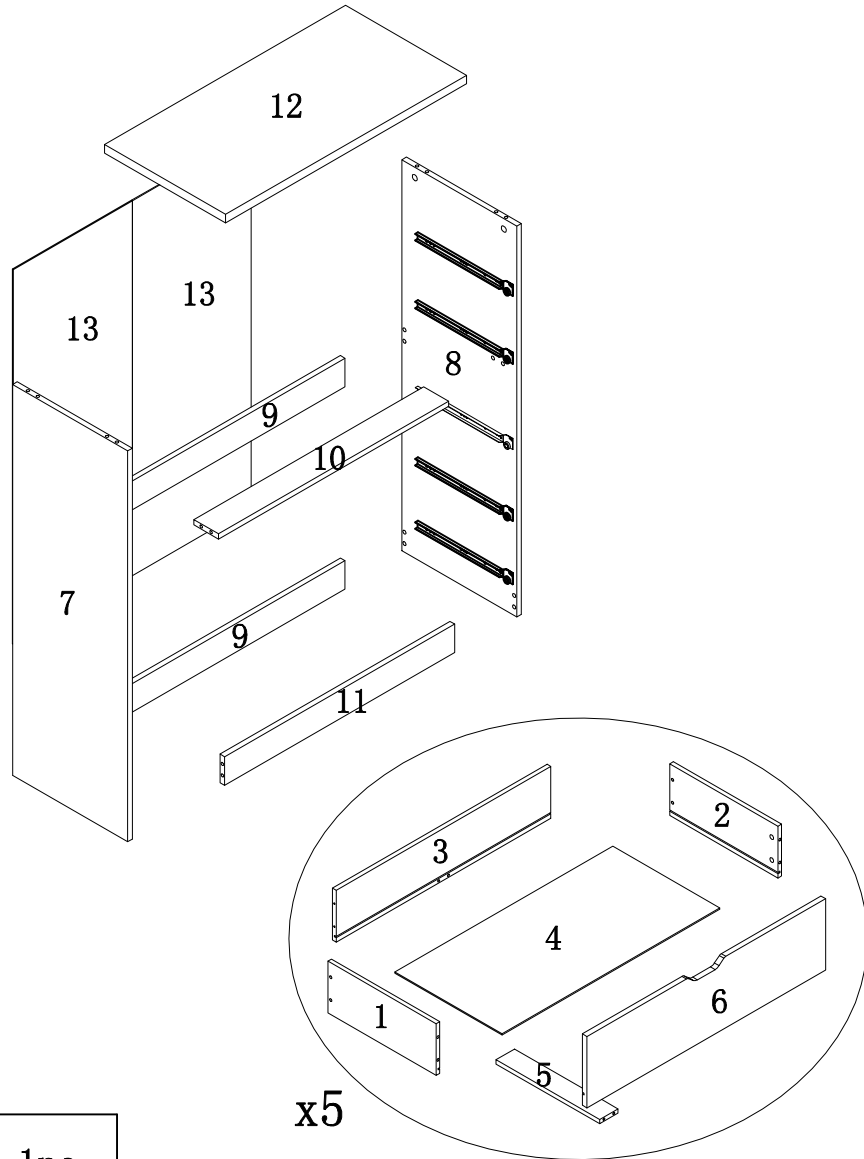
ITEM#: K16001、 K16002、 K16003
K16004、 K16005、 K16068
K16069、 K16070、 K16071

Need some help?
Scan here for
assembly video.



PARTS IDENTIFICATION

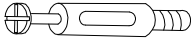


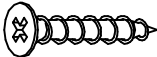






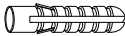




ITEM#:K16001、K16002、K16003
 K16004、K16005、K16068
 K16069、K16070、K16071



(1)	5pcs	(8)	1pc
(2)	5pcs	(9)	2pcs
(3)	5pcs	(10)	1pc
(4)	5pcs	(11)	1pc
(5)	5pcs	(12)	1pc
(6)	5pcs	(13)	2pcs
(7)	1pc		

HARDWARE IDENTIFICATION

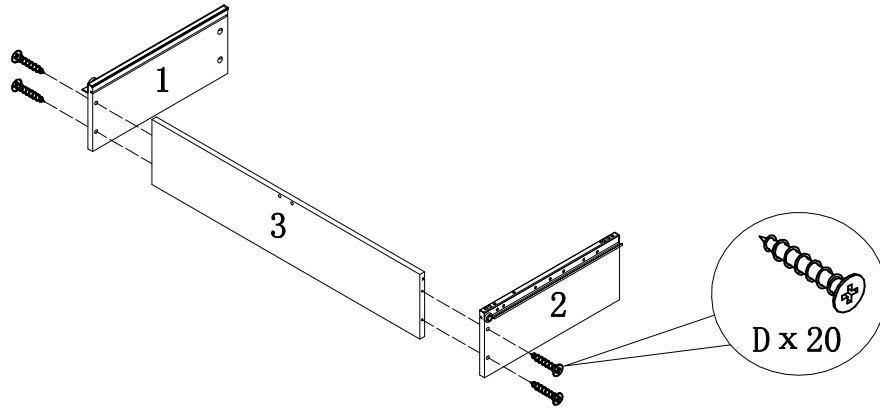
ITEM#: K16001、K16002、K16003
 K16004、K16005、K16068
 K16069、K16070、K16071

A		L29	20pcs
B		ø15	20pcs
C		Z1016	35pcs
D		ø4 x 30	30pcs
E		L20	20pcs
F		ø12	20pcs
G		ø8 × 25	4pcs
H		ø6 × 30	10pcs
I		ø16	6pcs
J		197x5x1	1pc
K		ø8x40	1pc
L		12x12x1	2pcs
M		ø5x40	1pc
N		ø4x25	1pc
O		Glue: For securing please apply to wood dowel first before inserting into panel	1pc

ASSEMBLY INSTRUCTION

ITEM#: K16001、K16002、K16003
K16004、K16005、K16068
K16069、K16070、K16071

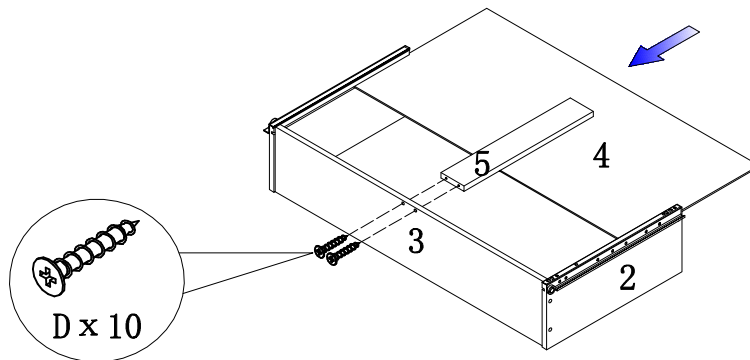
x5



STEP 1

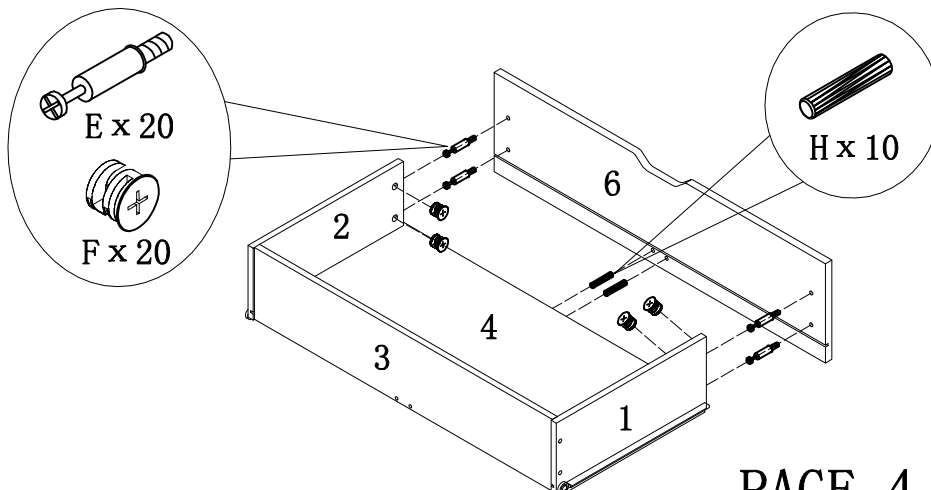
STEP 2

x5



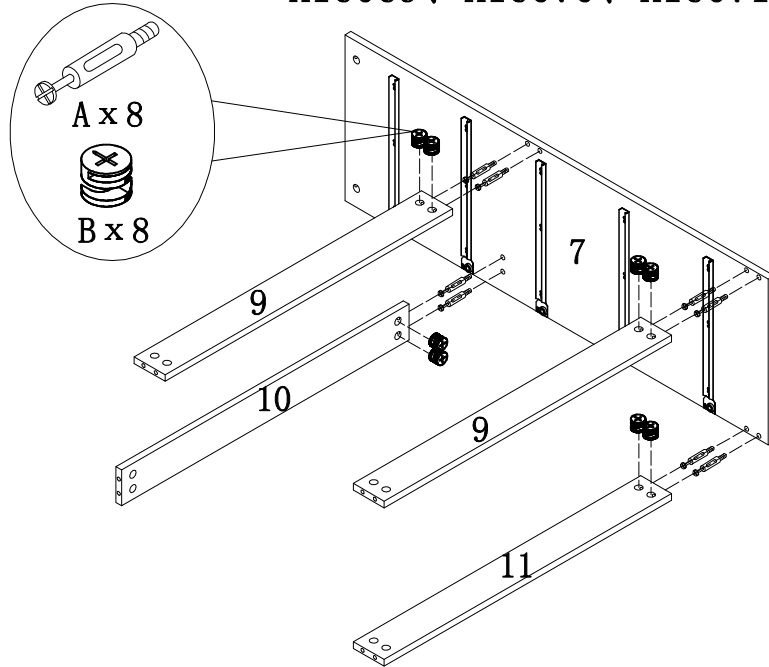
STEP 3

x5



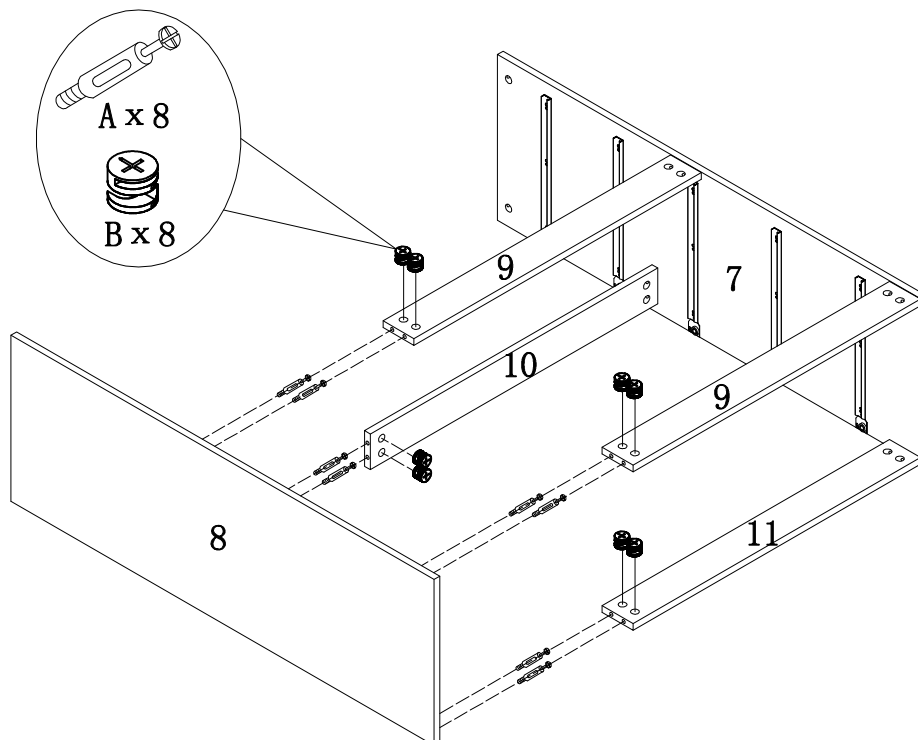
ASSEMBLY INSTRUCTION

ITEM#: K16001、K16002、K16003
K16004、K16005、K16068
K16069、K16070、K16071



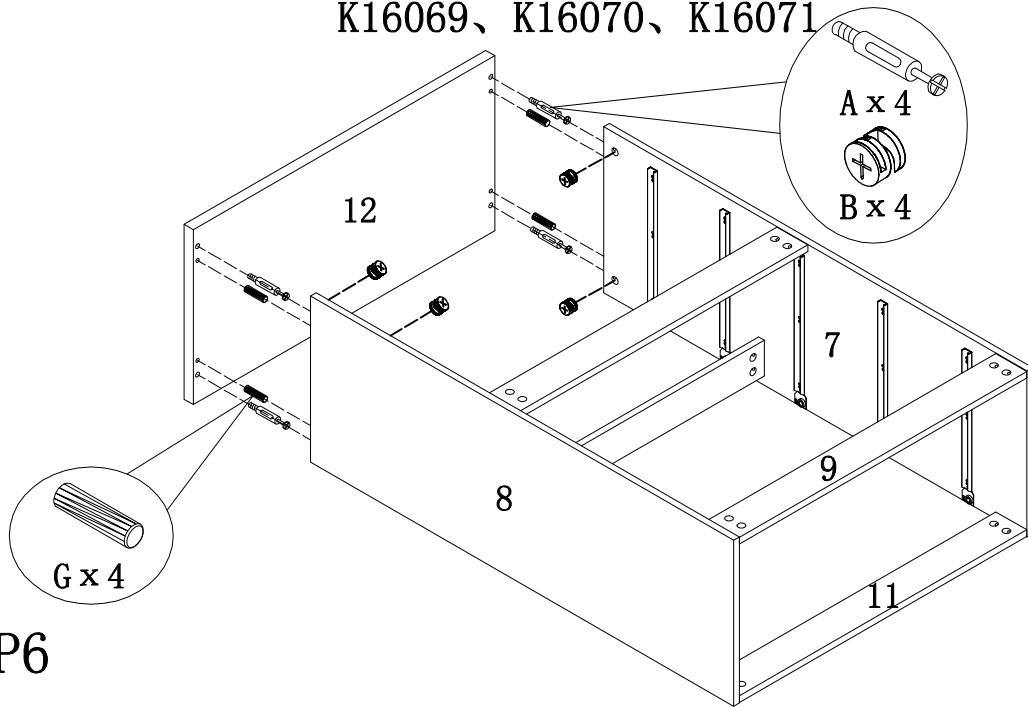
STEP4

STEP5



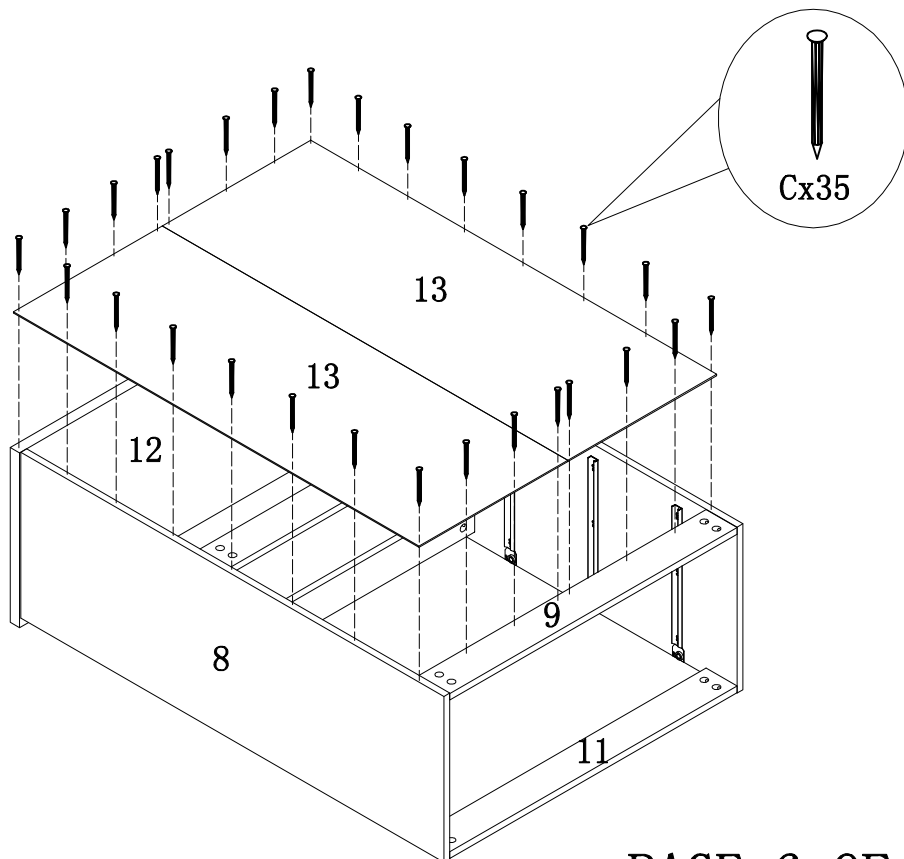
ASSEMBLY INSTRUCTION

ITEM#: K16001、K16002、K16003
K16004、K16005、K16068
K16069、K16070、K16071



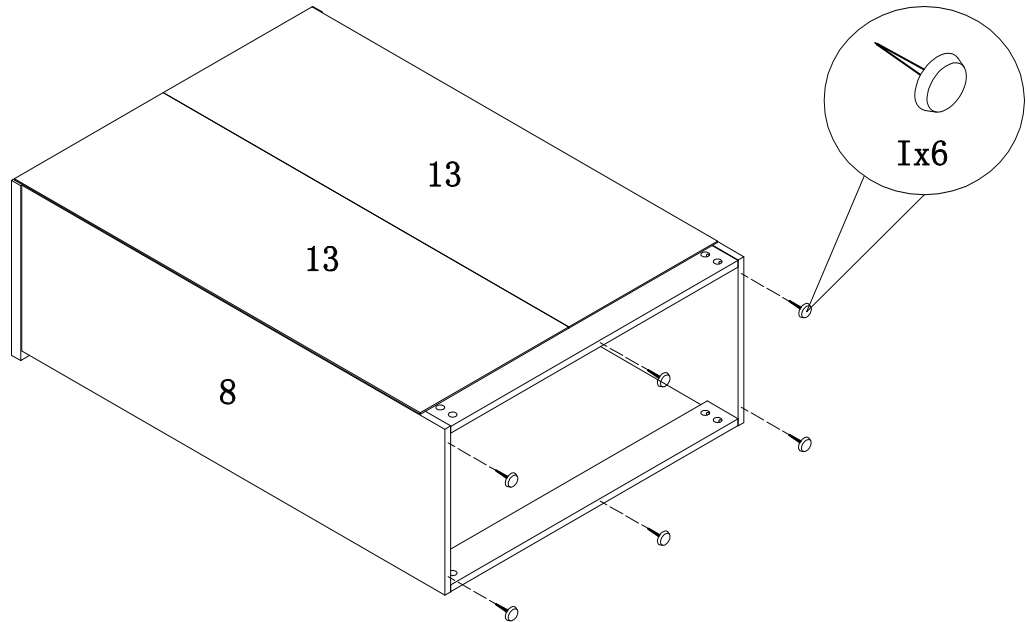
STEP6

STEP7



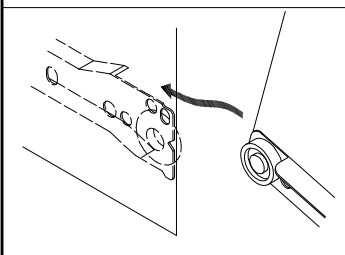
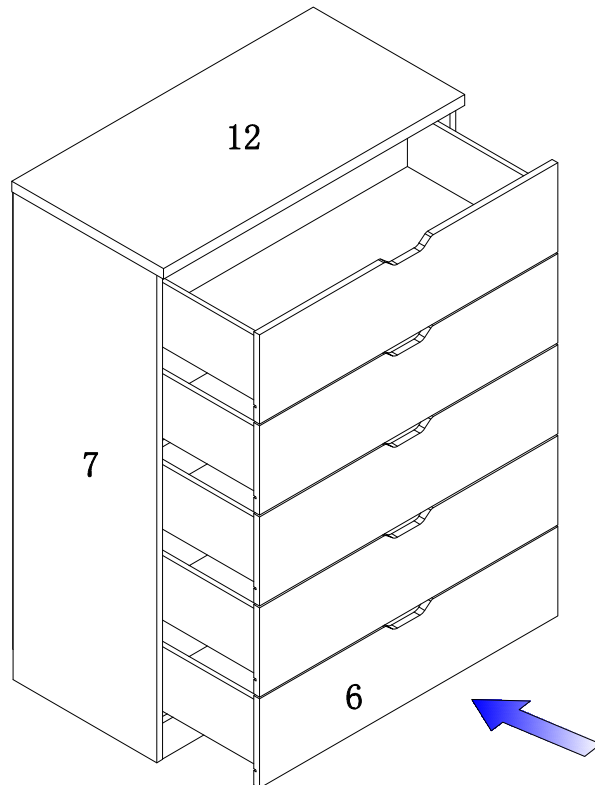
ASSEMBLY INSTRUCTION

ITEM#: K16001、K16002、K16003
K16004、K16005、K16068
K16069、K16070、K16071



STEP8

STEP9

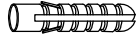


PAGE 7 OF 8

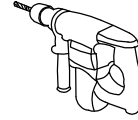
ANTI-TIPPING STRAP INSTRUCTION

HARDWARE (INCLUDED) :

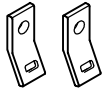
TOOLS NEEDED (NOT INCLUDED) :



DRYWALL ANCHOR $\phi 8 \times 40$ X 1PC



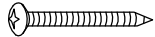
DRILL & DRILL BIT



METAL BRACKETS $12 \times 12 \times 1$ X 2PCS



LIGHT HAMMER



DRYWALL SCREW $\phi 5 \times 40$ X 1PC



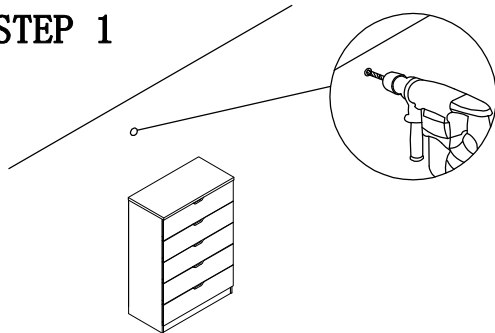
STRAP $197 \times 5 \times 1$ X 1PC



FLATHEAD SCREW $\phi 4 \times 25$ X 1PC

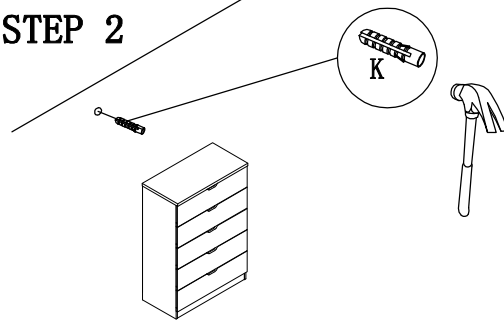
Note: Hardware included only compatible with standard drywalls.

STEP 1



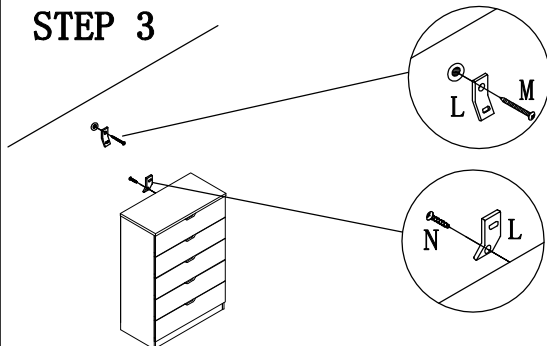
1. Find spot on wall 1" below top of item.
2. Using a drill bit slightly thinner than anchor, drill hole into drywall.

STEP 2



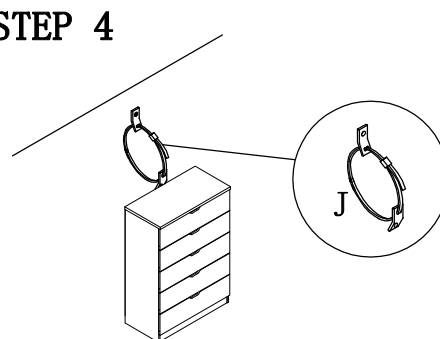
1. Use a light hammer to tap anchor into hole.
2. Anchor should fit snugly. If hole is too small, drill again to increase hole size. Do not force anchor into wall.

STEP 3



1. Insert drywall screw into metal bracket and into drywall anchor.
2. Insert flathead screw into second metal bracket and into back of item along top edge.

STEP 4



1. Insert strap thru bracket attached to wall, then thru bracket on item, and into head of strap.
 2. pull lightly til strap stops.
- Assembly is complete.