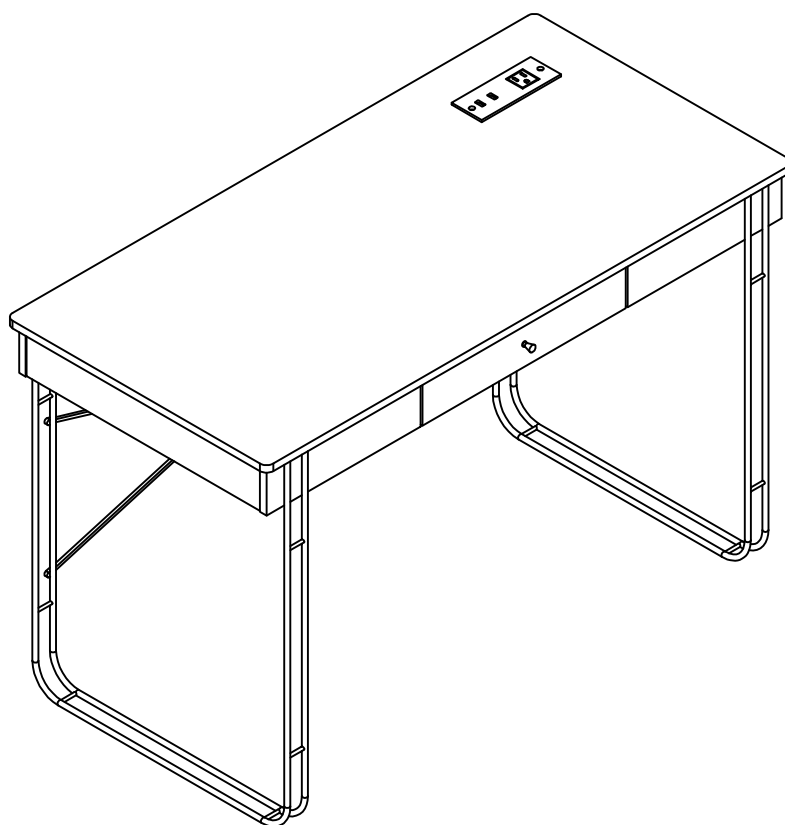


ASSEMBLY INSTRUCTION

ITEM#: 223150 223151 223152



ASSEMBLY INSTRUCTION

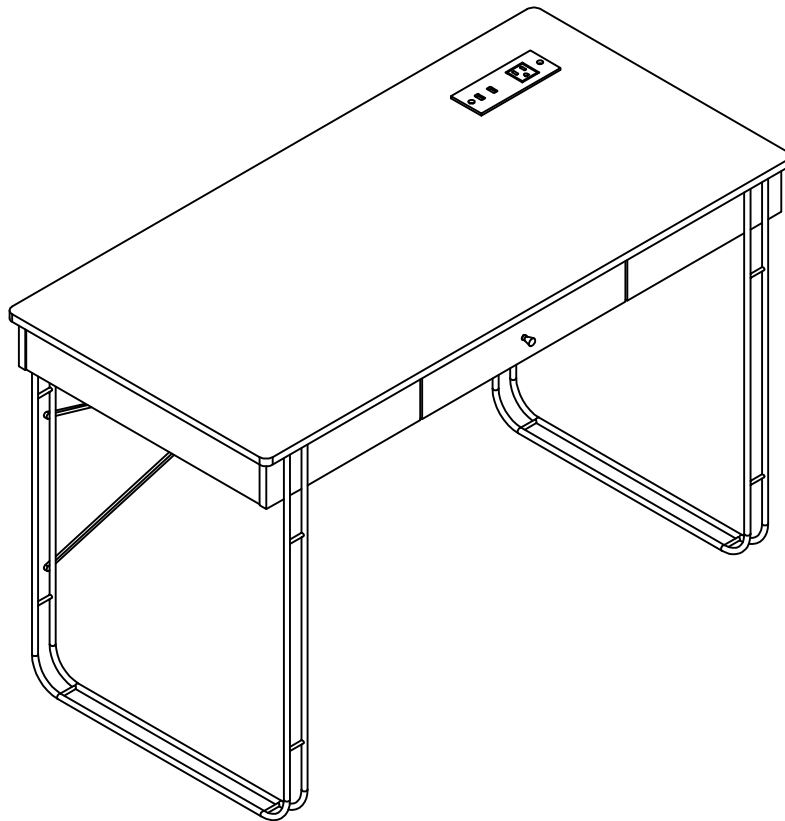
PLEASE READ BEFORE ASSEMBLING!

Tip #1: Make sure you've taken all the pieces and hardware out of its packaging before discarding the box.

Tip #2: Using page 2 and/or page 3 of instruction manual make sure all pieces and hardware are accounted for.

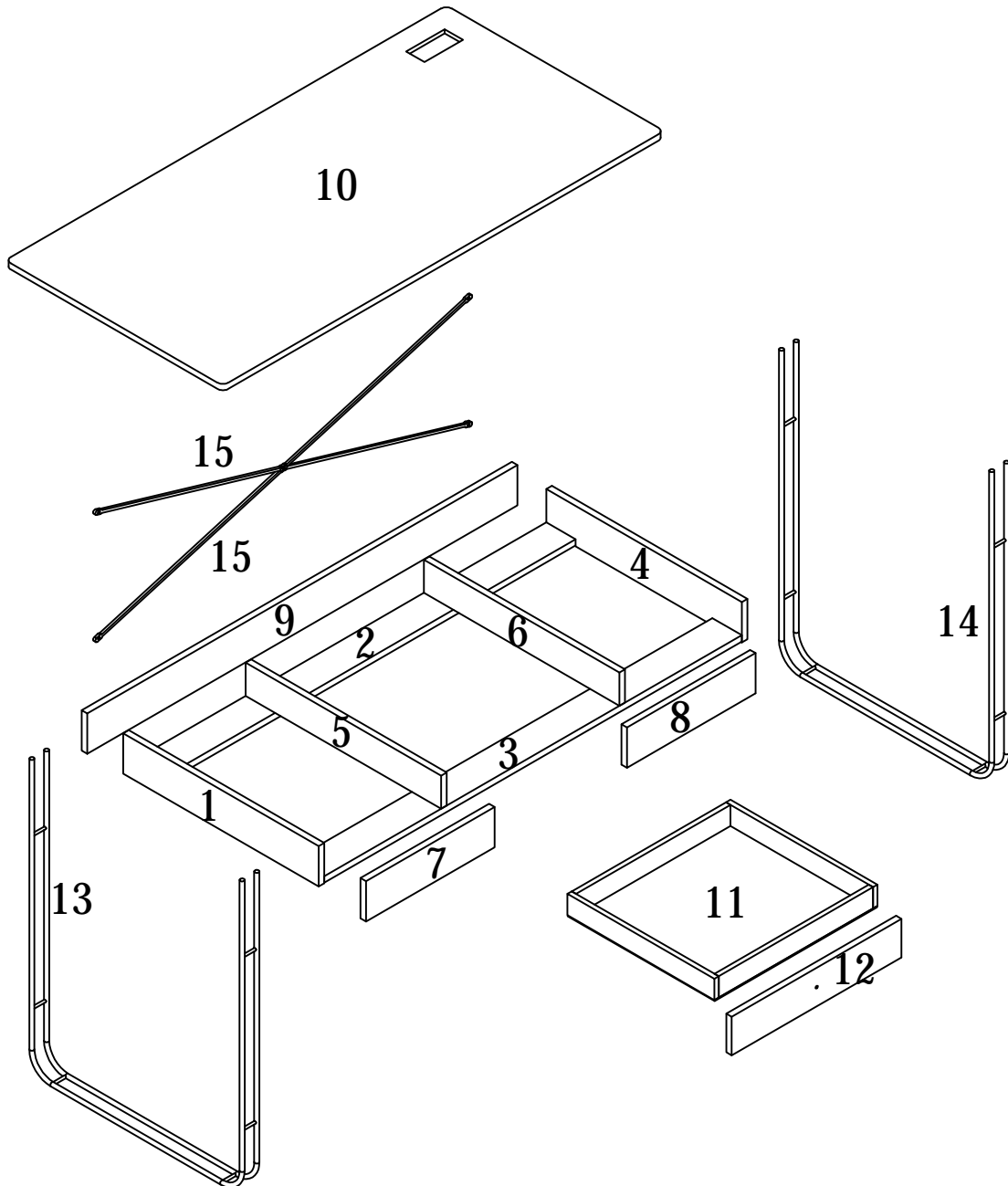
Tip #3: Read manual before assembling, it helps!

ITEM#: 223150 223151 223152



PARTS IDENTIFICATION

ITEM#: 223150 223151 223152





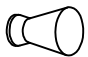
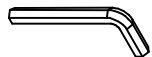



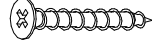
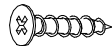
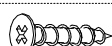



(1)	1pc	(6)	1pc	(11)	1pc
(2)	1pc	(7)	1pc	(12)	1pc
(3)	1pc	(8)	1pc	(13)	1pc
(4)	1pc	(9)	1pc	(14)	1pc
(5)	1pc	(10)	1pc	(15)	2pcs

PAGE: 2 OF 9

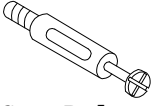

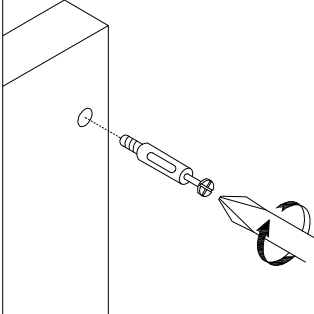
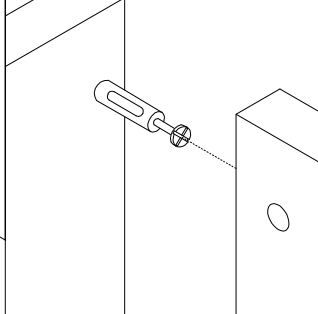
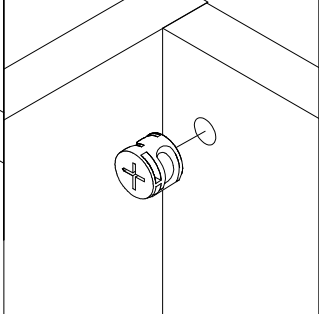
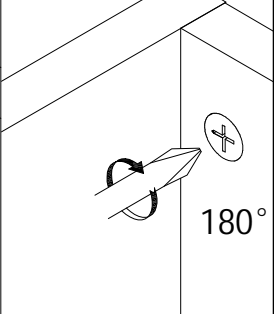
HARDWARE IDENTIFICATION

ITEM#: 223150 223151 223152

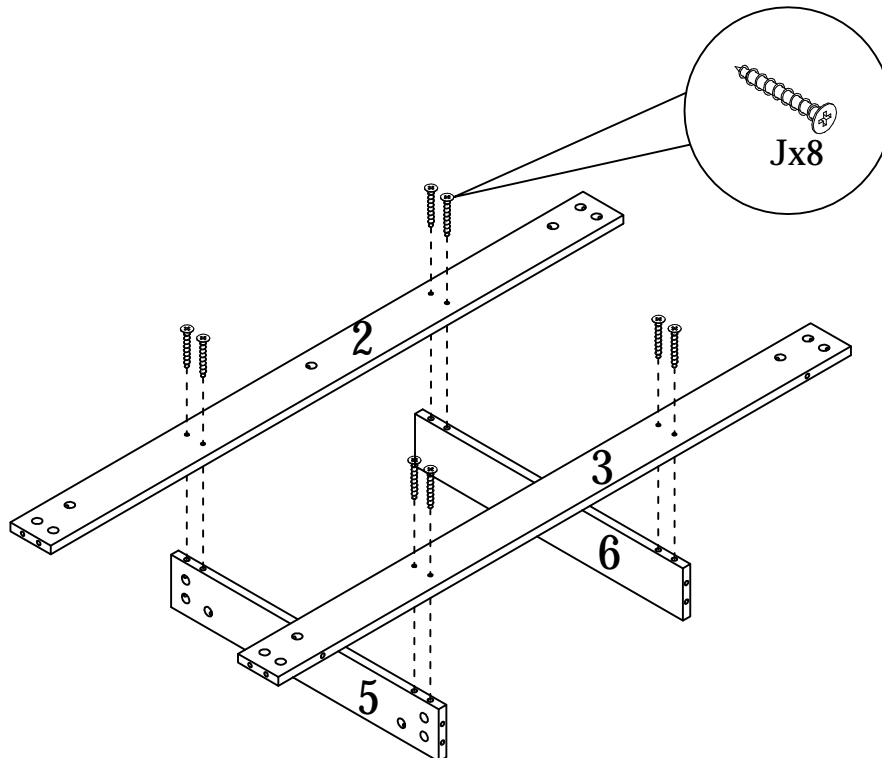
A		$\phi 6 \times 25$	16pcs
B		$\phi 6 \times 12$	5pcs
C			1pc
D		$\phi 4 \times 32$	1pc
E			1pc
F			1pc
G		L29	44pcs
H		$\phi 15$	44pcs
I		$\phi 8 \times 25$	4pcs
J		$\phi 4 \times 35$	8pcs
K		$\phi 4 \times 25$	2pcs
L		$\phi 3.5 \times 12$	2pcs
M			1pc

ASSEMBLY INSTRUCTION

ITEM#: 223150 223151 223152

HOW TO	1	2	3	4
 Cam Bolt  Cam Lock				
	1. Screw Cam Bolt into panel.	2. Insert Cam Bolt into bolt hole of joining panel.	3. Insert Cam Lock. arrow facing bolt.	4. Gently turn Cam Lock clockwise to lock position.

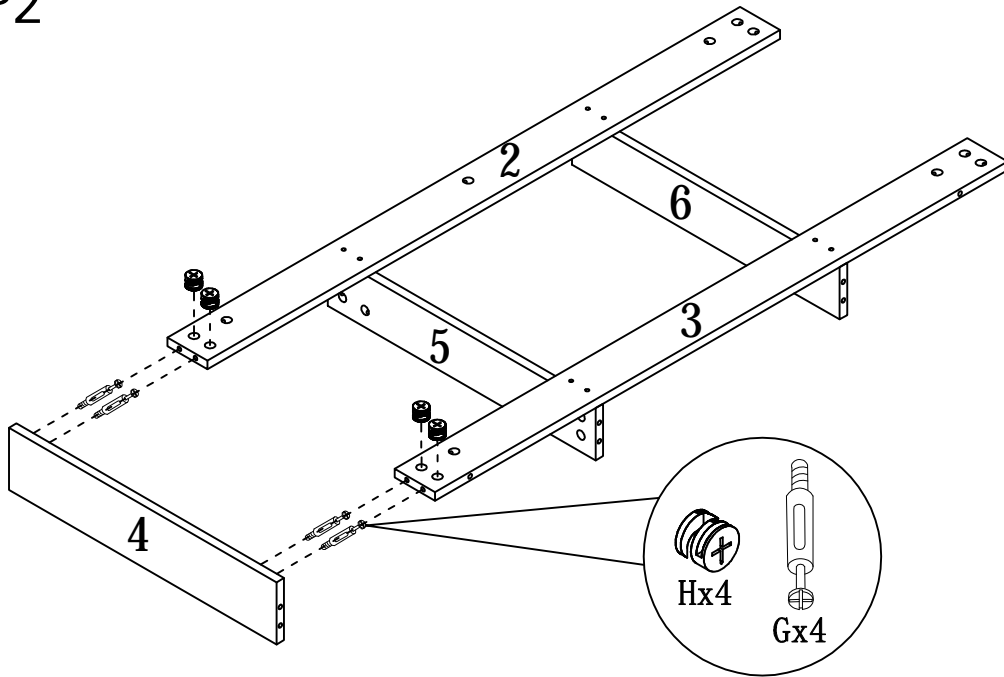
STEP1



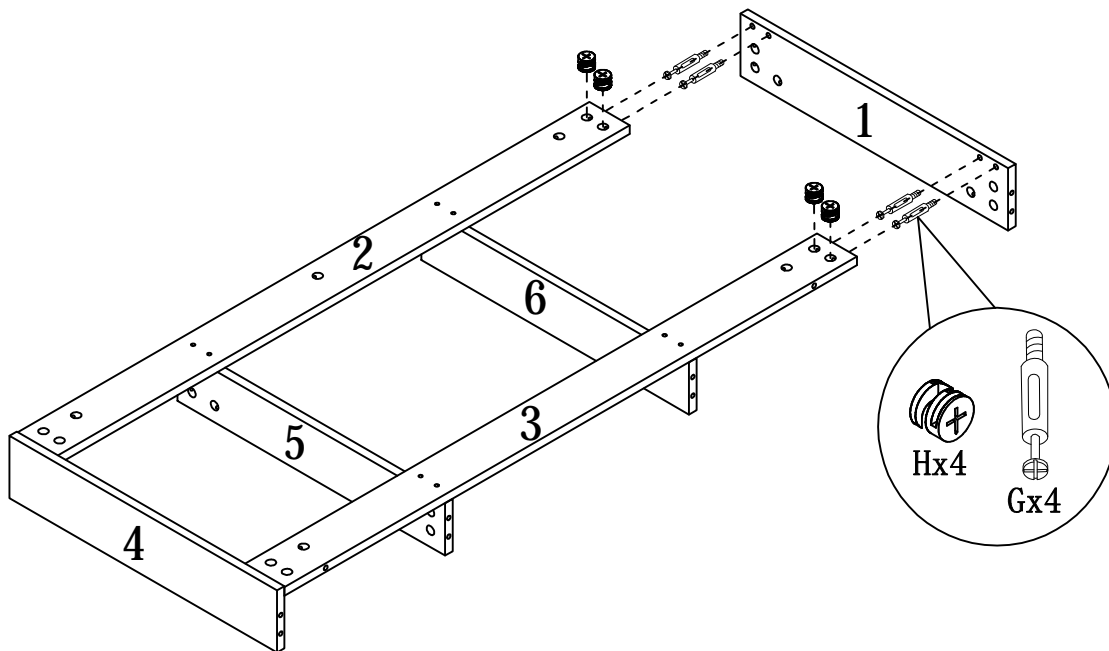
ASSEMBLY INSTRUCTION

ITEM#: 223150 223151 223152

STEP2



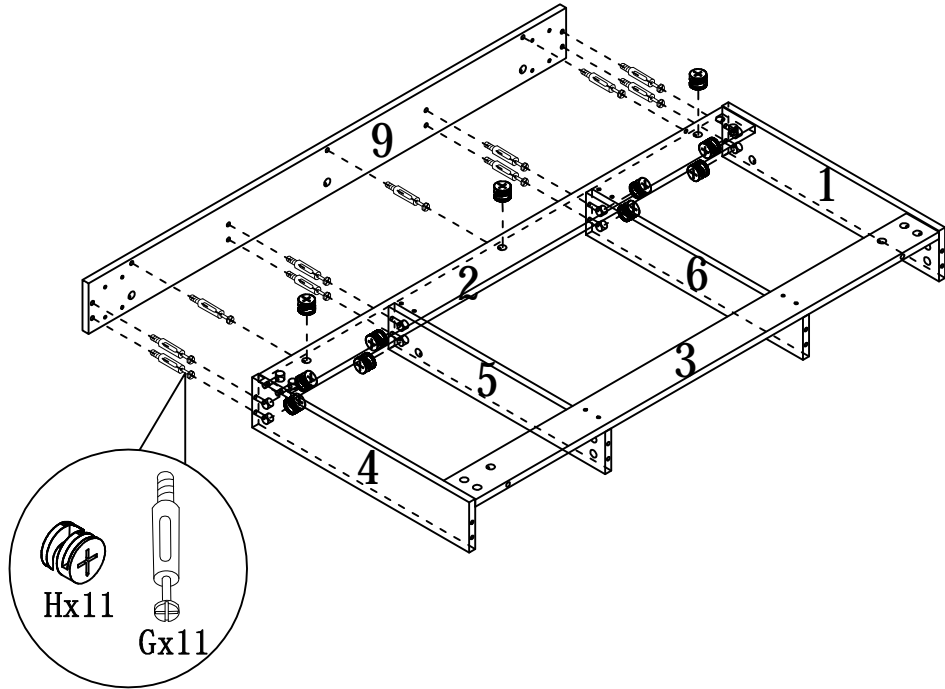
STEP3



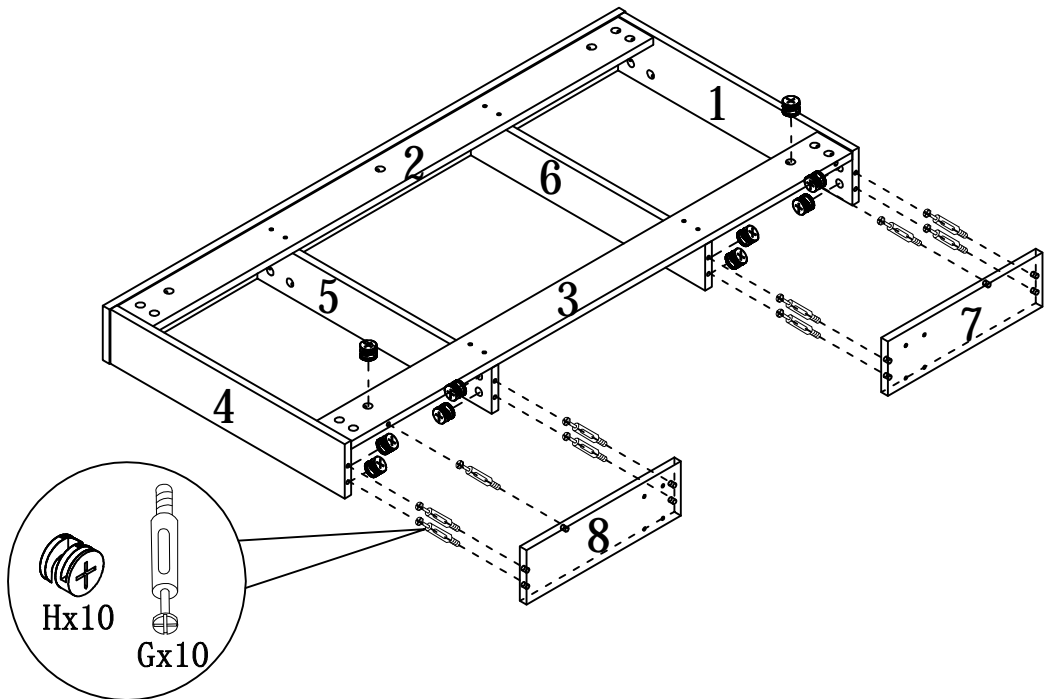
ASSEMBLY INSTRUCTION

ITEM#: 223150 223151 223152

STEP4



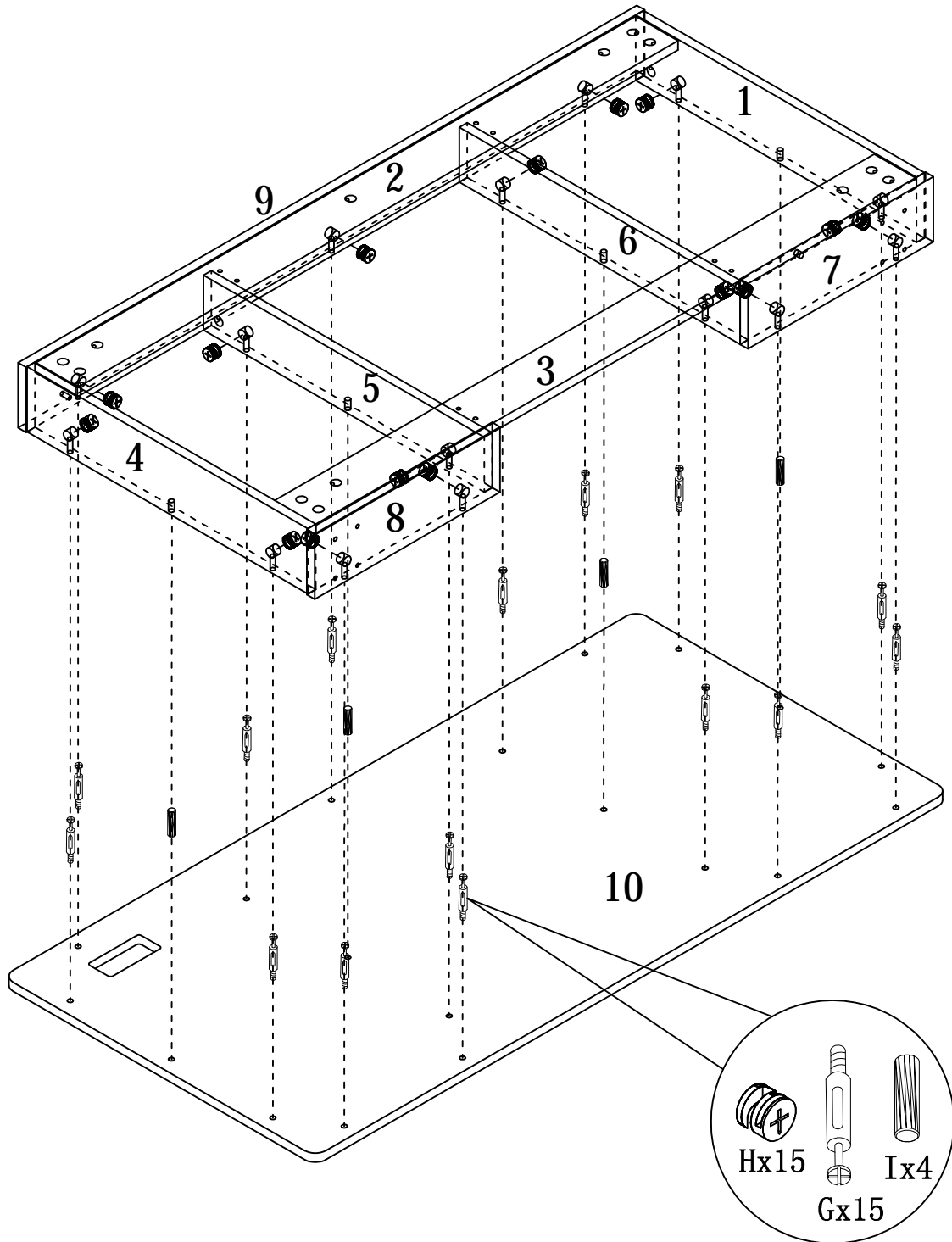
STEP5



ASSEMBLY INSTRUCTION

ITEM#: 223150 223151 223152

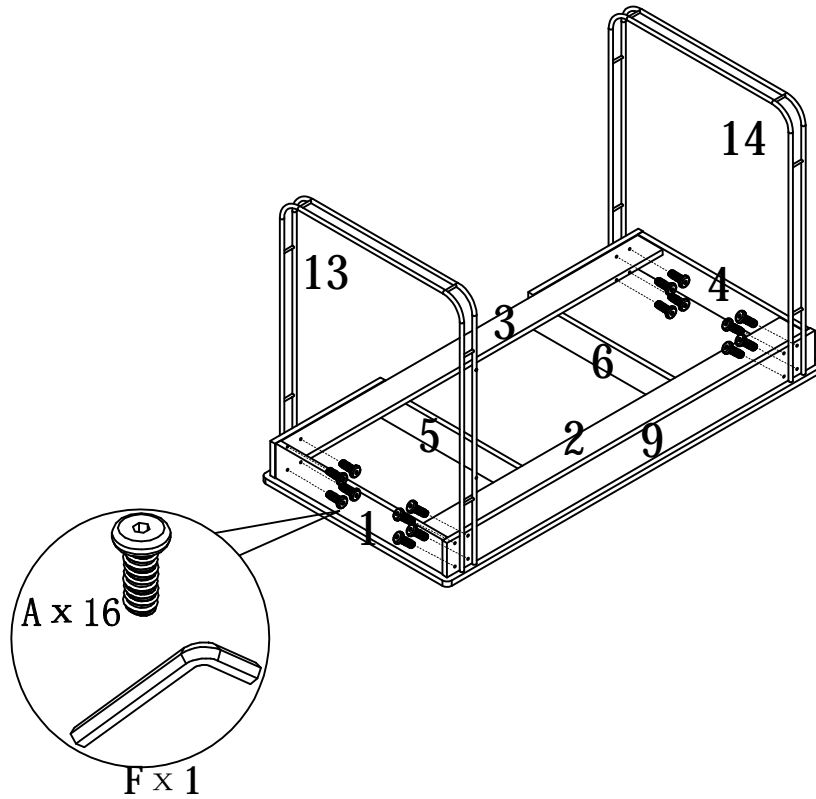
STEP 6



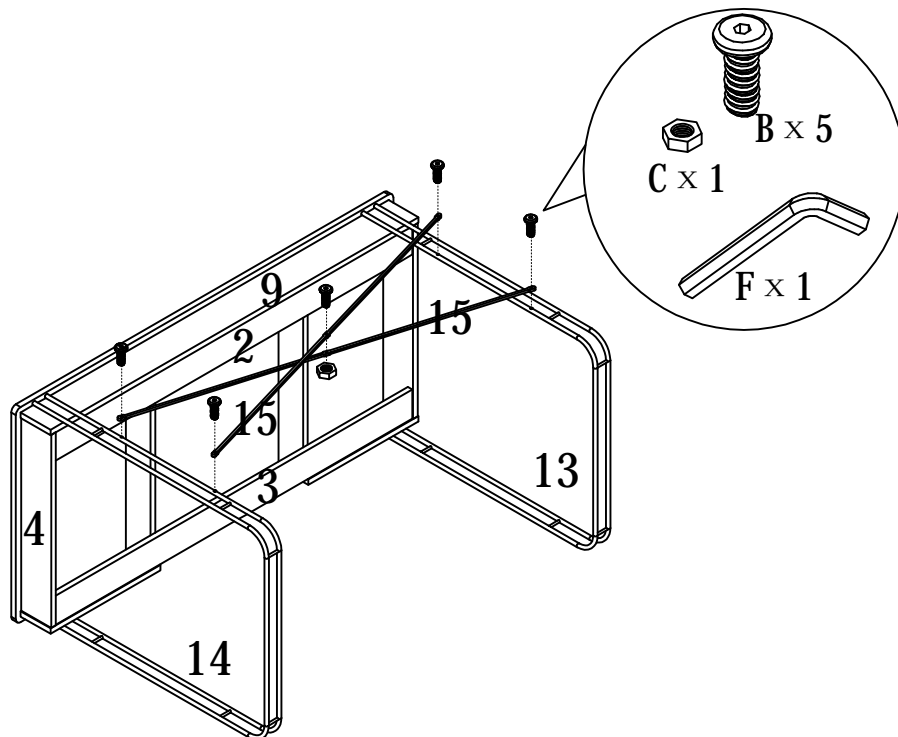
ASSEMBLY INSTRUCTION

ITEM#: 223150 223151 223152

STEP 7



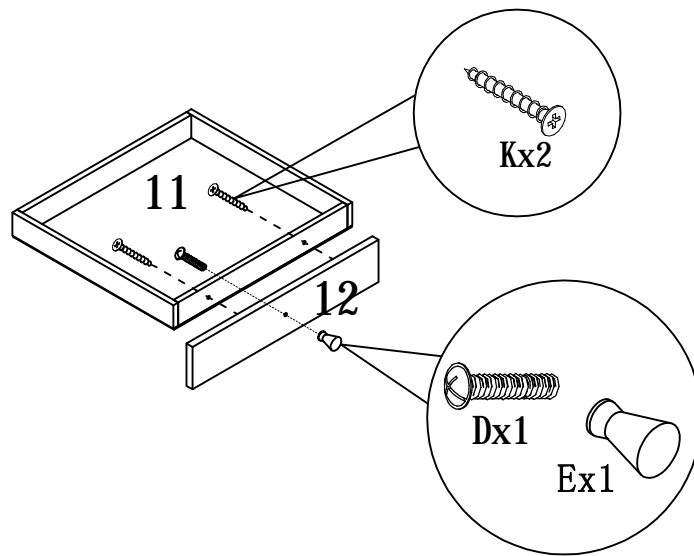
STEP 8



ASSEMBLY INSTRUCTION

ITEM#: 223150 223151 223152

STEP9



STEP10

