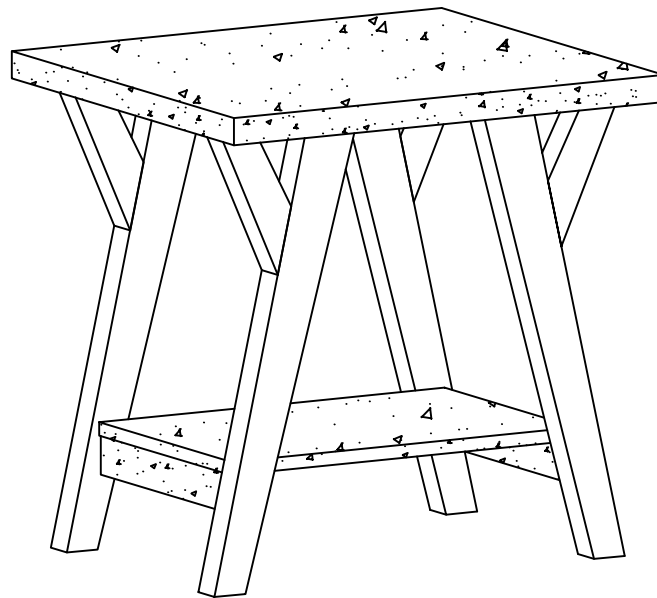


ASSEMBLY INSTRUCTION

ITEM#:161834ET



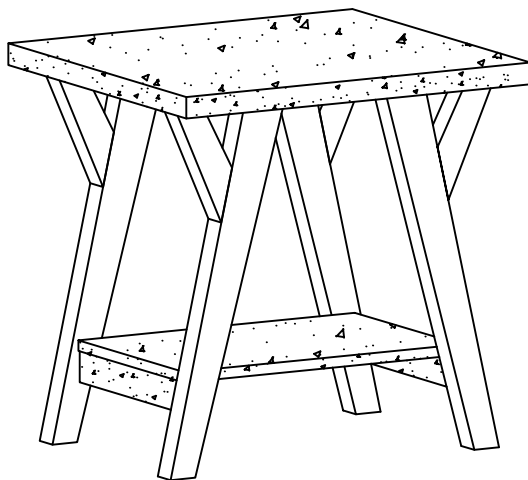
ASSEMBLY INSTRUCTION

PLEASE READ BEFORE ASSEMBLING!

Tip #1: Make sure you've taken all the pieces and hardware out of its packaging before discarding the box.

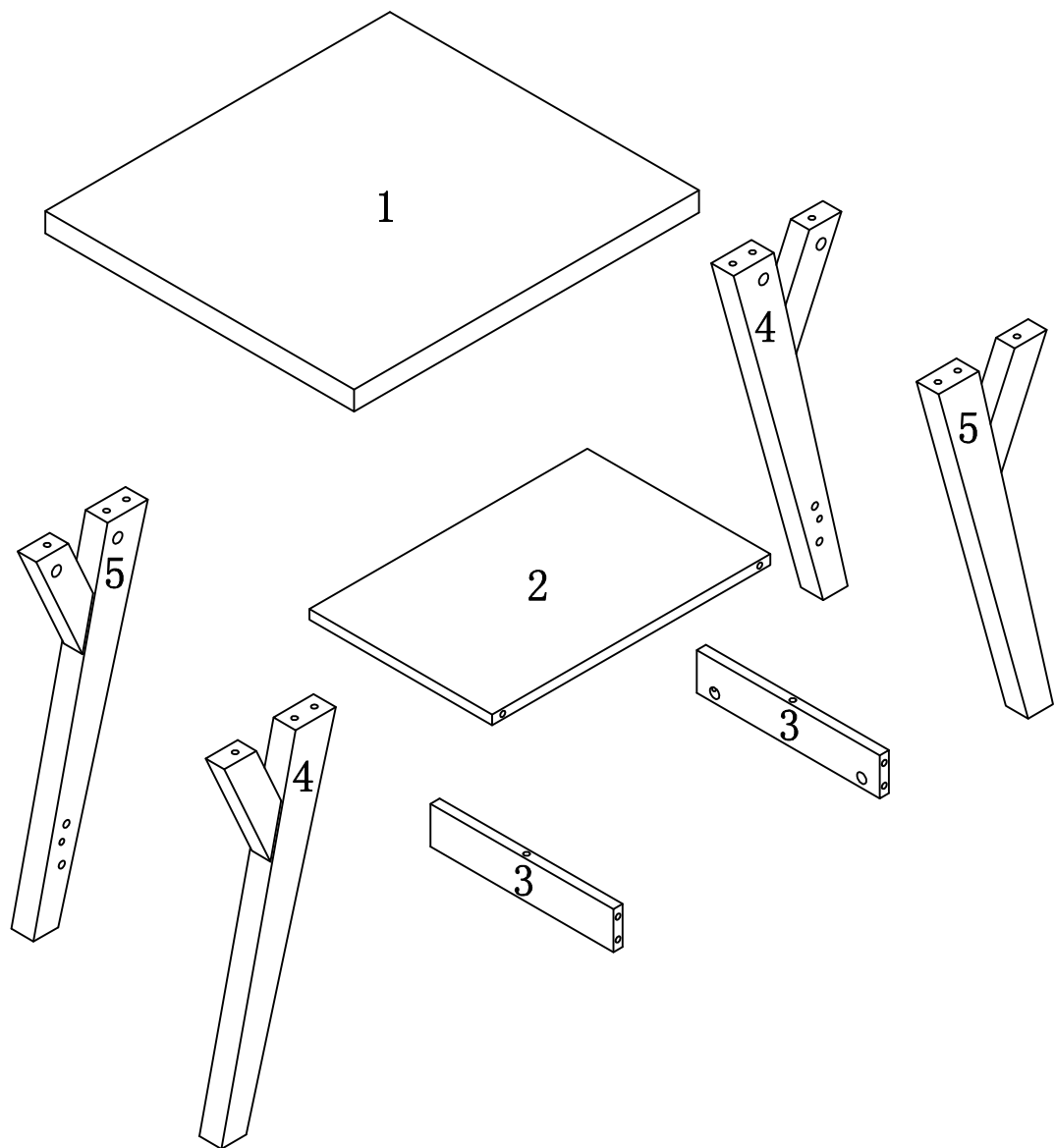
Tip #2: Using page 2 and/or page 3 of instruction manual make sure all pieces and hardware are accounted for.

ITEM#:161834ET



PARTS IDENTIFICATION





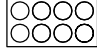

ITEM#:161834ET



- | | |
|-----|------|
| (1) | 1pc |
| (2) | 1pc |
| (3) | 1pc |
| (4) | 1pc |
| (5) | 2pcs |

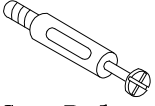

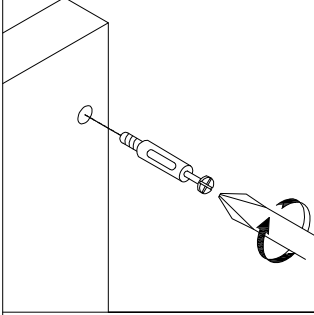
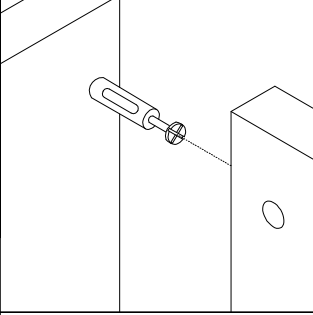
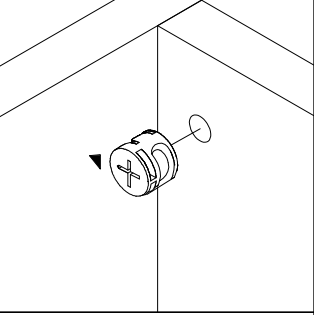
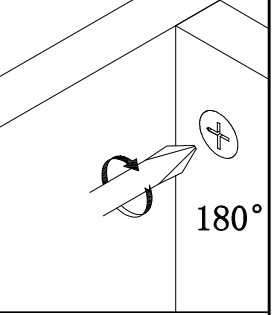
HARDWARE IDENTIFICATION

ITEM#:161834ET

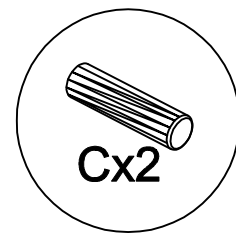
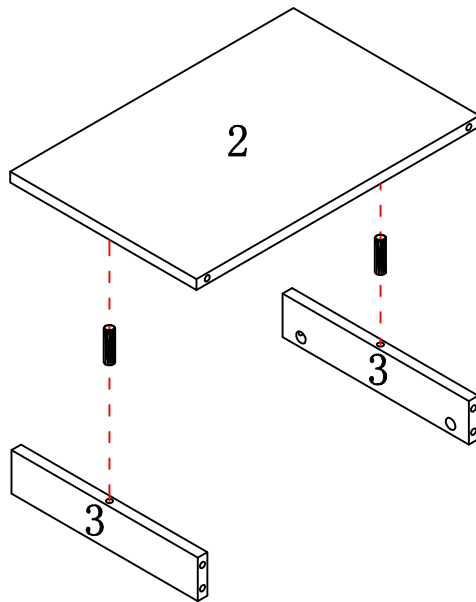
A		L29	16PCS
B		Φ 15	16PCS
C		Φ 8x25	10PCS
D		Φ 16	4PCS
E		Φ 22 (DGY)	8PCS
F		Glue: For securing please apply to wood dowel first before inserting into panel	1PC

HARDWARE IDENTIFICATION

ITEM#:161834ET

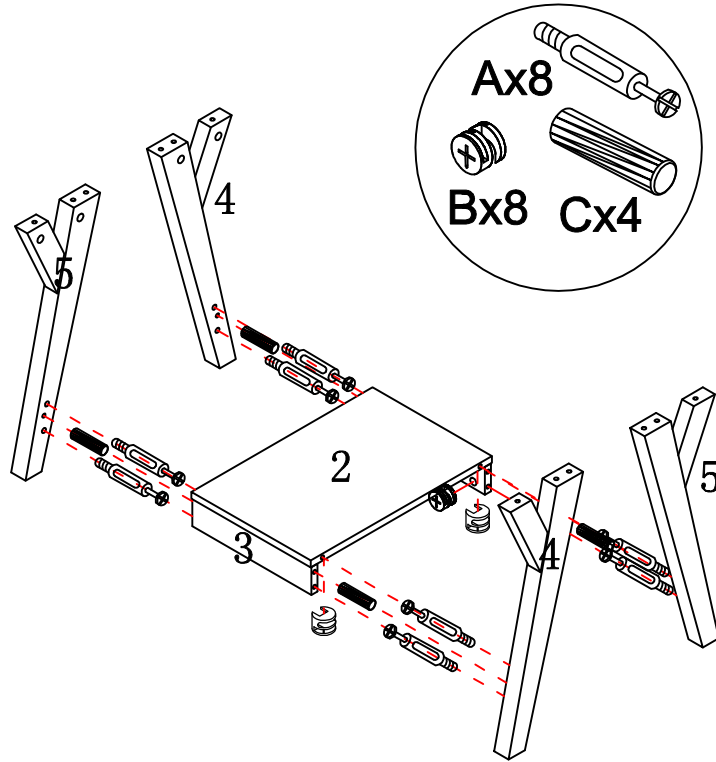
HOW TO	1	2	3	4
 Cam Bolt  Cam Lock				
	1. Screw Cam Bolt into panel.	2. Insert Cam Bolt into bolt hole of joining panel.	3. Insert Cam Lock. arrow facing bolt.	4. Gently turn Cam Lock clockwise to lock position.

STEP1



HARDWARE IDENTIFICATION

ITEM#:161834ET



STEP2

STEP3

