

ASSEMBLY INSTRUCTION

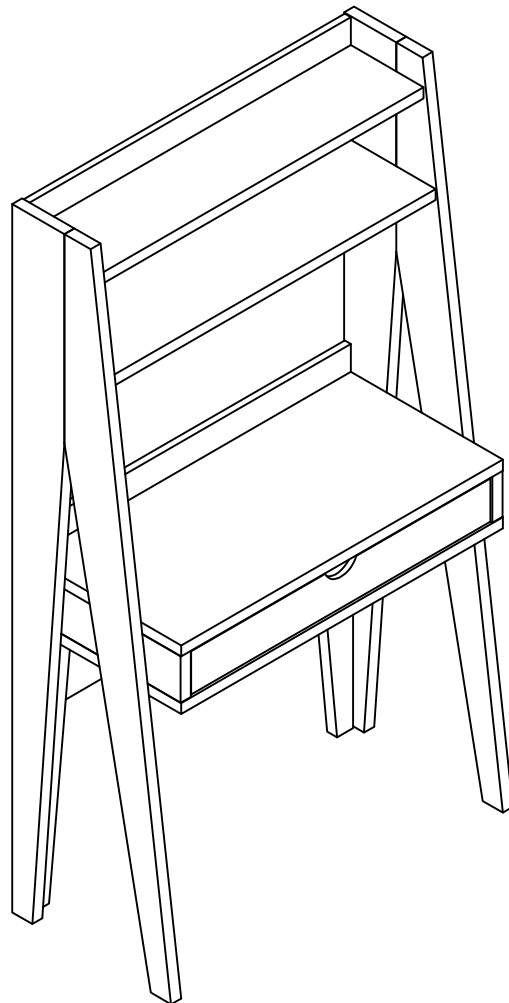
PLEASE READ BEFORE ASSEMBLING!

Tip #1: Make sure you've taken all the pieces and hardware out of its packaging before discarding the box.

Tip #2: Using page 2 and/or page 3 of instruction manual make sure all pieces and hardware are accounted for.

Tip #3: Read manual before assembling, it helps!

ITEM#: 151288 192488 151267 212963

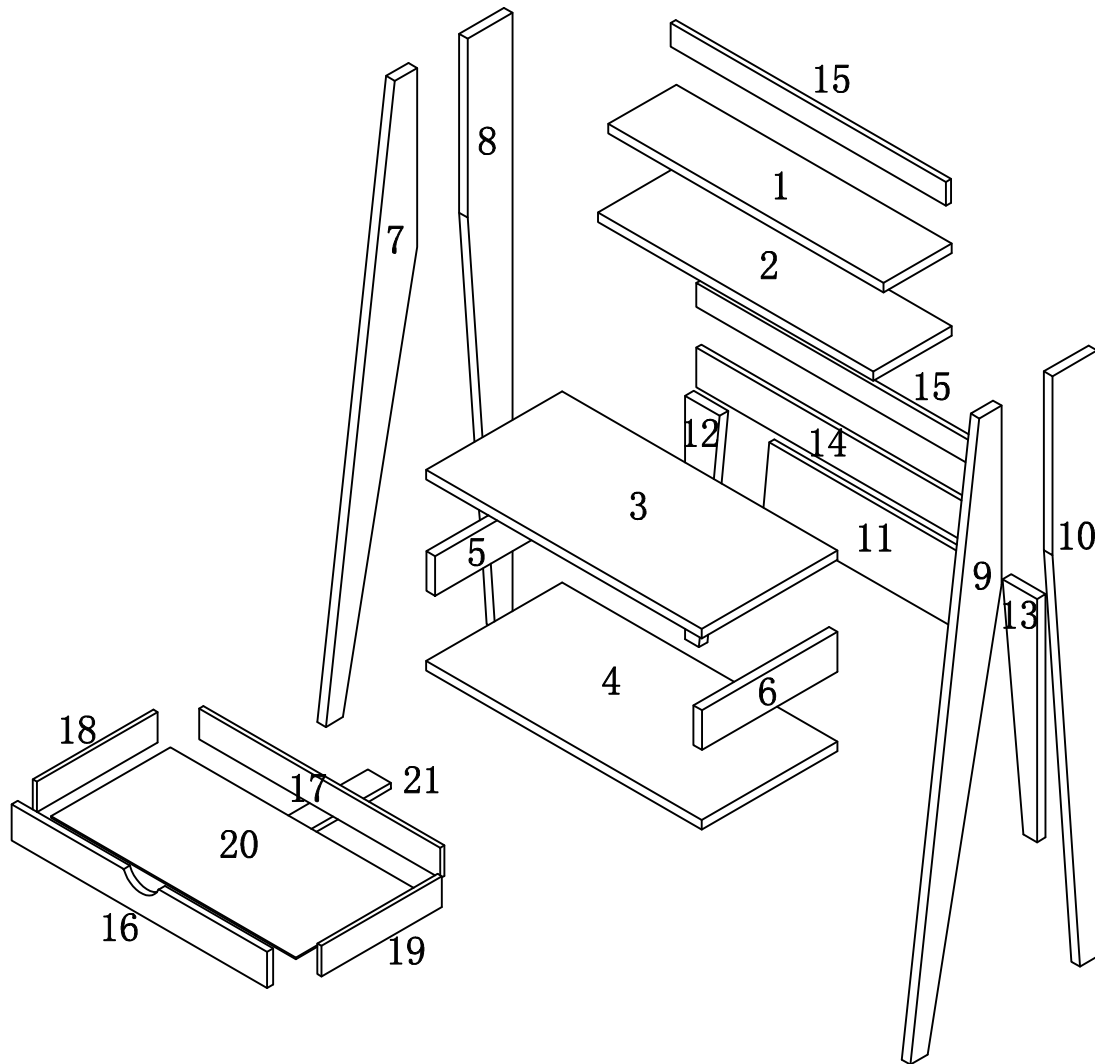


Need some help?
Scan here for
assembly video.



PARTS IDENTIFICATION




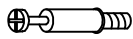


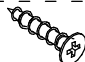
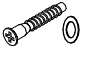


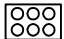



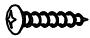

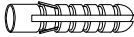


ITEM#: 151288 192488 151267 212963



(1)	1pc	(9)	1pc	(17)	1pc
(2)	1pc	(10)	1pc	(18)	1pc
(3)	1pc	(11)	1pc	(19)	1pc
(4)	1pc	(12)	1pc	(20)	1pc
(5)	1pc	(13)	1pc	(21)	1pc
(6)	1pc	(14)	1pc		
(7)	1pc	(15)	2pcs		
(8)	1pc	(16)	1pc		

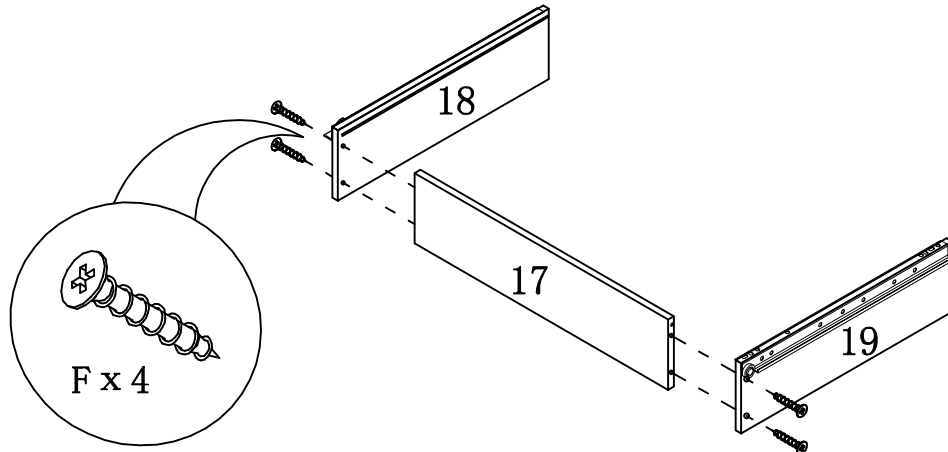
HARDWARE IDENTIFICATION

ITEM#: 151288 192488 151267 212963

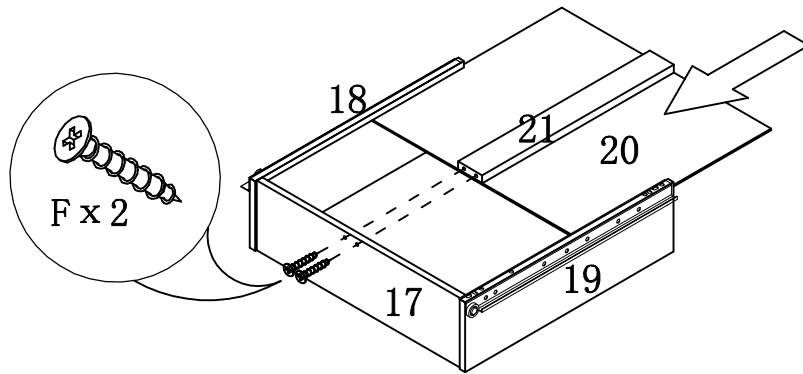
A		L=29	38pcs
B		Ø15	38pcs
C		Ø8x25	30pcs
D		L20	4pcs
E		Ø 12	4pcs
F		Ø4x30	6pcs
G		Ø4x40	6pcs
H		Ø7x48	4pcs
I		Ø6x30	2pcs
J		M6x30	4pcs
K		Ø22 (WH3)	10pcs
L		Ø22 (WW)	4pcs
M		Ø16	4pcs
N		197×5×1	1pc
O		Ø4 x 25	1pc
P		Ø5 x 40	1pc
Q		Ø8 x 40	1pc
R		12×12×1	2pcs
S		Glue: For securing please apply to wood dowel first before inserting into panel	1pc

ASSEMBLY INSTRUCTION

ITEM#: 151288 192488 151267 212963

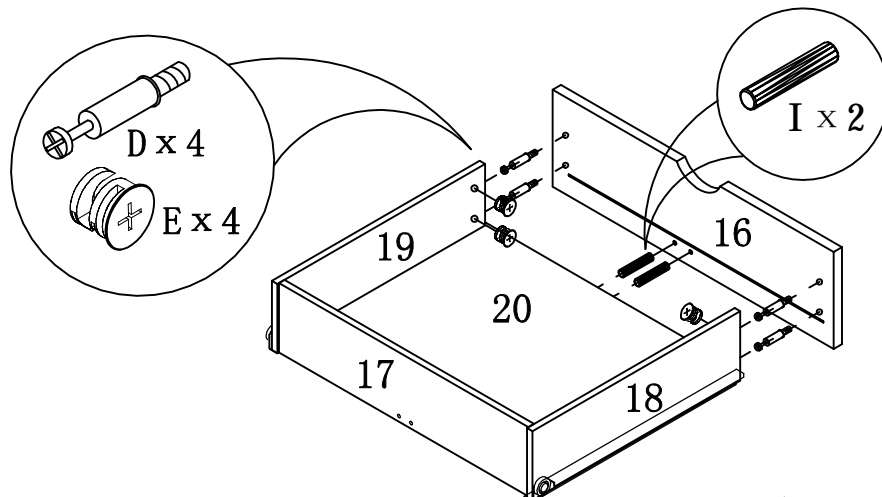


STEP 1



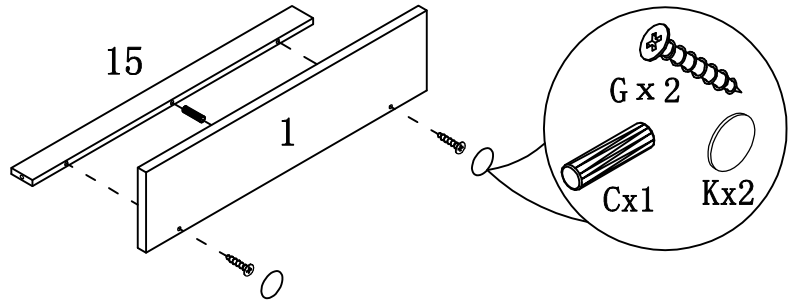
STEP 2

STEP 3



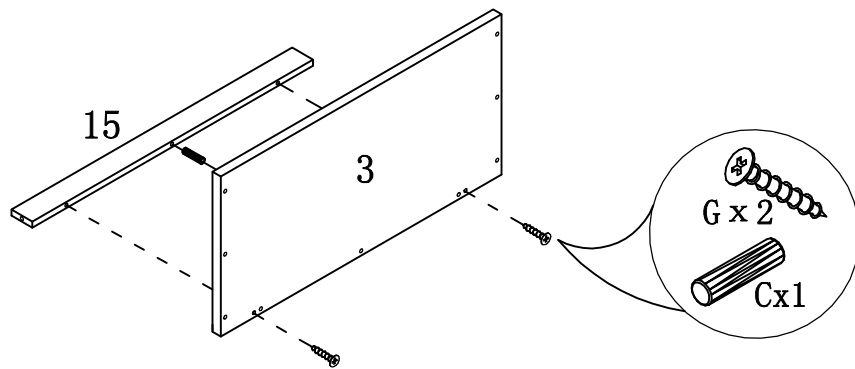
ASSEMBLY INSTRUCTION

ITEM#: 151288 192488 151267 212963

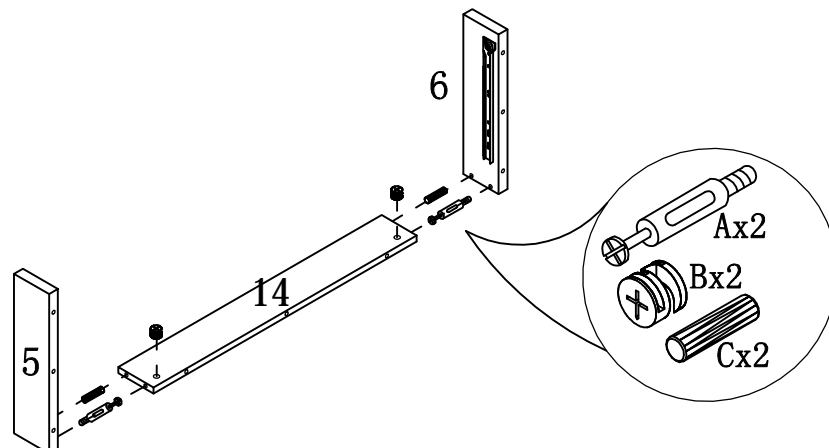


STEP 4

STEP 5

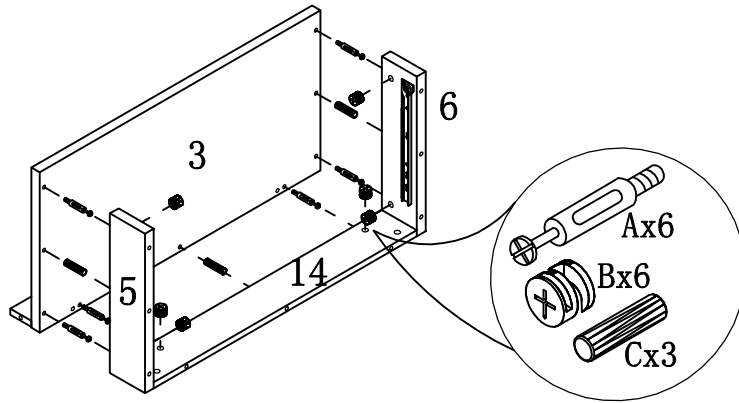


STEP 6

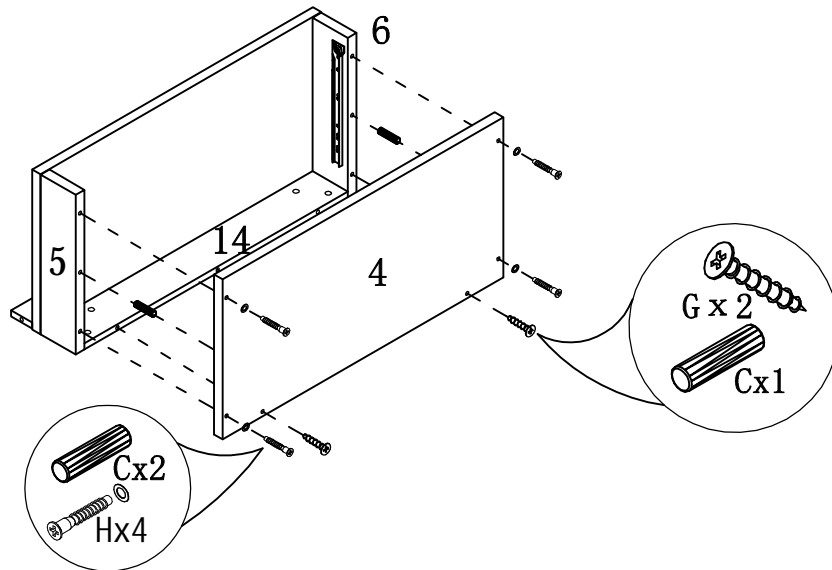


ASSEMBLY INSTRUCTION

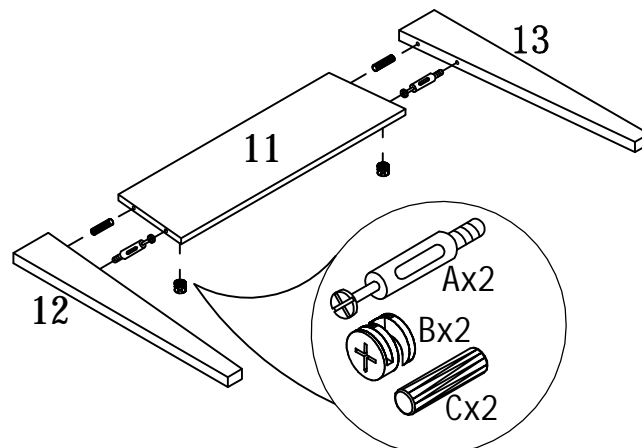
ITEM#: 151288 192488 151267 212963



STEP 7



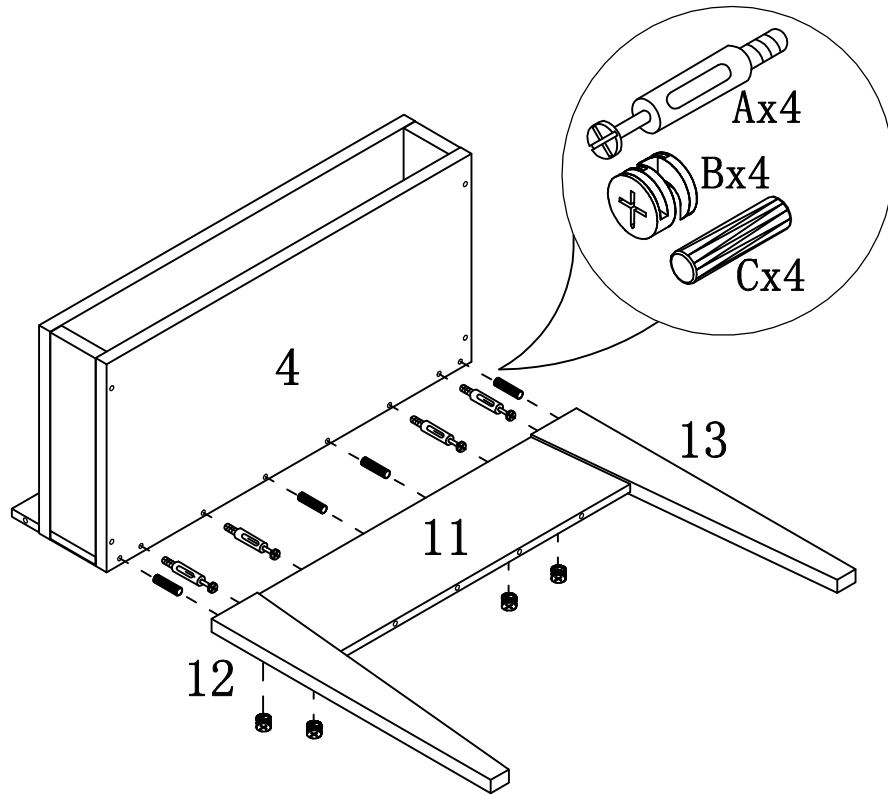
STEP 8



STEP 9

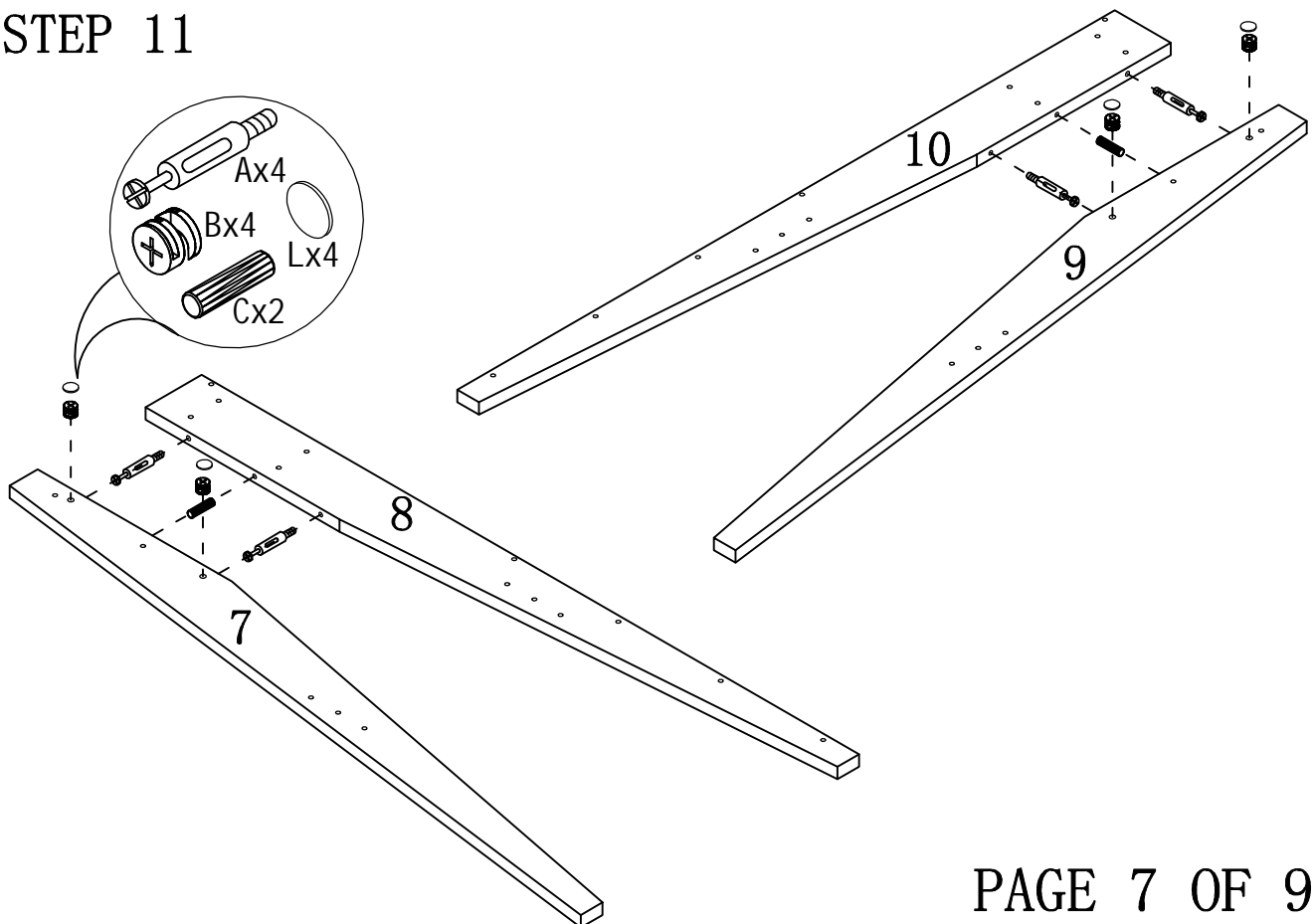
ASSEMBLY INSTRUCTION

ITEM#: 151288 192488 151267 212963



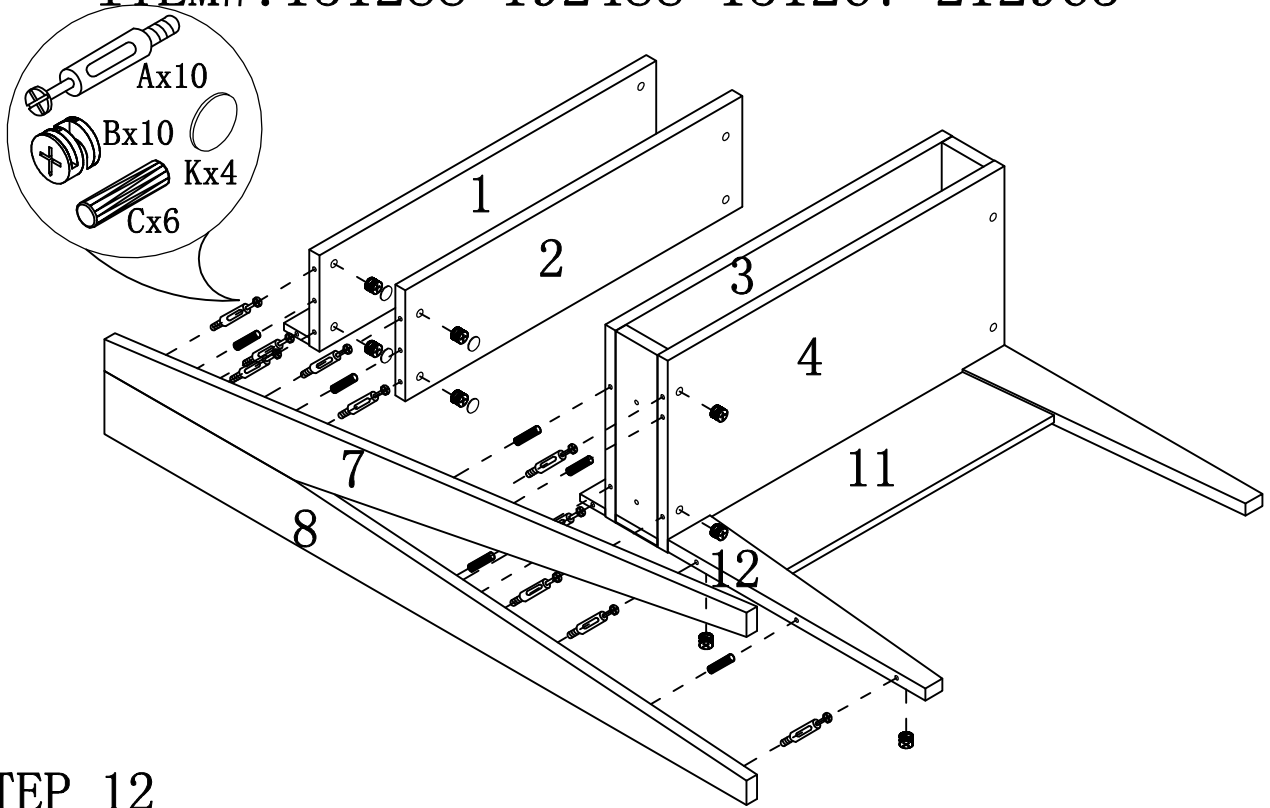
STEP 10

STEP 11



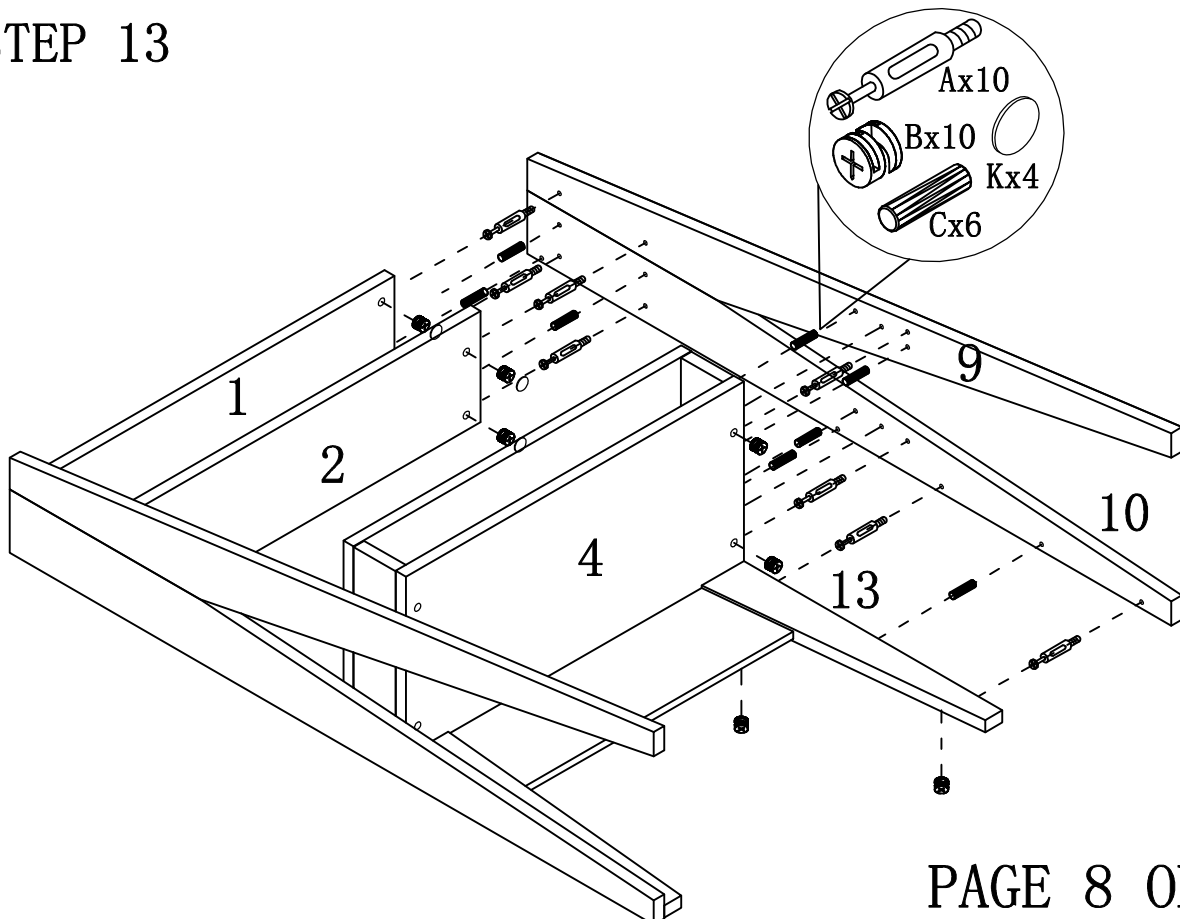
ASSEMBLY INSTRUCTION

ITEM#: 151288 192488 151267 212963



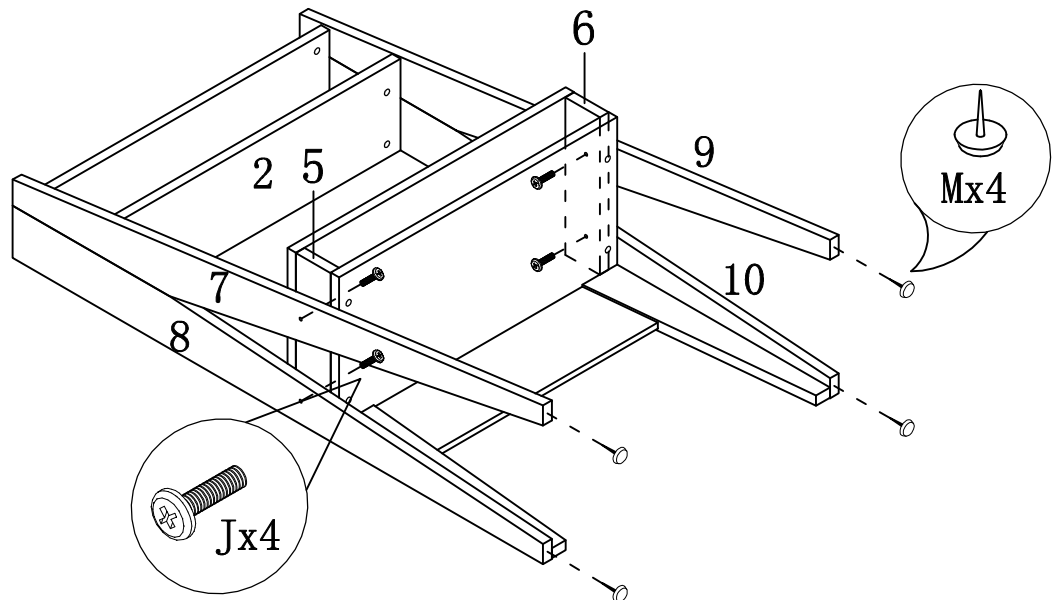
STEP 12

STEP 13



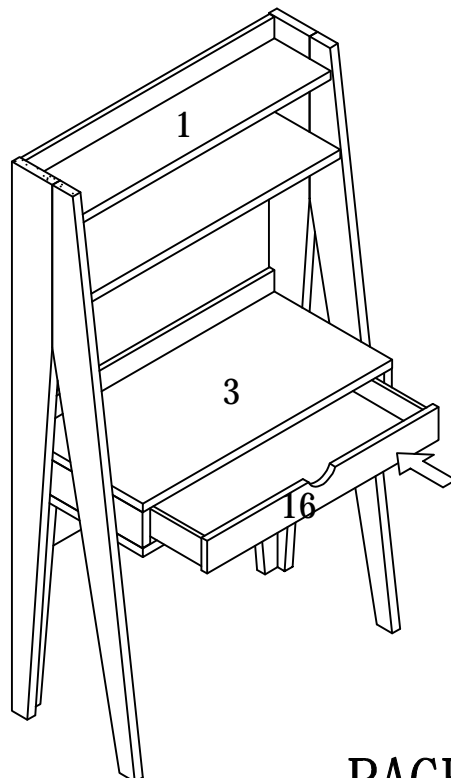
ASSEMBLY INSTRUCTION

ITEM#: 151288 192488 151267 212963



STEP 14

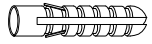
STEP 15



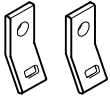
PAGE 9 OF 9

ANTI-TIPPING STRAP INSTRUCTION

HARDWARE (INCLUDED) :



DRYWALL ANCHOR $\phi 8 \times 40$ X 1PC



METAL BRACKETS $12 \times 12 \times 1$ X 2PCS



DRYWALL SCREW $\phi 5 \times 40$ X 1PC

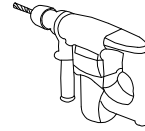


STRAP $197 \times 5 \times 1$ X 1PC

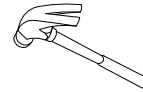


FLATHEAD SCREW $\phi 4 \times 25$ X 1PC

TOOLS NEEDED (NOT INCLUDED) :



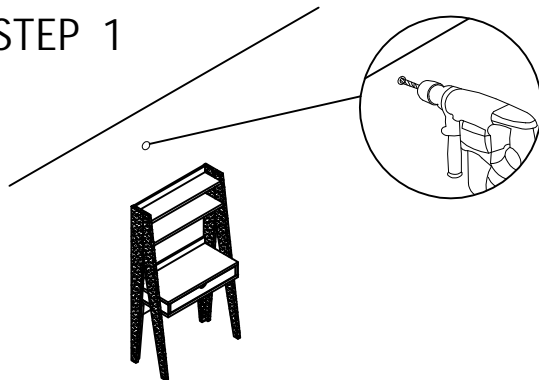
DRILL & DRILL BIT



LIGHT HAMMER

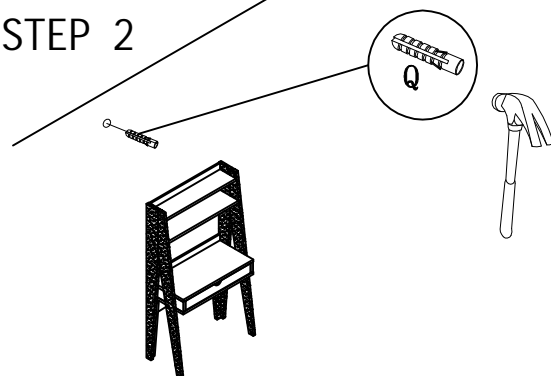
Note: Hardware included only compatible with standard drywalls.

STEP 1



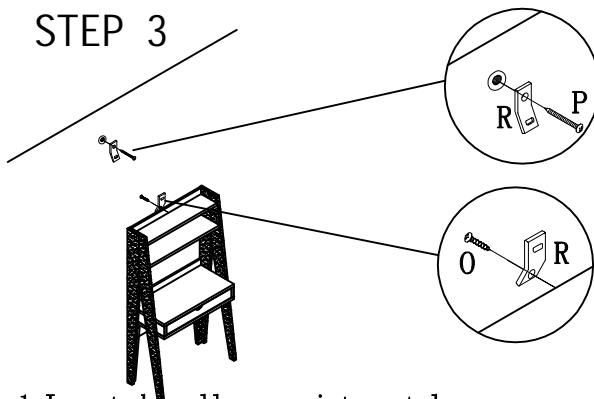
1. Find spot on wall 1" below top of item.
2. Using a drill bit slightly thinner than anchor, drill hole into drywall.

STEP 2



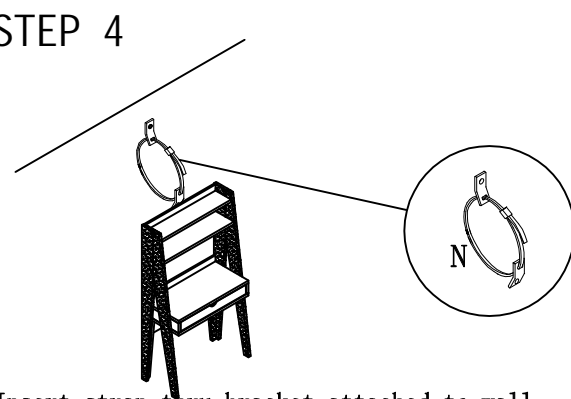
1. Use a light hammer to tap anchor into hole.
2. Anchor should fit snugly. If hole is too small, drill again to increase hole size. Do not force anchor into wall.

STEP 3



1. Insert drywall screw into metal bracket and into drywall anchor.
2. Insert flathead screw into second metal bracket and into back of item along top edge.

STEP 4



1. Insert strap thru bracket attached to wall, then thru bracket on item, and into head of strap.
 2. pull lightly til strap stops.
- Assembly is complete.