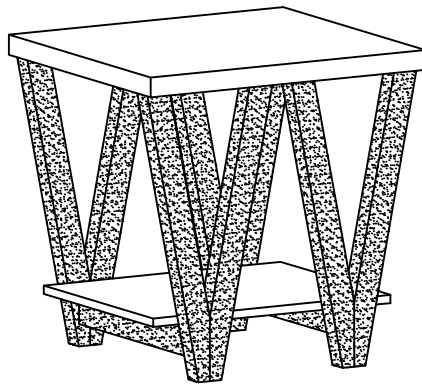
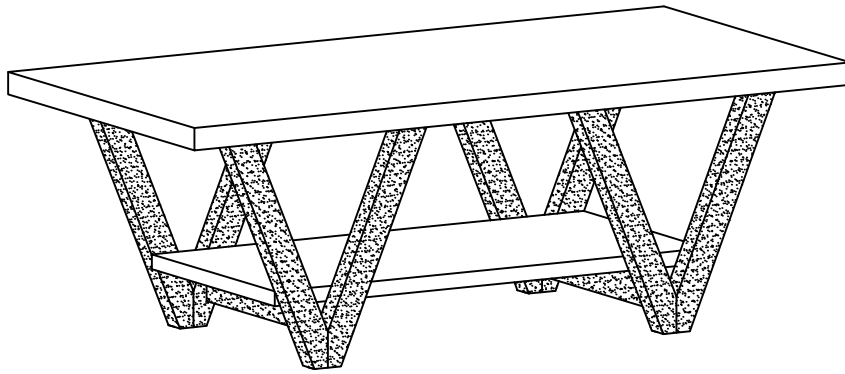


ASSEMBLY INSTRUCTION

ITEM#: 151343-X2



ASSEMBLY INSTRUCTION

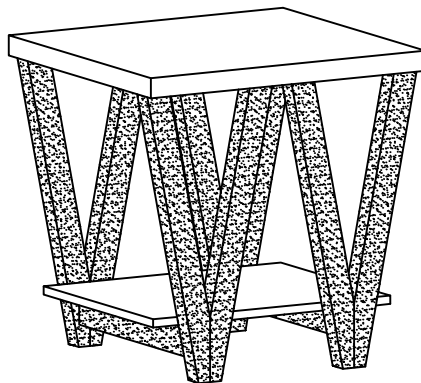
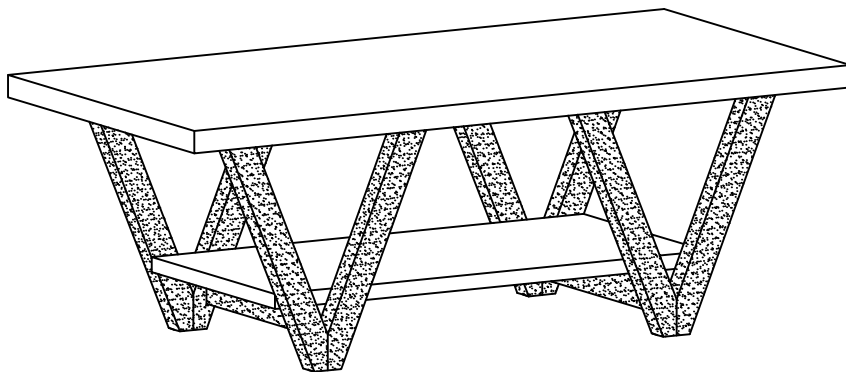
PLEASE READ BEFORE ASSEMBLING!

Tip #1: Make sure you've taken all the pieces and hardware out of its packaging before discarding the box. Assembly on top of flattened box/blanket is recommended.

Tip #2: Using page 2 and/or page 3 of instruction manual make sure all pieces and hardware are accounted for.

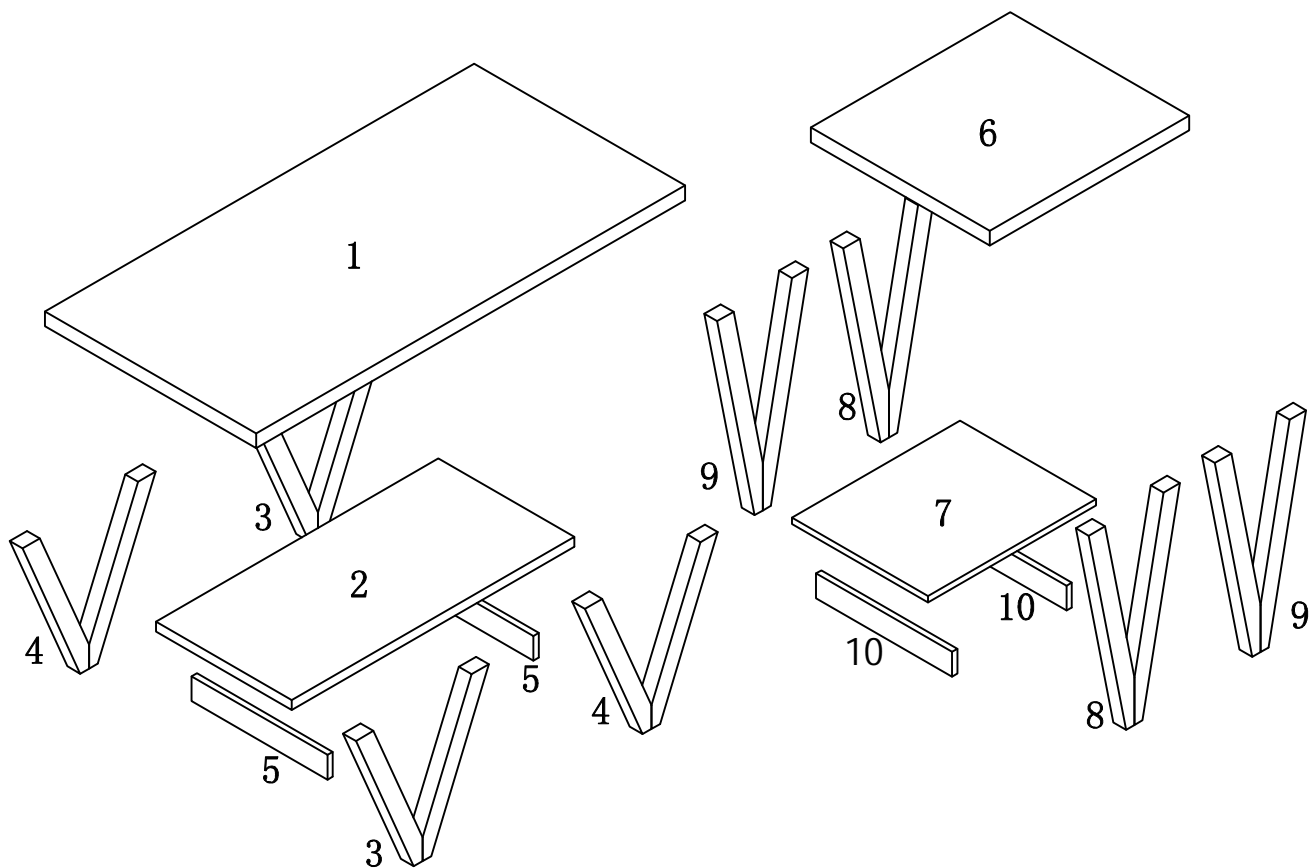
Tip #3: Note position of all holes on each panel during assembly .

ITEM#: 151343-X2



PARTS IDENTIFICATION






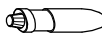
ITEM#: 151343-X2



(1)	1pc	(9)	2pcs
(2)	1pc	(10)	2pcs
(3)	2pcs		
(4)	2pcs		
(5)	2pcs		
(6)	1pc		
(7)	1pc		
(8)	2pcs		

HARDWARE IDENTIFICATION

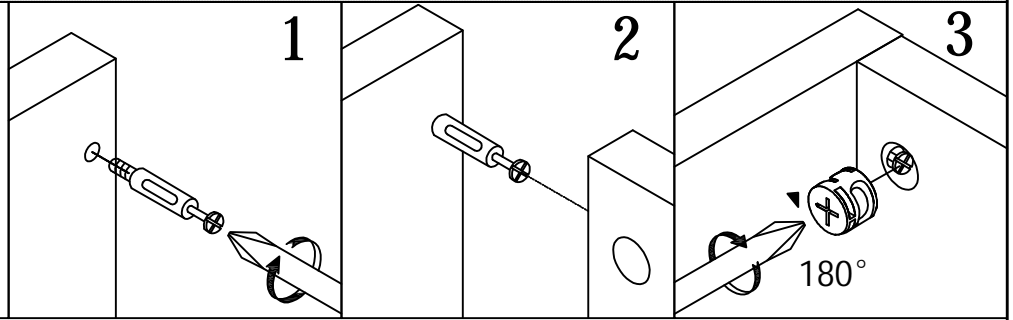
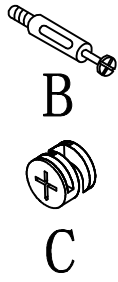
ITEM#: 151343-X2

A		□8x25	8PCS
B		L29	48PCS
C		□15	48PCS
D		□20	32PCS
E		□16	8PCS
F		Glue: For securing please apply to wood dowel first before inserting into panel	1PC

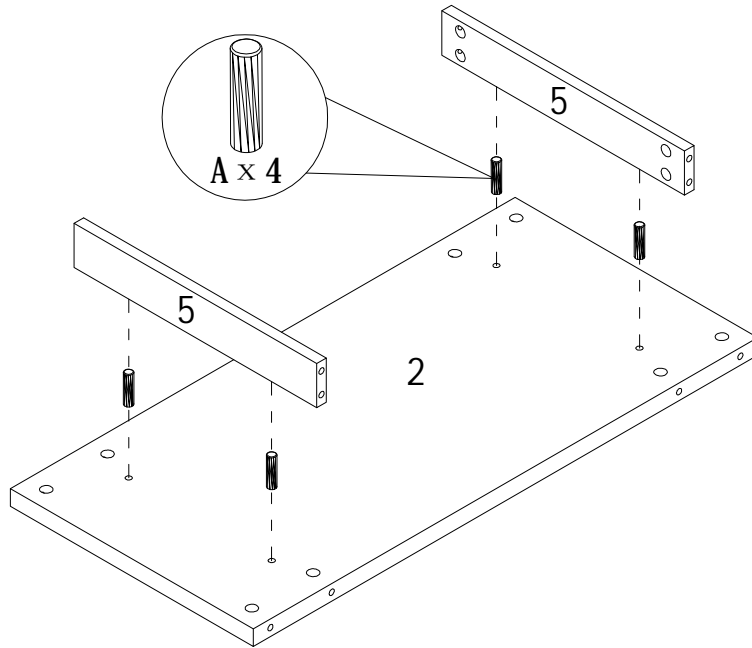
ASSEMBLY INSTRUCTION

ITEM#: 151343-X2

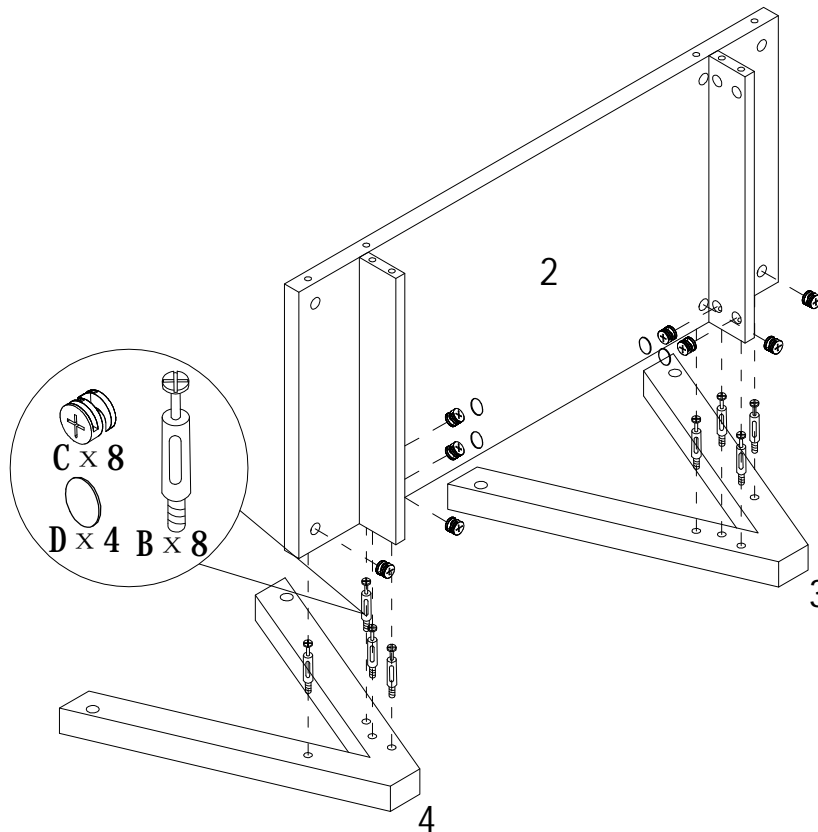
HOW TO



STEP 1

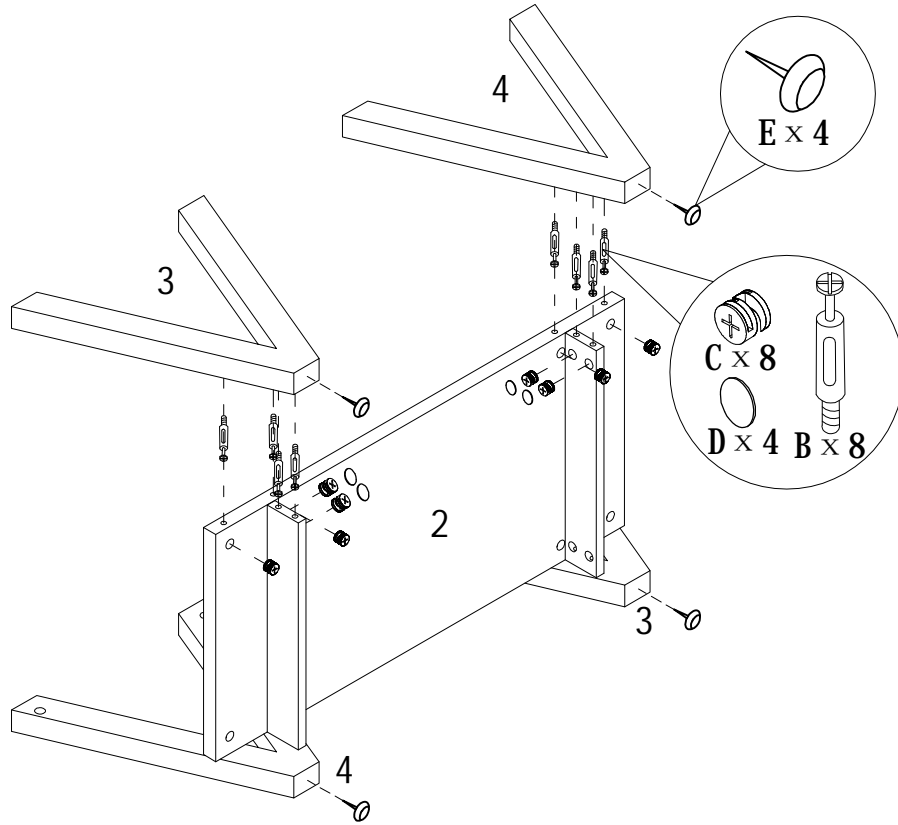


STEP 2



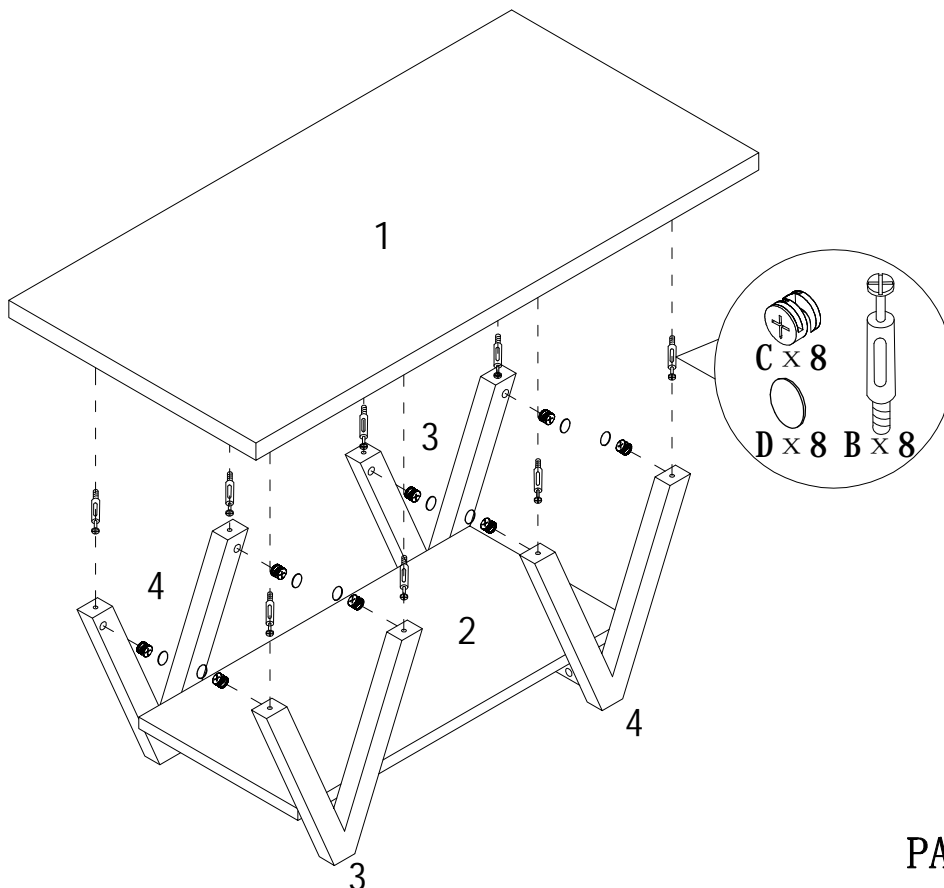
ASSEMBLY INSTRUCTION

ITEM#: 151343-X2



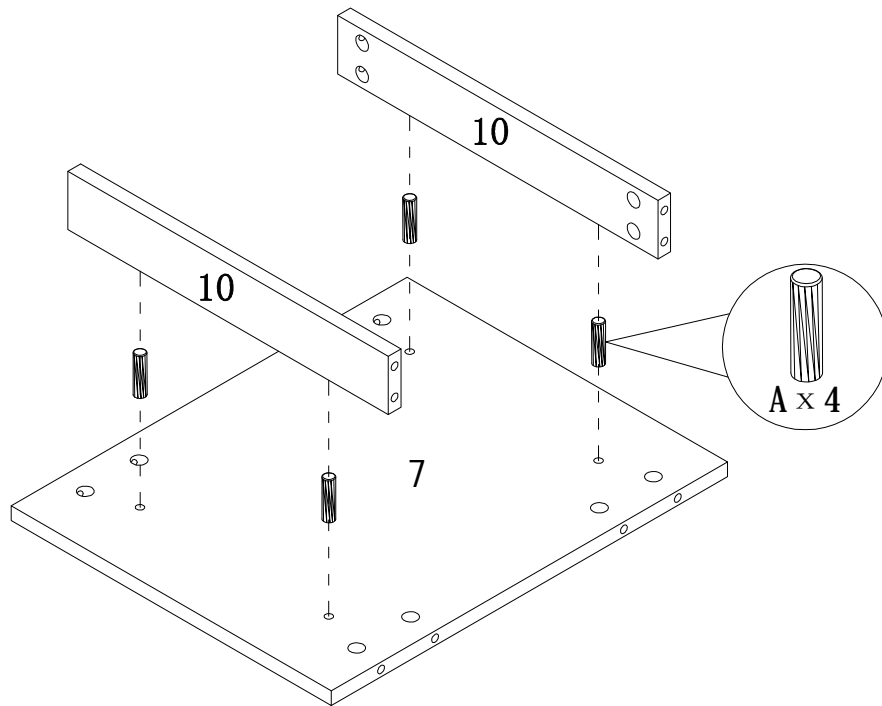
STEP3

STEP4



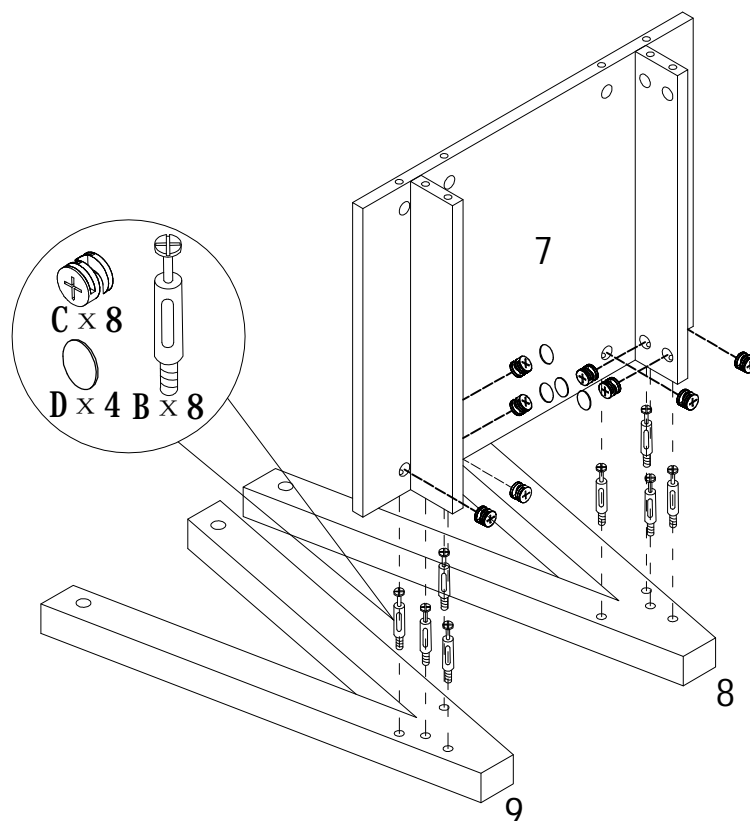
ASSEMBLY INSTRUCTION

ITEM#: 151343-X2



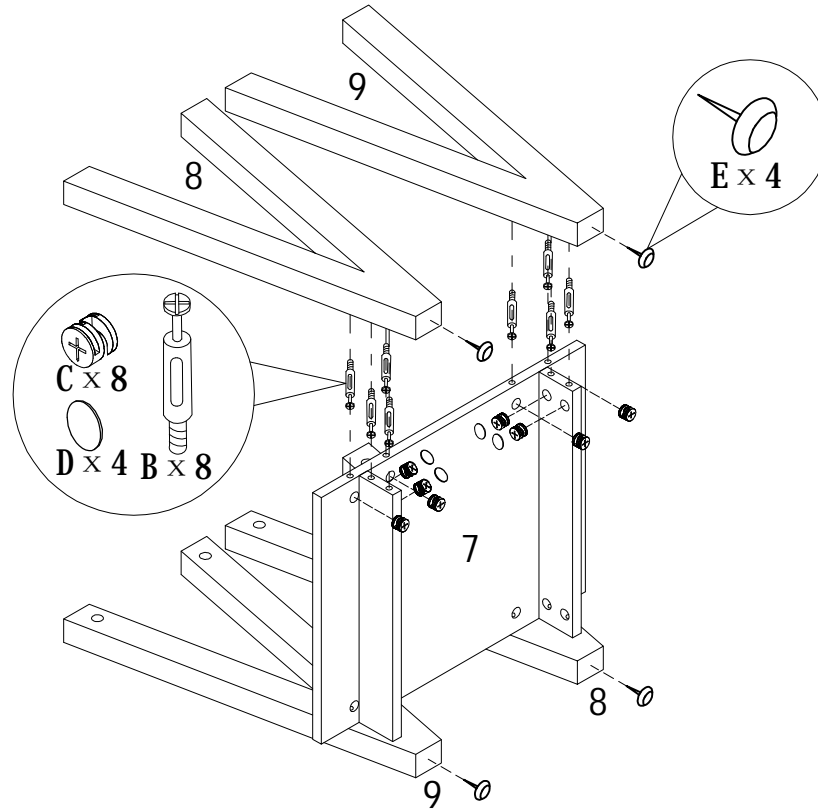
STEP 5

STEP 6



ASSEMBLY INSTRUCTION

ITEM#: 151343-X2



STEP 7

STEP 8

