

# ASSEMBLY INSTRUCTION

---

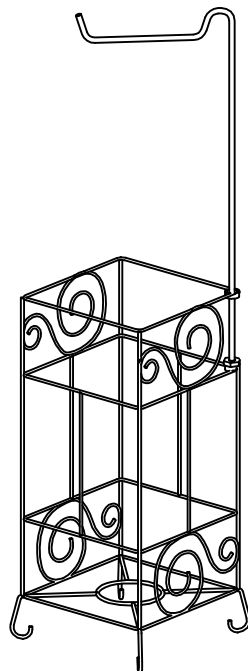
## **PLEASE READ BEFORE ASSEMBLING!**

Tip #1: Make sure you've taken all the pieces and hardware out of its packaging before discarding the box.

Tip #2: Using page 2 and/or page 3 of instruction manual make sure all pieces and hardware are accounted for.

Tip #3: Read manual before assembling, it helps!

ITEM#: 223095 223096 223097



# PARTS IDENTIFICATION

ITEM#: 223095 223096 223097

A



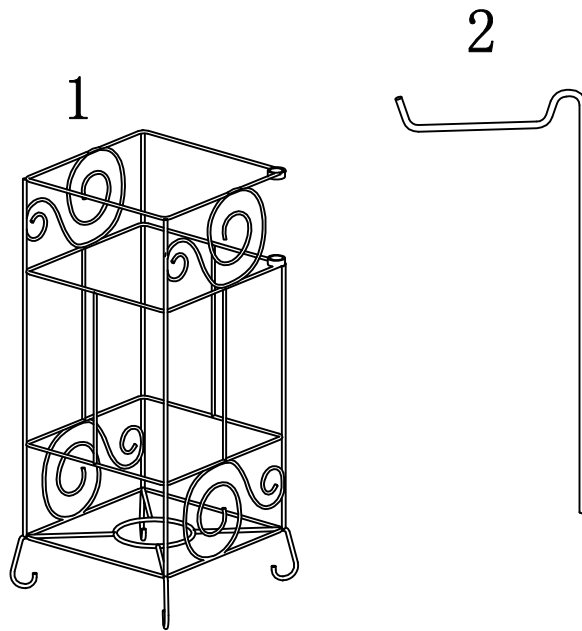
M5

1PC

B



1PC



- (1) 1pcs
- (2) 1pcs

