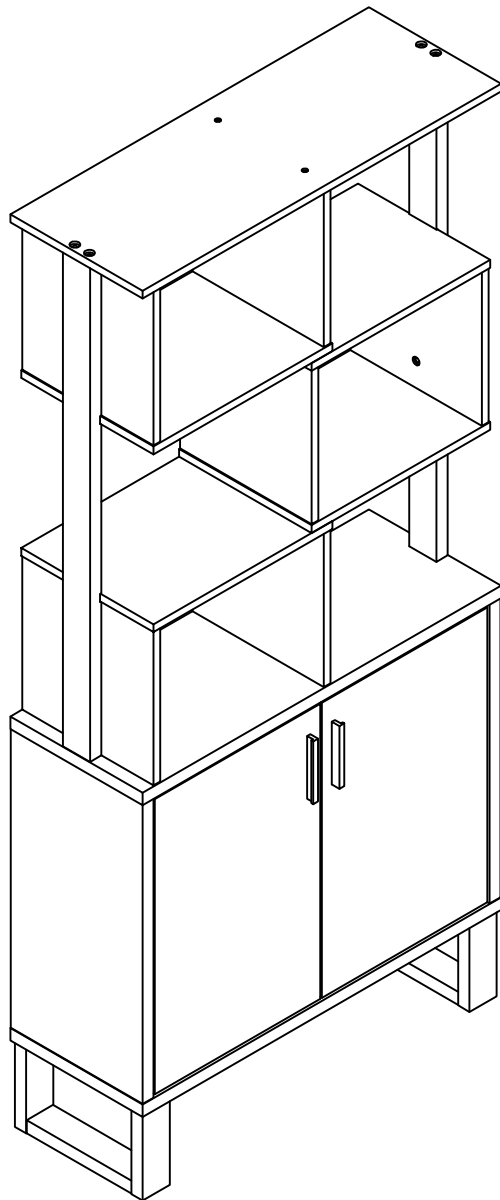


# ASSEMBLY INSTRUCTION

---

ITEM#: 212876



# ASSEMBLY INSTRUCTION

---

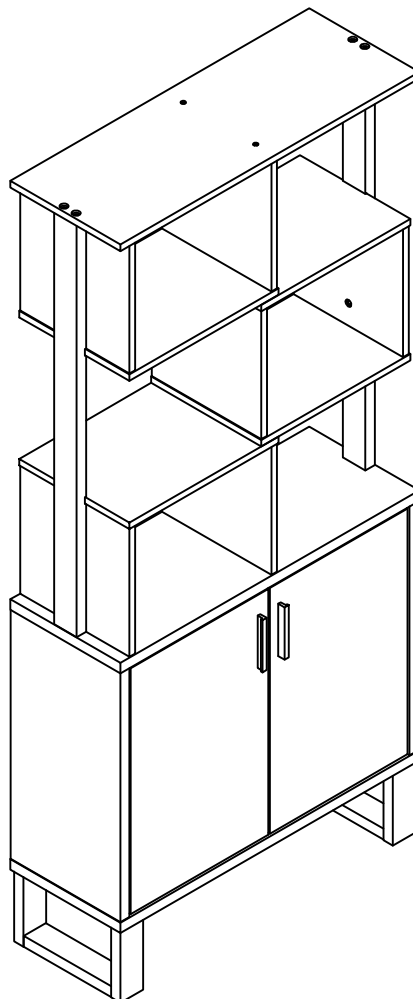
## PLEASE READ BEFORE ASSEMBLING!

Tip #1: Make sure you've taken all the pieces and hardware out of its packaging before discarding the box.

Tip #2: Using page 2 and/or page 3 of instruction manual make sure all pieces and hardware are accounted for.

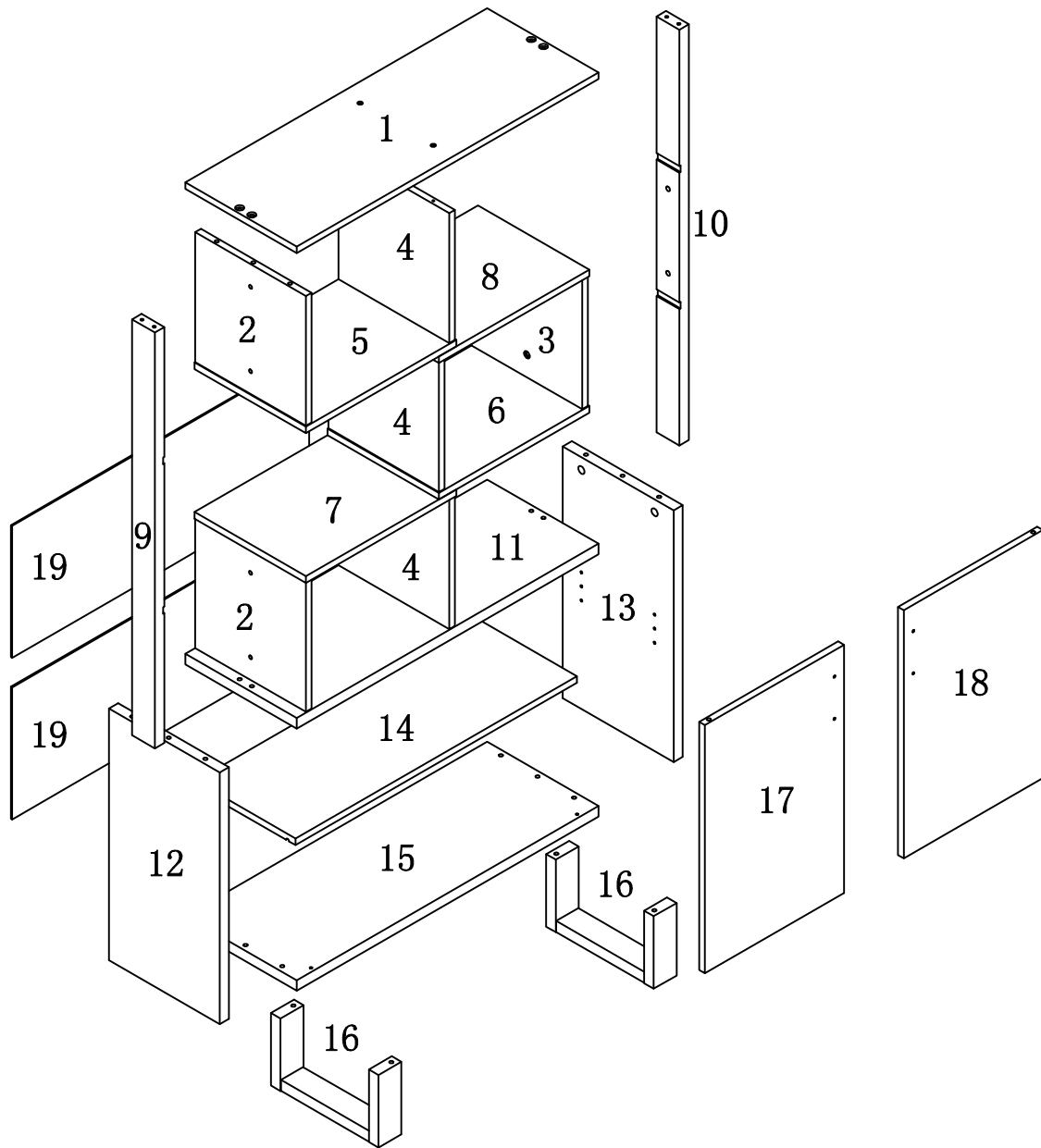
Tip #3: Read manual before assembling, it helps!

ITEM#: 212876



# PARTS IDENTIFICATION




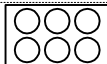
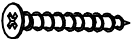



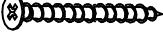



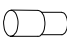
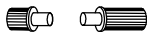
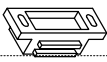

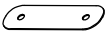

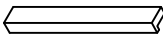




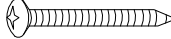

ITEM#:212876



(1)	1pc	(7)	1pc	(13)	1pc	(19)	2pcs
(2)	2pcs	(8)	1pc	(14)	1pc		
(3)	1pc	(9)	1pc	(15)	1pc		
(4)	3pcs	(10)	1pc	(16)	2pcs		
(5)	1pc	(11)	1pc	(17)	1pc		
(6)	1pc	(12)	1pc	(18)	1pc		

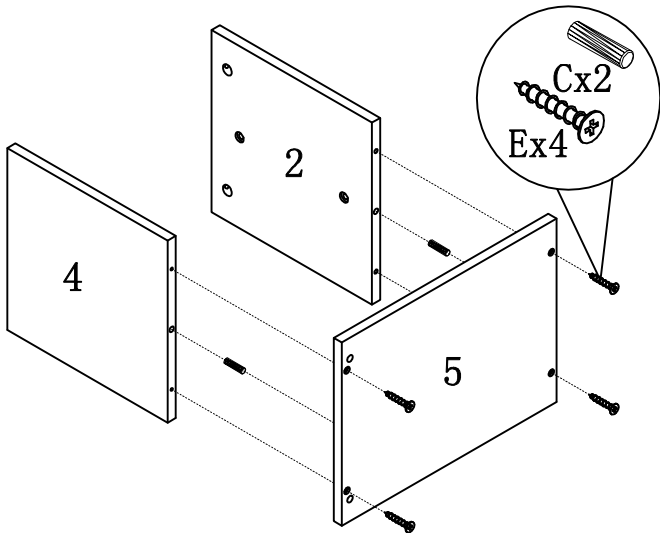
# HARDWARE IDENTIFICATION

ITEM#:212876

A		L29	18pcs
B		φ15	18pcs
C		φ8x25	16pcs
D		φ22	22pcs
E		φ4x35	14pcs
F		M6x20	10pcs
G		φ7x48	12pcs
H		φ8xφ16x2	12pcs
I		φ4x50	4pcs
J		φ22	4pcs
K			30pcs
L		φ16	4pcs
M		φ5x15	4pcs
N			2pcs
O			2pcs
P		φ3x16	4pcs
Q			2pcs
R		φ3x12	4pcs
S		96#	2pcs
T		φ4x22	4pcs
U		197x5x1	1pc
V		φ8x40	1pc
W		12x12x1	2pcs
X		φ5x40	1pc
Y		φ4x25	1pc

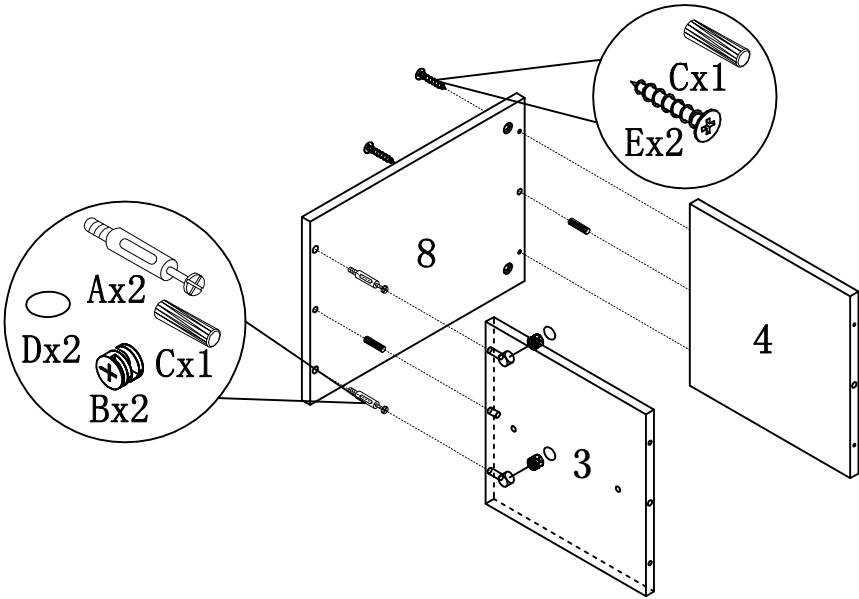
# ASSEMBLY INSTRUCTION

ITEM#: 212876



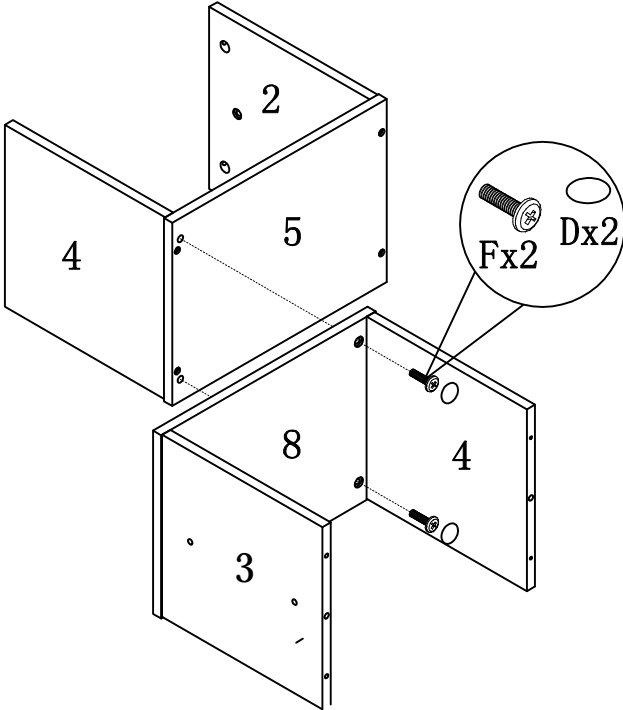
STEP 1

STEP 2



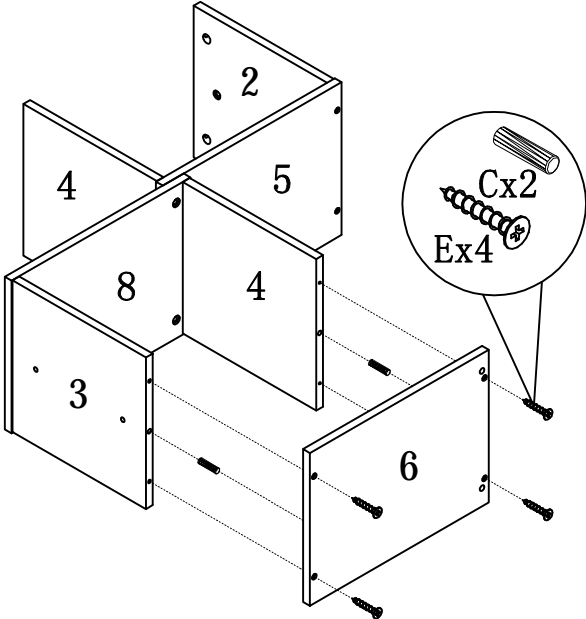
# ASSEMBLY INSTRUCTION

ITEM#: 212876



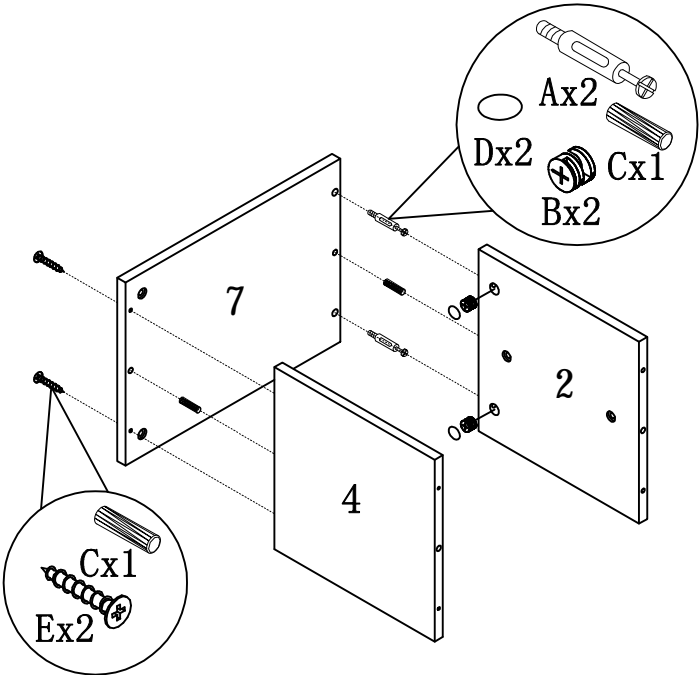
STEP3

STEP4



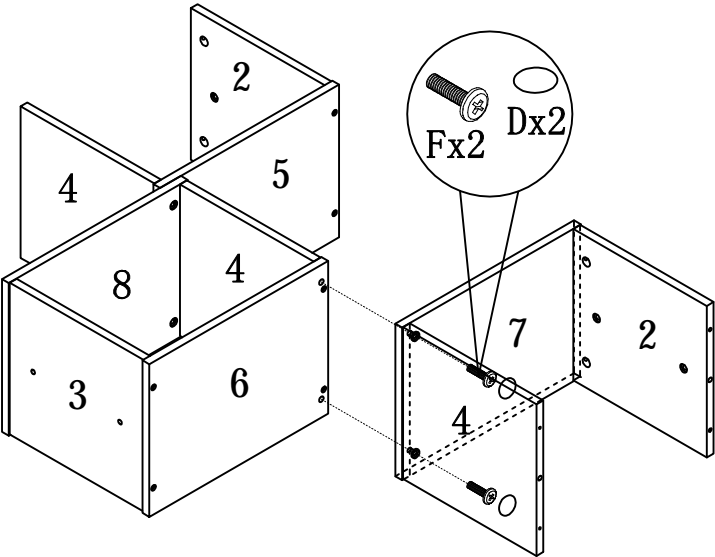
# ASSEMBLY INSTRUCTION

ITEM#: 212876



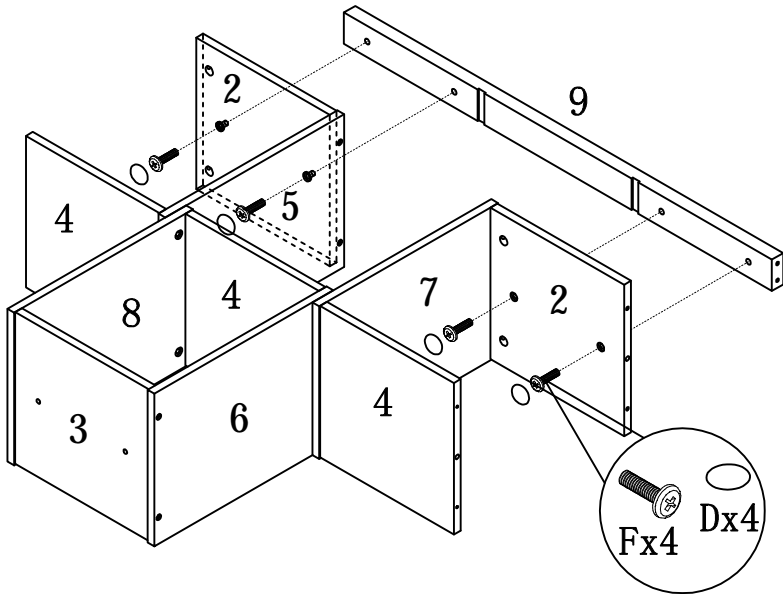
STEP5

STEP6



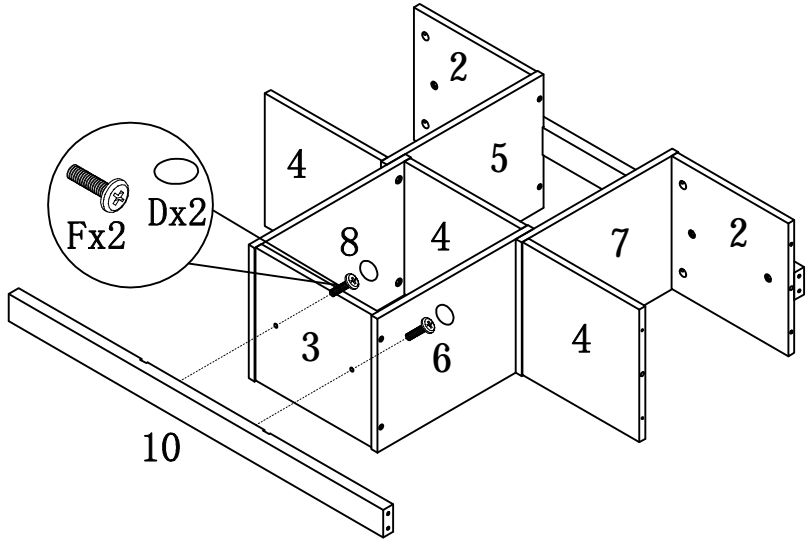
# ASSEMBLY INSTRUCTION

ITEM#: 212876



STEP7

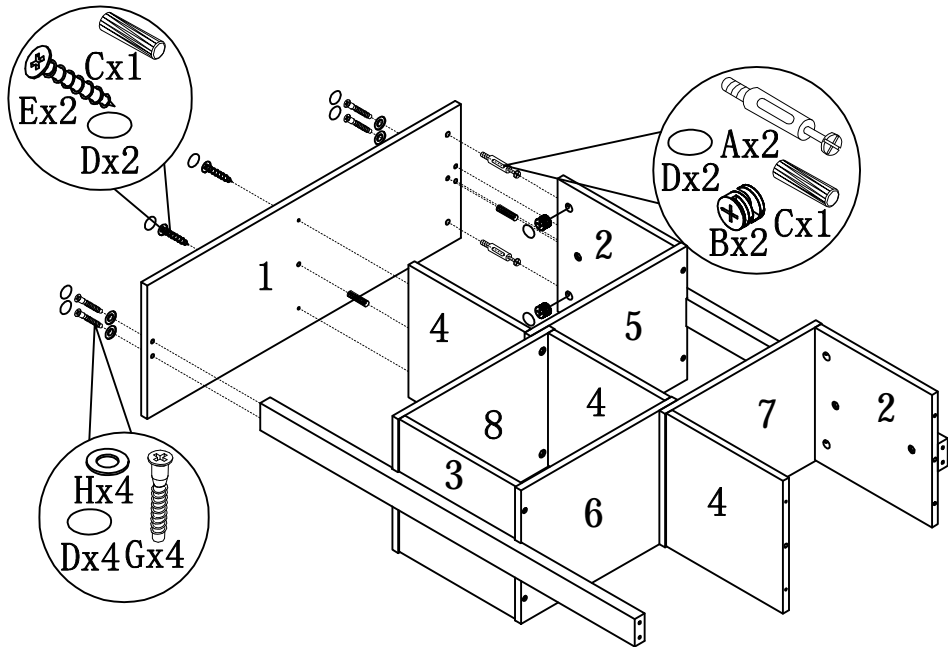
STEP8





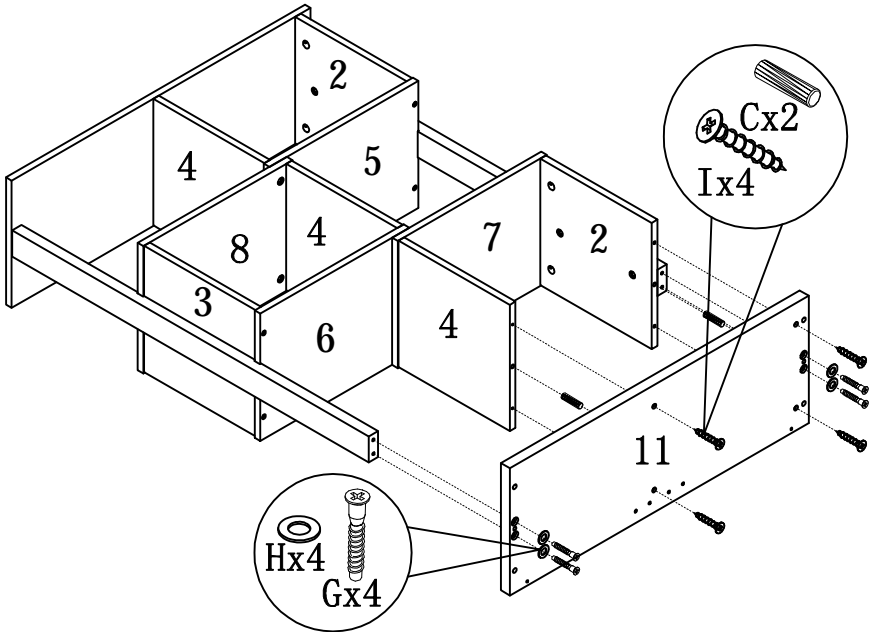
# ASSEMBLY INSTRUCTION

ITEM#: 212876



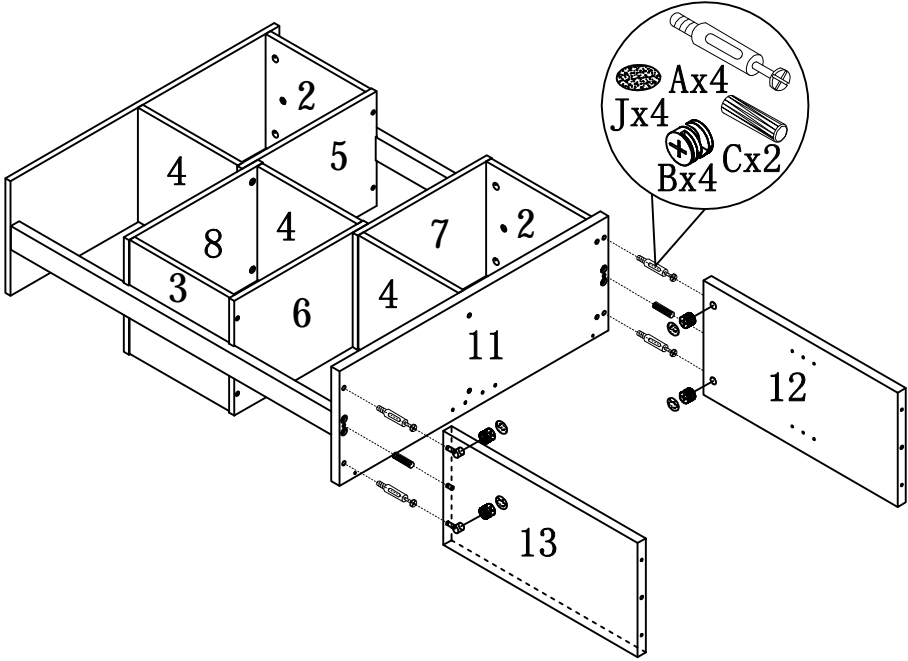
STEP9

STEP10



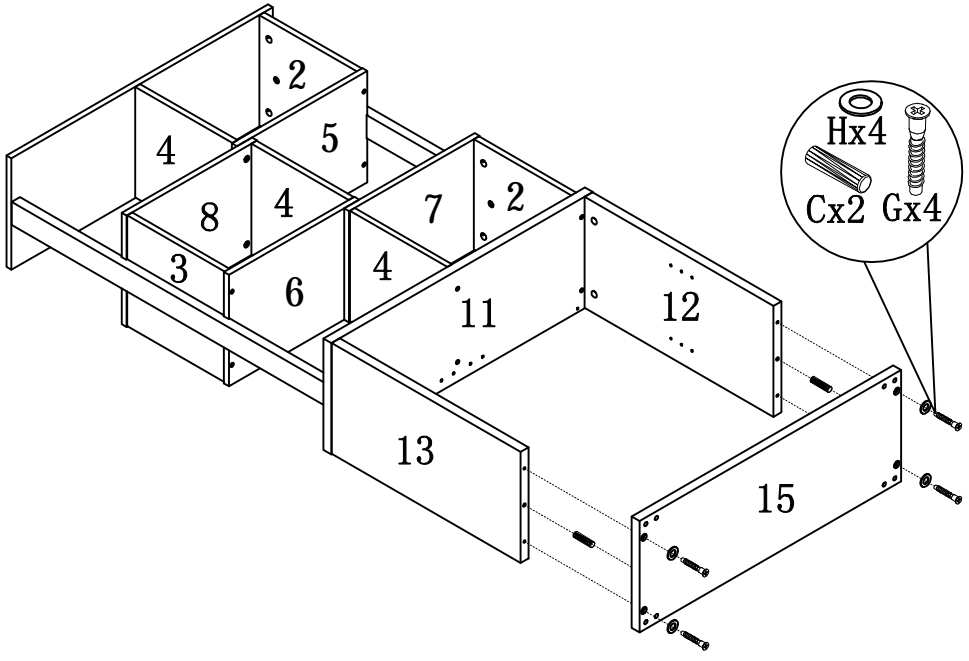
# ASSEMBLY INSTRUCTION

ITEM#: 212876



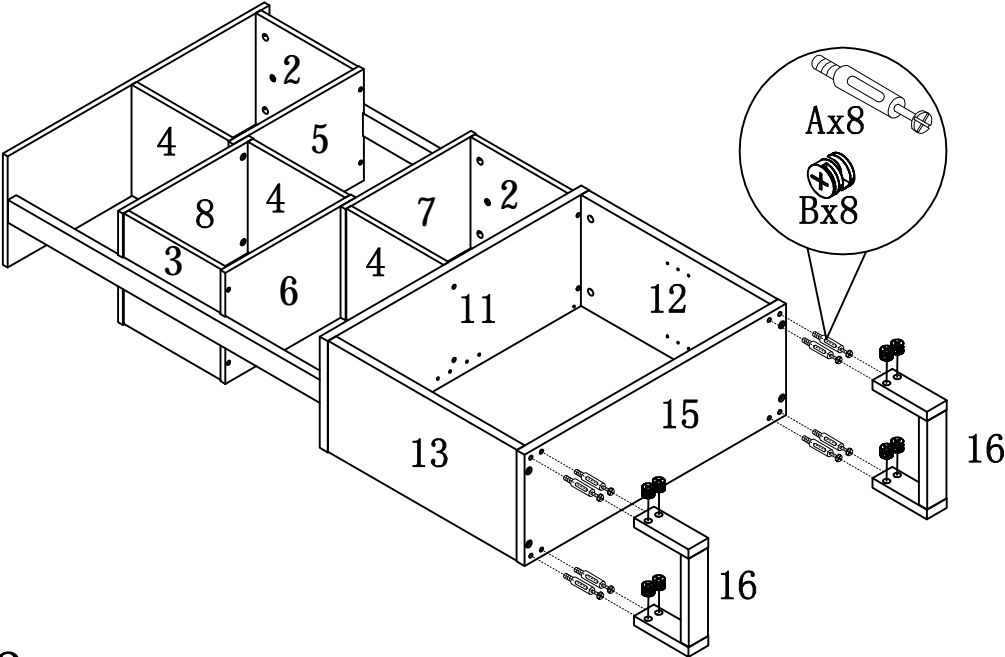
STEP 11

STEP 12



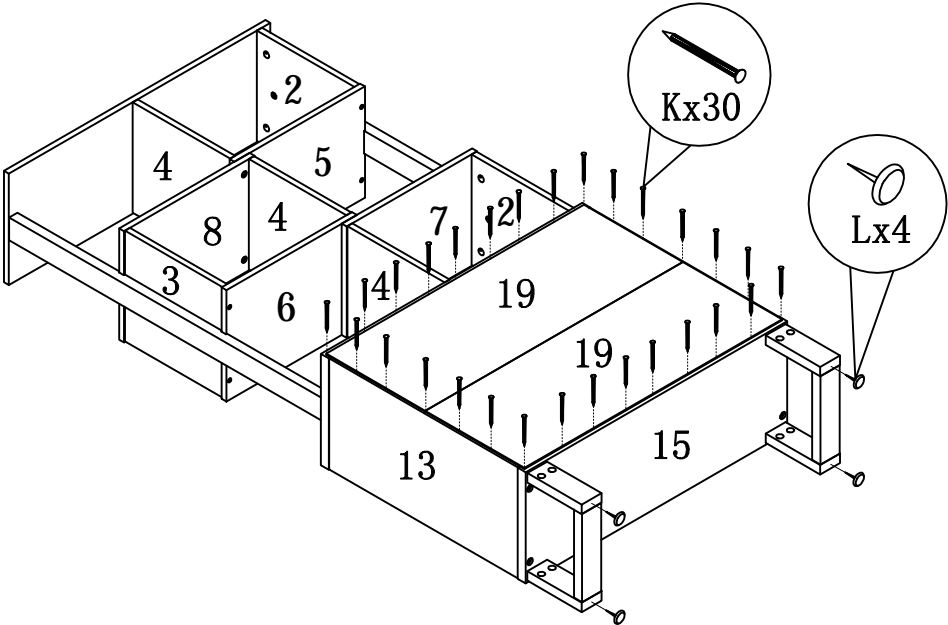
# ASSEMBLY INSTRUCTION

ITEM#: 212876



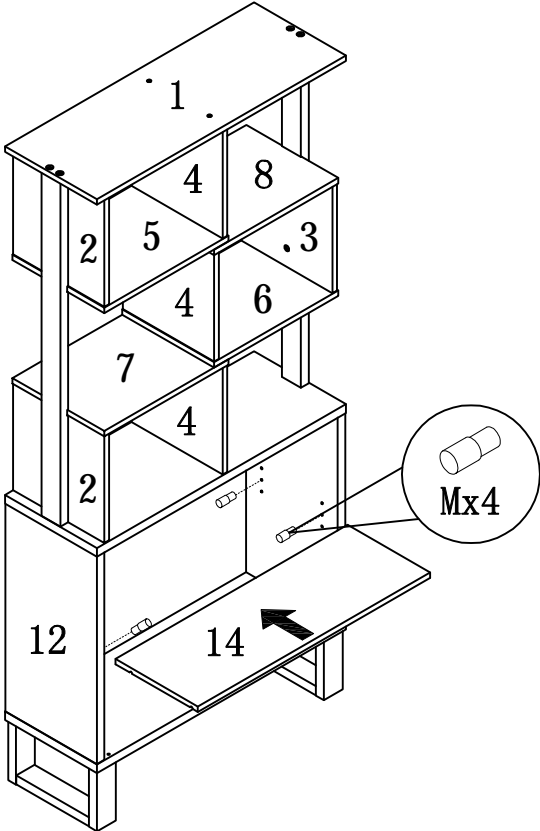
STEP13

STEP14



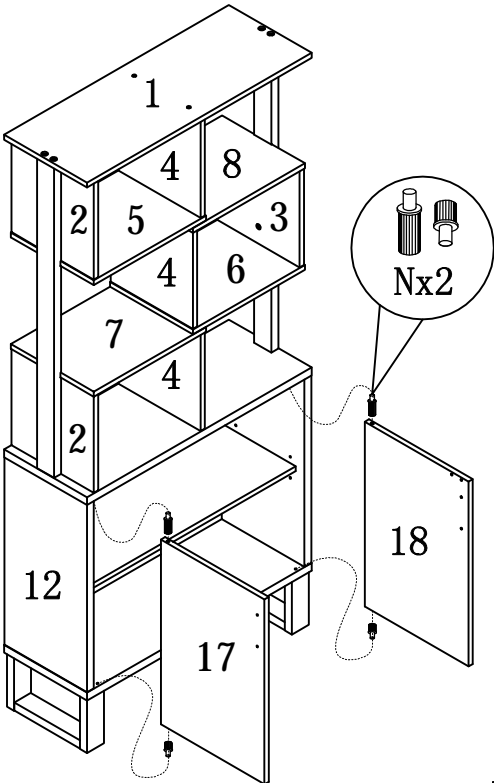
# ASSEMBLY INSTRUCTION

ITEM#: 212876



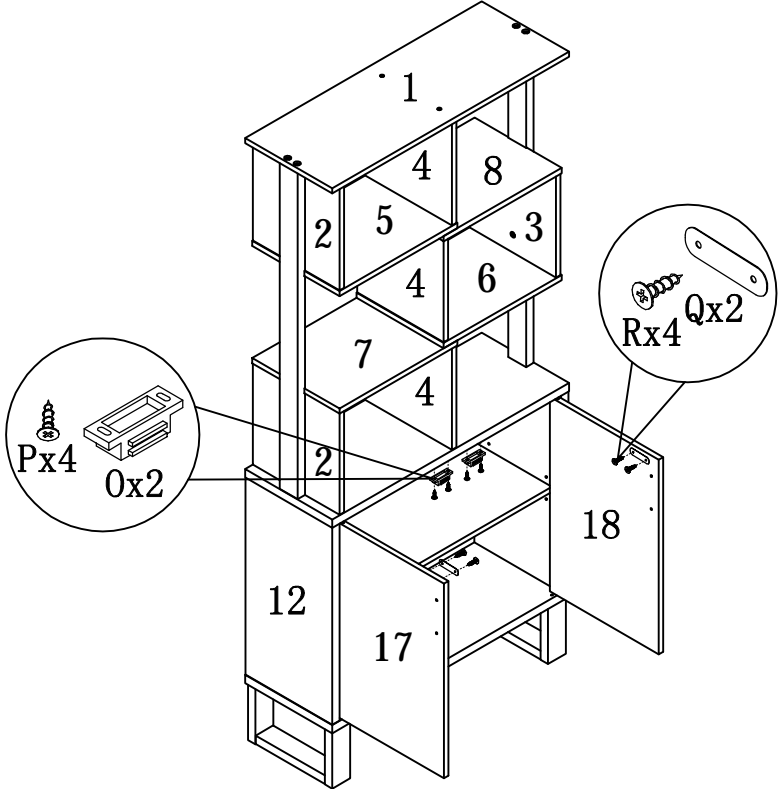
STEP 15

STEP 16



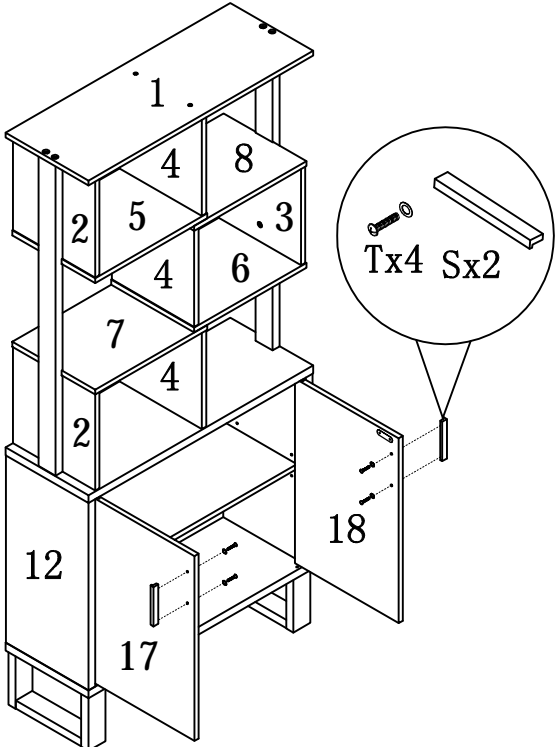
# ASSEMBLY INSTRUCTION

ITEM#: 212876



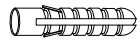
STEP 17

STEP 18

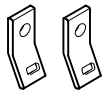


# ANTI-TIPPING STRAP INSTRUCTION

## HARDWARE (INCLUDED) :



DRYWALL ANCHOR  $\phi 8 \times 40$  X 1PC



METAL BRACKETS  $12 \times 12 \times 1$  X 2PCS



DRYWALL SCREW  $\phi 5 \times 40$  X 1PC

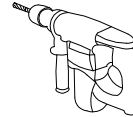


STRAP  $197 \times 5 \times 1$  X 1PC



FLATHEAD SCREW  $\phi 4 \times 25$  X 1PC

## TOOLS NEEDED ( NOT INCLUDED) :



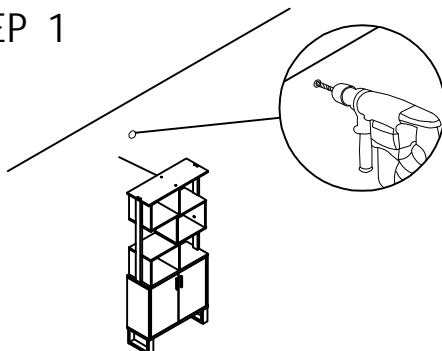
DRILL & DRILL BIT



LIGHT HAMMER

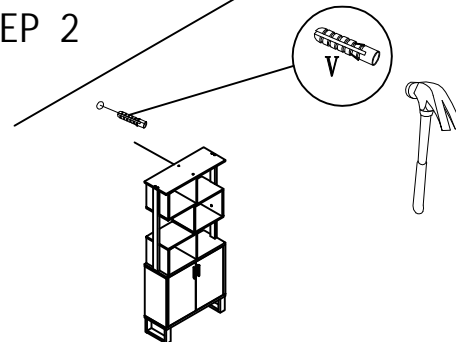
Note: Hardware included only compatible with standard drywalls.

### STEP 1



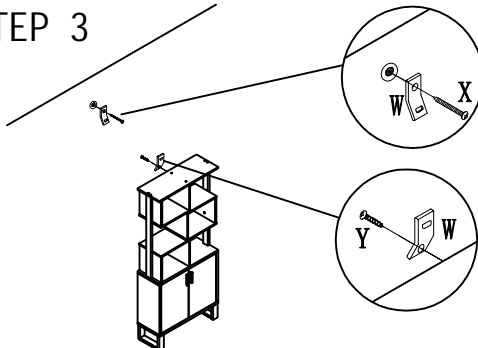
1. Find spot on wall 1" below top of item.
2. Using a drill bit slightly thinner than anchor, drill hole into drywall.

### STEP 2



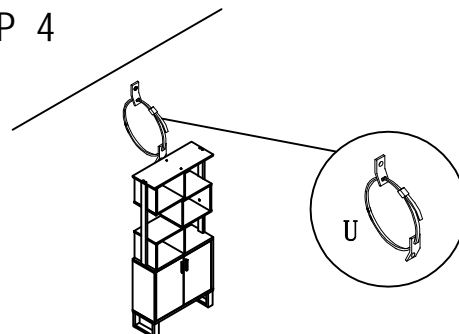
1. Use a light hammer to tap anchor into hole.
2. Anchor should fit snugly. If hole is too small, drill again to increase hole size. Do not force anchor into wall.

### STEP 3



1. Insert drywall screw into metal bracket and into drywall anchor.
2. Insert flathead screw into second metal bracket and into back of item along top edge.

### STEP 4



1. Insert strap thru bracket attached to wall, then thru bracket on item, and into head of strap.
  2. pull lightly til strap stops.
- Assembly is complete.