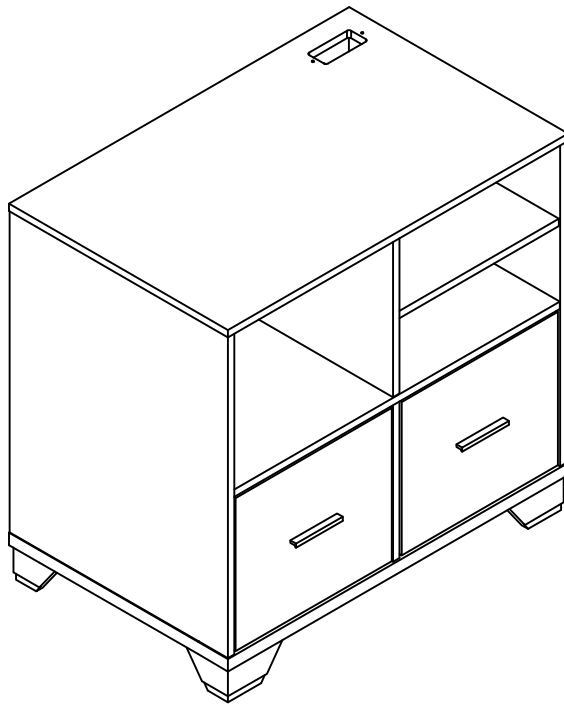


ASSEMBLY INSTRUCTION

ITEM#: 202830 202831 202832



ASSEMBLY INSTRUCTION

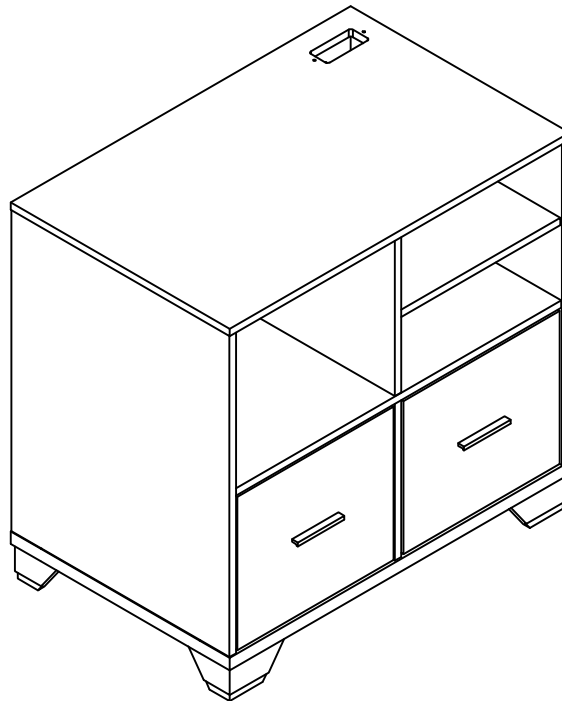
PLEASE READ BEFORE ASSEMBLING!

Tip #1: Make sure you've taken all the pieces and hardware out of its packaging before discarding the box. Assembly on top of flattened box/blanket is recommended.

Tip #2: Using page 2 and/or page 3 of instruction manual make sure all pieces and hardware are accounted for.

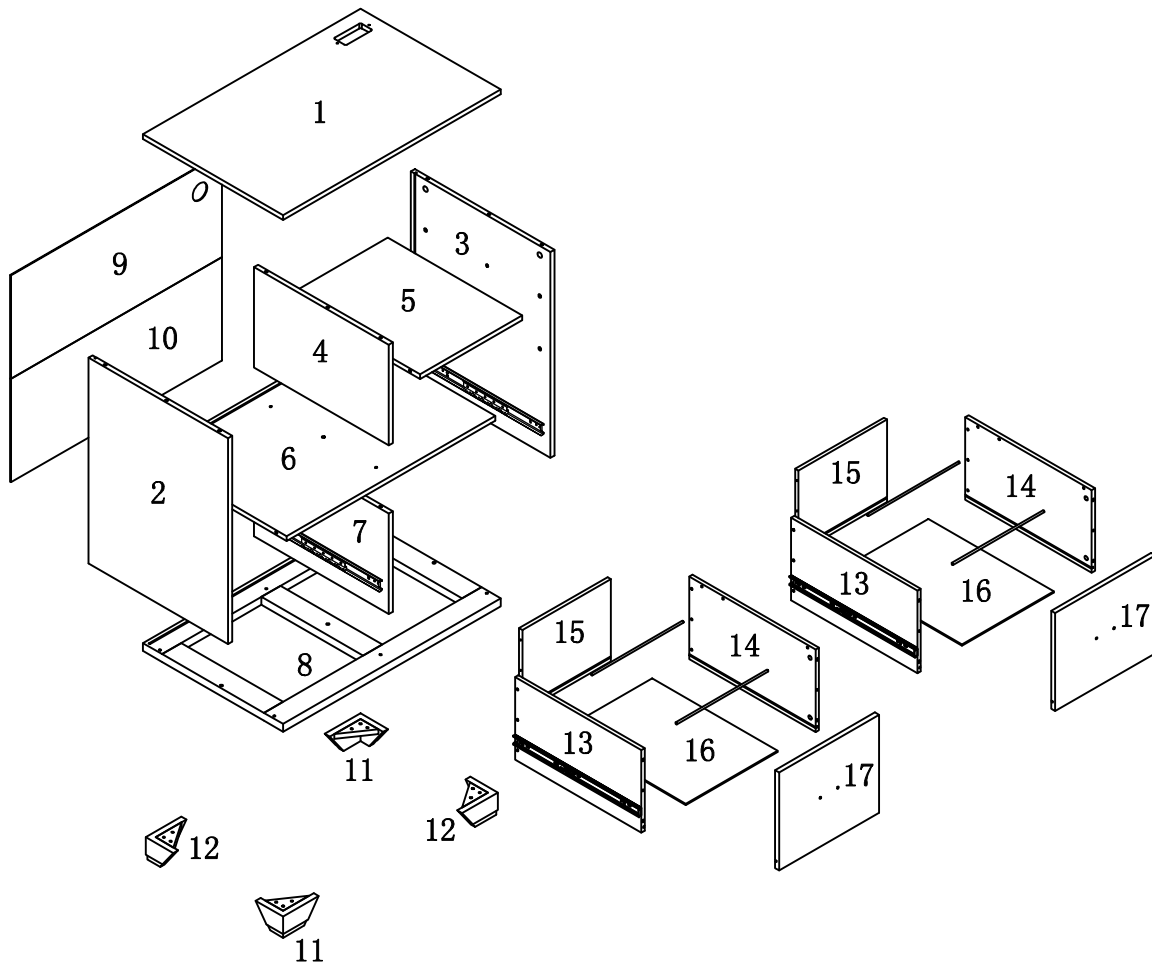
Tip #3: Note position of all holes on each panel during assembly.

ITEM#: 202830 202831 202832



PARTS IDENTIFICATION



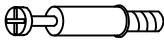




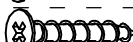
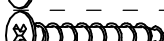









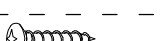
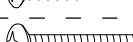
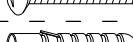

ITEM#: 202830 202831 202832



(1)	1pc	(7)	1pc	(13)	2pcs
(2)	1pc	(8)	1pc	(14)	2pcs
(3)	1pc	(9)	1pc	(15)	2pcs
(4)	1pc	(10)	1pc	(16)	2pcs
(5)	1pc	(11)	2pcs	(17)	2pcs
(6)	1pc	(12)	2pcs		

HARDWARE IDENTIFICATION

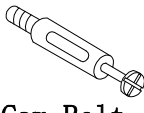
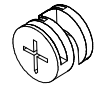
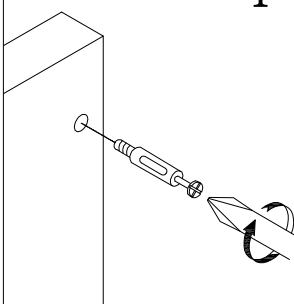
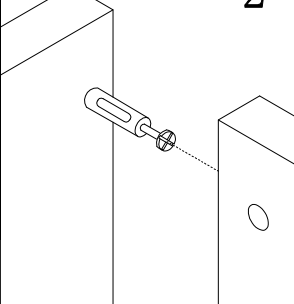
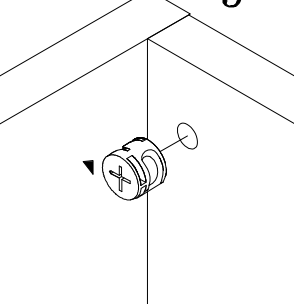
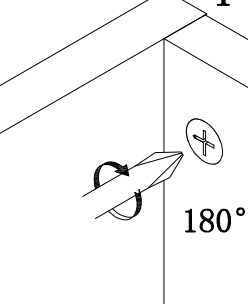
ITEM#: 202830 202831 202832

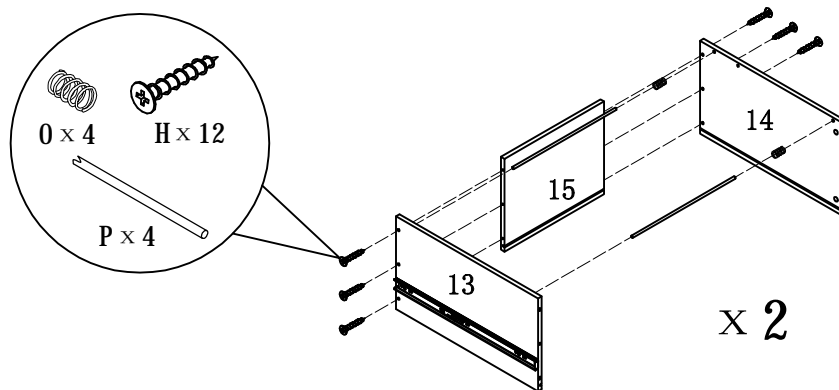
ITEM#	202830	202831	202832
A		L29	16pcs
B		ø15	16pcs
C		L20	8pcs
D		ø12	8pcs
E		ø8x25	12pcs
F		ø6x30	4pcs
G		ø3.5x12	2pcs
H		ø4x30	24pcs
I		ø4x45	8pcs
J		ø22	10pcs
K		ø16	8pcs
L			2pcs
M		M4x22	4pcs
N			1pc
O		ø5x9	4pcs
P		ø5x329	4pcs
Q		197x5x1	1pc
R		ø4x25	1pc
S		ø5x40	1pc
T		ø8 x 40	1pc
U		12x12x1	2pcs
V			1pc

Glue: For securing please apply to wood dowel first before inserting into panel

ASSEMBLY INSTRUCTION

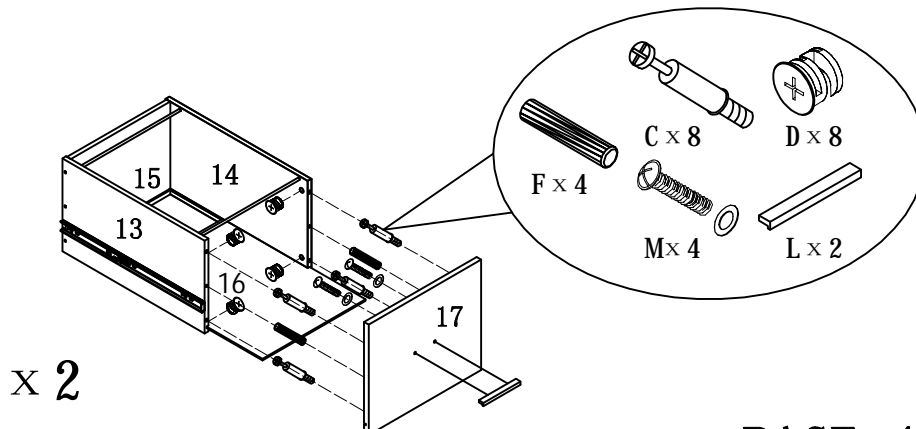
ITEM#: 202830 202831 202832

HOW TO	1	2	3	4
 Cam Bolt  Cam Lock				
	1. Screw Cam Bolt into panel.	2. Insert Cam Bolt into bolt hole of joining panel.	3. Insert Cam Lock. arrow facing bolt.	4. Gently turn Cam Lock clockwise to lock position.



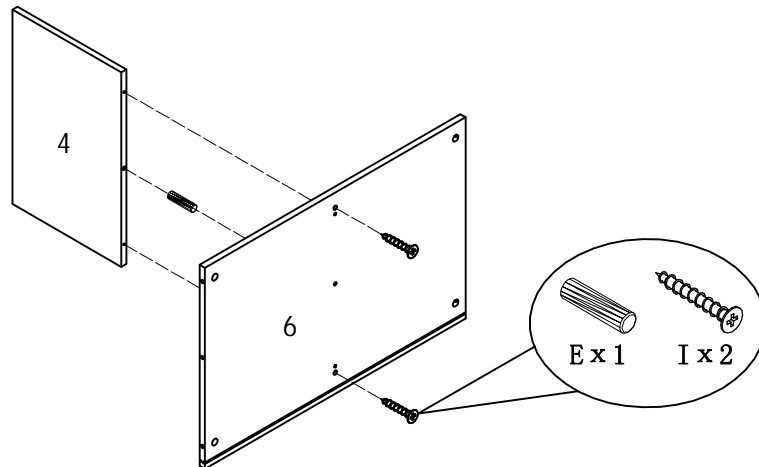
STEP 1

STEP 2



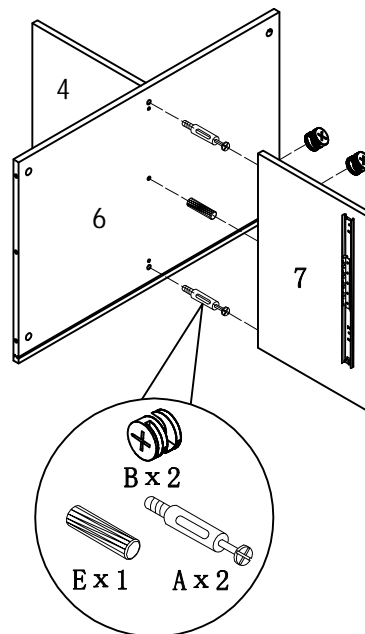
ASSEMBLY INSTRUCTION

ITEM#: 202830 202831 202832



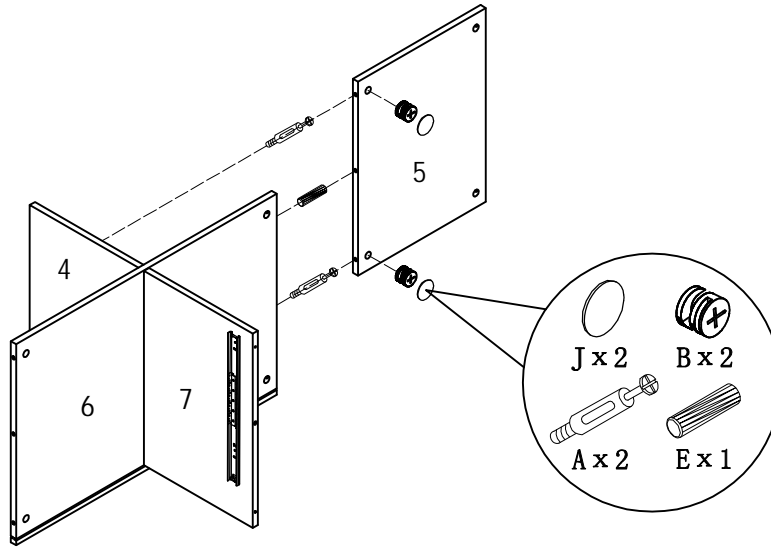
STEP3

STEP4



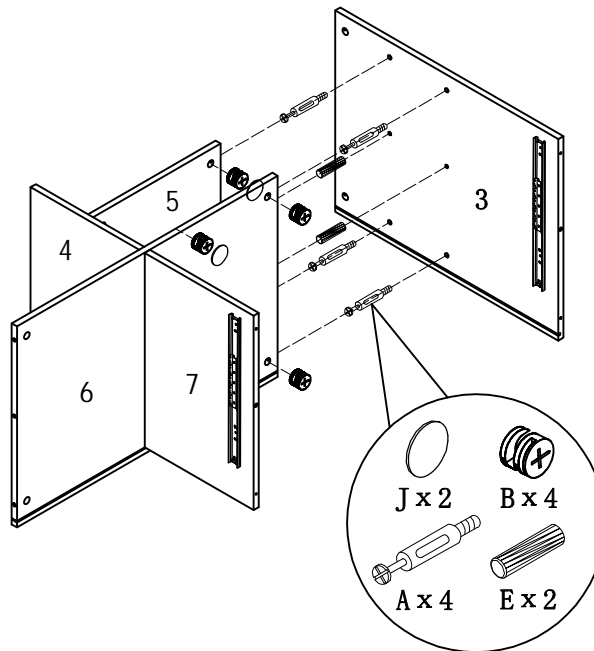
ASSEMBLY INSTRUCTION

ITEM#: 202830 202831 202832



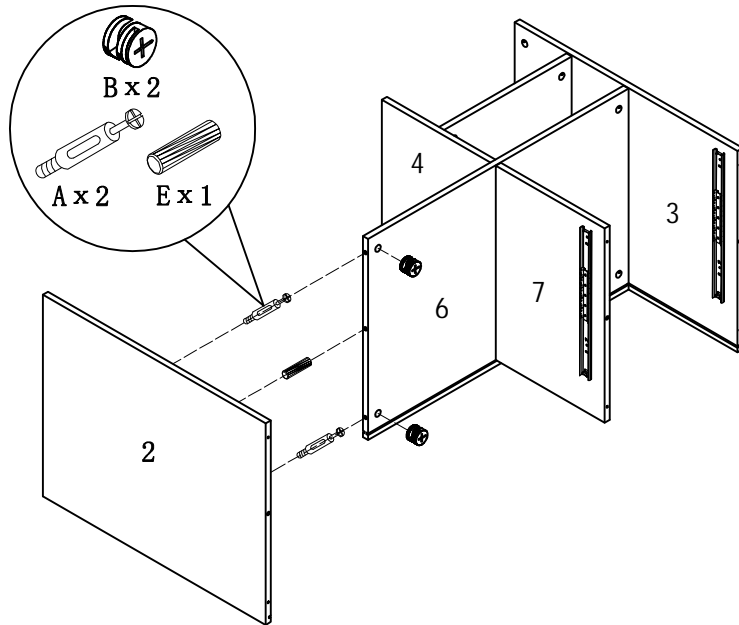
STEP5

STEP6



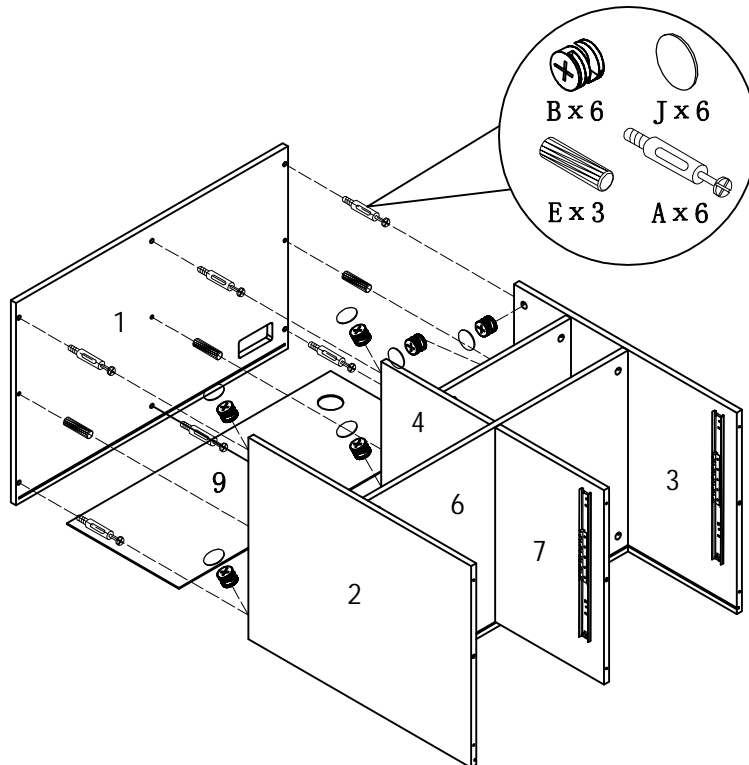
ASSEMBLY INSTRUCTION

ITEM#: 202830 202831 202832



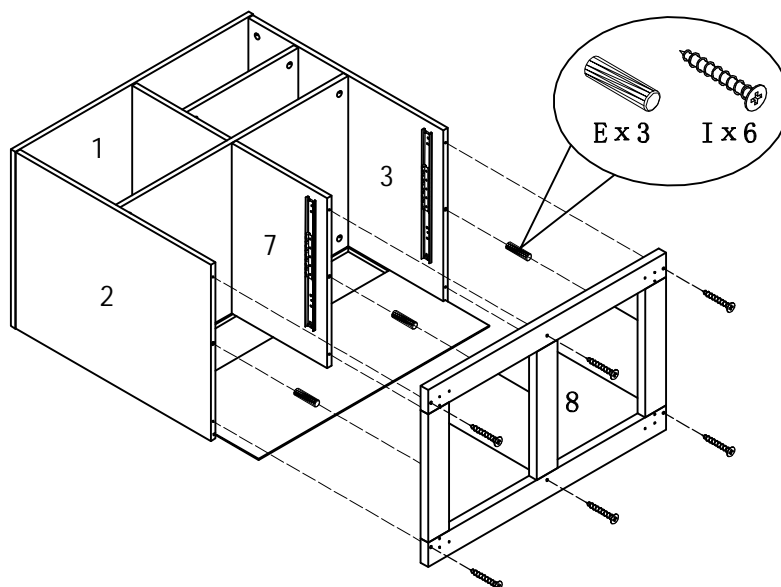
STEP 7

STEP 8



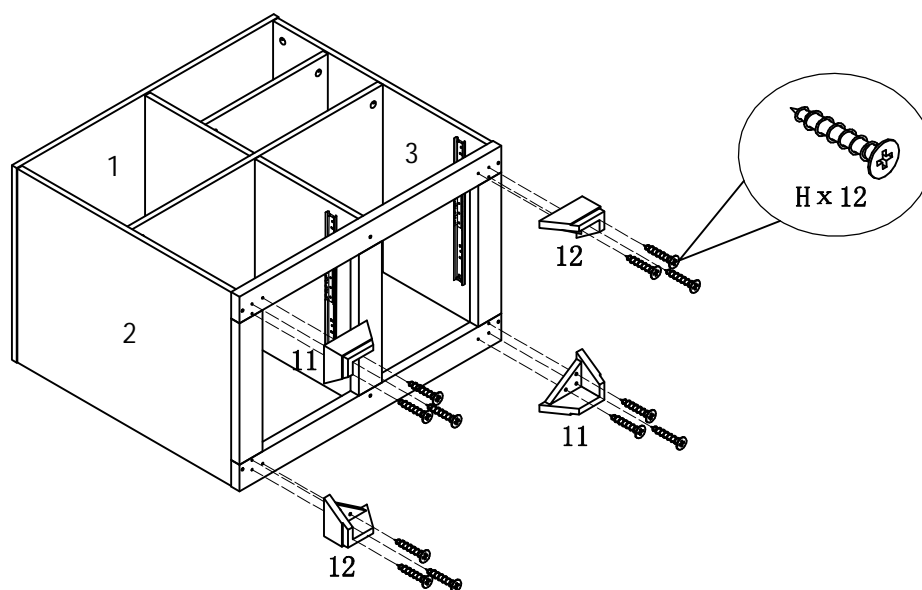
ASSEMBLY INSTRUCTION

ITEM#: 202830 202831 202832



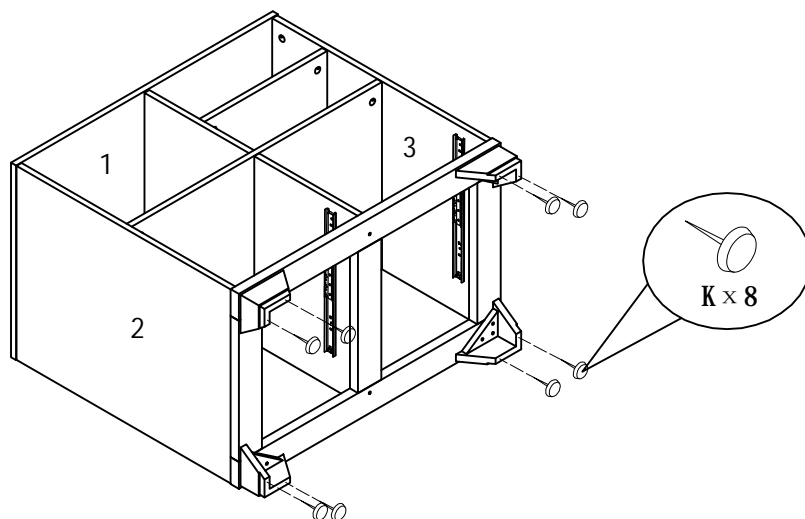
STEP9

STEP10



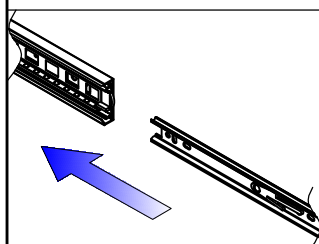
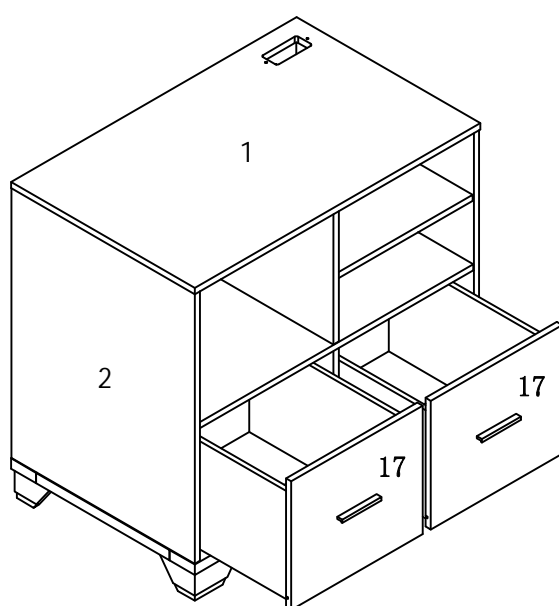
ASSEMBLY INSTRUCTION

ITEM#: 202830 202831 202832



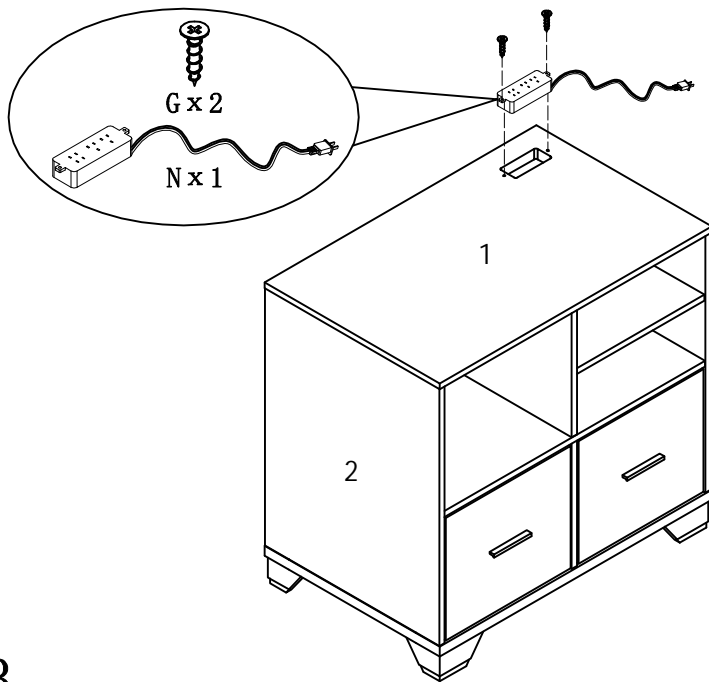
STEP 11

STEP 12



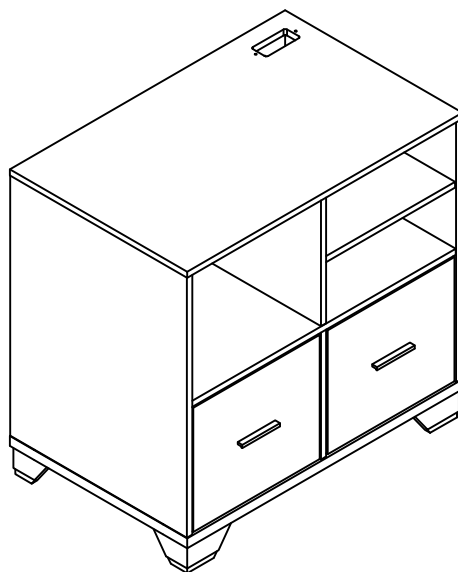
ASSEMBLY INSTRUCTION

ITEM#: 202830 202831 202832



STEP13

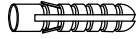
STEP14



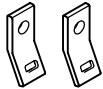
ANTI-TIPPING STRAP INSTRUCTION

HARDWARE (INCLUDED) :

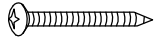
TOOLS NEEDED (NOT INCLUDED) :



DRYWALL ANCHOR $\phi 8 \times 40$ X 1PC



METAL BRACKETS $12 \times 12 \times 1$ X 2PCS



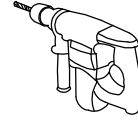
DRYWALL SCREW $\phi 5 \times 40$ X 1PC



STRAP $197 \times 5 \times 1$ X 1PC



FLATHEAD SCREW $\phi 4 \times 25$ X 1PC



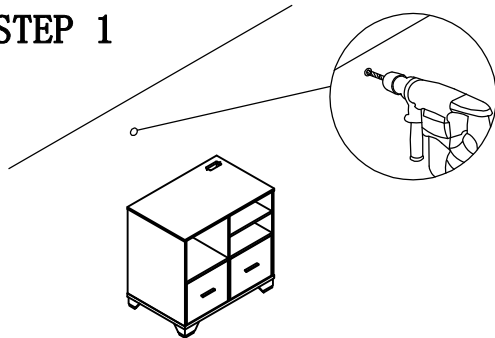
DRILL & DRILL BIT



LIGHT HAMMER

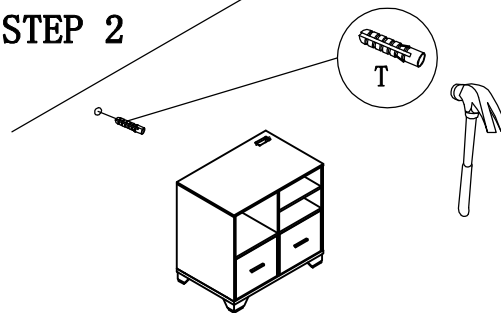
Note: Hardware included only compatible with standard drywalls.

STEP 1



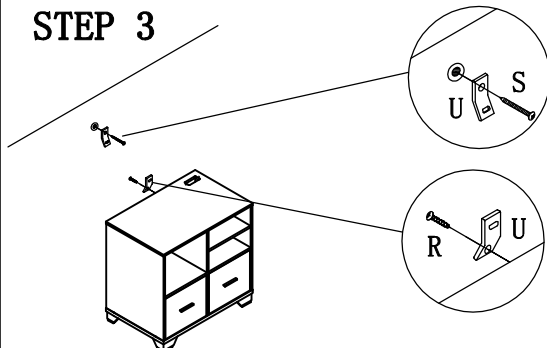
1. Find spot on wall 1" below top of item.
2. Using a drill bit slightly thinner than anchor, drill hole into drywall.

STEP 2



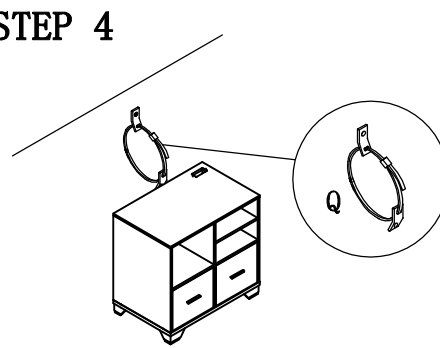
1. Use a light hammer to tap anchor into hole.
2. Anchor should fit snugly. If hole is too small, drill again to increase hole size. Do not force anchor into wall.

STEP 3



1. Insert drywall screw into metal bracket and into drywall anchor.
2. Insert flathead screw into second metal bracket and into back of item, along top edge.

STEP 4



1. Insert strap thru bracket attached to wall, then thru bracket on item, and into head of strap.
 2. pull lightly til strap stops.
- Assembly is complete.