

ASSEMBLY INSTRUCTION

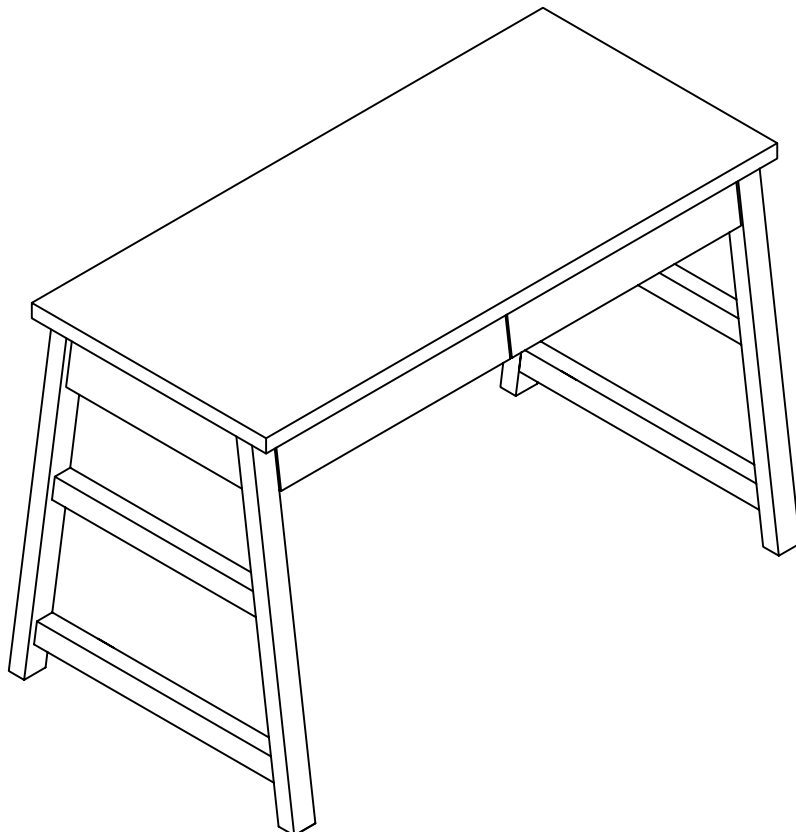
PLEASE READ BEFORE ASSEMBLING!

Tip #1: Make sure you've taken all the pieces and hardware out of its packaging before discarding the box.

Tip #2: Using page 2 and/or page 3 of instruction manual make sure all pieces and hardware are accounted for.

Tip #3: Read manual before assembling, it helps!

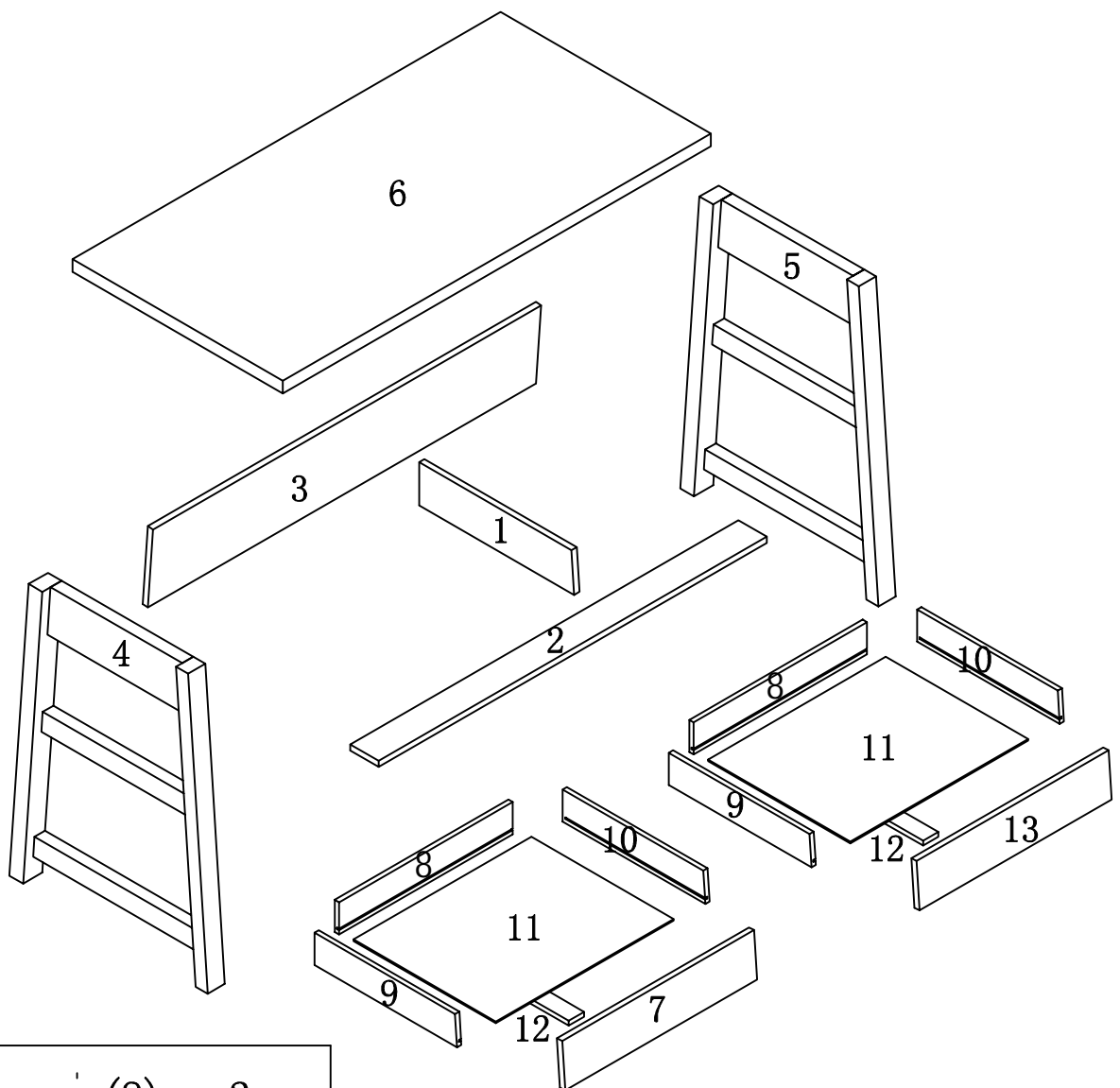
ITEM#: 13725



PAGE: 1 OF 6

PARTS IDENTIFICATION

ITEM#: 13725


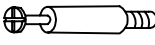



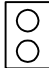
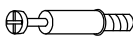

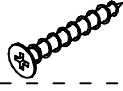


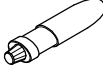


(1)	1pc	(8)	2pcs
(2)	1pc	(9)	2pcs
(3)	1pc	(10)	2pcs
(4)	1pc	(11)	2pcs
(5)	1pc	(12)	2pcs
(6)	1pc	(13)	1pc
(7)	1pc		

PAGE: 2 OF 6

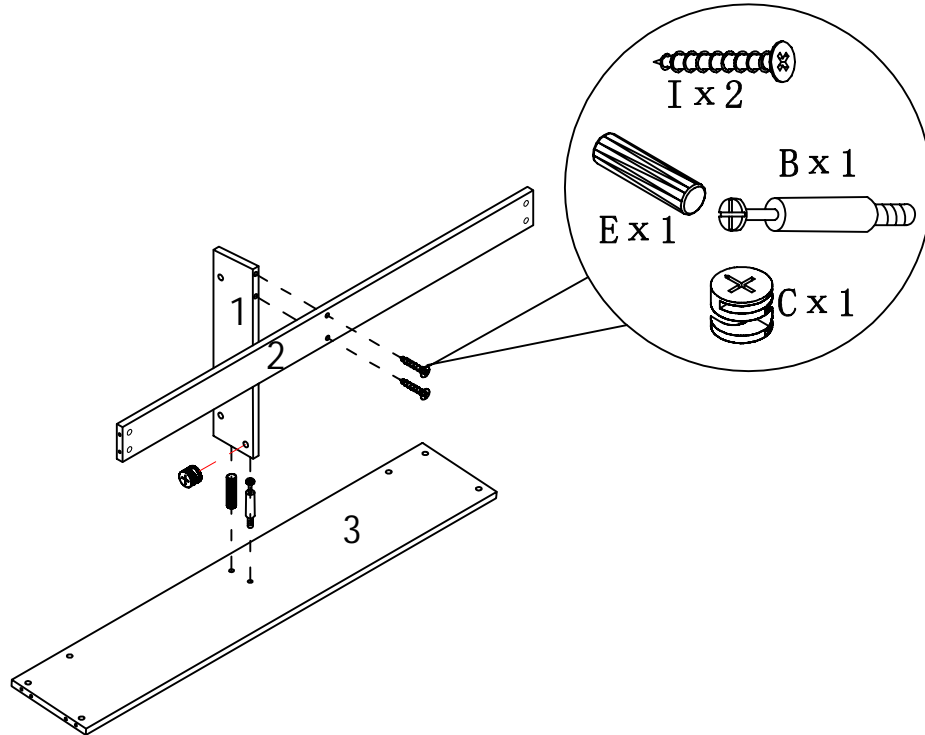
HARDWARE IDENTIFICATION

ITEM#: 13725

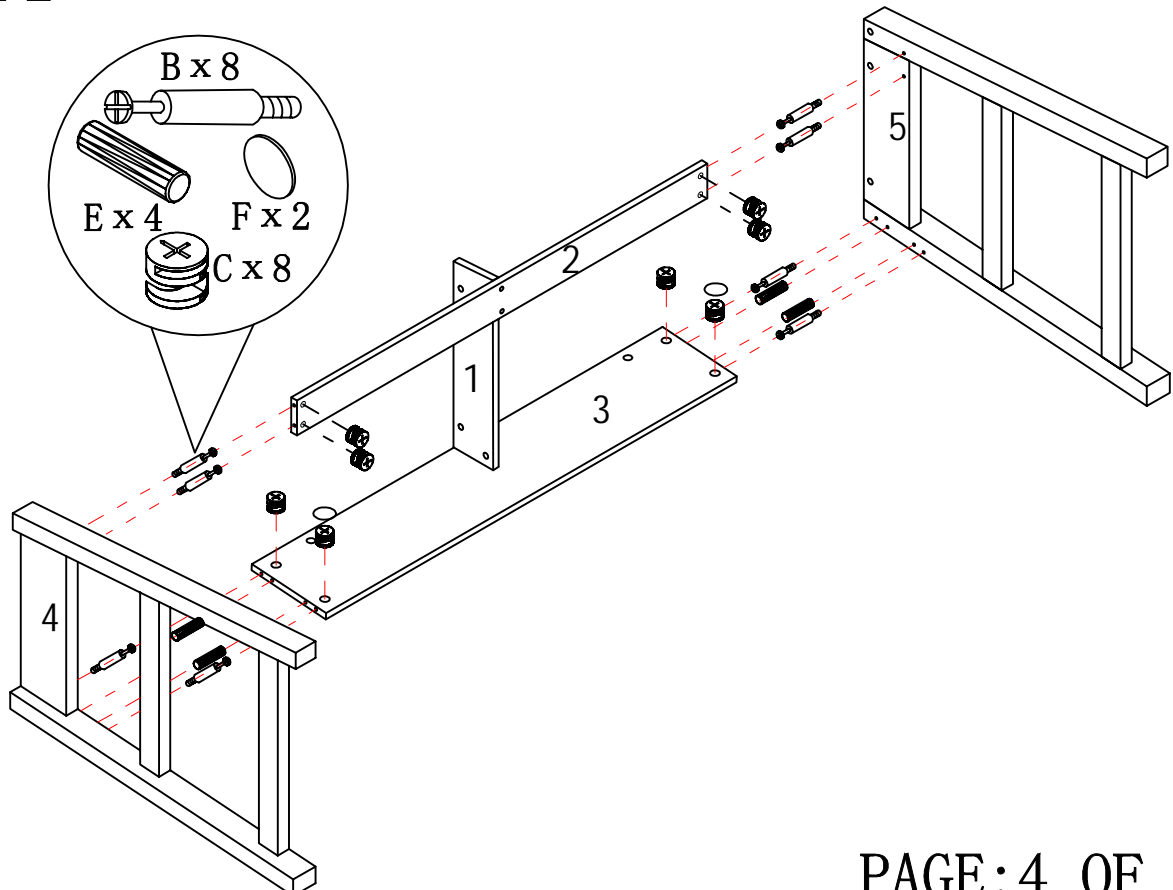
A		ø4 x 25	4pcs
B		L29	19pcs
C		ø15	19pcs
D		ø4 x 30	8pcs
E		ø8 x 25	13pcs
F		ø20	2pcs
G		L=20	8pcs
H		ø12	8pcs
I		ø4 x 40	2pcs
J		ø6 x 30	4pcs
K		ø16	4pcs
L		Glue: For securing please apply to wood dowel first before inserting into panel	1pc

ASSEMBLY INSTRUCTION

ITEM#: 13725



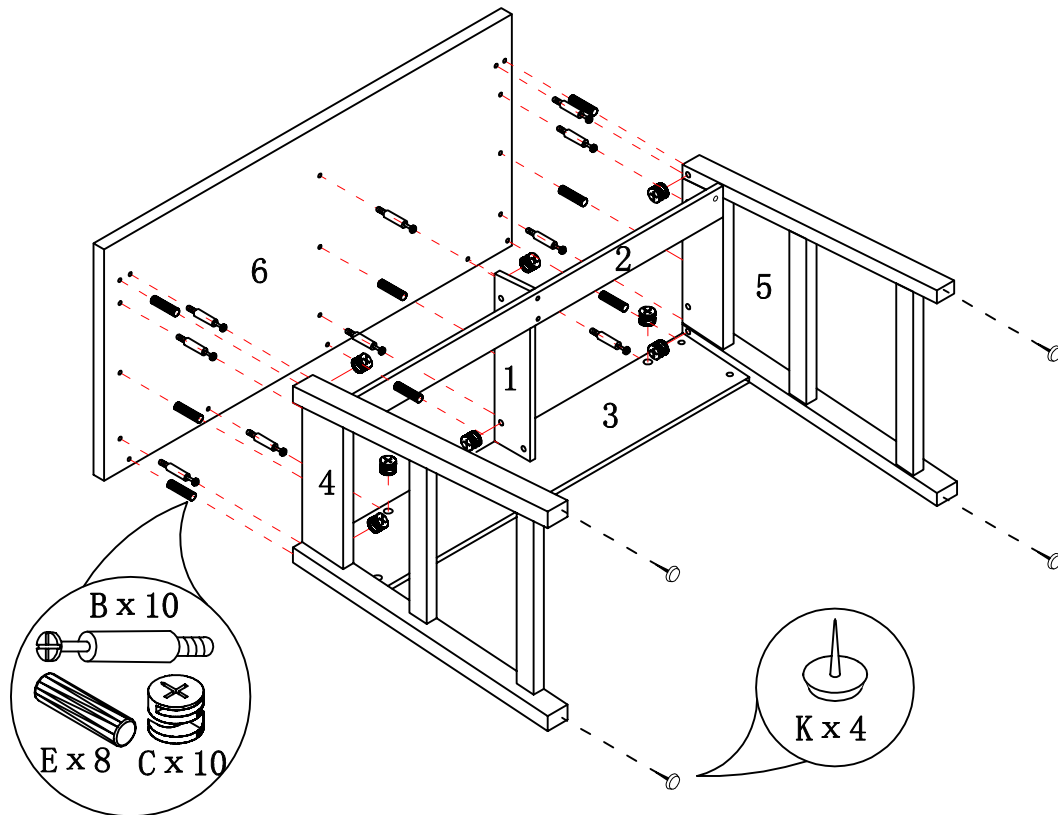
STEP 2



PAGE: 4 OF 6

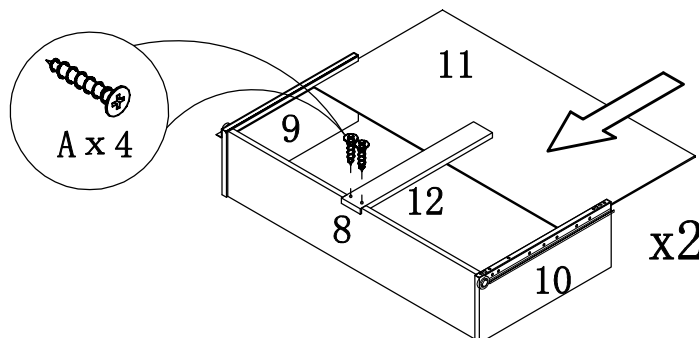
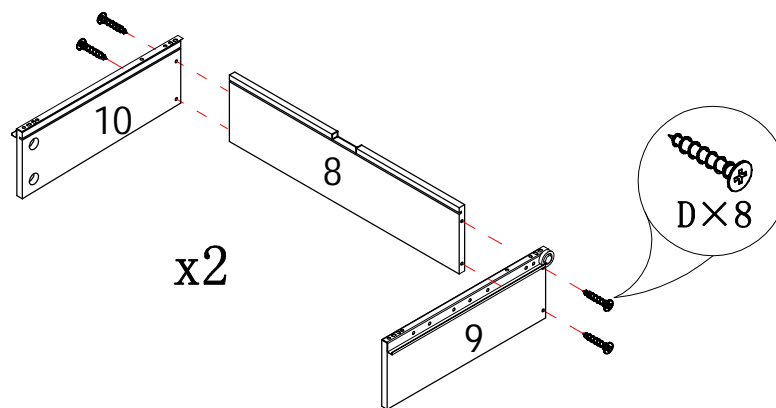
ASSEMBLY INSTRUCTION

ITEM#: 13725



STEP 3

STEP 4

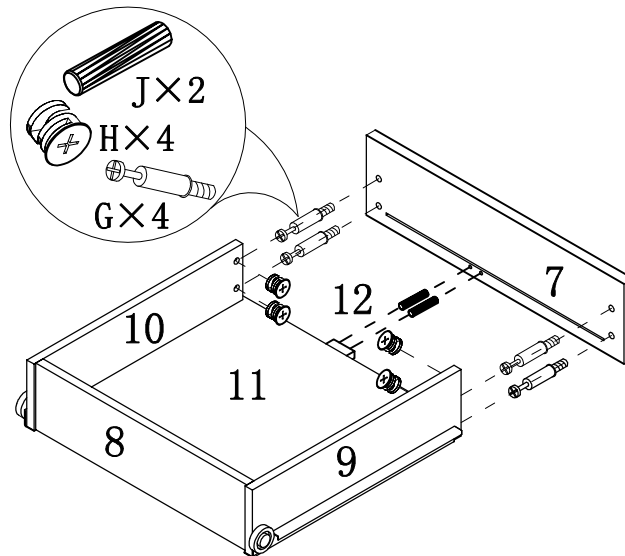


STEP 5

PAGE: 5 OF 6

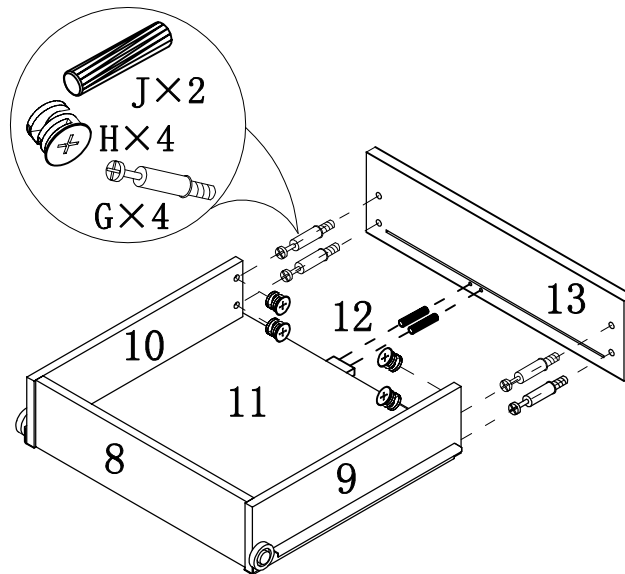
ASSEMBLY INSTRUCTION

ITEM#: 13725

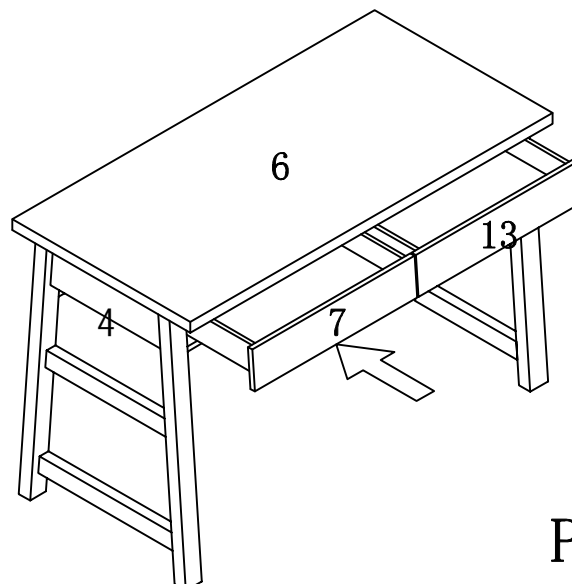


STEP 6

STEP 7



STEP 8



PAGE: 6 OF 6