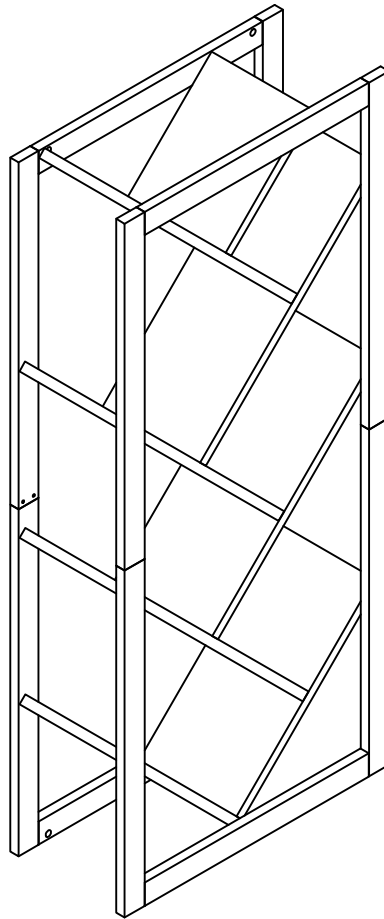


ASSEMBLY INSTRUCTION

ITEM#: 202727



ASSEMBLY INSTRUCTION

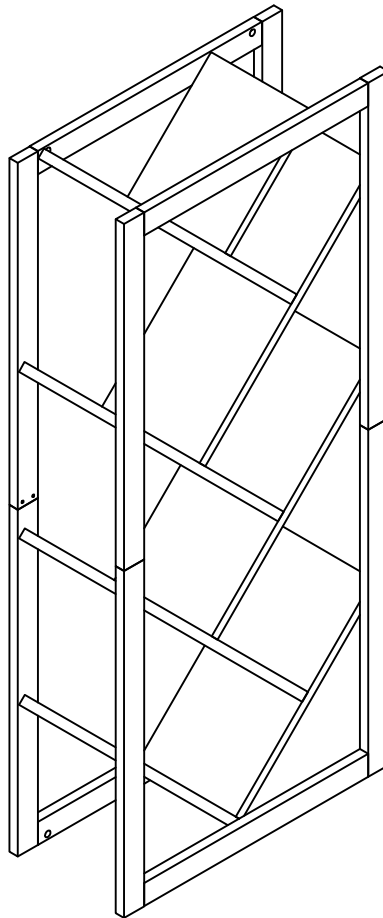
PLEASE READ BEFORE ASSEMBLING!

Tip #1: Make sure you've taken all the pieces and hardware out of its packaging before discarding the box. Assembly on top of flattened box/blanket is recommended.

Tip #2: Using page 2 and/or page 3 of instruction manual make sure all pieces and hardware are accounted for.

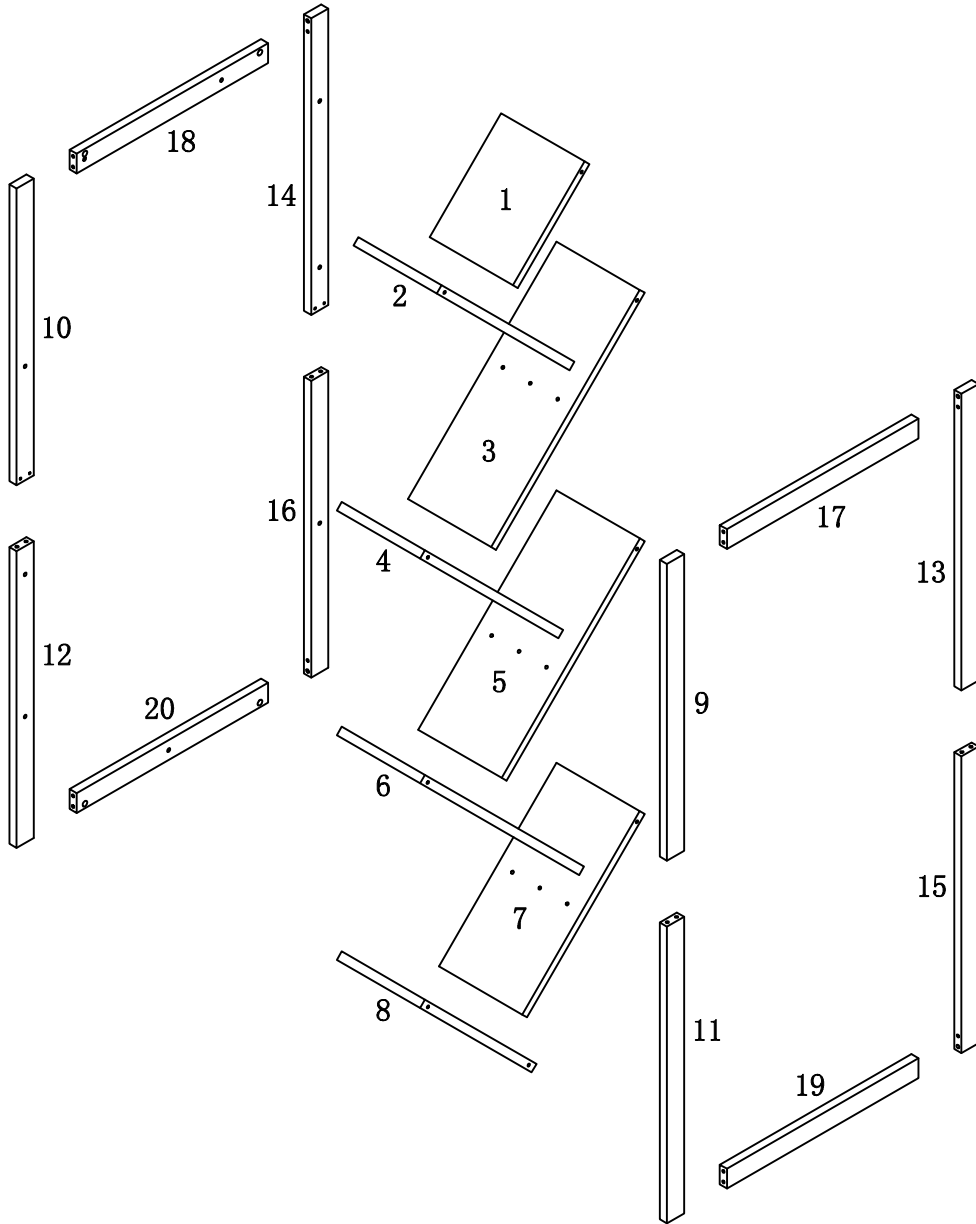
Tip #3: Note position of all holes on each panel during assembly.

ITEM#: 202727



PARTS IDENTIFICATION

ITEM#: 202727

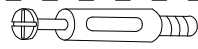


(1)	1pc	(6)	1pc	(11)	1pc	(16)	1pc
(2)	1pc	(7)	1pc	(12)	1pc	(17)	1pc
(3)	1pc	(8)	1pc	(13)	1pc	(18)	1pc
(4)	1pc	(9)	1pc	(14)	1pc	(19)	1pc
(5)	1pc	(10)	1pc	(15)	1pc	(20)	1pc

HARDWARE IDENTIFICATION

ITEM#: 202727

A
B
C
D
E
F
G
H
I
J
K
L
M
N
O



L29

26pcs



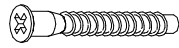
∅15

26pcs



∅8x25

15pcs



∅7x48

14pcs



∅16x∅8x2

14pcs



∅16

6pcs



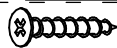
∅22

39pcs



∅15

8pcs



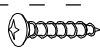
∅4x20

8pcs



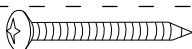
197 × 5 × 1

1pc



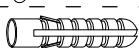
∅4x25

1pc



∅5x40

1pc



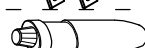
∅8 x 40

1pc



12 × 12 × 1

2pcs

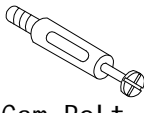

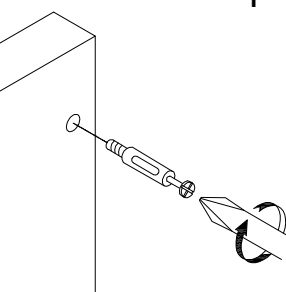
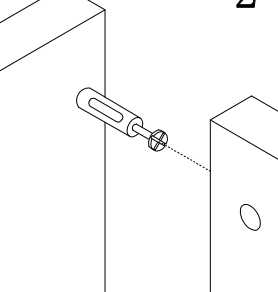
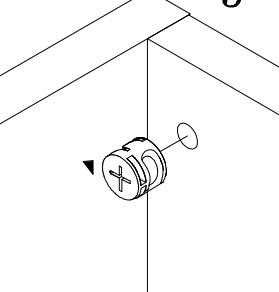
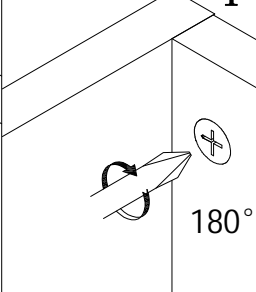


Glue: For securing please apply to wood
dowel first before inserting into panel

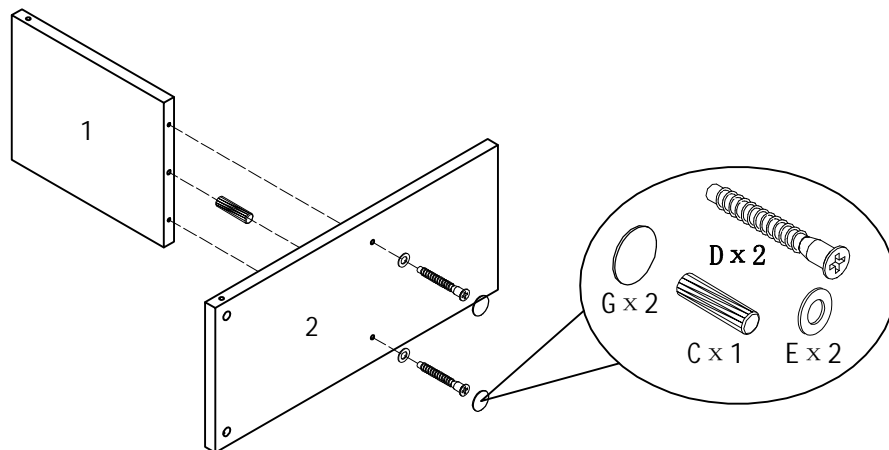
1pc

ASSEMBLY INSTRUCTION

ITEM#: 202727

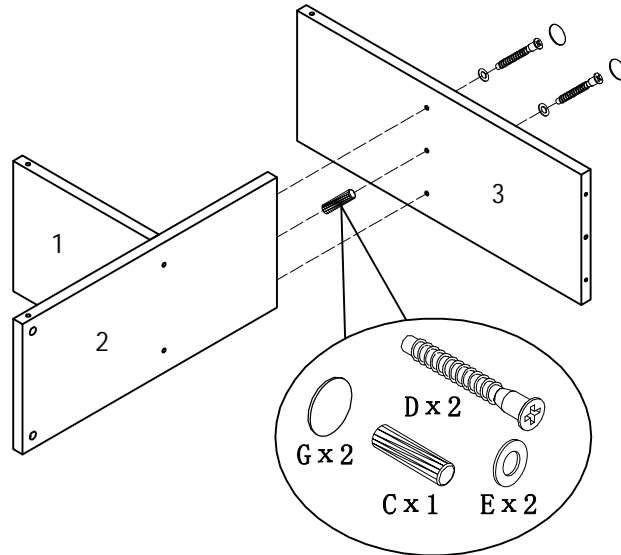
<p>HOW TO</p>  <p>Cam Bolt</p>  <p>Cam Lock</p>	<p>1</p>  <p>1. Screw Cam Bolt into panel.</p>	<p>2</p>  <p>2. Insert Cam Bolt into bolt hole of joining panel.</p>	<p>3</p>  <p>3. Insert Cam Lock. arrow facing bolt.</p>	<p>4</p>  <p>4. Gently turn Cam Lock clockwise to lock position.</p>
---	---	---	---	---

STEP1



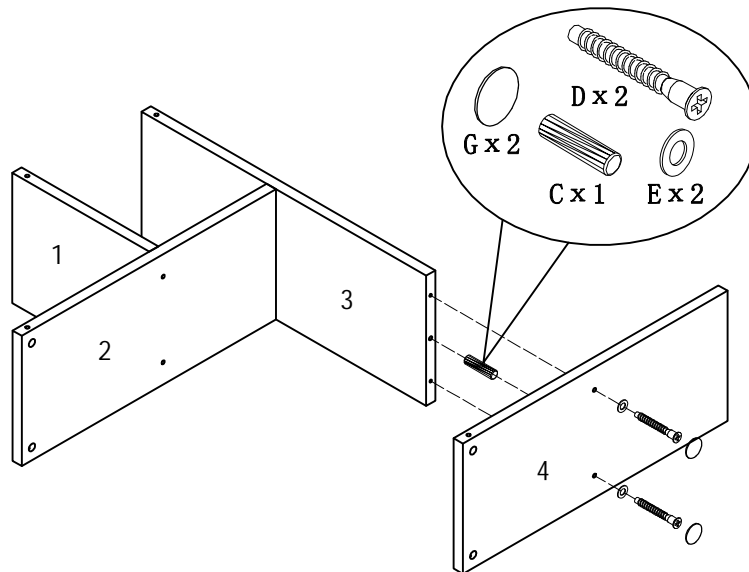
ASSEMBLY INSTRUCTION

ITEM#: 202727



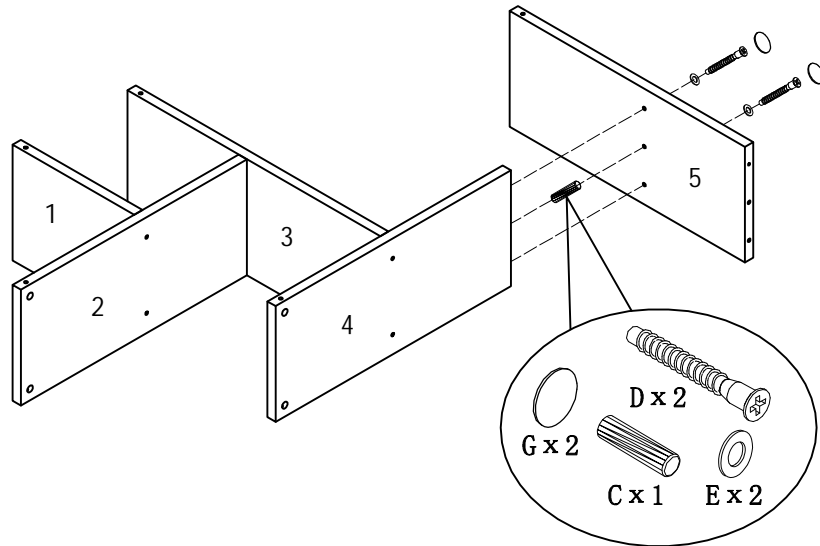
STEP2

STEP3



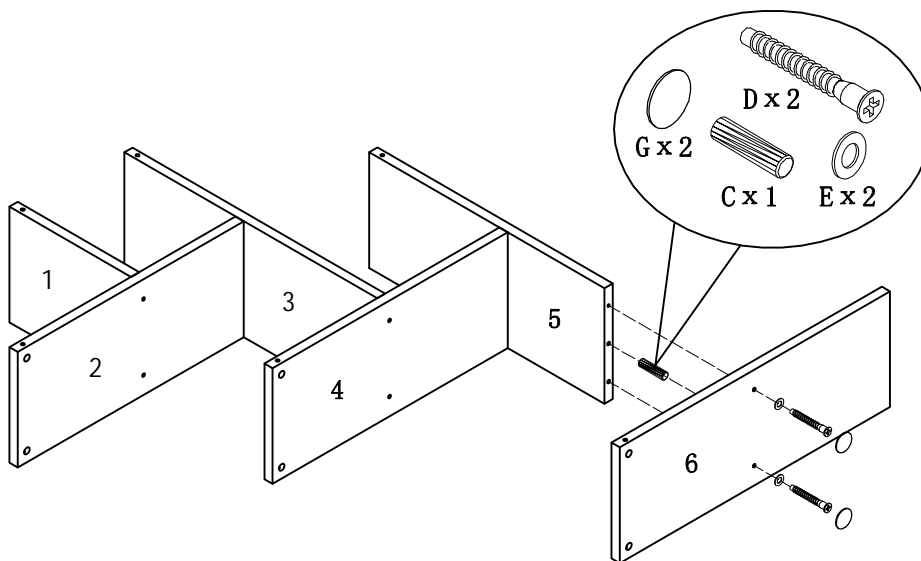
ASSEMBLY INSTRUCTION

ITEM#: 202727



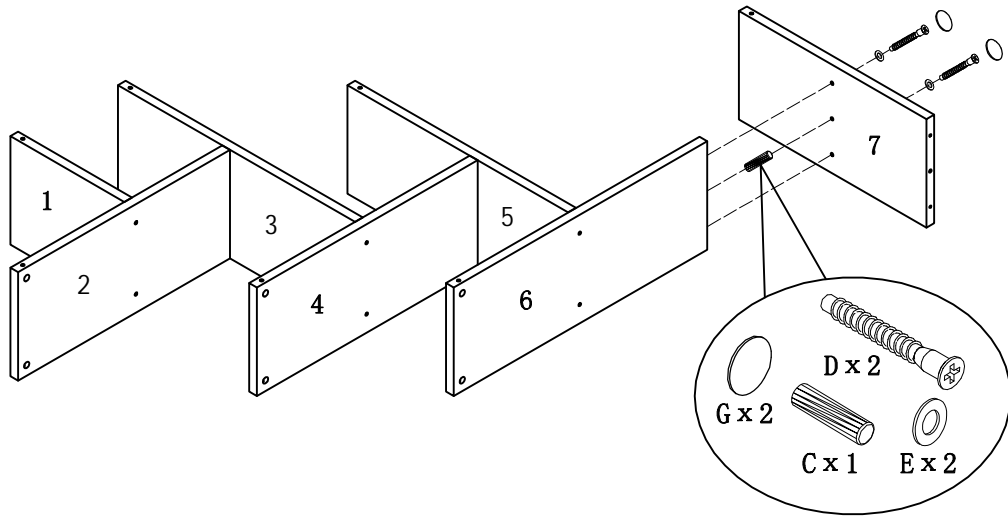
STEP4

STEP5



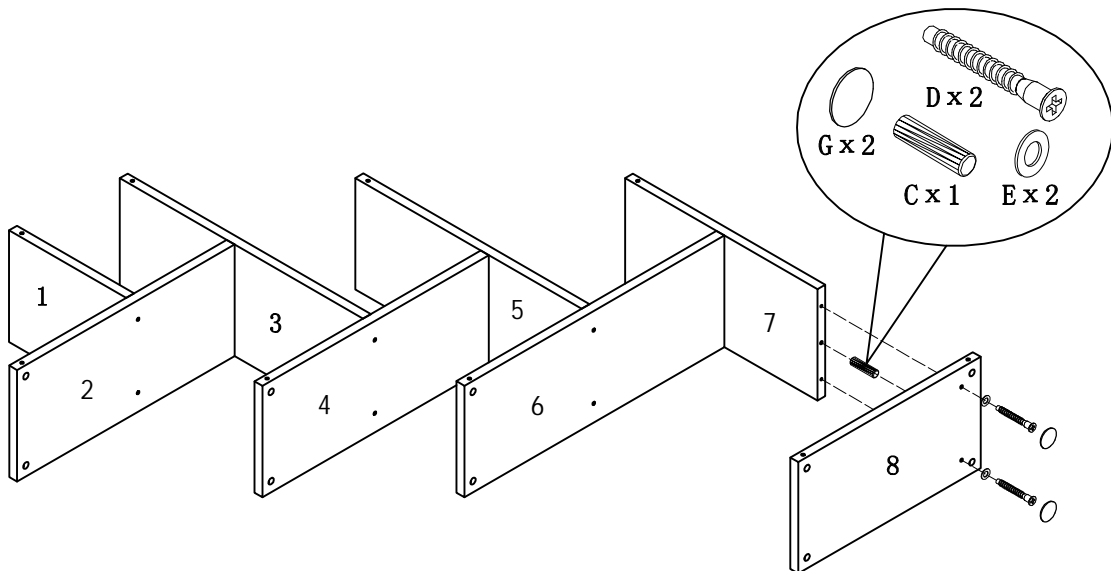
ASSEMBLY INSTRUCTION

ITEM#: 202727



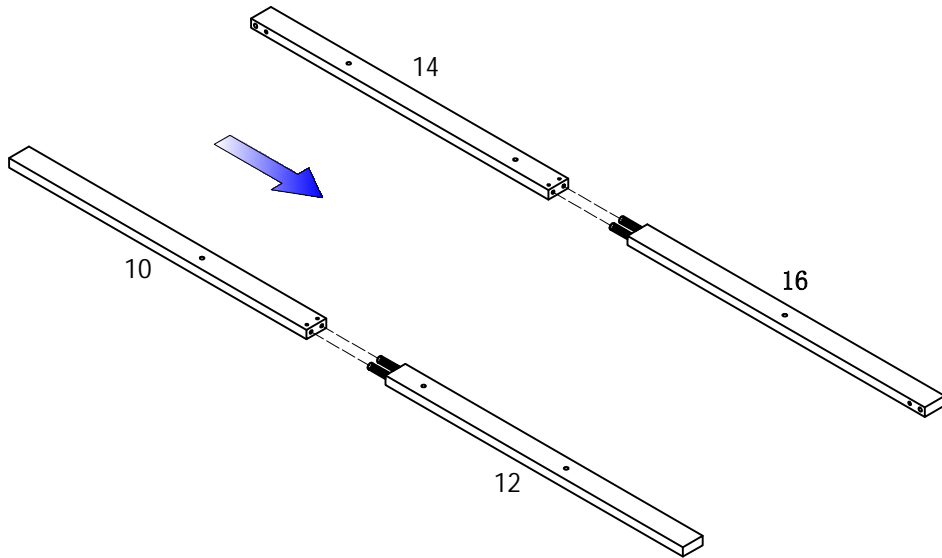
STEP6

STEP7



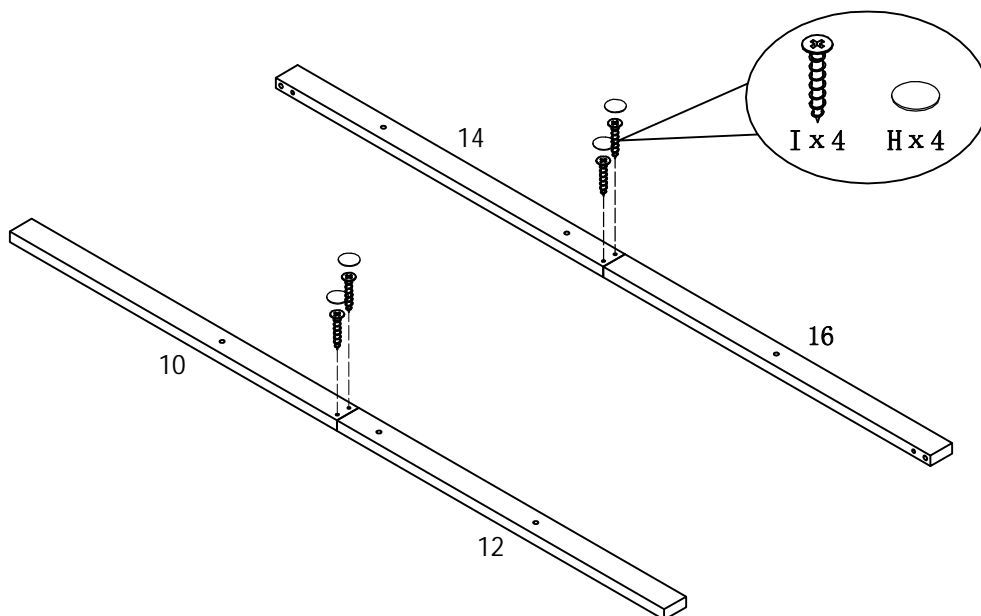
ASSEMBLY INSTRUCTION

ITEM#: 202727



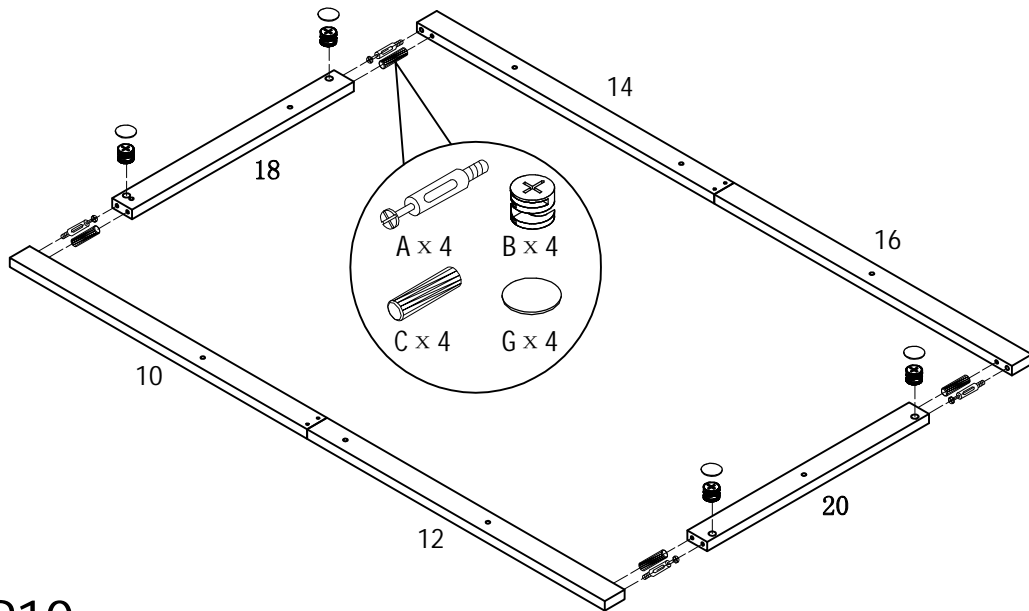
STEP8

STEP9



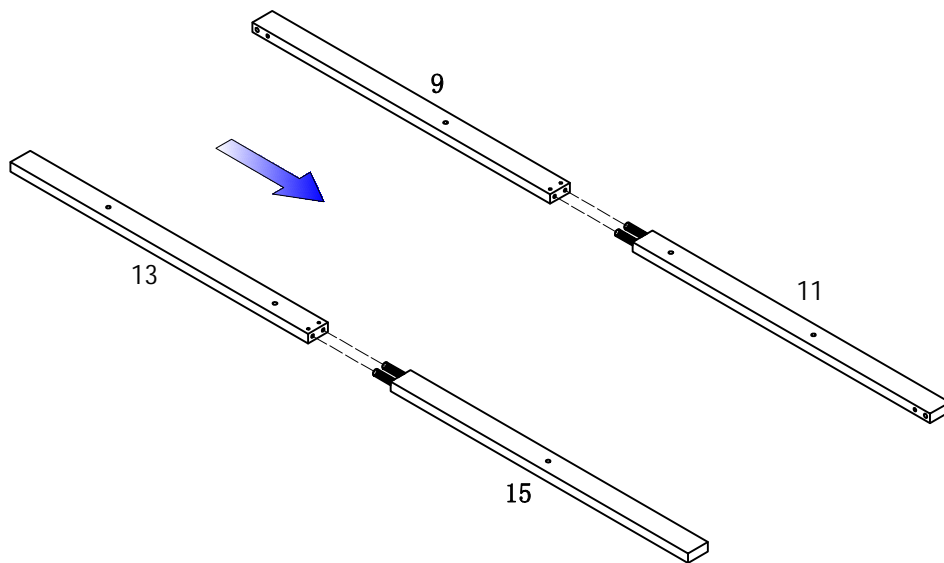
ASSEMBLY INSTRUCTION

ITEM#: 202727



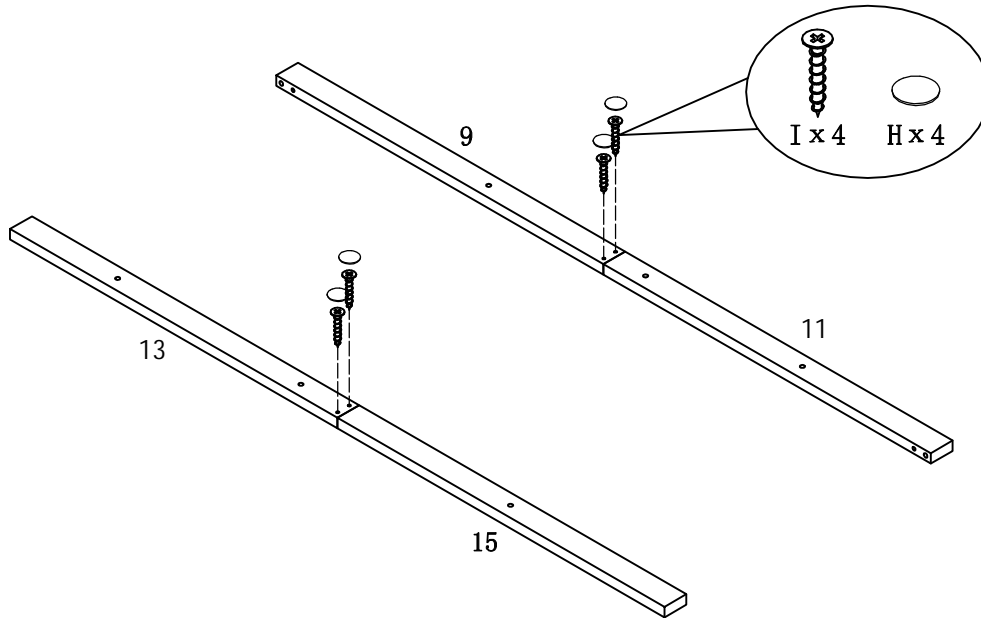
STEP10

STEP11



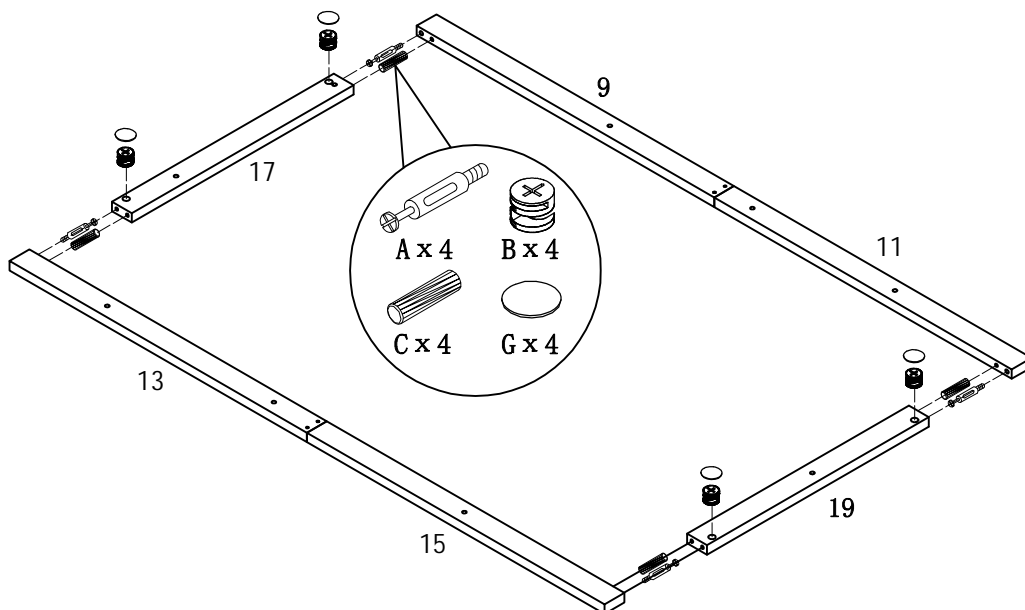
ASSEMBLY INSTRUCTION

ITEM#: 202727



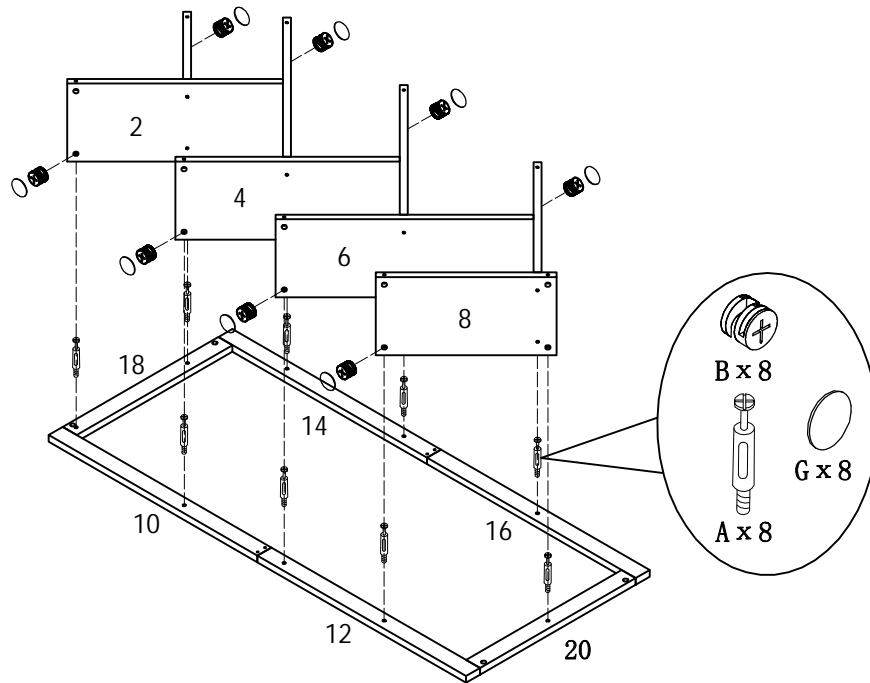
STEP12

STEP13



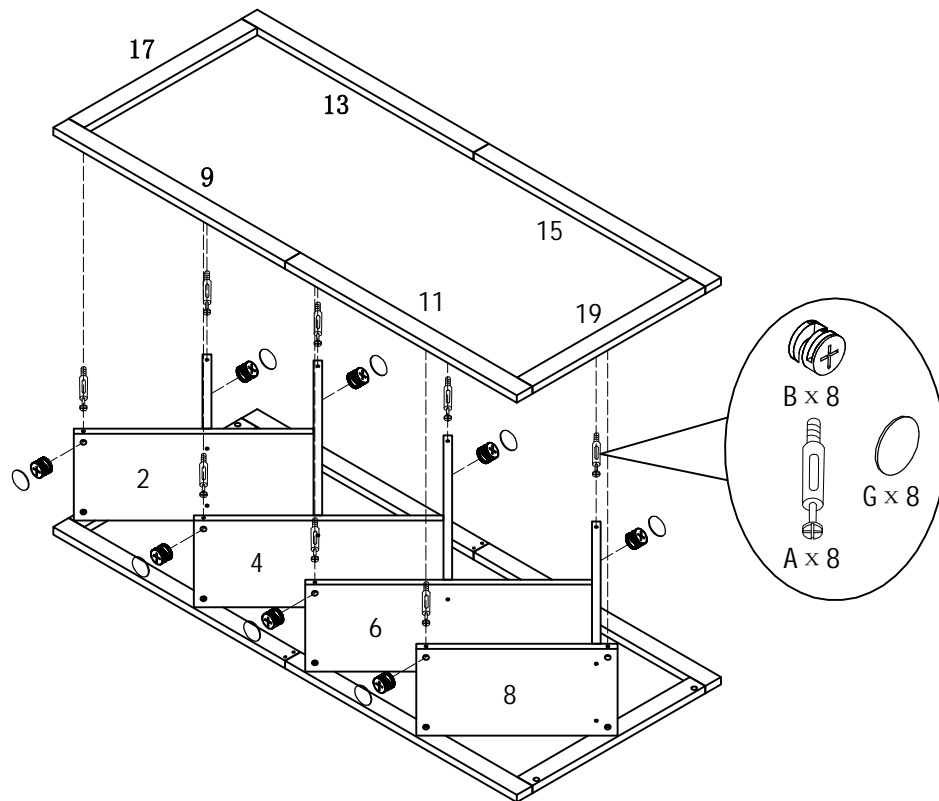
ASSEMBLY INSTRUCTION

ITEM#: 202727



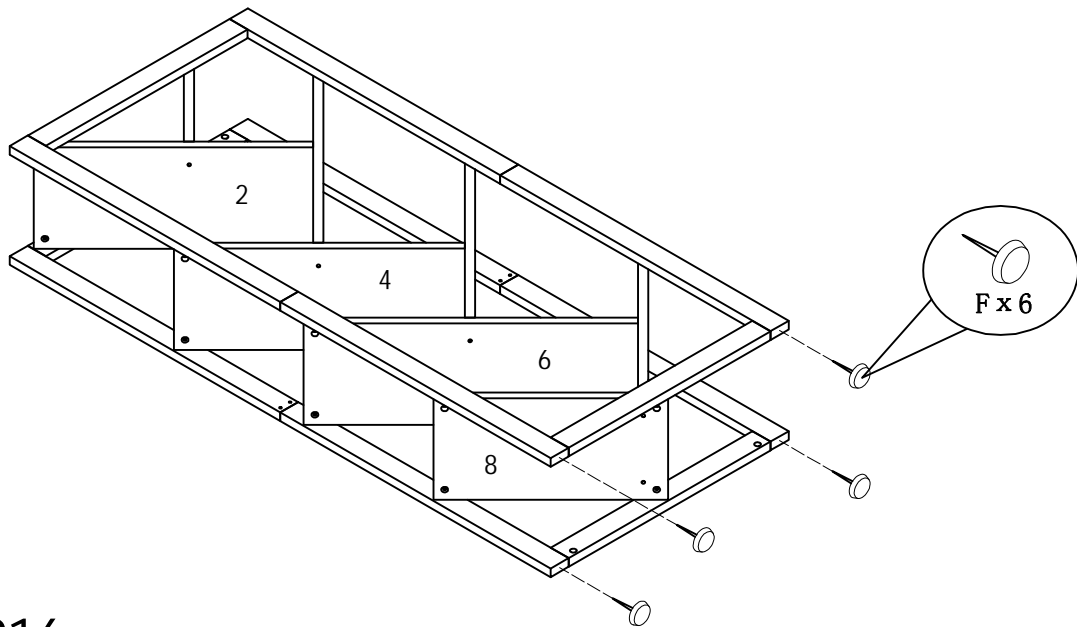
STEP14

STEP15



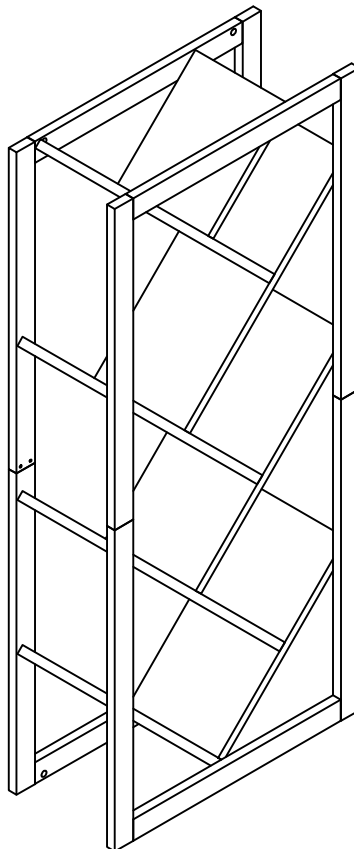
ASSEMBLY INSTRUCTION

ITEM#: 202727



STEP16

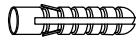
STEP17



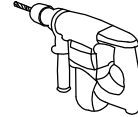
ANTI-TIPPING STRAP INSTRUCTION

HARDWARE (INCLUDED):

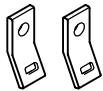
TOOLS NEEDED (NOT INCLUDED):



DRYWALL ANCHOR $\phi 8 \times 40$ X 1PC



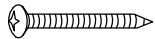
DRILL & DRILL BIT



METAL BRACKETS $12 \times 12 \times 1$ X 2PCS



LIGHT HAMMER



DRYWALL SCREW $\phi 5 \times 40$ X 1PC



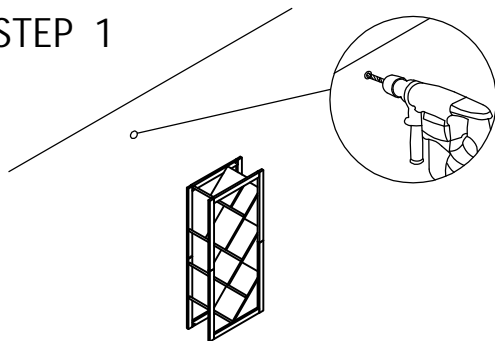
STRAP $197 \times 5 \times 1$ X 1PC



FLATHEAD SCREW $\phi 4 \times 25$ X 1PC

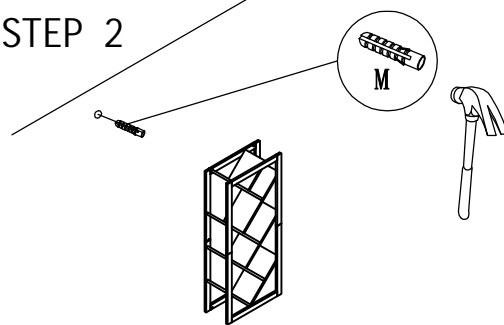
Note: Hardware included only compatible with standard drywalls.

STEP 1



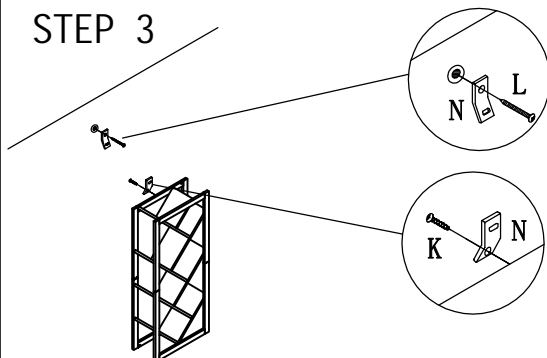
1. Find spot on wall 1" below top of item.
2. Using a drill bit slightly thinner than anchor, drill hole into drywall.

STEP 2



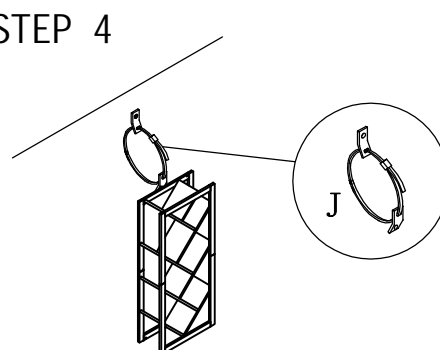
1. Use a light hammer to tap anchor into hole.
2. Anchor should fit snugly. If hole is too small, drill again to increase hole size. Do not force anchor into wall.

STEP 3



1. Insert drywall screw into metal bracket and into drywall anchor.
2. Insert flathead screw into second metal bracket and into back of item, along top edge.

STEP 4



1. Insert strap thru bracket attached to wall, then thru bracket on item, and into head of strap.
 2. pull lightly til strap stops.
- Assembly is complete.