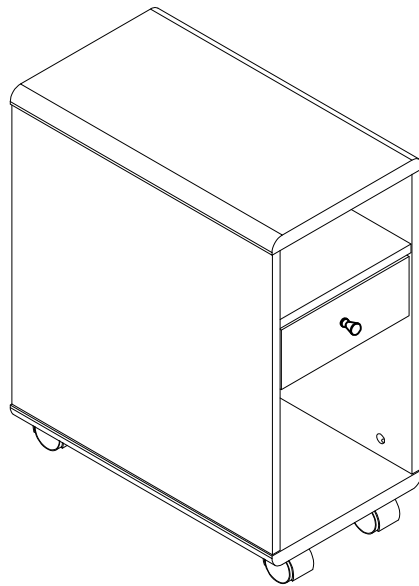


ASSEMBLY INSTRUCTION

ITEM#: 161716 161730 161731 161739



ASSEMBLY INSTRUCTION

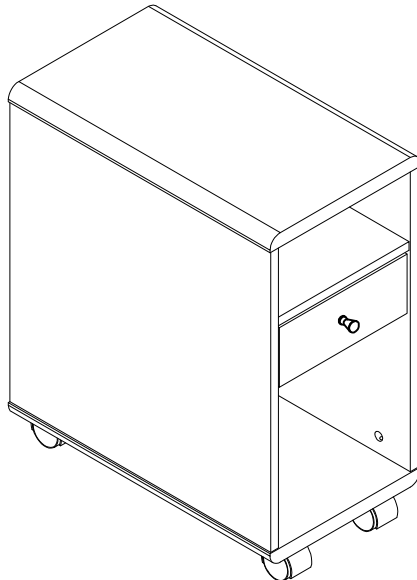
PLEASE READ BEFORE ASSEMBLING!

Tip #1: Make sure you've taken all the pieces and hardware out of its packaging before discarding the box. Assembly on top of flattened box/blanket is recommended.

Tip #2: Using page 2 and/or page 3 of instruction manual make sure all pieces and hardware are accounted for.

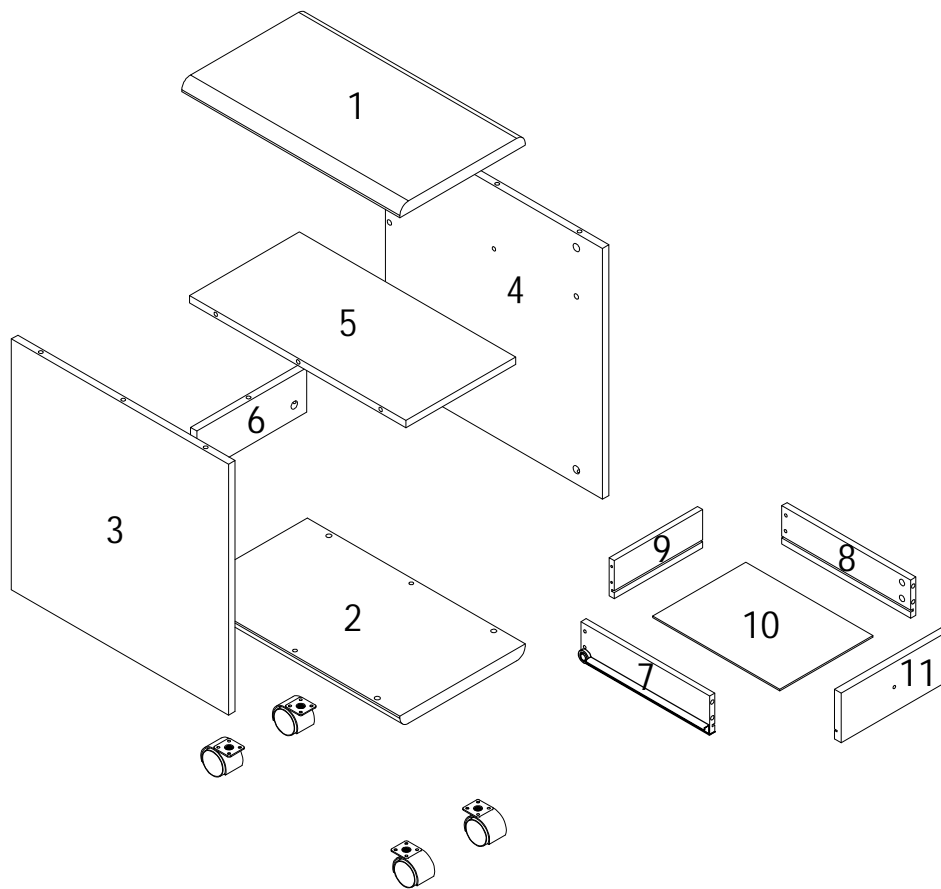
Tip #3: Note position of all holes on each panel during assembly.

ITEM#: 161716 161730 161731 161739



PARTS IDENTIFICATION



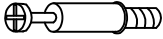



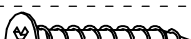


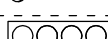





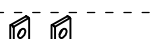

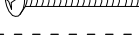
ITEM#:161716 161730 161731 161739



(1)	1pc	(7)	1pc
(2)	1pc	(8)	1pc
(3)	1pc	(9)	1pc
(4)	1pc	(10)	1pc
(5)	1pc	(11)	1pc
(6)	1pc		

HARDWARE IDENTIFICATION

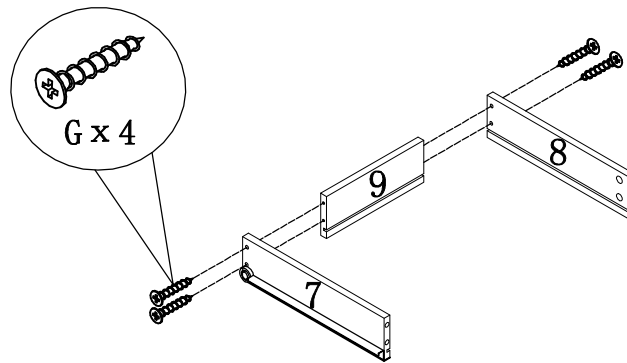
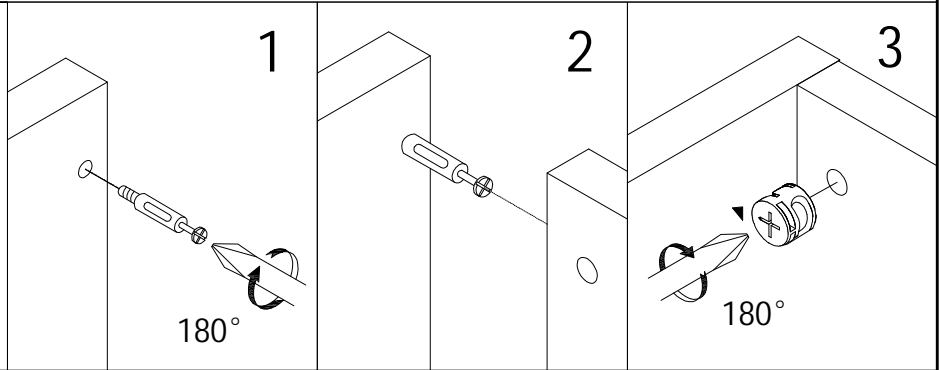
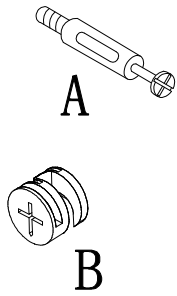
ITEM#: 161716 161730 161731 161739

A		L29	14pcs
B		ø15	14pcs
C		L20	4pcs
D		ø12	4pcs
E		ø8 x 25	9pcs
F		ø4 x 16	16pcs
G		ø4 x 30	4pcs
H			1pc
I		M4 x 22	1pc
J		ø20	8pcs
K		H55	2pcs
L		H55	2pcs
M		197x5x1	1pc
N		ø8x40	1pc
O		12x12x1	2pcs
P		ø5x40	1pc
Q		ø4x25	1pc
R		Glue: For securing please apply to wood dowel first before inserting into panel	1pc

ASSEMBLY INSTRUCTION

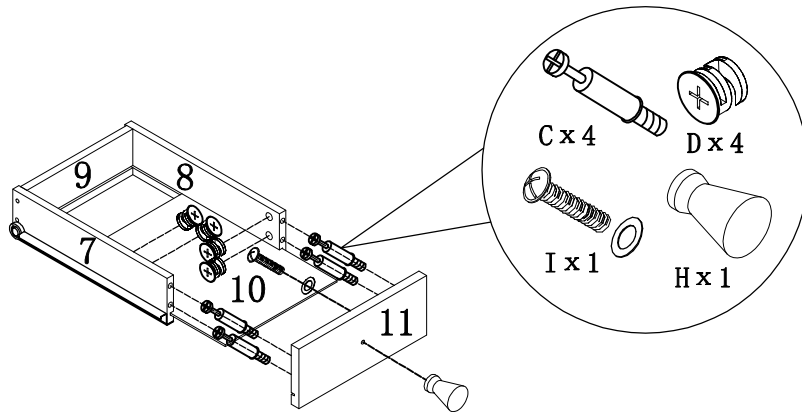
ITEM#: 161716 161730 161731 161739

HOW TO



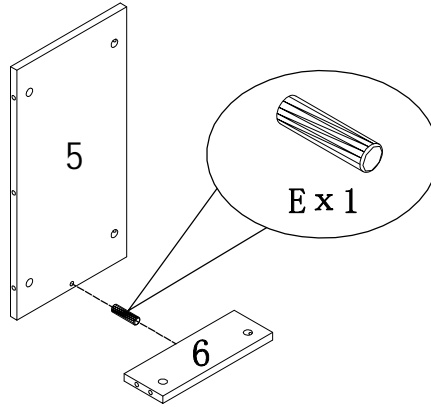
STEP1

STEP2



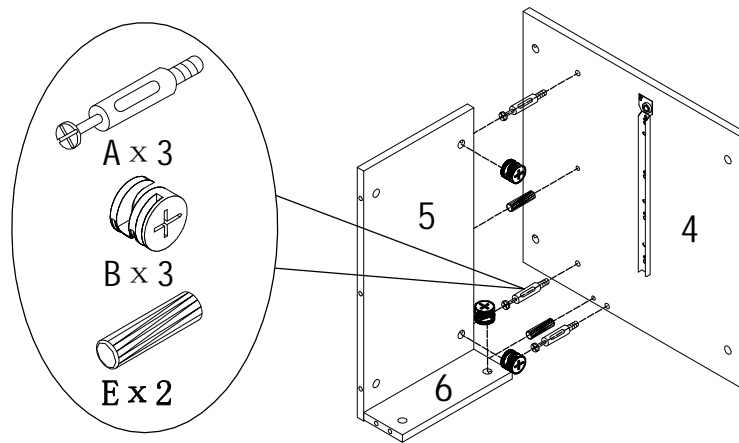
ASSEMBLY INSTRUCTION

ITEM#: 161716 161730 161731 161739

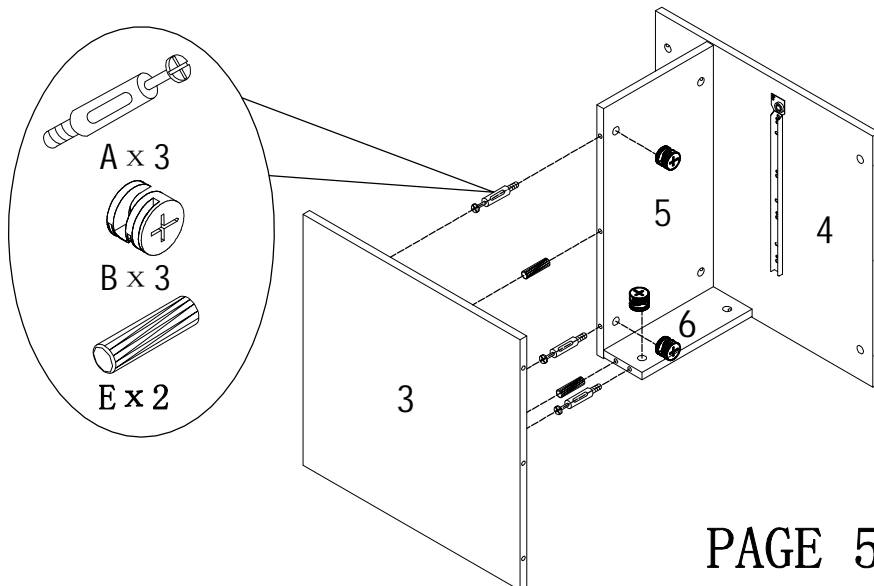


STEP3

STEP4

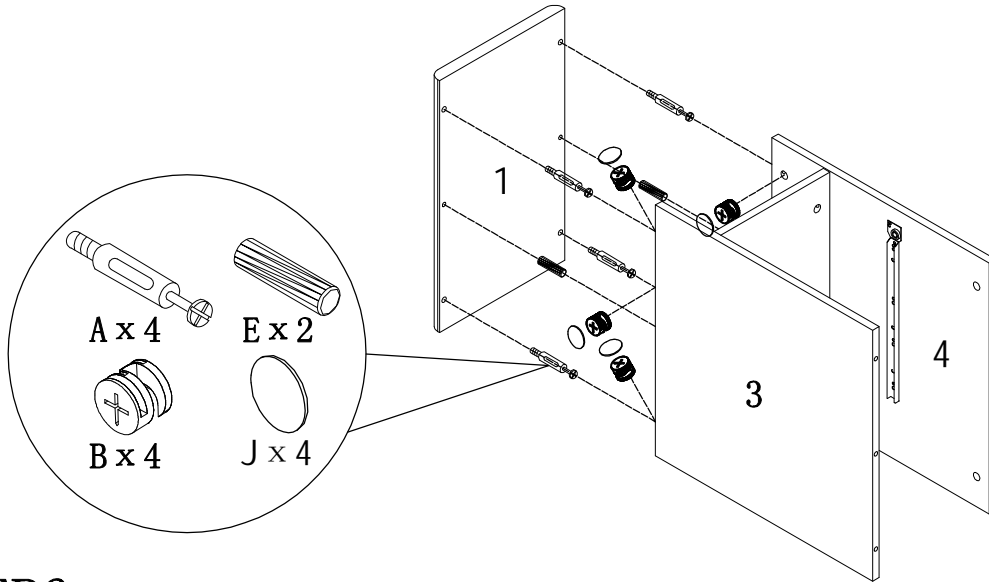


STEP5



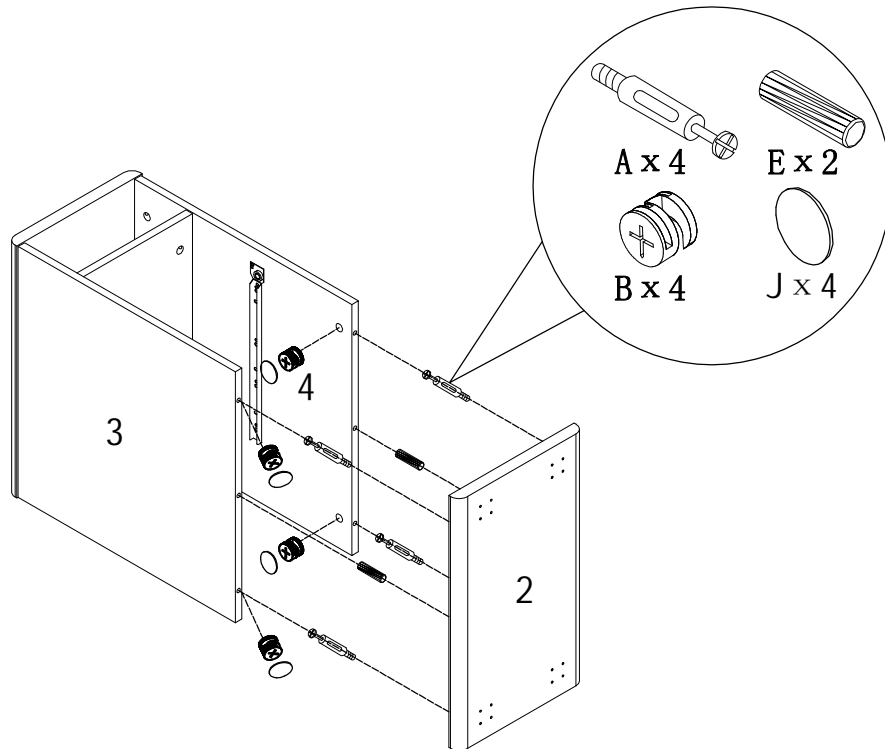
ASSEMBLY INSTRUCTION

ITEM#: 161716 161730 161731 161739



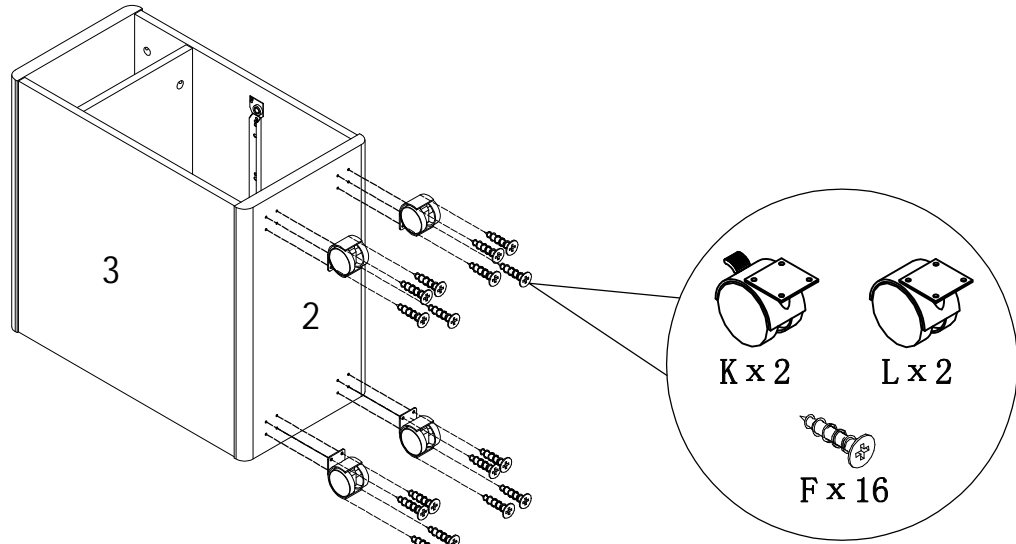
STEP6

STEP7



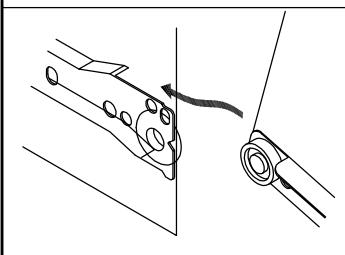
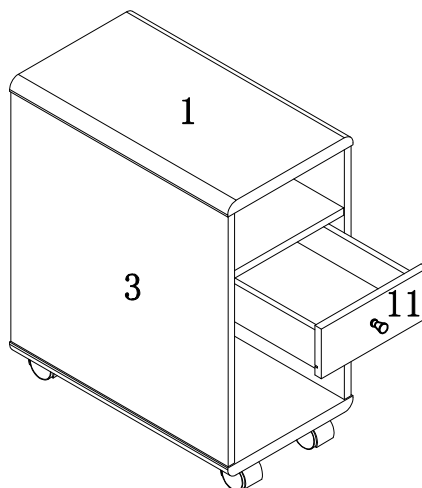
ASSEMBLY INSTRUCTION

ITEM#: 161716 161730 161731 161739



STEP8

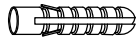
STEP9



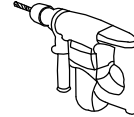
ANTI-TIPPING STRAP INSTRUCTION

HARDWARE (INCLUDED) :

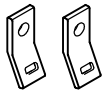
TOOLS NEEDED (NOT INCLUDED) :



DRYWALL ANCHOR $\phi 8 \times 40$ X 1PC



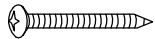
DRILL & DRILL BIT



METAL BRACKETS $12 \times 12 \times 1$ X 2PCS



LIGHT HAMMER



DRYWALL SCREW $\phi 5 \times 40$ X 1PC



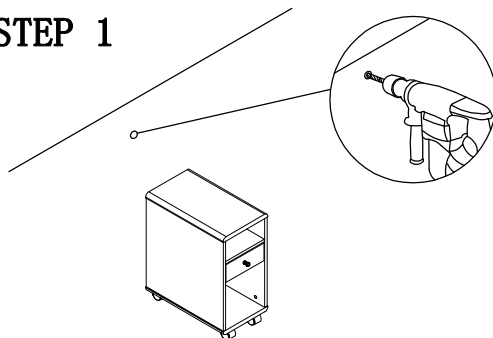
STRAP $197 \times 5 \times 1$ X 1PC



FLATHEAD SCREW $\phi 4 \times 25$ X 1PC

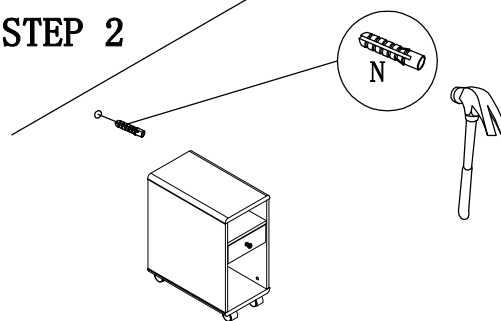
Note: Hardware included only compatible with standard drywalls.

STEP 1



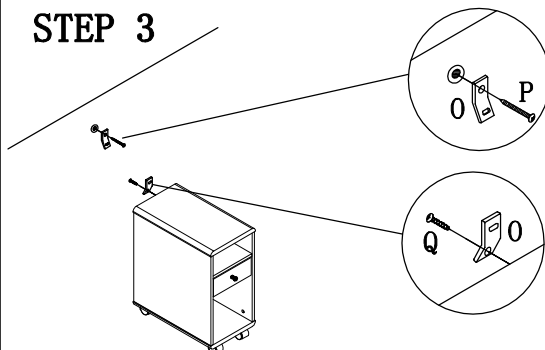
1. Find spot on wall 1" below top of item.
2. Using a drill bit slightly thinner than anchor, drill hole into drywall.

STEP 2



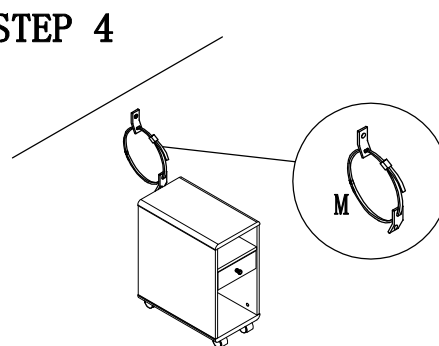
1. Use a light hammer to tap anchor into hole.
2. Anchor should fit snugly. If hole is too small, drill again to increase hole size. Do not force anchor into wall.

STEP 3



1. Insert drywall screw into metal bracket and into drywall anchor.
2. Insert flathead screw into second metal bracket and into back of item along top edge.

STEP 4



1. Insert strap thru bracket attached to wall, then thru bracket on item, and into head of strap.
 2. pull lightly til strap stops.
- Assembly is complete.