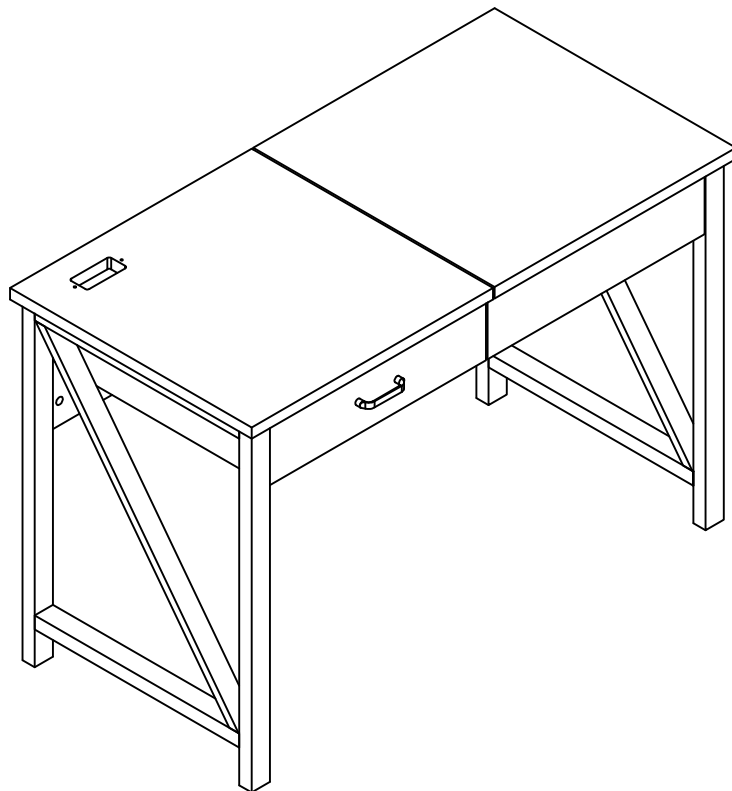


ASSEMBLY INSTRUCTION

ITEM#: 212868



ASSEMBLY INSTRUCTION

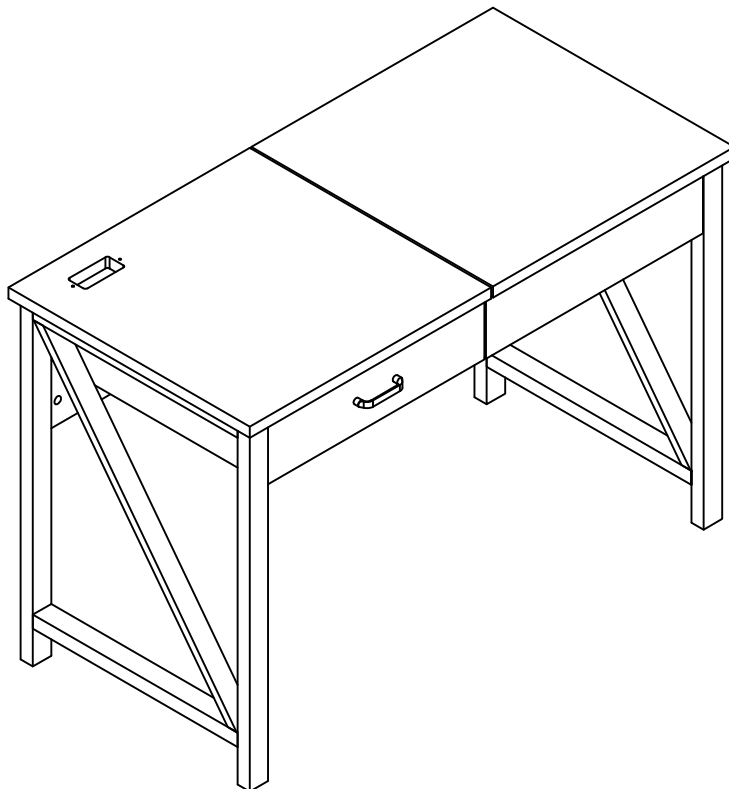
PLEASE READ BEFORE ASSEMBLING!

Tip #1: Make sure you've taken all the pieces and hardware out of its packaging before discarding the box. Assembly on top of flattened box/blanket is recommended.

Tip #2: Using page 2 and/or page 3 of instruction manual make sure all pieces and hardware are accounted for.

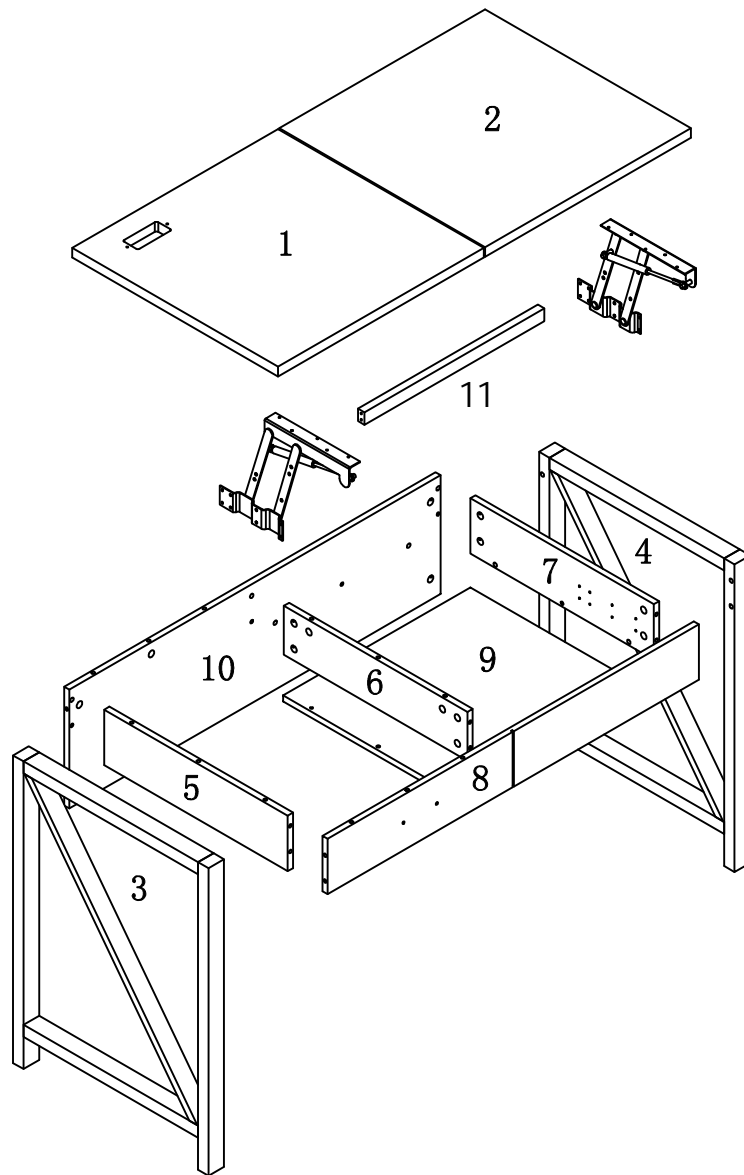
Tip #3: Note position of all holes on each panel during assembly.

ITEM#: 212868



PARTS IDENTIFICATION




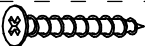


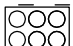



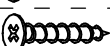
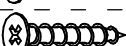



ITEM#: 212868



(1)	1pc	(7)	1pc
(2)	1pc	(8)	1pc
(3)	1pc	(9)	1pc
(4)	1pc	(10)	1pc
(5)	1pc	(11)	1pc
(6)	1pc		

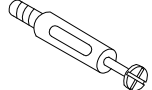

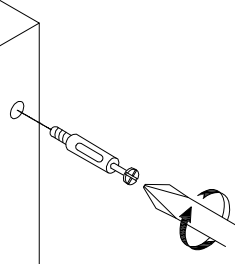
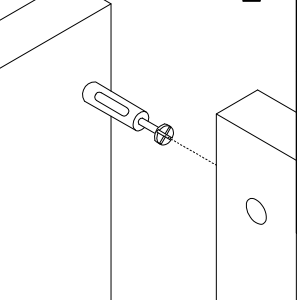
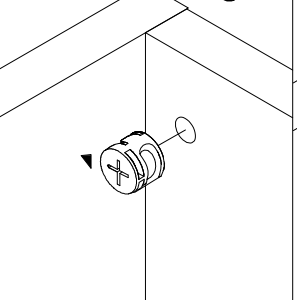
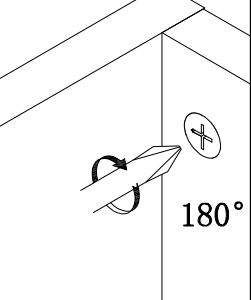
HARDWARE IDENTIFICATION

ITEM#: 212868

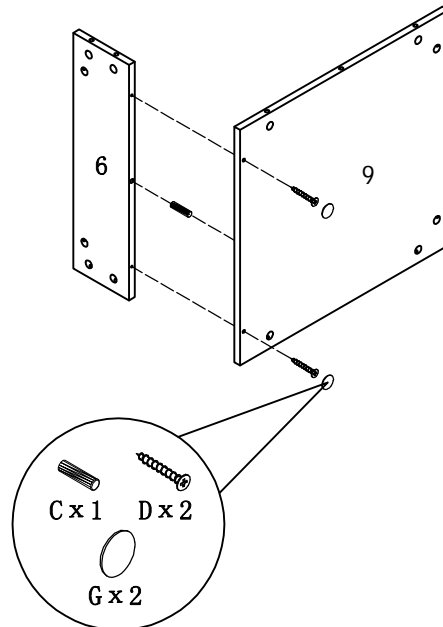
A		L29	32pcs
B		ø15	32pcs
C		ø8x25	12pcs
D		ø4x40	2pcs
E			1pc
F		M4x22	2pcs
G		ø15	2pcs
H		ø22	26pcs
I		ø16	4pcs
J		ø4x16	18pcs
K		ø4x20	10pcs
L		ø4x25	4pcs
M			1pc
N			1pc
O		Glue: For securing please apply to wood dowel first before inserting into panel	1pc

ASSEMBLY INSTRUCTION

ITEM#: 212868

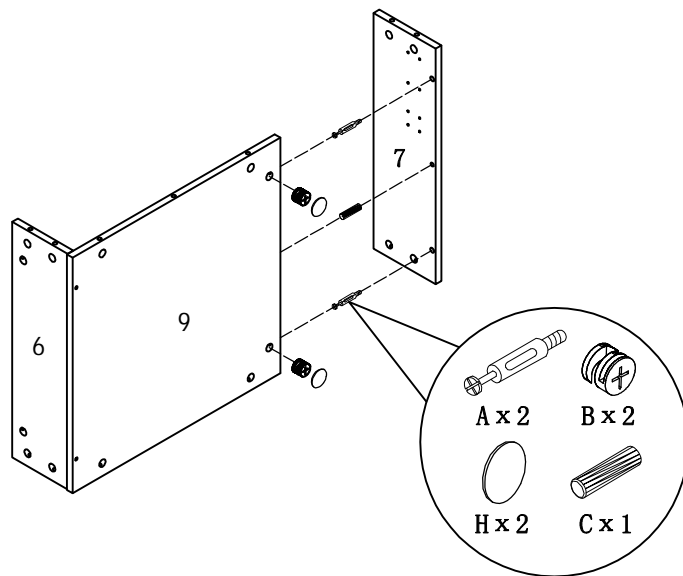
HOW TO	1	2	3	4
 Cam Bolt  Cam Lock				
	1. Screw Cam Bolt into panel.	2. Insert Cam Bolt into bolt hole of joining panel.	3. Insert Cam Lock. arrow facing bolt.	4. Gently turn Cam Lock clockwise to lock position.

STEP 1



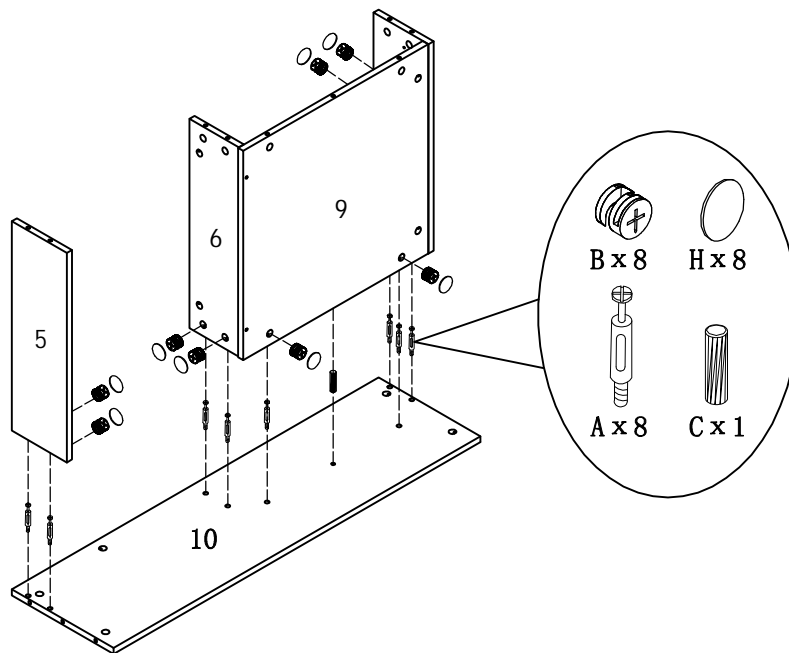
ASSEMBLY INSTRUCTION

ITEM#:212868



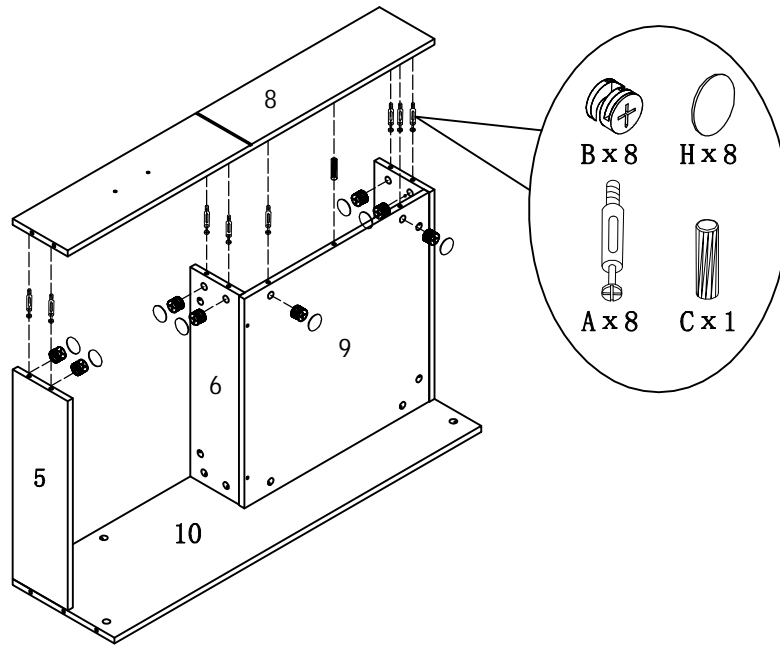
STEP2

STEP3



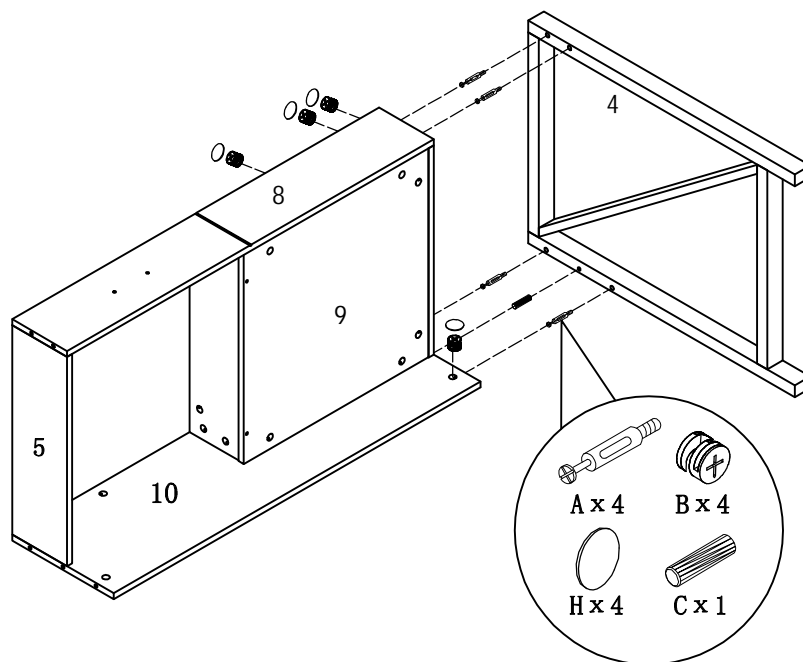
ASSEMBLY INSTRUCTION

ITEM#: 212868



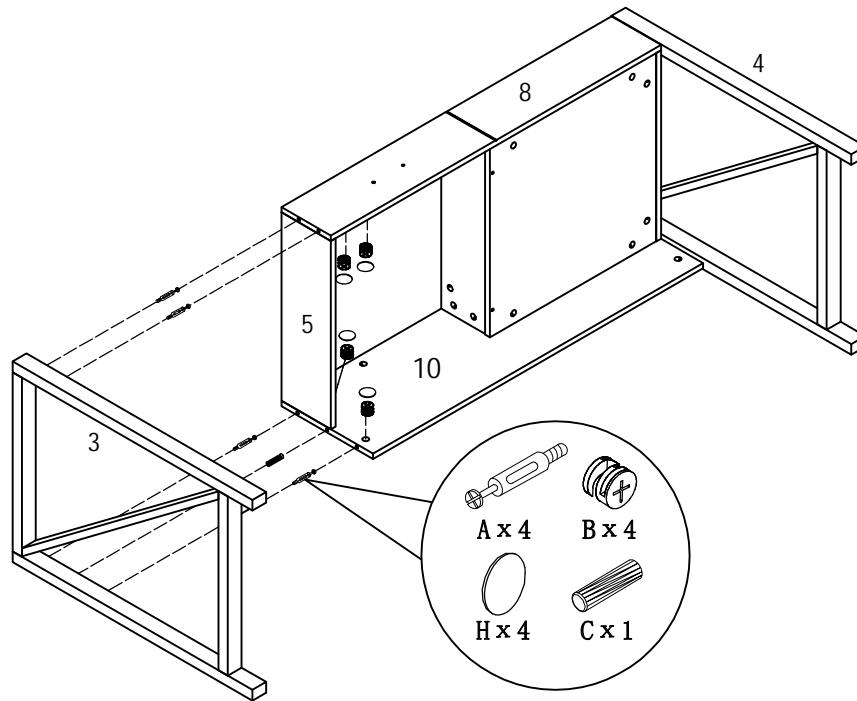
STEP 4

STEP 5



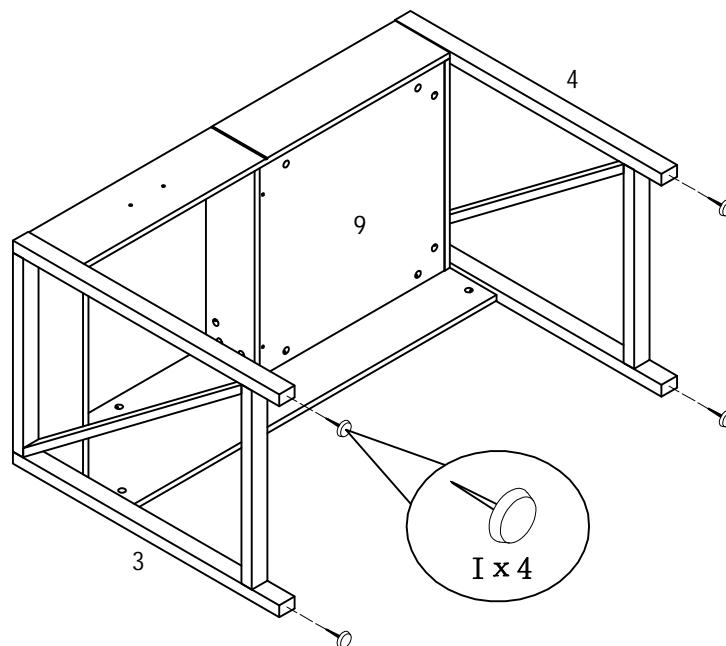
ASSEMBLY INSTRUCTION

ITEM#: 212868



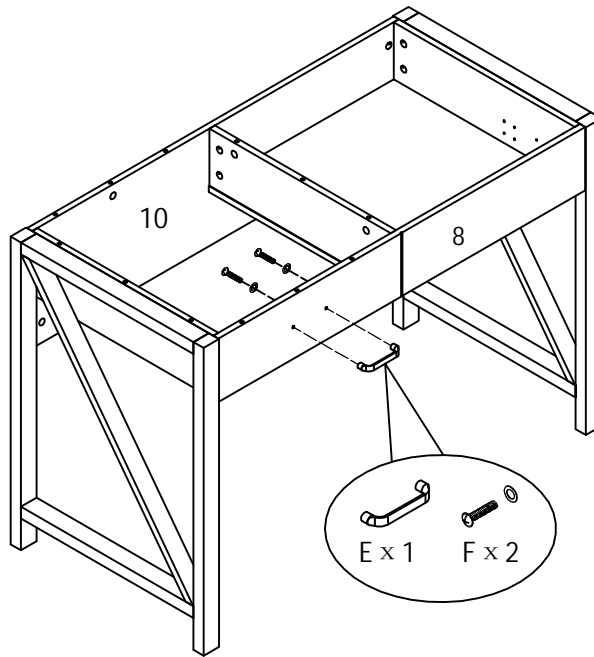
STEP6

STEP7



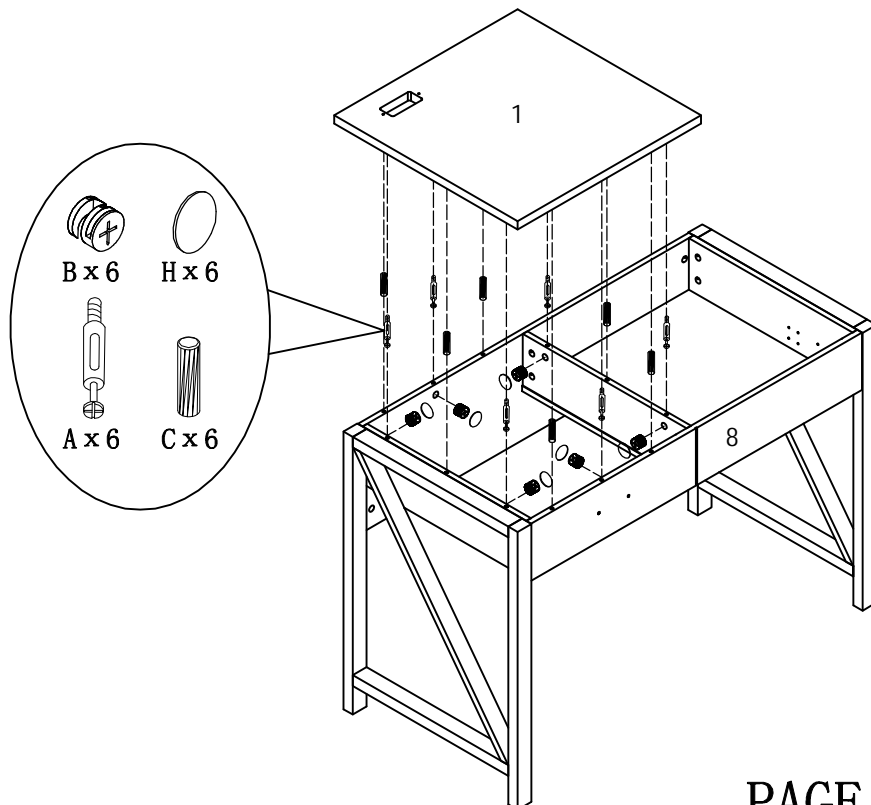
ASSEMBLY INSTRUCTION

ITEM#: 212868



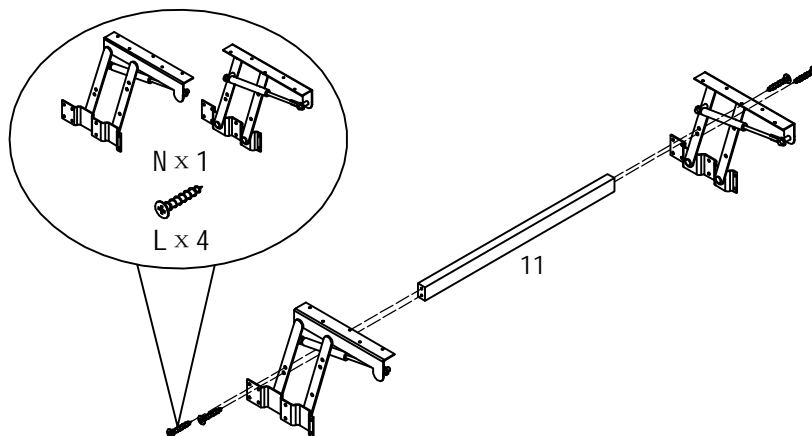
STEP8

STEP9



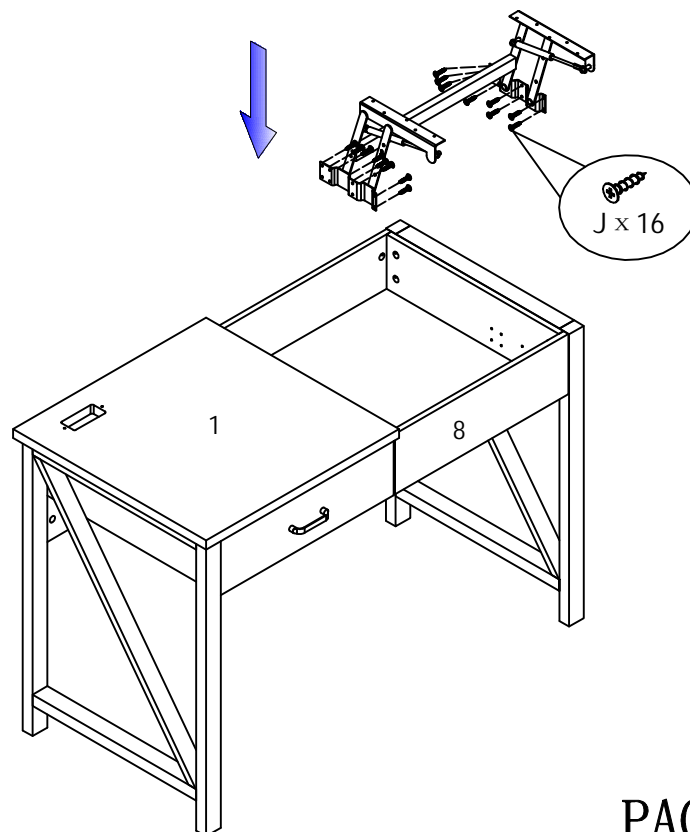
ASSEMBLY INSTRUCTION

ITEM#: 212868



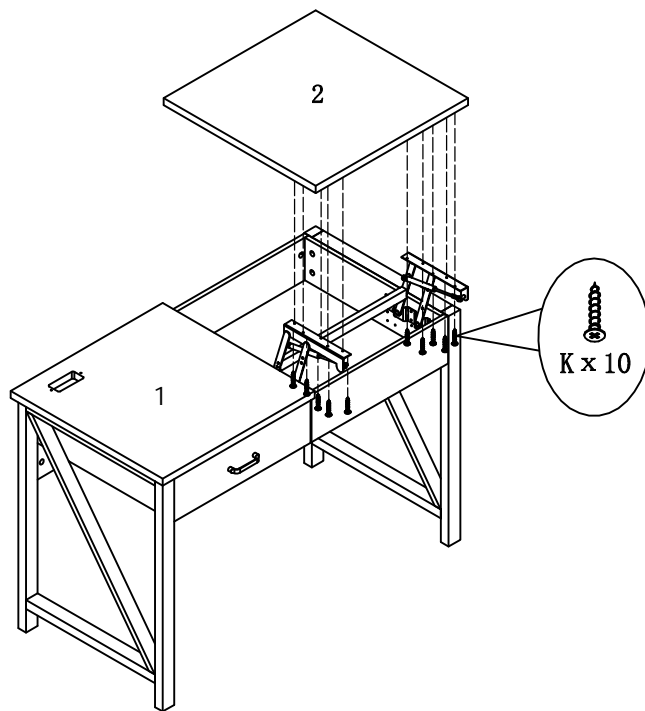
STEP 10

STEP 11



ASSEMBLY INSTRUCTION

ITEM#: 212868



STEP 12

STEP 13

