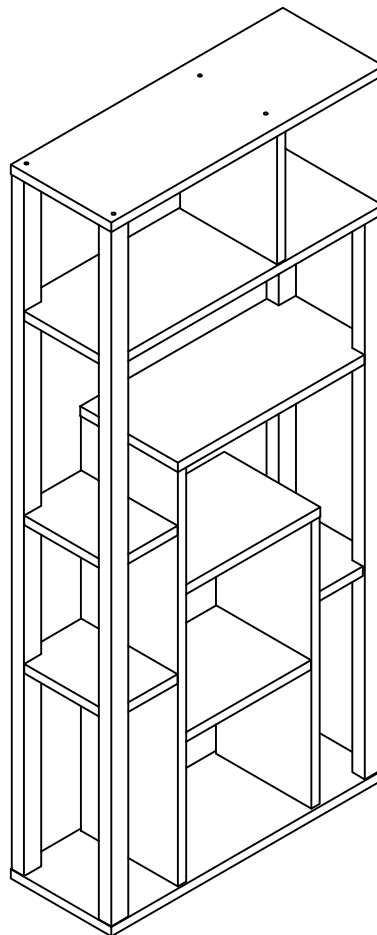


# ASSEMBLY INSTRUCTION

---

ITEM#: 202824



# ASSEMBLY INSTRUCTION

---

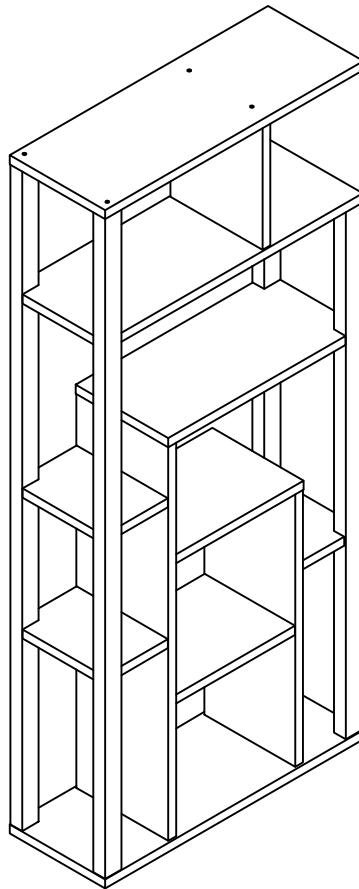
## PLEASE READ BEFORE ASSEMBLING!

Tip #1: Make sure you've taken all the pieces and hardware out of its packaging before discarding the box. Assembly on top of flattened box/blanket is recommended.

Tip #2: Using page 2 and/or page 3 of instruction manual make sure all pieces and hardware are accounted for.

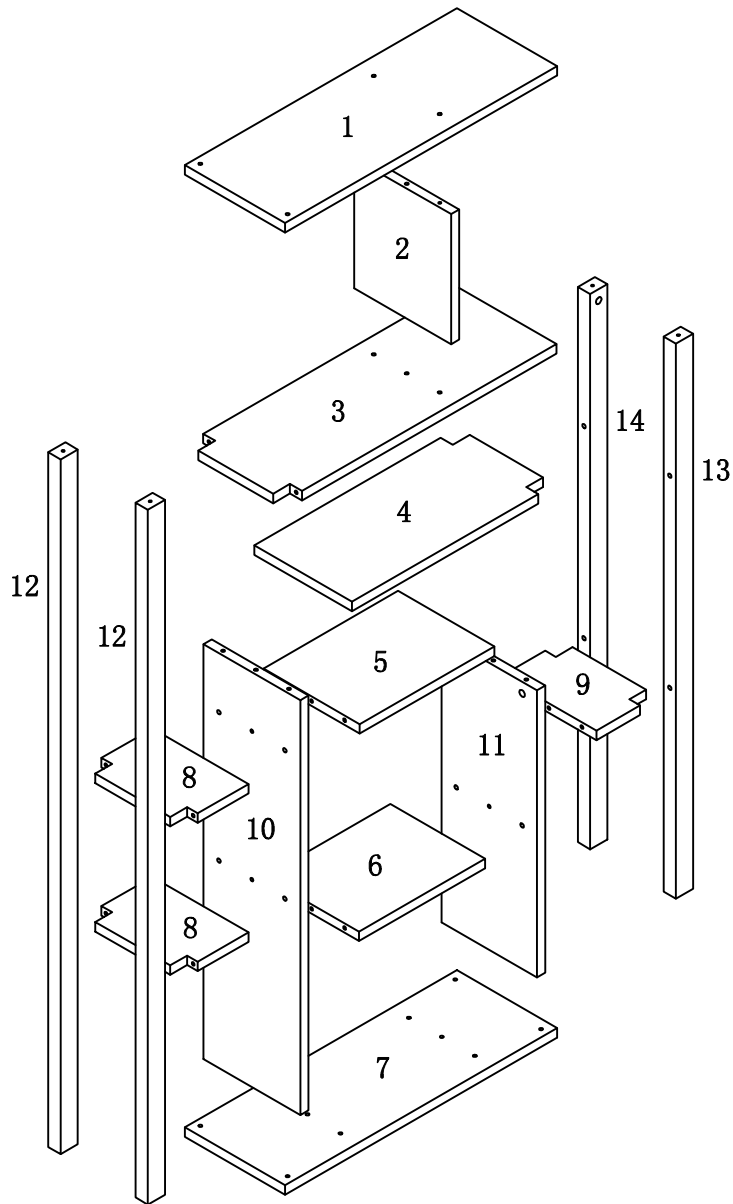
Tip #3: Note position of all holes on each panel during assembly.

ITEM#: 202824



# PARTS IDENTIFICATION




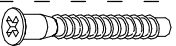
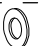



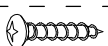
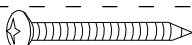
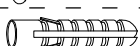

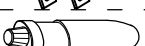
ITEM#: 202824



(1)	1pc	(6)	1pc	(11)	1pc
(2)	1pc	(7)	1pc	(12)	2pcs
(3)	1pc	(8)	2pcs	(13)	1pc
(4)	1pc	(9)	1pc	(14)	1pc
(5)	1pc	(10)	1pc		

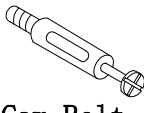

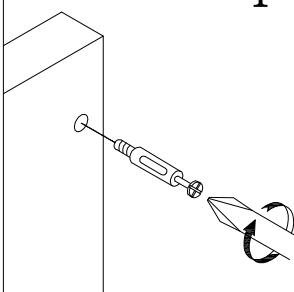
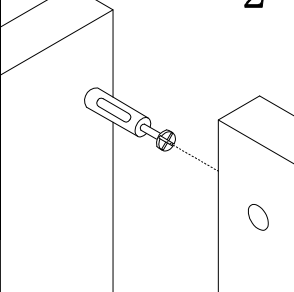
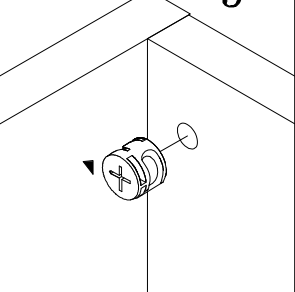
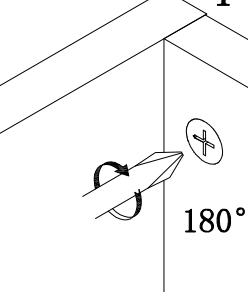
# HARDWARE IDENTIFICATION

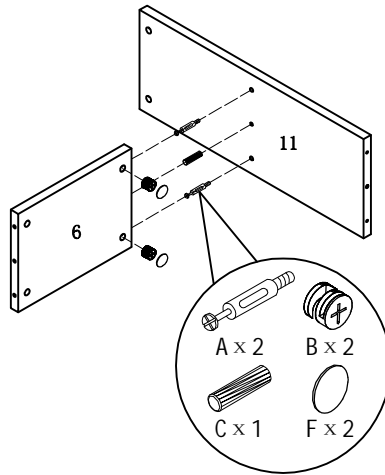
ITEM#: 202824

A		L29	28pcs
B		ø15	28pcs
C		ø8x25	12pcs
D		ø7x48	14pcs
E		ø16xø8x2	14pcs
F		ø22	30pcs
G		ø16	4pcs
H		197×5×1	1pc
I		ø4x25	1pc
J		ø5x40	1pc
K		ø8 x 40	1pc
L		12×12×1	2pcs
M		Glue: For securing please apply to wood dowel first before inserting into panel	1pc

# ASSEMBLY INSTRUCTION

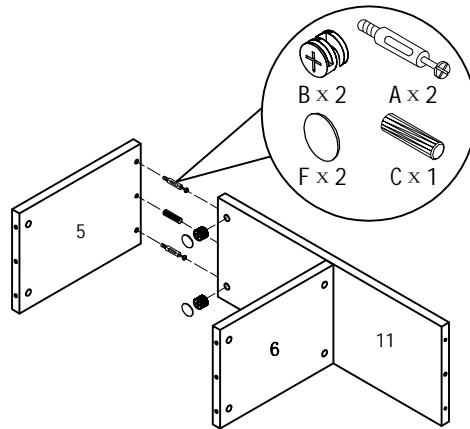
ITEM#: 202824

<p>HOW TO</p>  <p>Cam Bolt</p>  <p>Cam Lock</p>	<p>1</p>  <p>1. Screw Cam Bolt into panel.</p>	<p>2</p>  <p>2. Insert Cam Bolt into bolt hole of joining panel.</p>	<p>3</p>  <p>3. Insert Cam Lock. arrow facing bolt.</p>	<p>4</p>  <p>4. Gently turn Cam Lock clockwise to lock position. 180°</p>
---	---	---	---	--



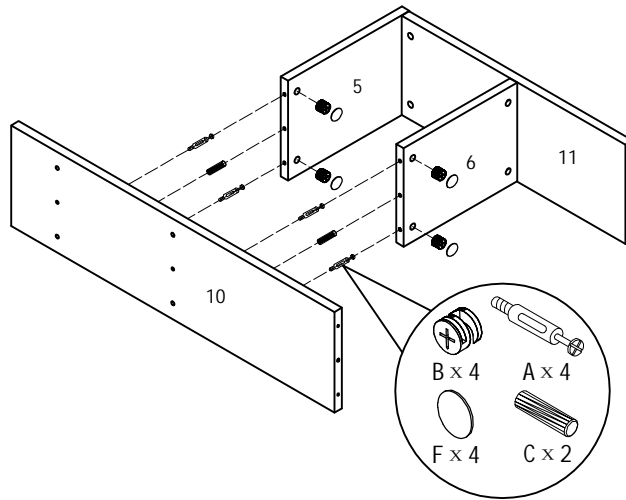
STEP 1

STEP 2



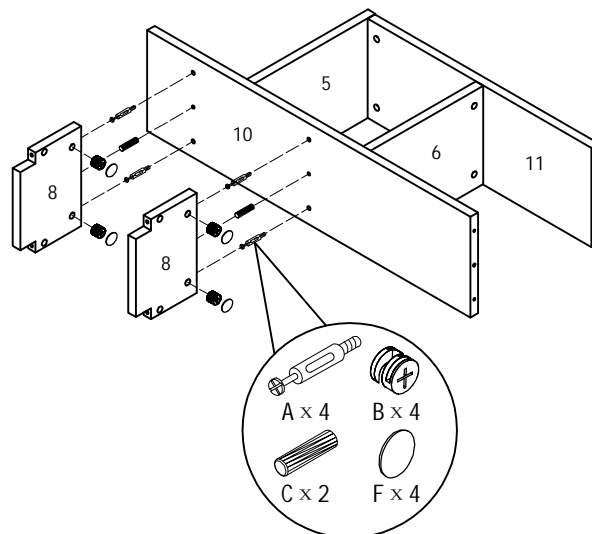
# ASSEMBLY INSTRUCTION

ITEM#: 202824



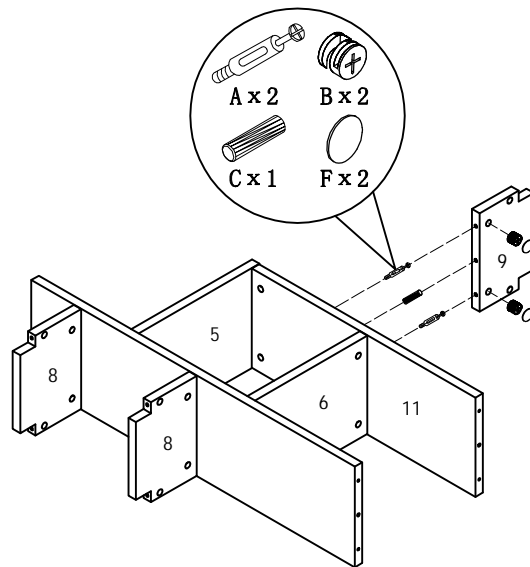
STEP3

STEP4



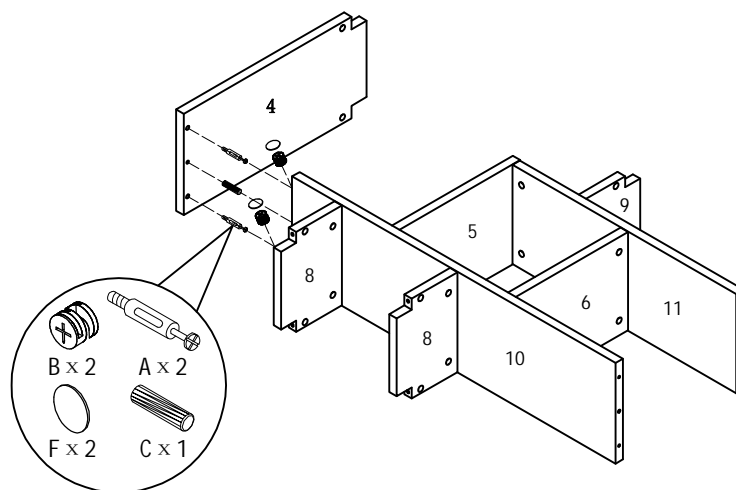
# ASSEMBLY INSTRUCTION

ITEM#: 202824



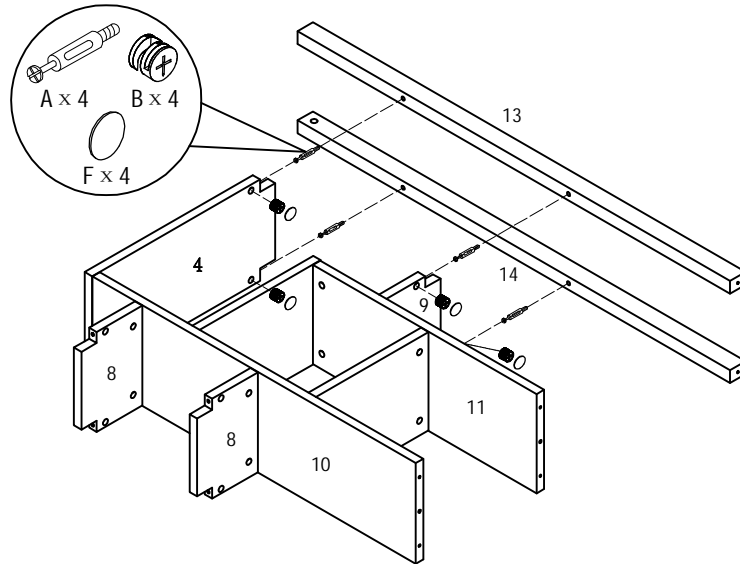
STEP5

STEP6



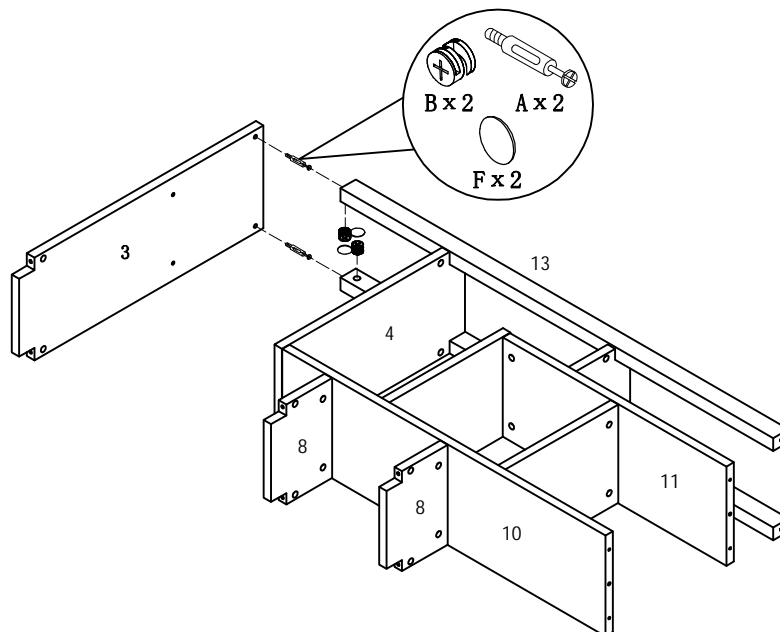
# ASSEMBLY INSTRUCTION

ITEM#: 202824



STEP 7

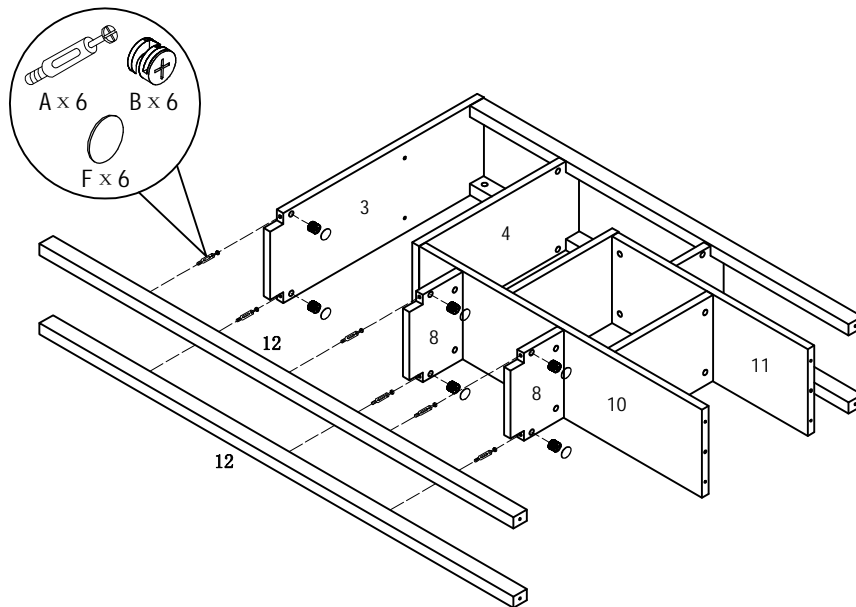
STEP 8





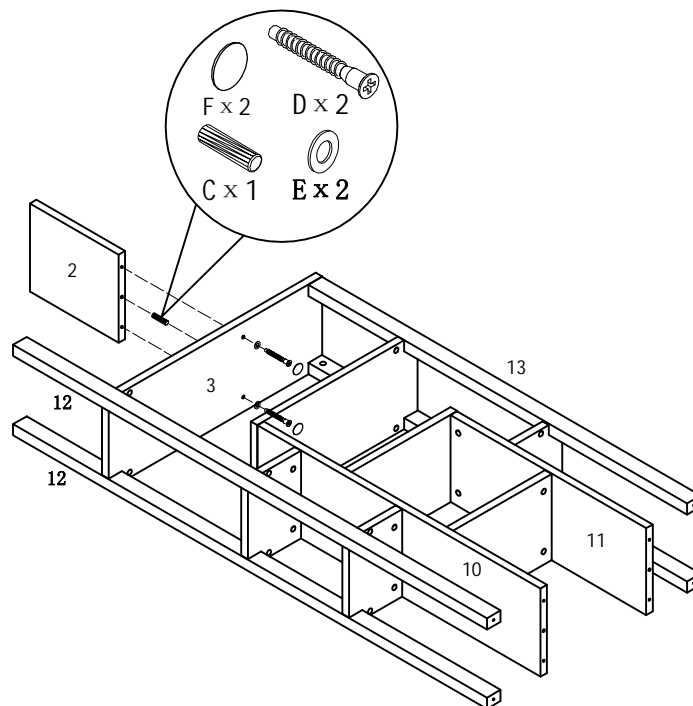
# ASSEMBLY INSTRUCTION

ITEM#: 202824



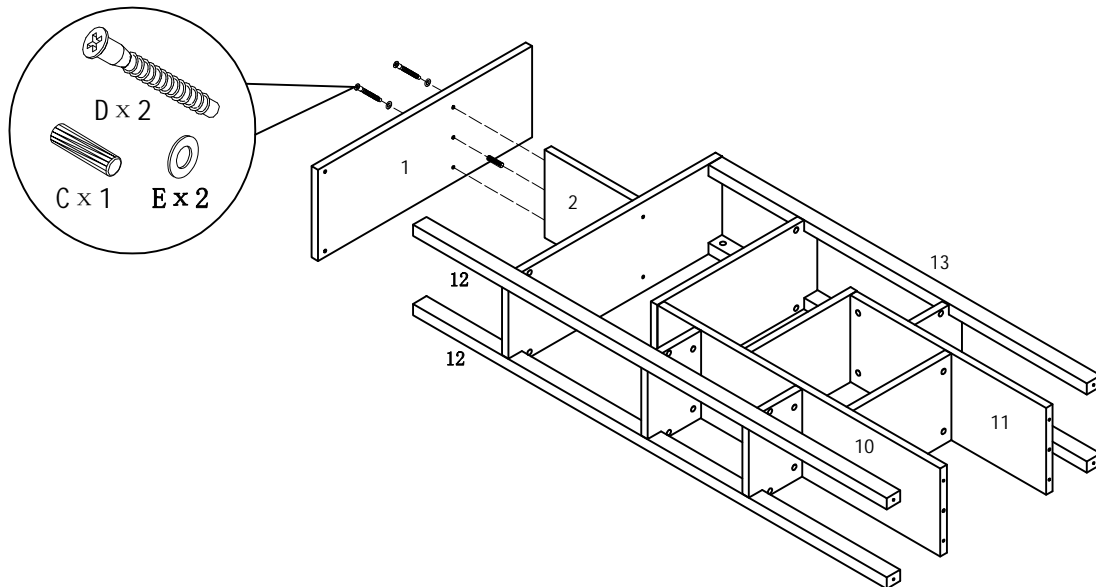
STEP9

STEP10



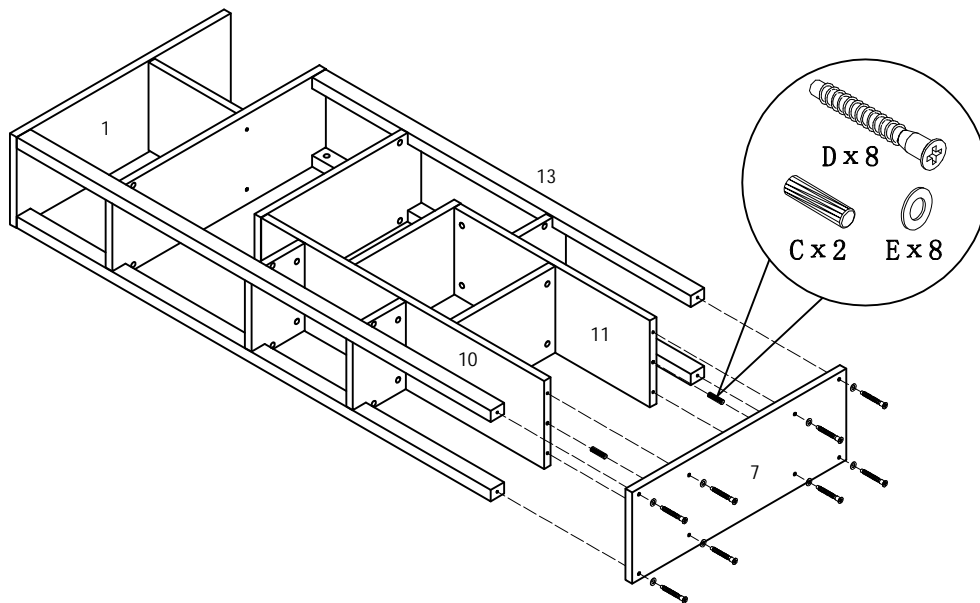
# ASSEMBLY INSTRUCTION

ITEM#: 202824



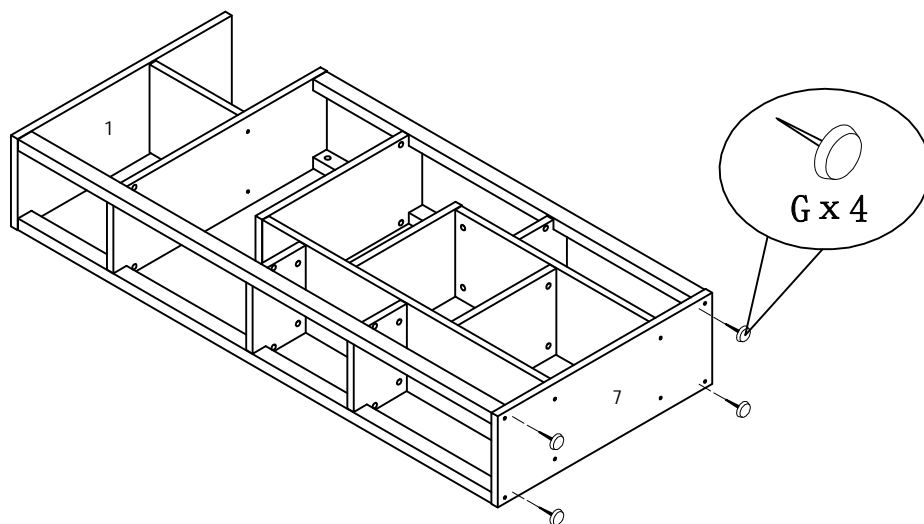
STEP 11

STEP 12



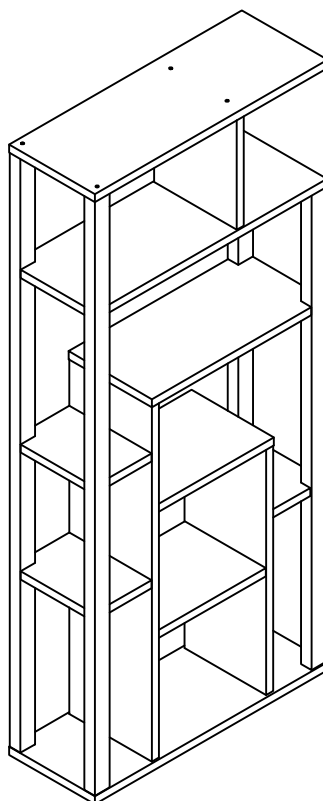
# ASSEMBLY INSTRUCTION

ITEM#: 202824



STEP13

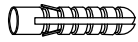
STEP14



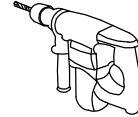
# ANTI-TIPPING STRAP INSTRUCTION

## HARDWARE (INCLUDED) :

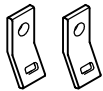
## TOOLS NEEDED ( NOT INCLUDED) :



DRYWALL ANCHOR  $\phi 8 \times 40$  X 1PC



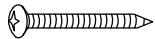
DRILL & DRILL BIT



METAL BRACKETS  $12 \times 12 \times 1$  X 2PCS



LIGHT HAMMER



DRYWALL SCREW  $\phi 5 \times 40$  X 1PC



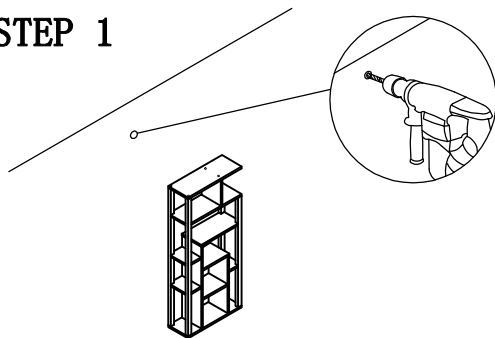
STRAP  $197 \times 5 \times 1$  X 1PC



FLATHEAD SCREW  $\phi 4 \times 25$  X 1PC

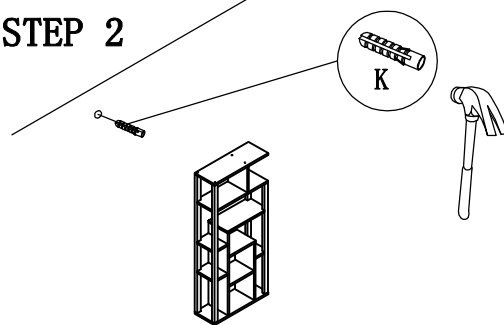
Note: Hardware included only compatible with standard drywalls.

### STEP 1



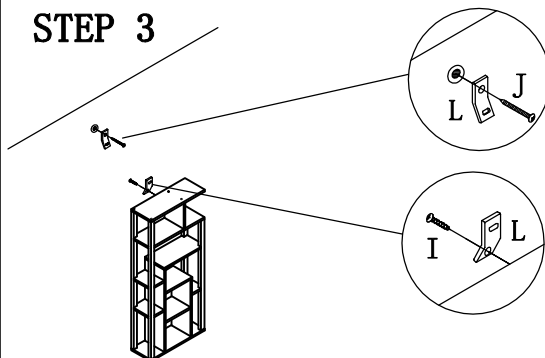
1. Find spot on wall 1" below top of item.
2. Using a drill bit slightly thinner than anchor, drill hole into drywall.

### STEP 2



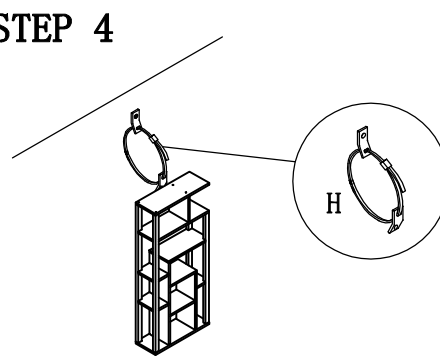
1. Use a light hammer to tap anchor into hole.
2. Anchor should fit snugly. If hole is too small, drill again to increase hole size. Do not force anchor into wall.

### STEP 3



1. Insert drywall screw into metal bracket and into drywall anchor.
2. Insert flathead screw into second metal bracket and into back of item along top edge.

### STEP 4



1. Insert strap thru bracket attached to wall, then thru bracket on item, and into head of strap.
  2. pull lightly til strap stops.
- Assembly is complete.