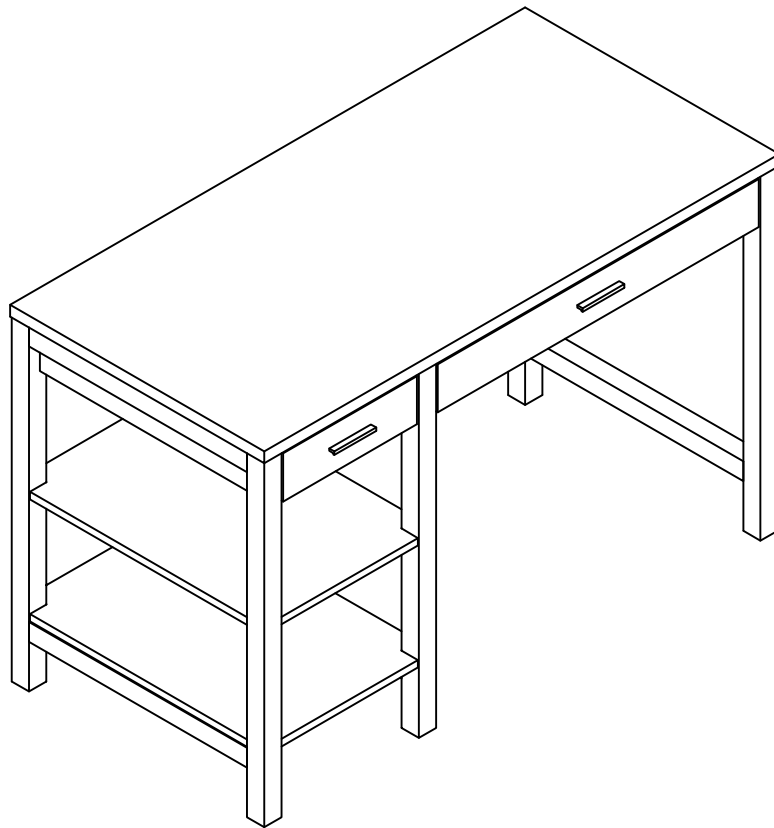


ASSEMBLY INSTRUCTION

ITEM#: 192475



ASSEMBLY INSTRUCTION

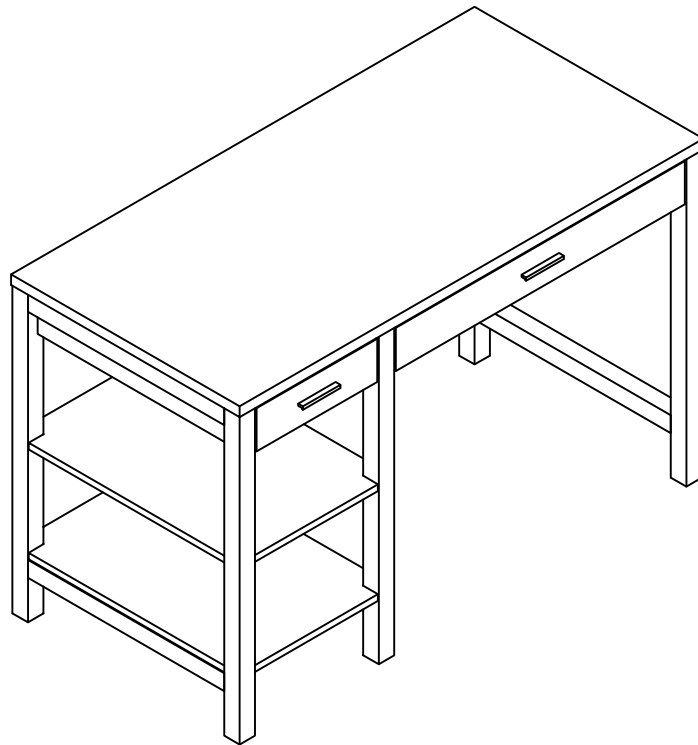
PLEASE READ BEFORE ASSEMBLING!

Tip #1: Make sure you've taken all the pieces and hardware out of its packaging before discarding the box. Assembly on top of flattened box/blanket is recommended.

Tip #2: Using page 2 and/or page 3 of instruction manual make sure all pieces and hardware are accounted for.

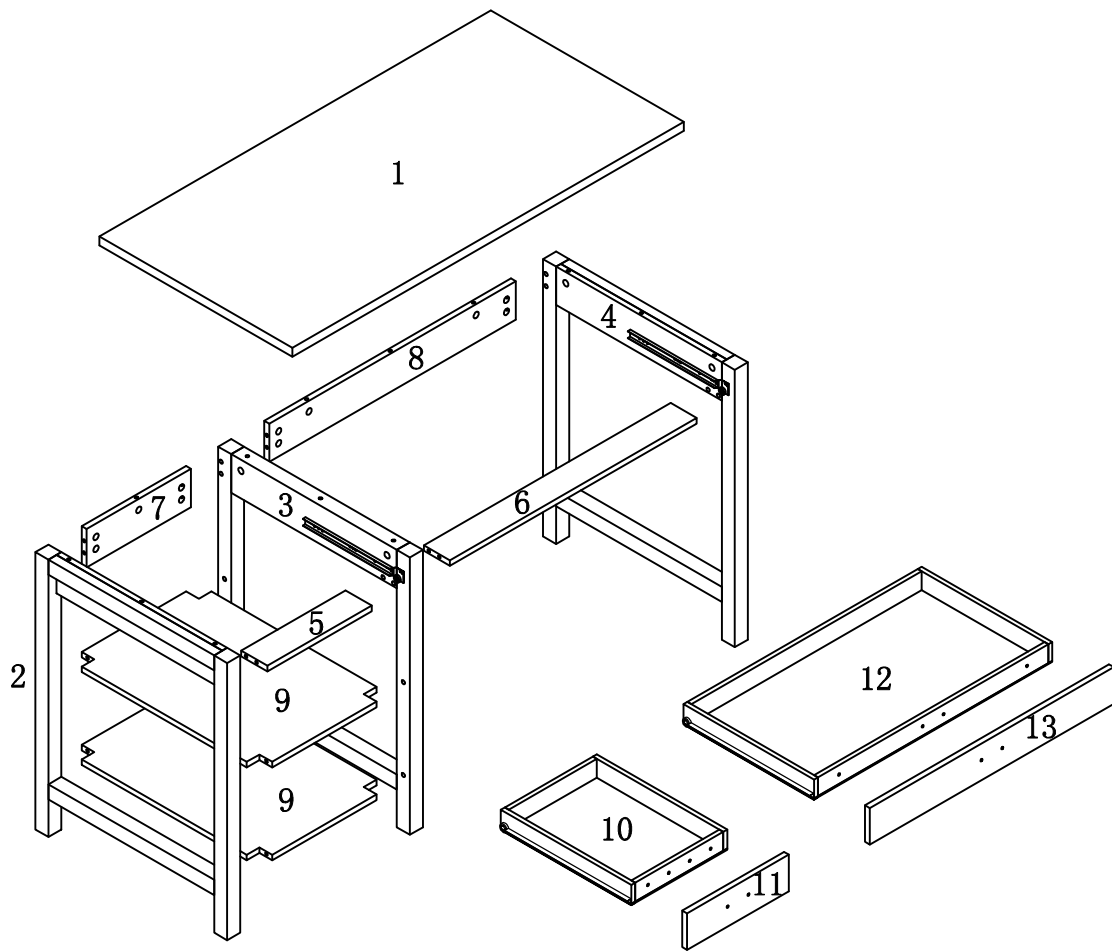
Tip #3: Note position of all holes on each panel during assembly.

ITEM#: 192475



PARTS IDENTIFICATION




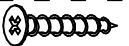
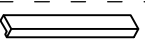



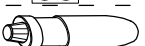
ITEM#: 192475



(1)	1pc	(6)	1pc	(11)	1pc
(2)	1pc	(7)	1pc	(12)	1pc
(3)	1pc	(8)	1pc	(13)	1pc
(4)	1pc	(9)	2pcs		
(5)	1pc	(10)	1pc		

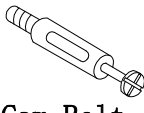

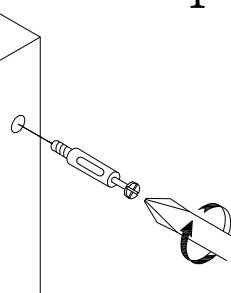
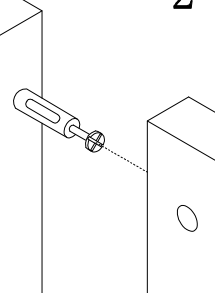
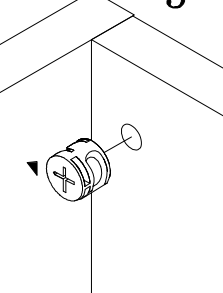
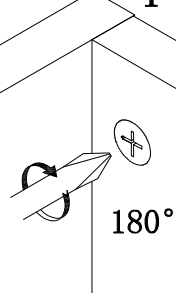
HARDWARE IDENTIFICATION

ITEM#: 192475

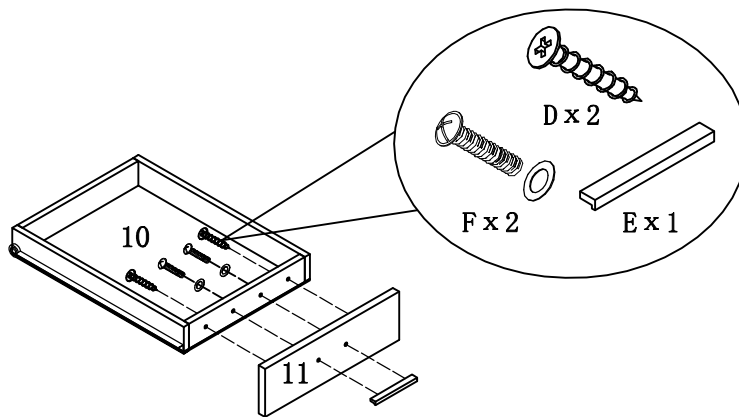
A		L29	33pcs
B		ø15	33pcs
C		ø8x25	4pcs
D		ø4x25	4pcs
E			2pcs
F		M4x35	4pcs
G		ø16	6pcs
H		ø22	4pcs
I		Glue: For securing please apply to wood dowel first before inserting into panel	1pc

ASSEMBLY INSTRUCTION

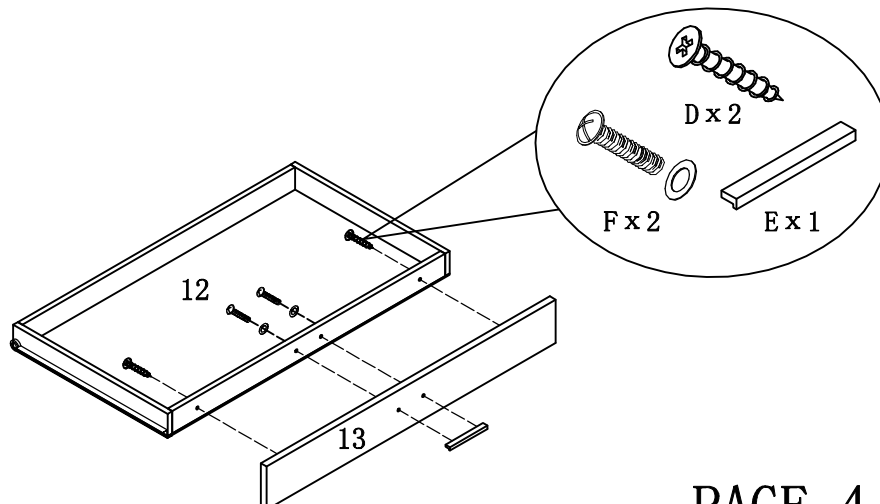
ITEM#: 192475

<p>HOW TO</p>  <p>Cam Bolt</p>  <p>Cam Lock</p>	<p>1</p>  <p>1. Screw Cam Bolt into panel.</p>	<p>2</p>  <p>2. Insert Cam Bolt into bolt hole of joining panel.</p>	<p>3</p>  <p>3. Insert Cam Lock. arrow facing bolt.</p>	<p>4</p>  <p>4. Gently turn Cam Lock clockwise to lock position. 180°</p>
---	---	---	---	--

STEP 1

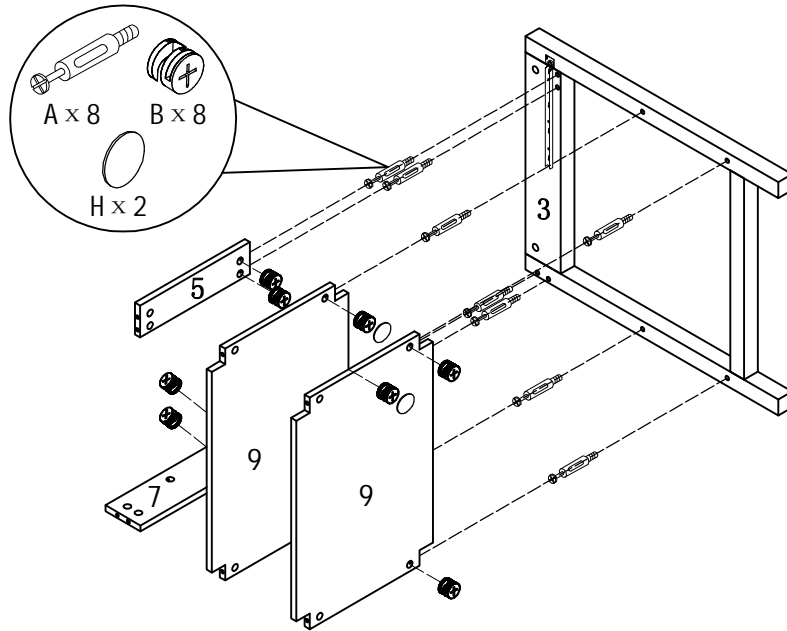


STEP 2



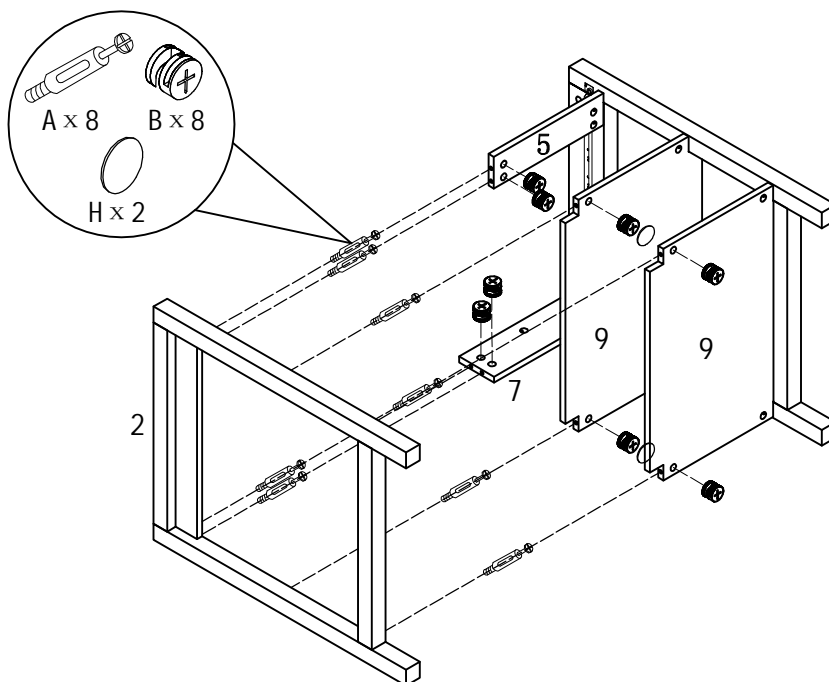
ASSEMBLY INSTRUCTION

ITEM#: 192475



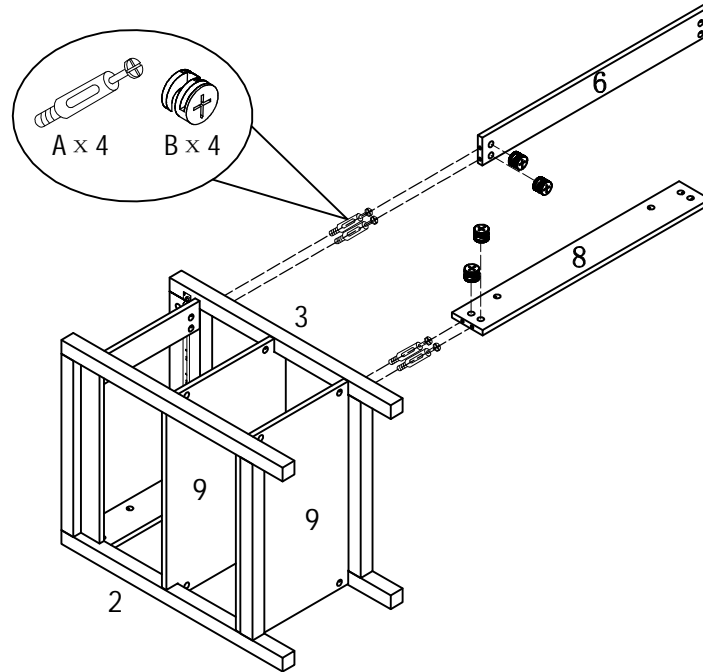
STEP 3

STEP 4



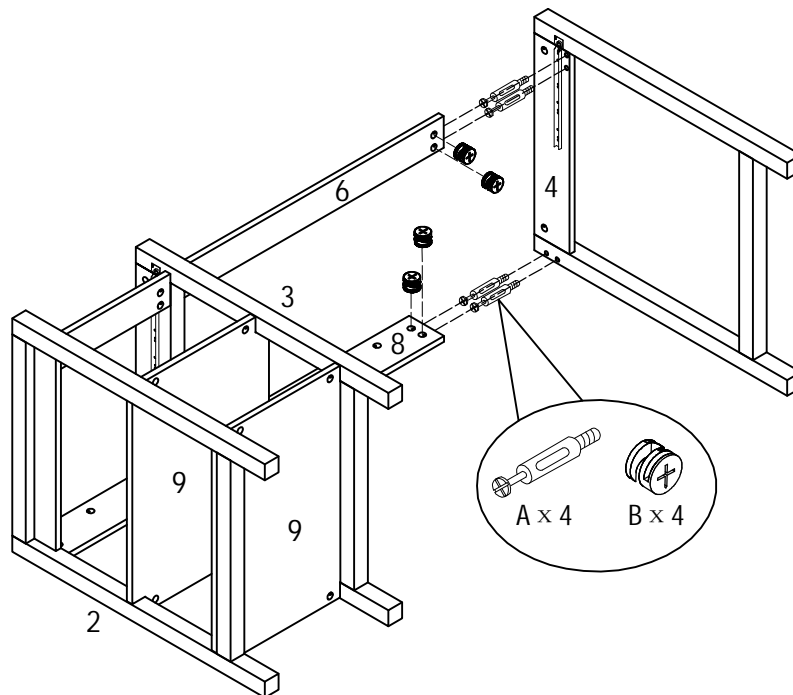
ASSEMBLY INSTRUCTION

ITEM#: 192475



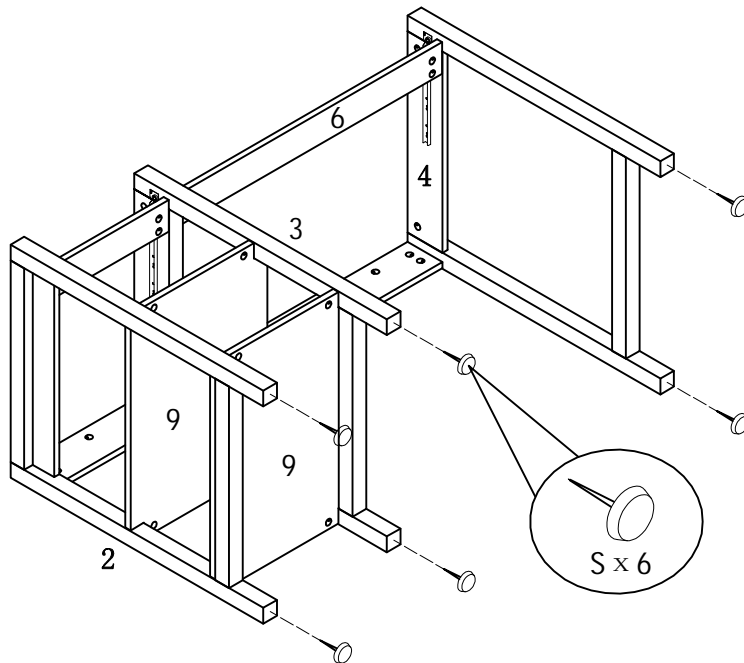
STEP5

STEP6



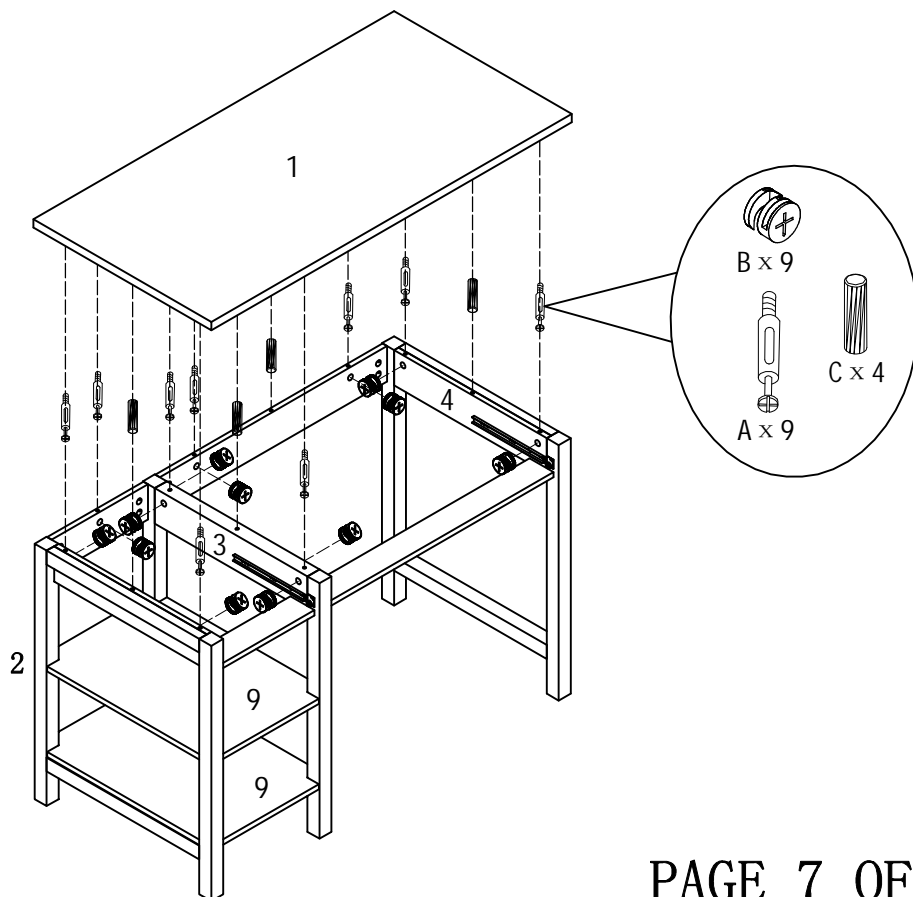
ASSEMBLY INSTRUCTION

ITEM#: 192475



STEP 7

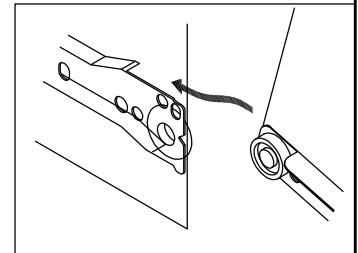
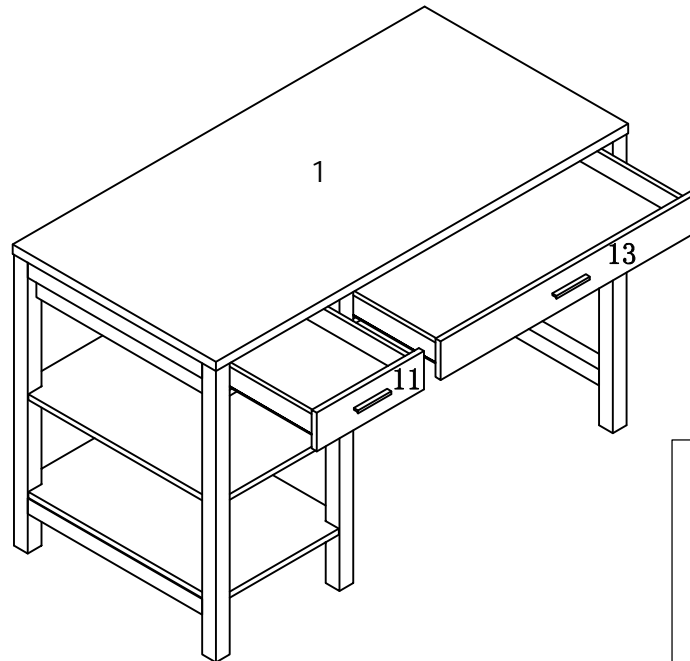
STEP 8



PAGE 7 OF 8

ASSEMBLY INSTRUCTION

ITEM#: 192475



STEP9

STEP10

