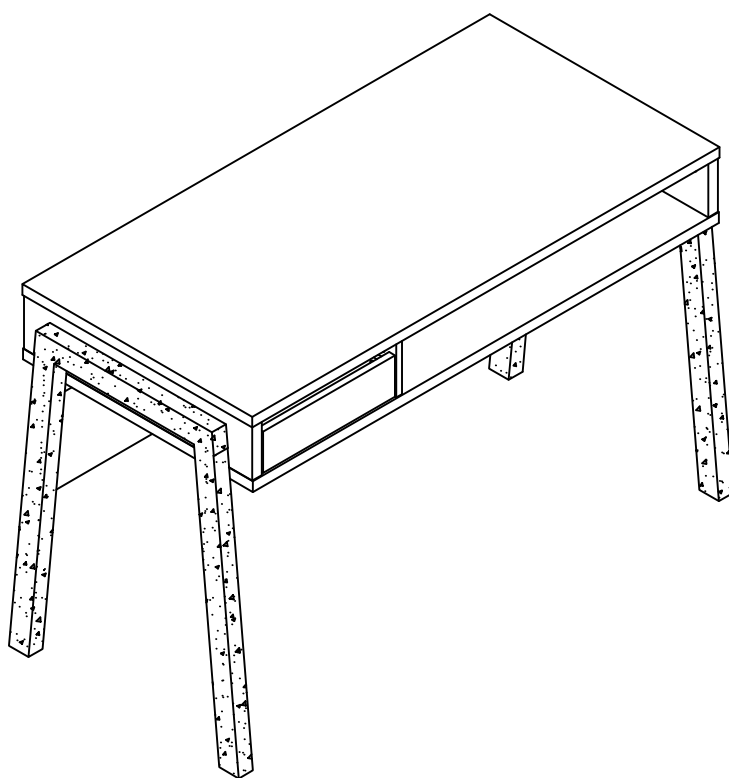


ASSEMBLY INSTRUCTION

ITEM#: 151400



ASSEMBLY INSTRUCTION

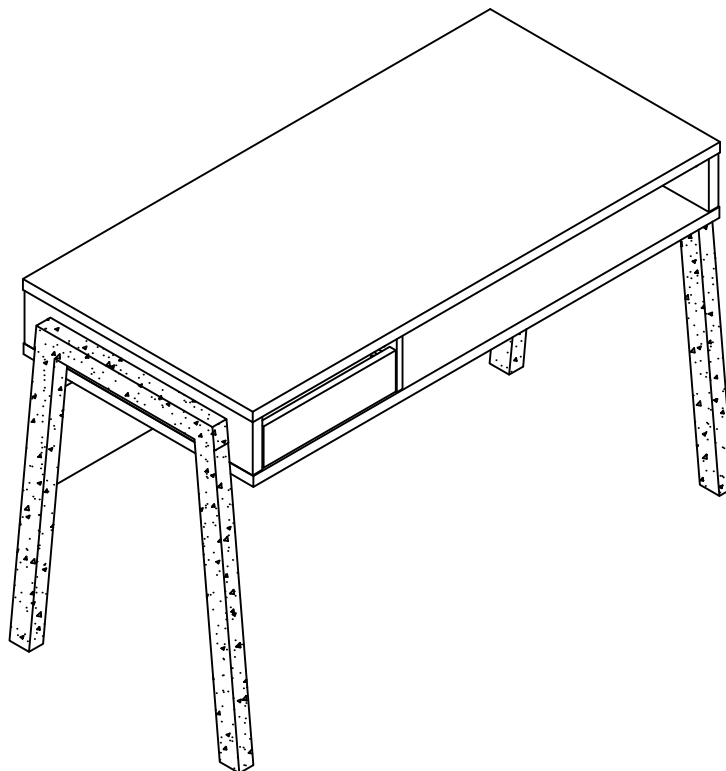
PLEASE READ BEFORE ASSEMBLING!

Tip #1: Make sure you've taken all the pieces and hardware out of its packaging before discarding the box.

Tip #2: Using page 2 and/or page 3 of instruction manual make sure all pieces and hardware are accounted for.

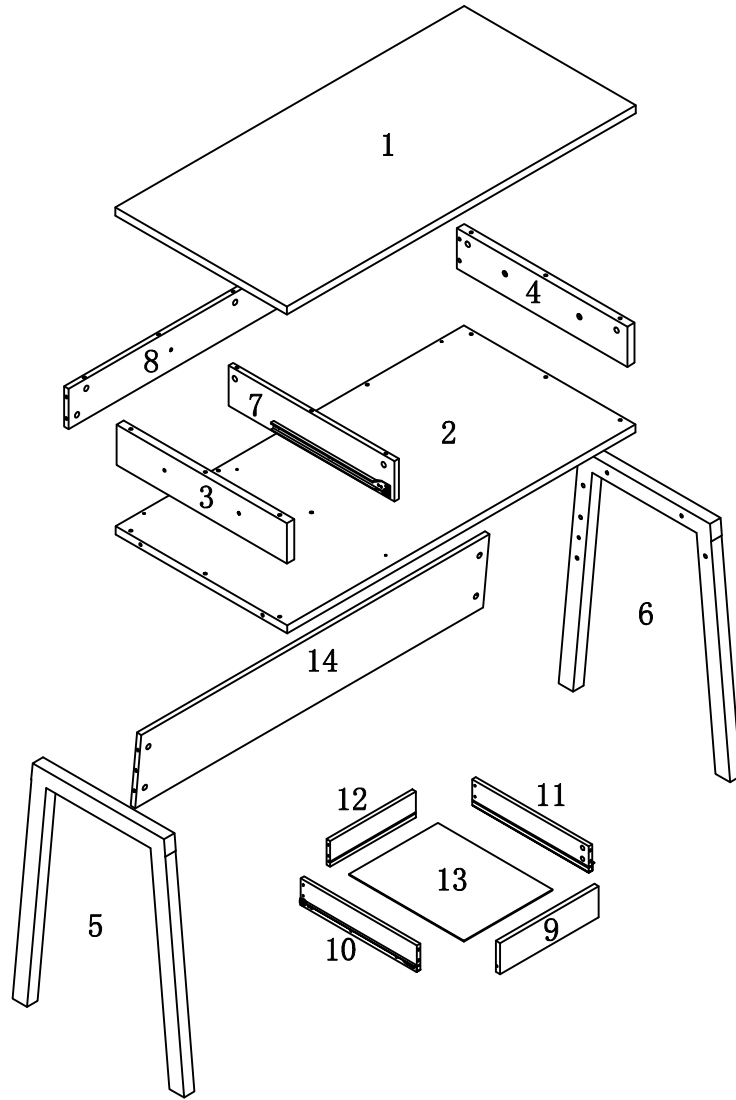
Tip #3: Read manual before assembling, it helps!

ITEM#: 151400



PARTS IDENTIFICATION




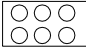


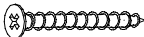
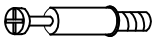


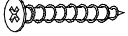


ITEM#: 151400



(1)	1pc	(11)	1pc
(2)	1pc	(12)	1pc
(3)	1pc	(13)	1pc
(4)	1pc	(14)	1pc
(5)	1pc		
(6)	1pc		
(7)	1pc		
(8)	1pc		
(9)	1pc		
(10)	1pc		

HARDWARE IDENTIFICATION

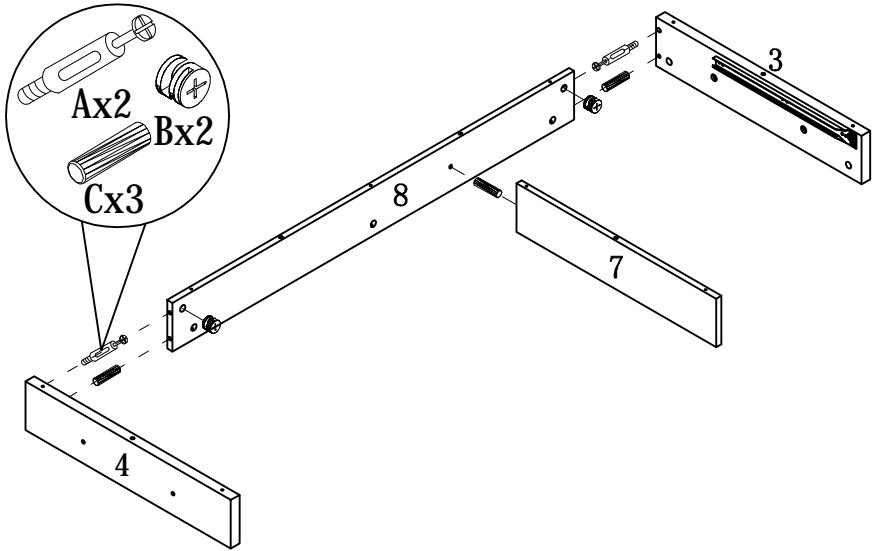
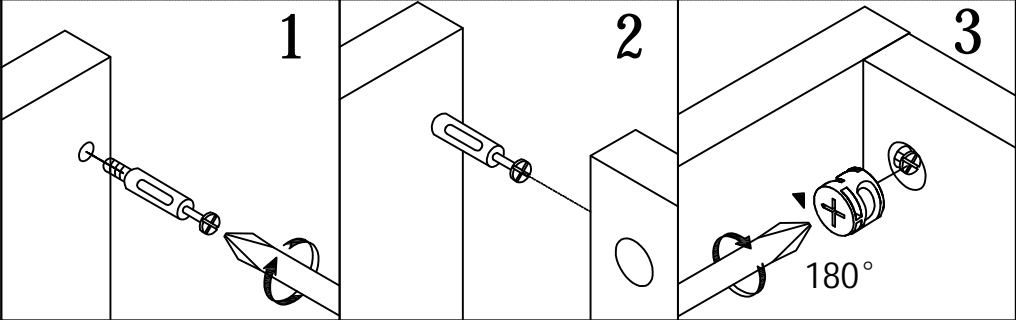
ITEM#: 151400

A		L29	19pcs
B		Ø15	19pcs
C		Ø8x25	15pcs
D		Ø20	12pcs
E		M7x48	4pcs
F		Ø8xØ16x2	4pcs
G		Ø4x40	5pcs
H		L20	4pcs
I		Ø12	4pcs
J		Ø16	4pcs
K		Ø4x30	4pcs
L		M6x30	4pcs
Q		Glue: For securing please apply to wood dowel first before inserting into panel	1pc

ASSEMBLY INSTRUCTION

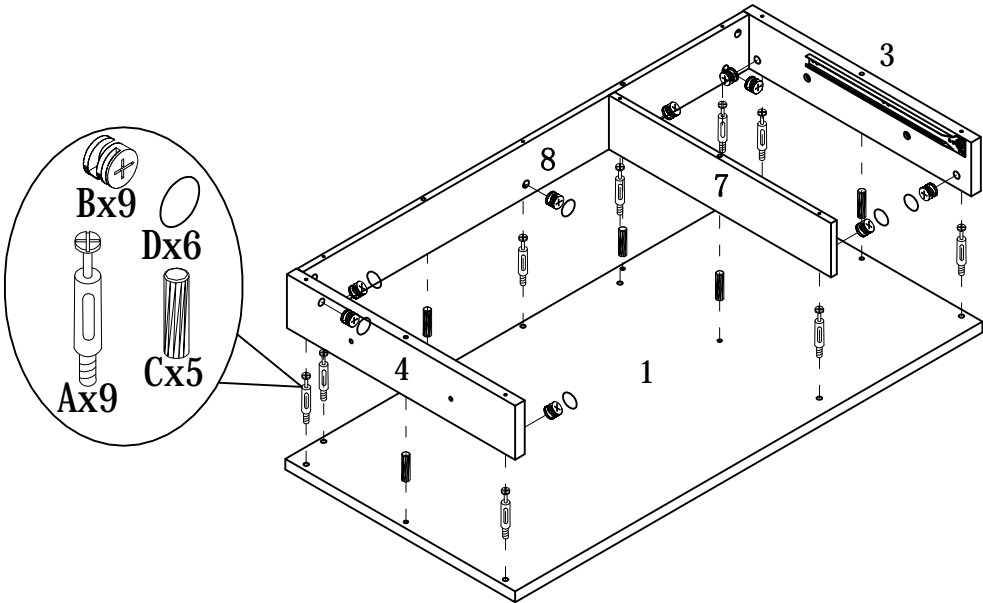
ITEM#: 151400

HOW TO



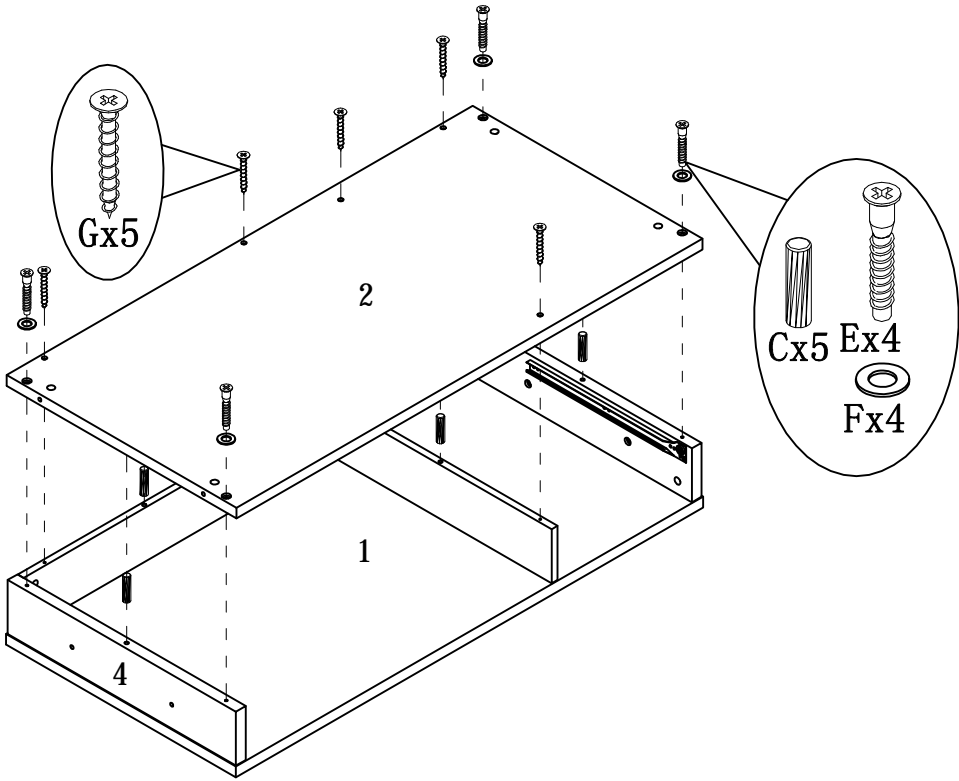
STEP 1

STEP 2



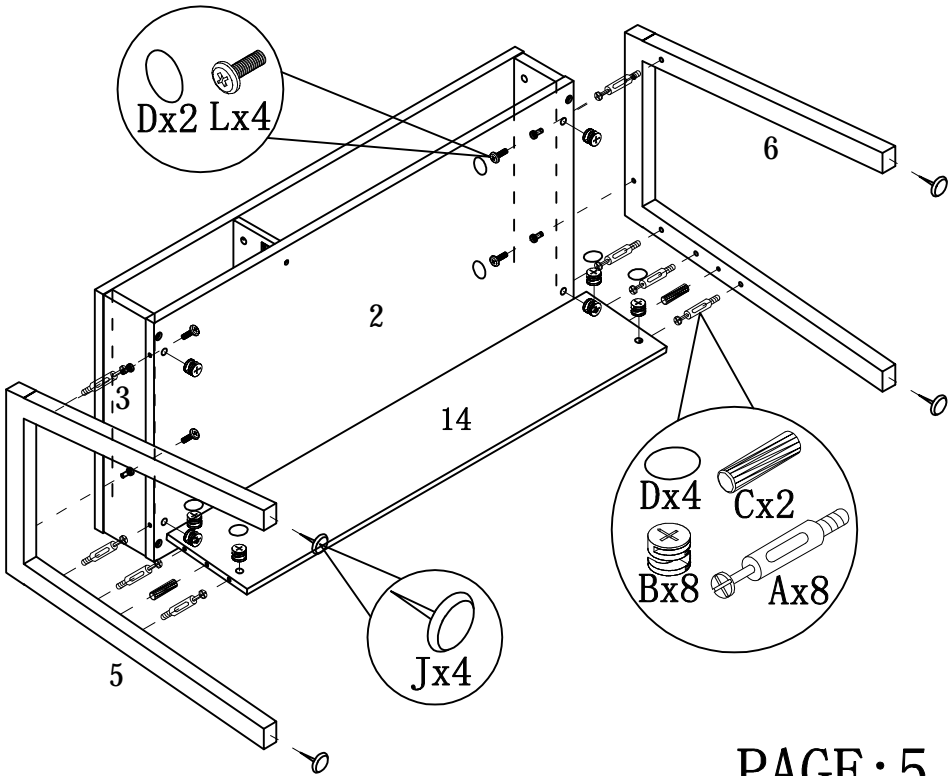
ASSEMBLY INSTRUCTION

ITEM#: 151400



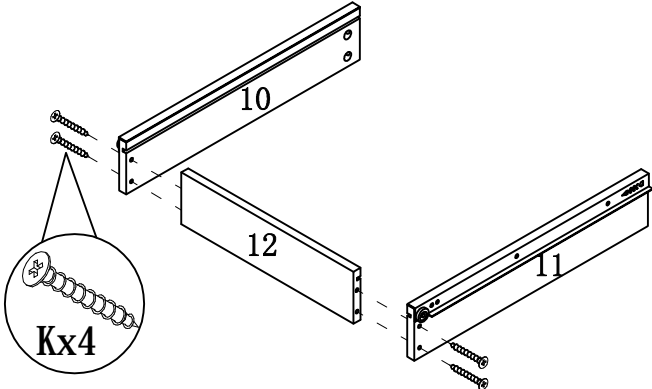
STEP3

STEP4



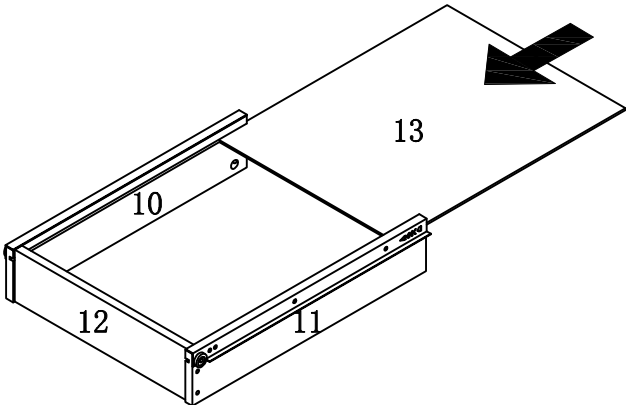
ASSEMBLY INSTRUCTION

ITEM#: 151400

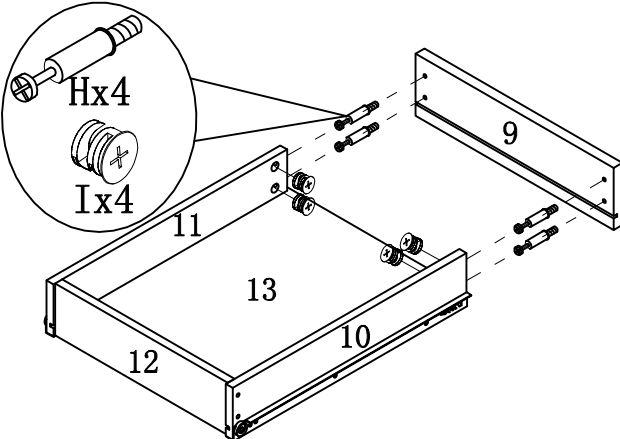


STEP5

STEP6

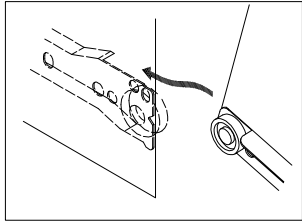
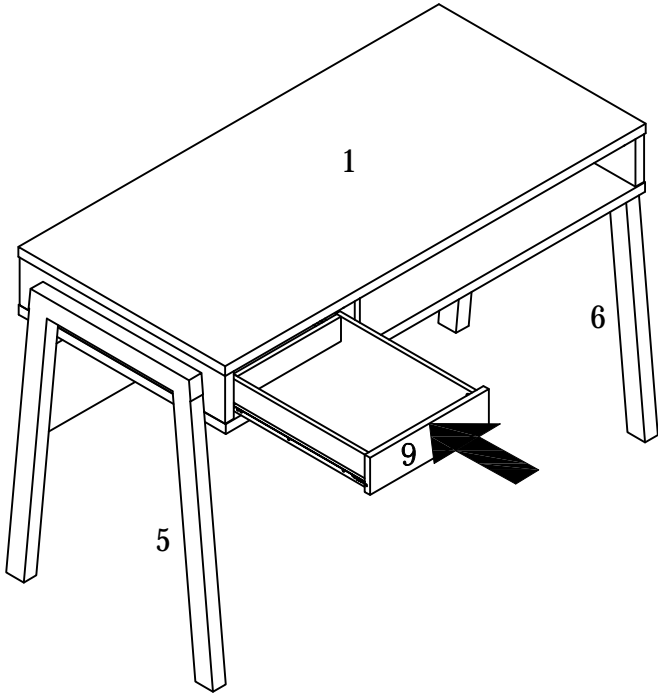


STEP7



ASSEMBLY INSTRUCTION

ITEM#: 151400



STEP8

STEP9

