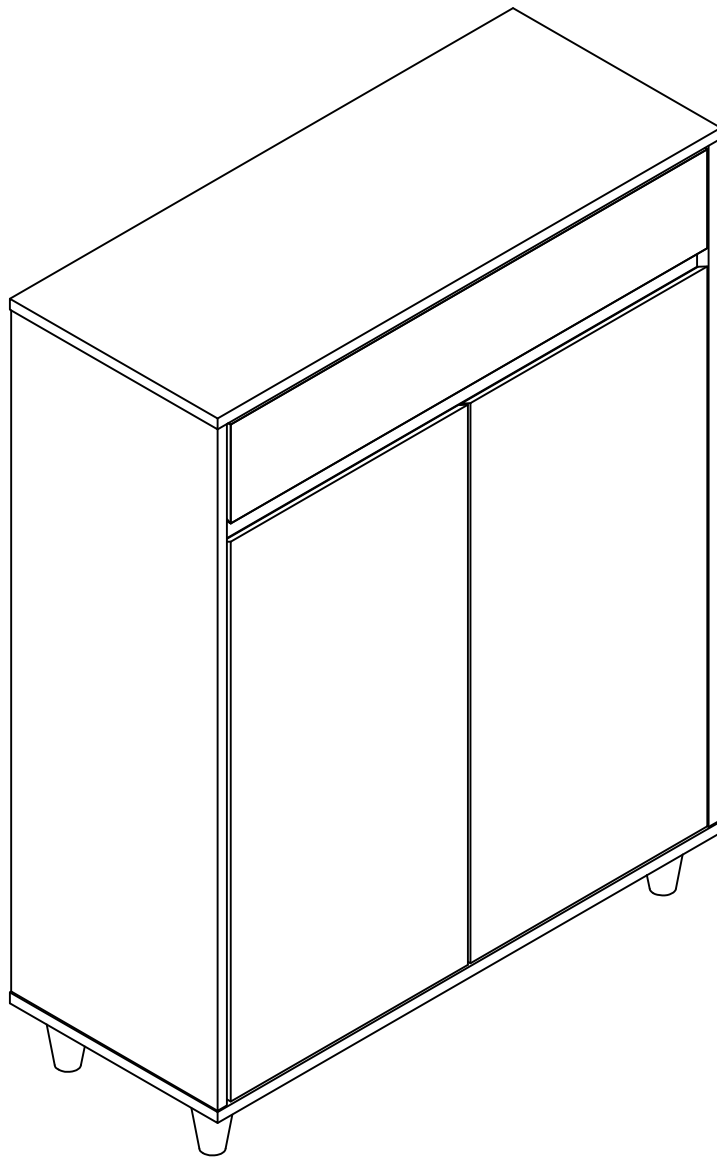


ASSEMBLY INSTRUCTION

ITEM#: 223108



ASSEMBLY INSTRUCTION

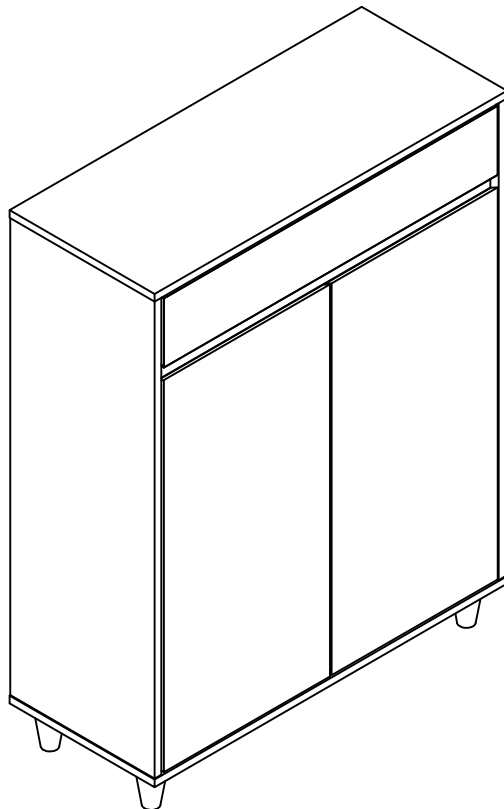
PLEASE READ BEFORE ASSEMBLING!

Tip #1: Make sure you've taken all the pieces and hardware out of its packaging before discarding the box.

Tip #2: Using page 2 and/or page 3 of instruction manual make sure all pieces and hardware are accounted for.

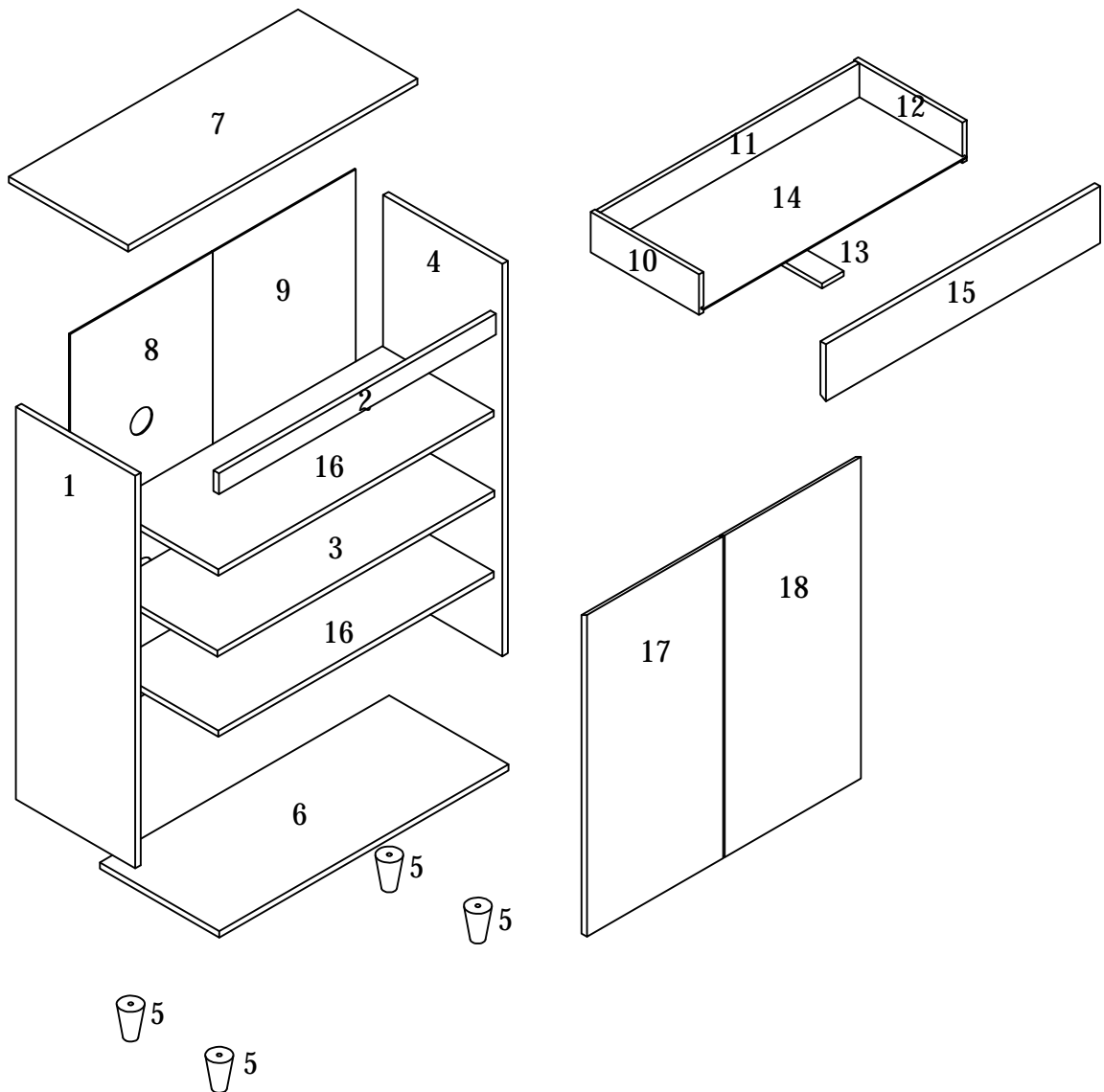
Tip #3: Read manual before assembling, it helps!

ITEM#: 223108



PARTS IDENTIFICATION




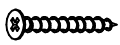



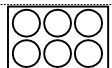



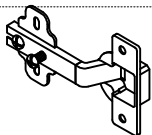
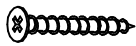
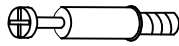

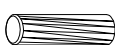


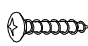
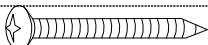
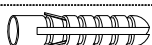

ITEM#: 223108



(1)	1pc	(7)	1pc	(13)	1pc
(2)	1pc	(8)	1pc	(14)	1pc
(3)	1pc	(9)	1pc	(15)	1pc
(4)	1pc	(10)	1pc	(16)	2pcs
(5)	1pc	(11)	1pc	(17)	1pc
(6)	1pc	(12)	1pc	(18)	1pc

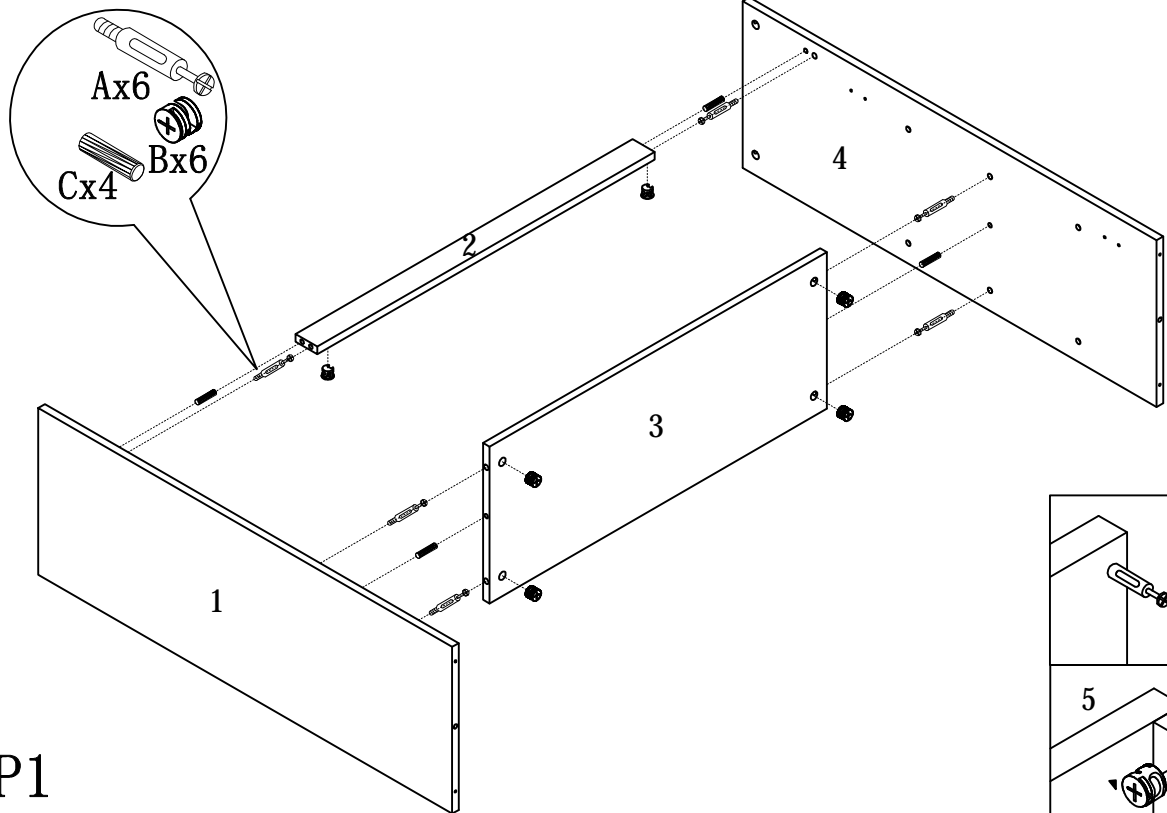
HARDWARE IDENTIFICATION

ITEM#: 223108

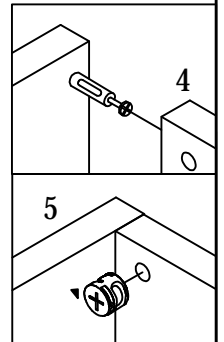
A		L29	10pcs
B		φ15	10pcs
C		φ8x25	12pcs
D		φ4x30	10pcs
E		φ8x25	4pcs
F		φ8xφ16x2	4pcs
G		M5	1pc
H		φ22	4pcs
I		φ68	2pcs
J			30pcs
K		φ5	8pcs
L		301C	4pcs
M		φ4x16	16pcs
N		L20	4pcs
O		φ12	4pcs
P		φ6x30	2pcs
Q			4pcs
R		197×5×1	1PC
S		ø4×25	1PC
T		ø5×40	1PC
U		ø8×40	1PC
V		12×12×1	2PCS

ASSEMBLY INSTRUCTION

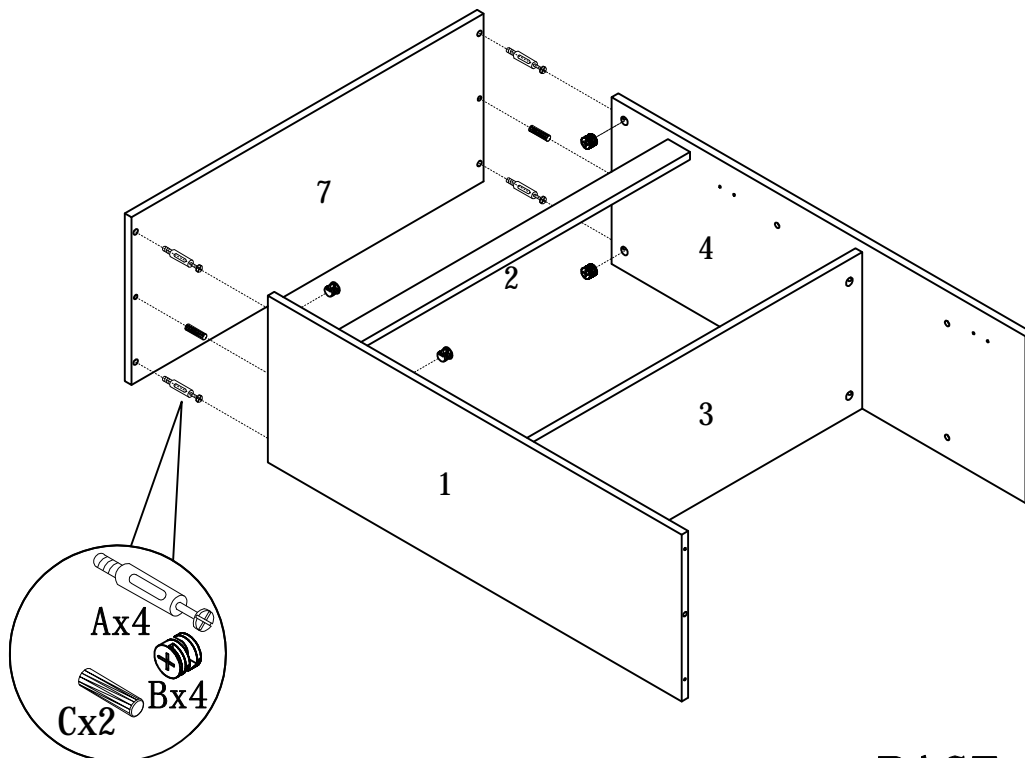
ITEM#: 223108



STEP 1

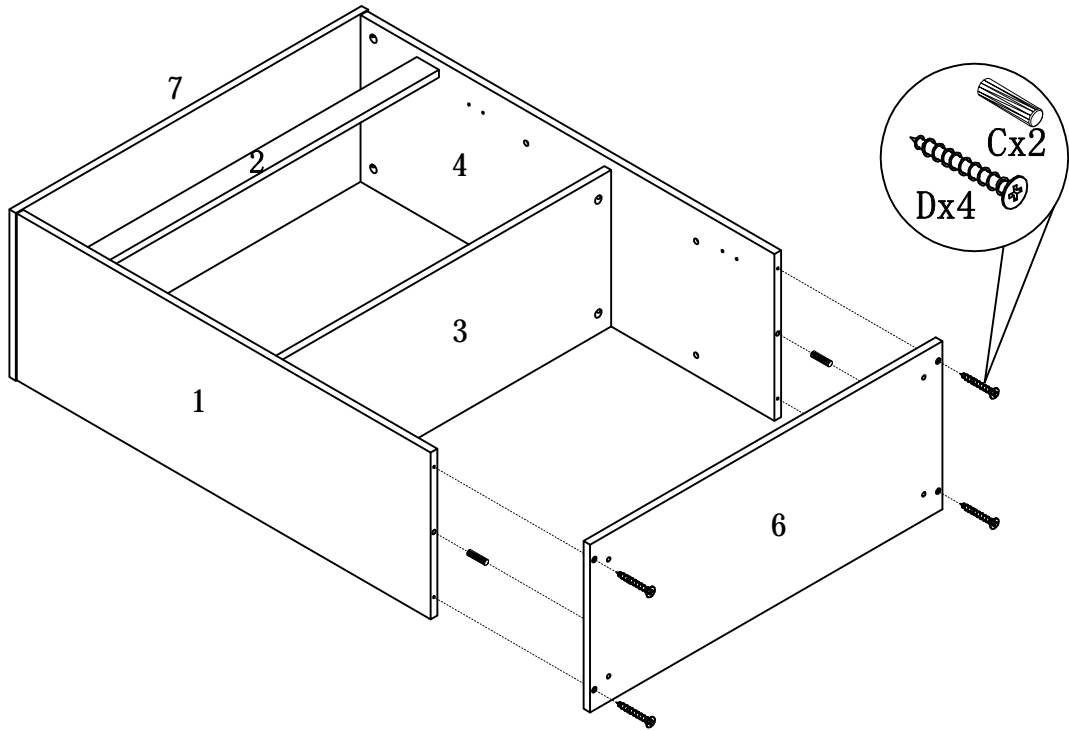


STEP 2



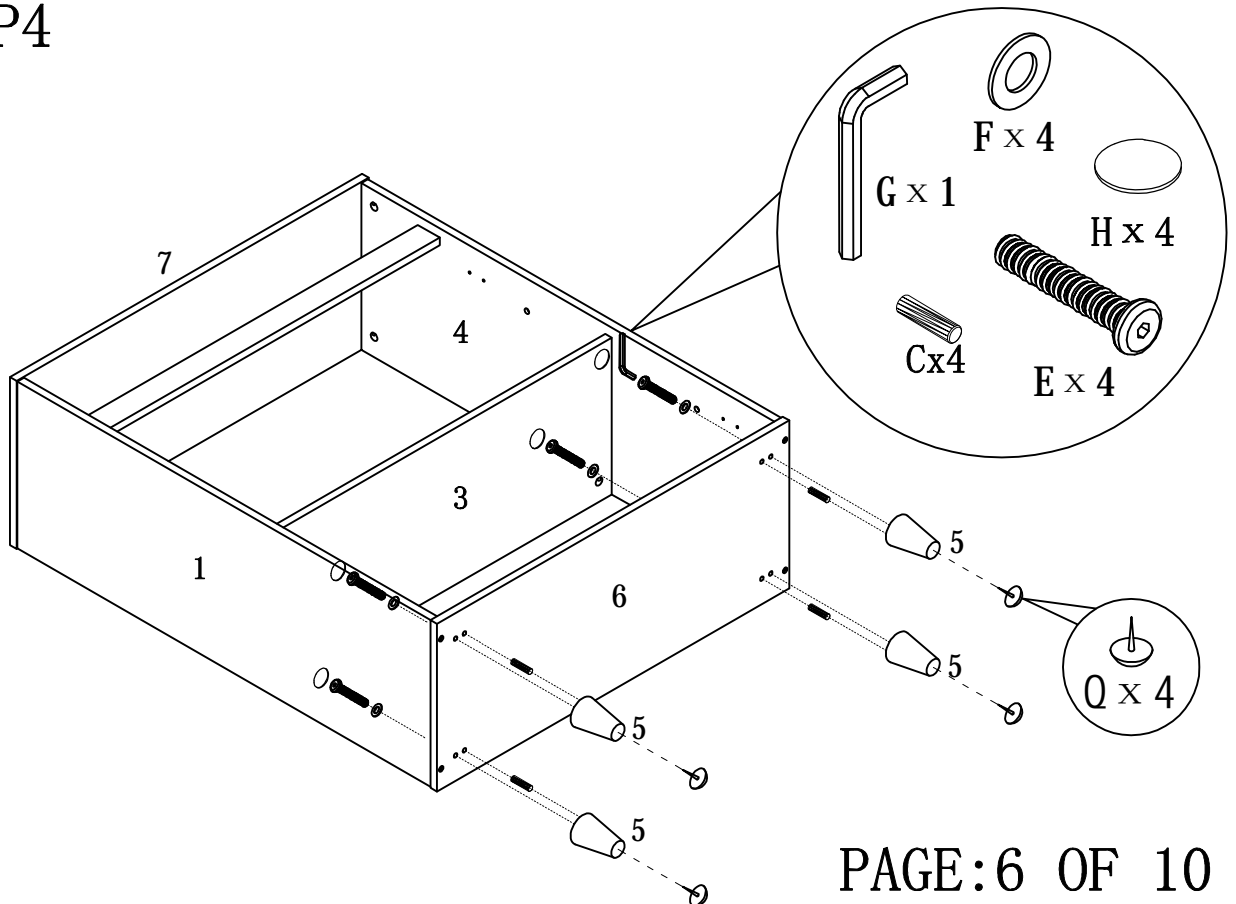
ASSEMBLY INSTRUCTION

ITEM#: 223108



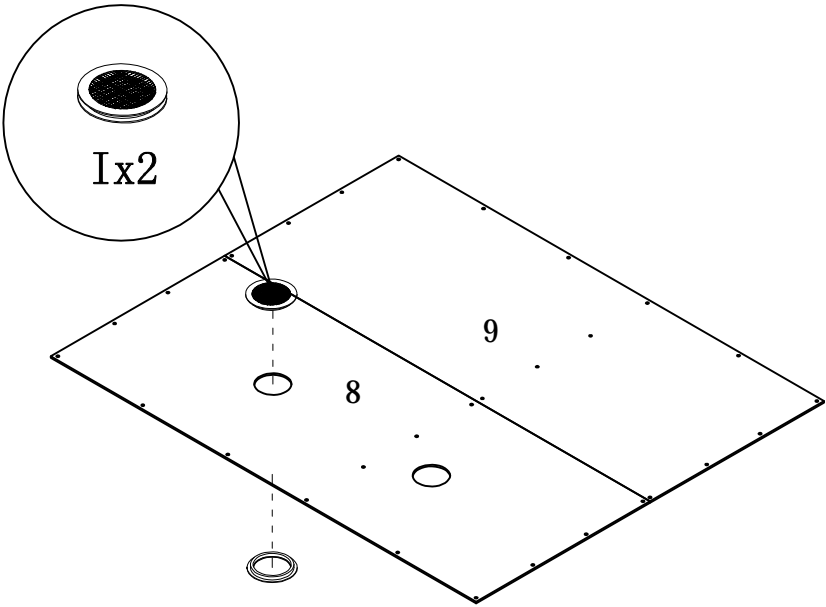
STEP 3

STEP 4



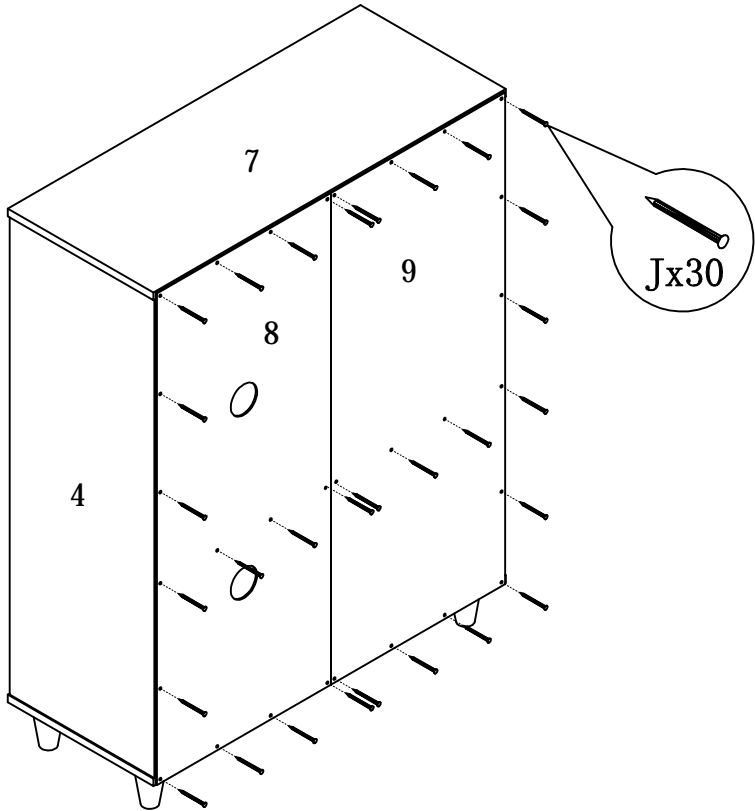
ASSEMBLY INSTRUCTION

ITEM#: 223108



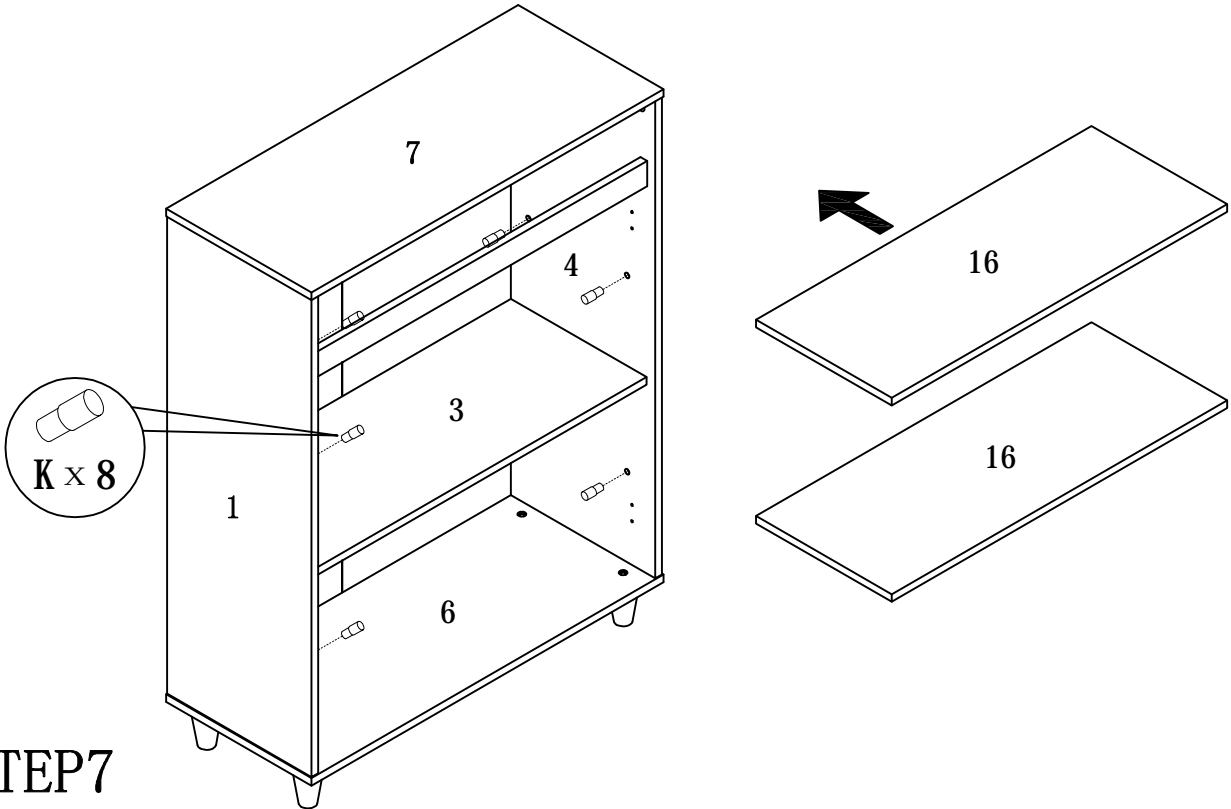
STEP 5

STEP 6



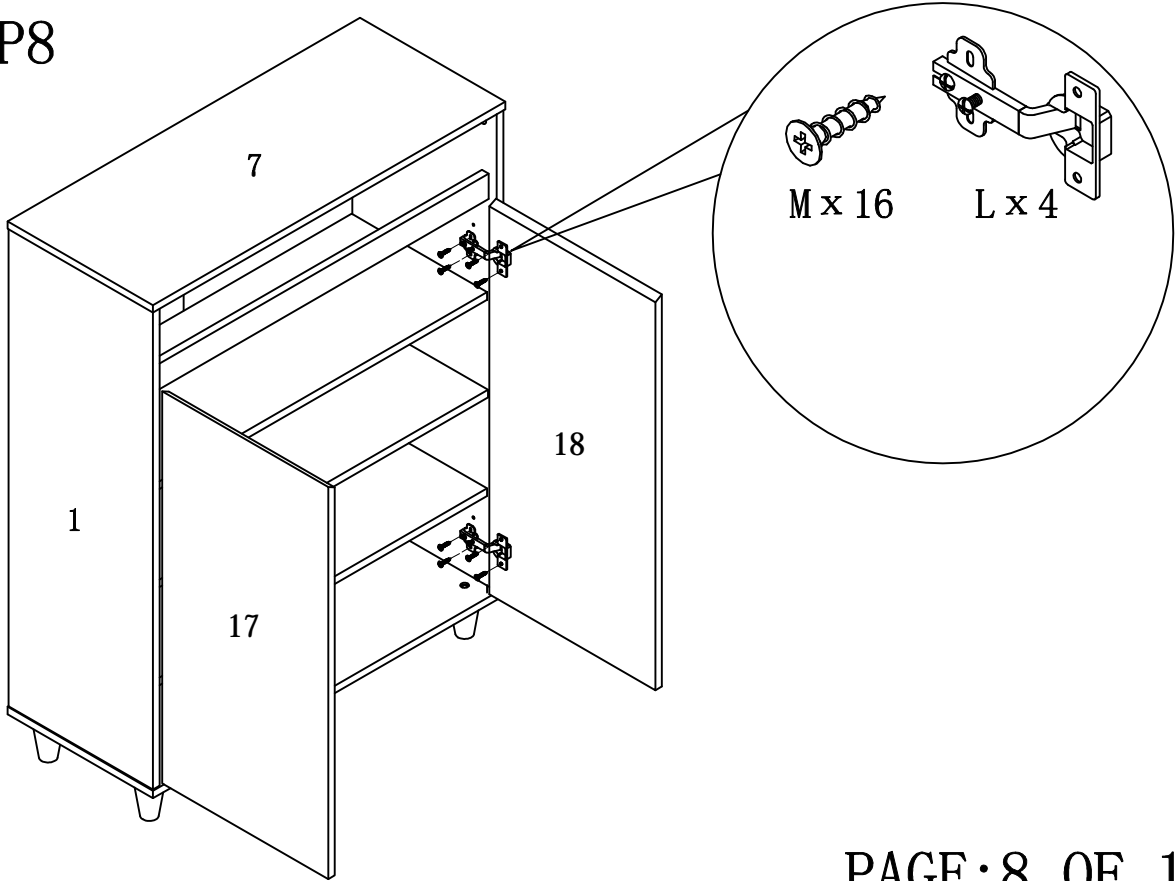
ASSEMBLY INSTRUCTION

ITEM#: 223108



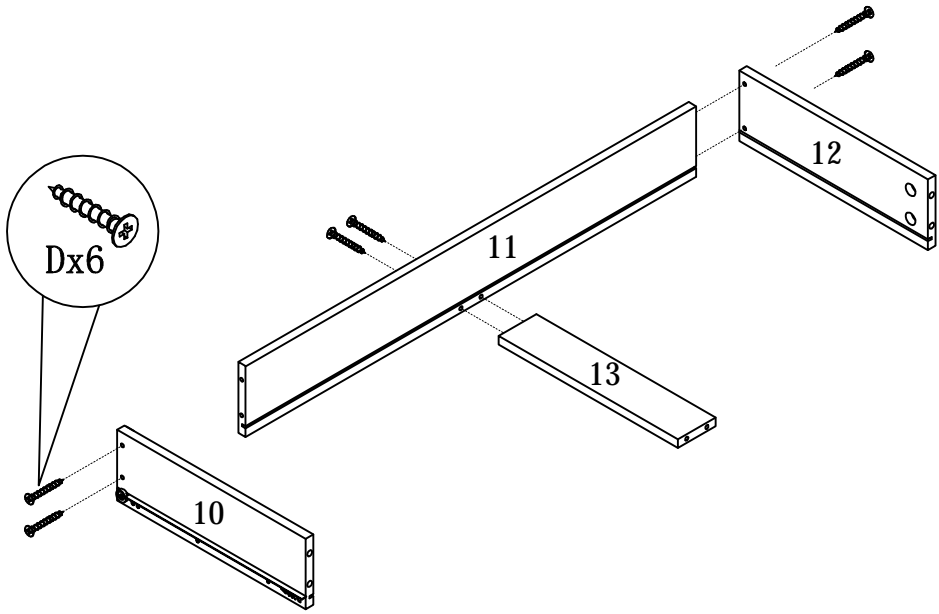
STEP7

STEP8



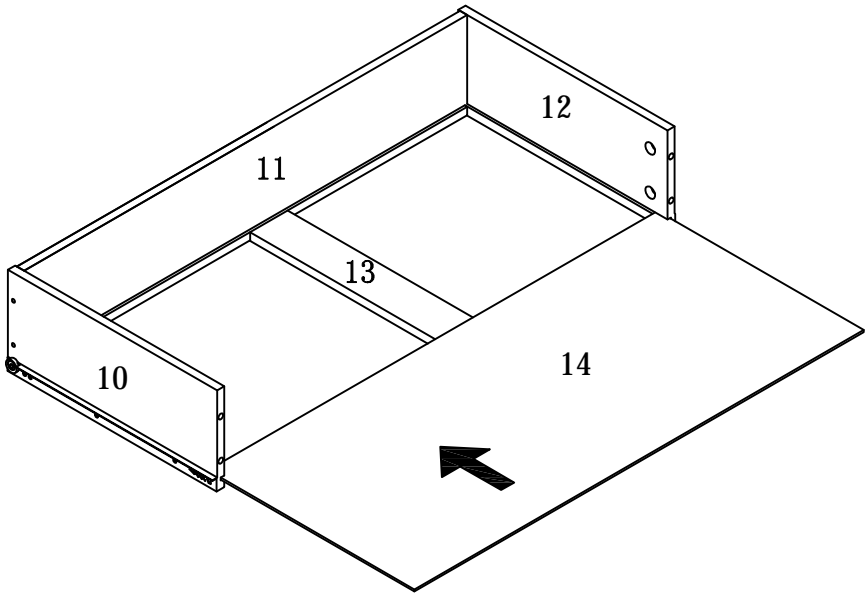
ASSEMBLY INSTRUCTION

ITEM#: 223108



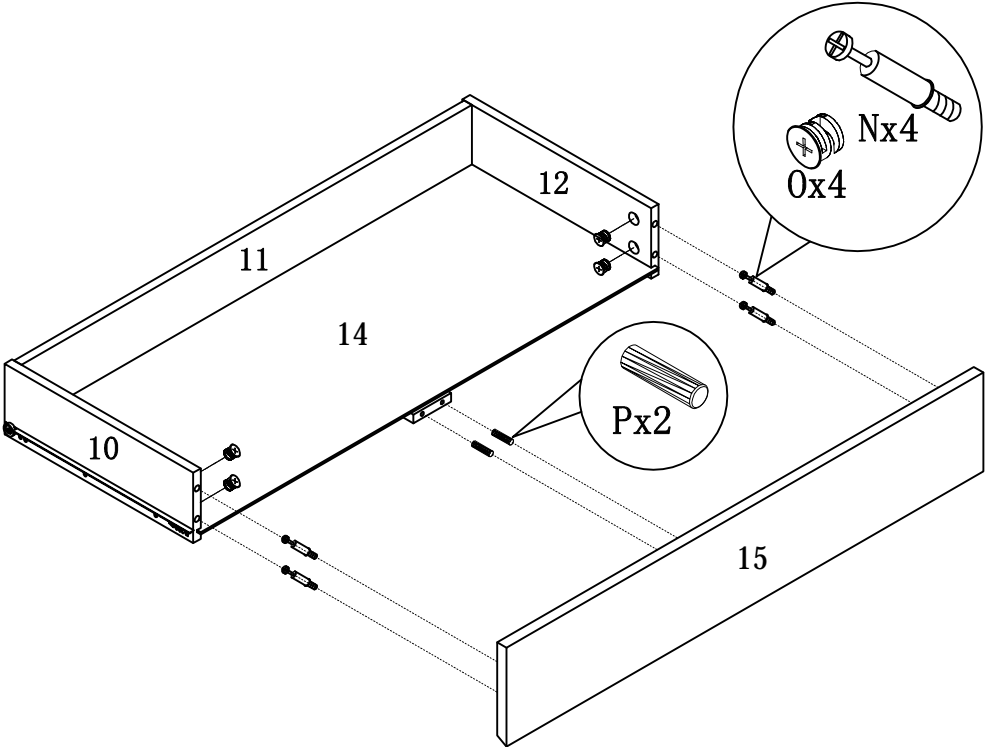
STEP9

STEP10



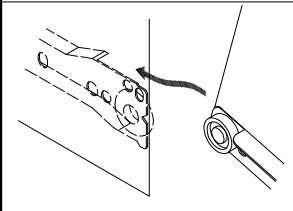
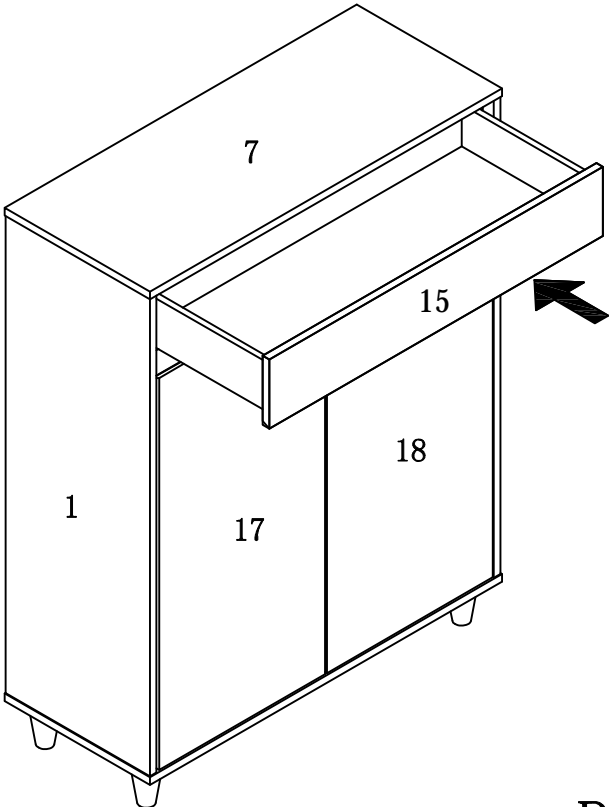
ASSEMBLY INSTRUCTION

ITEM#: 223108



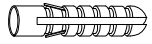
STEP 11

STEP 12

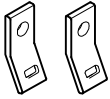


ANTI-TIPPING STRAP INSTRUCTION

HARDWARE (INCLUDED) :



DRYWALL ANCHOR $\phi 8 \times 40$ X 1PC



METAL BRACKETS $12 \times 12 \times 1$ X 2PCS



DRYWALL SCREW $\phi 5 \times 40$ X 1PC

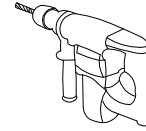


STRAP $197 \times 5 \times 1$ X 1PC

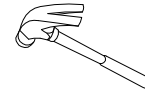


FLATHEAD SCREW $\phi 4 \times 25$ X 1PC

TOOLS NEEDED (NOT INCLUDED) :



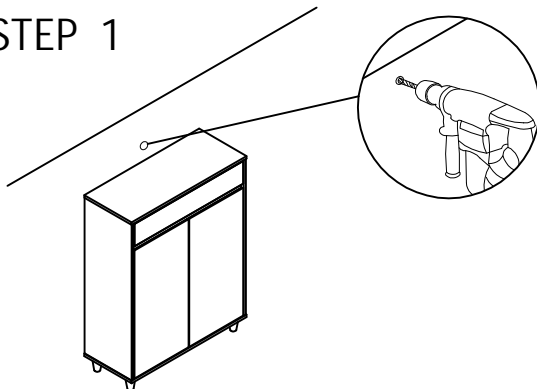
DRILL & DRILL BIT



LIGHT HAMMER

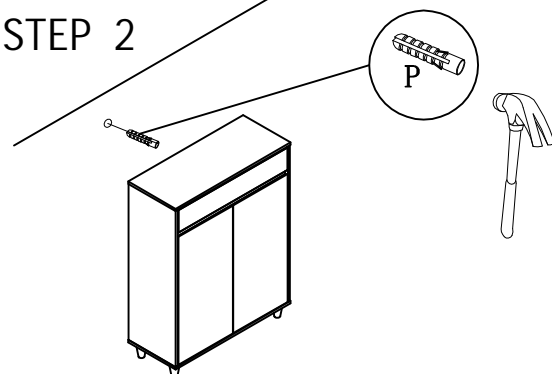
Note: Hardware included only compatible with standard drywalls.

STEP 1



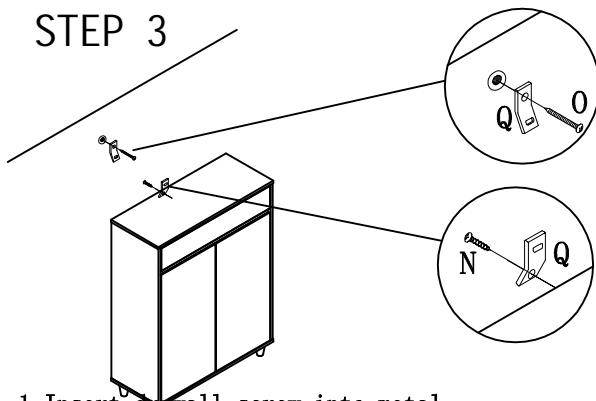
1. Find spot on wall 1" below top of item.
2. Using a drill bit slightly thinner than anchor, drill hole into drywall.

STEP 2



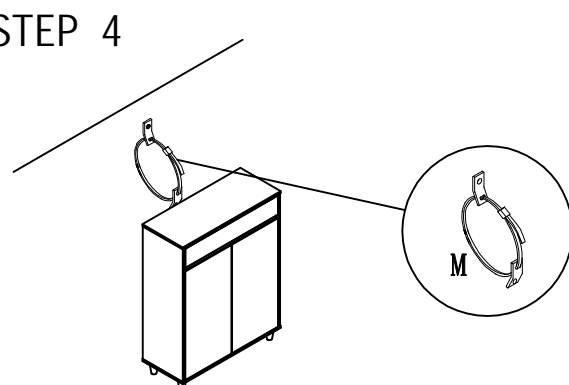
1. Use a light hammer to tap anchor into hole.
2. Anchor should fit snugly. If hole is too small, drill again to increase hole size. Do not force anchor into wall.

STEP 3



1. Insert drywall screw into metal bracket and into drywall anchor.
2. Insert flathead screw into second metal bracket and into back of item, along top edge.

STEP 4



1. Insert strap thru bracket attached to wall, then thru bracket on item, and into head of strap.
 2. pull lightly til strap stops.
- Assembly is complete.