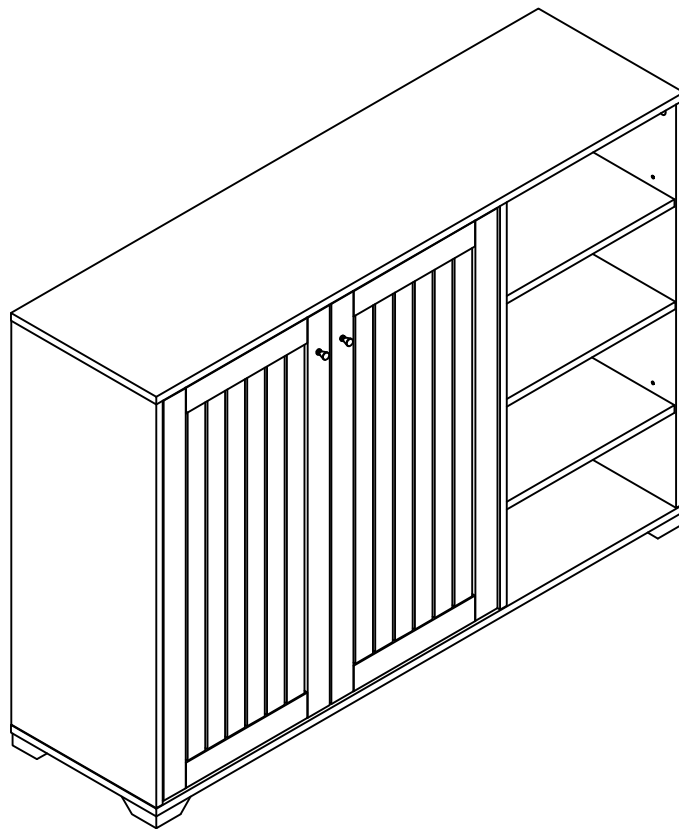


ASSEMBLY INSTRUCTION

ITEM#:223111



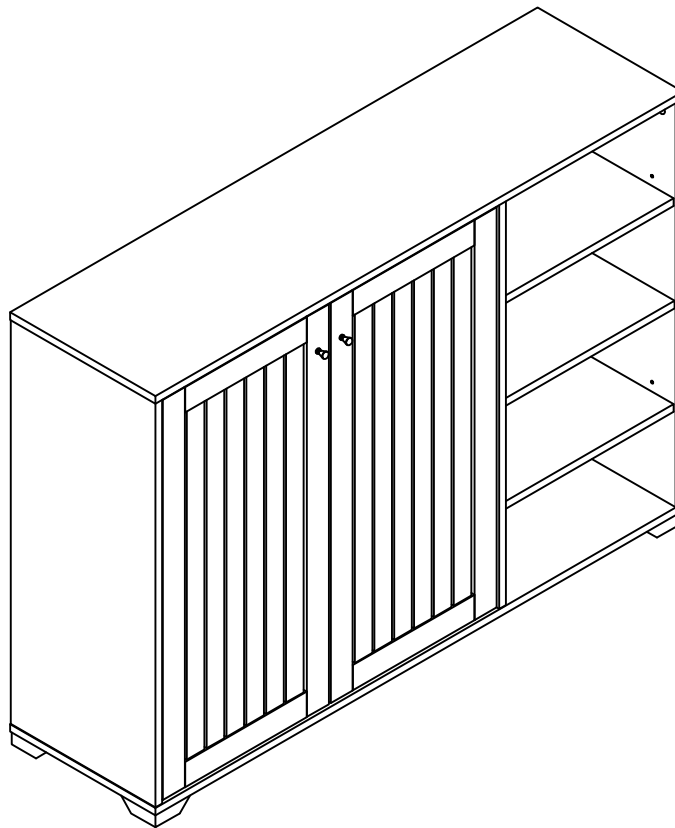
ASSEMBLY INSTRUCTION

PLEASE READ BEFORE ASSEMBLING!

Tip #1: Make sure you've taken all the pieces and hardware out of its packaging before discarding the box.

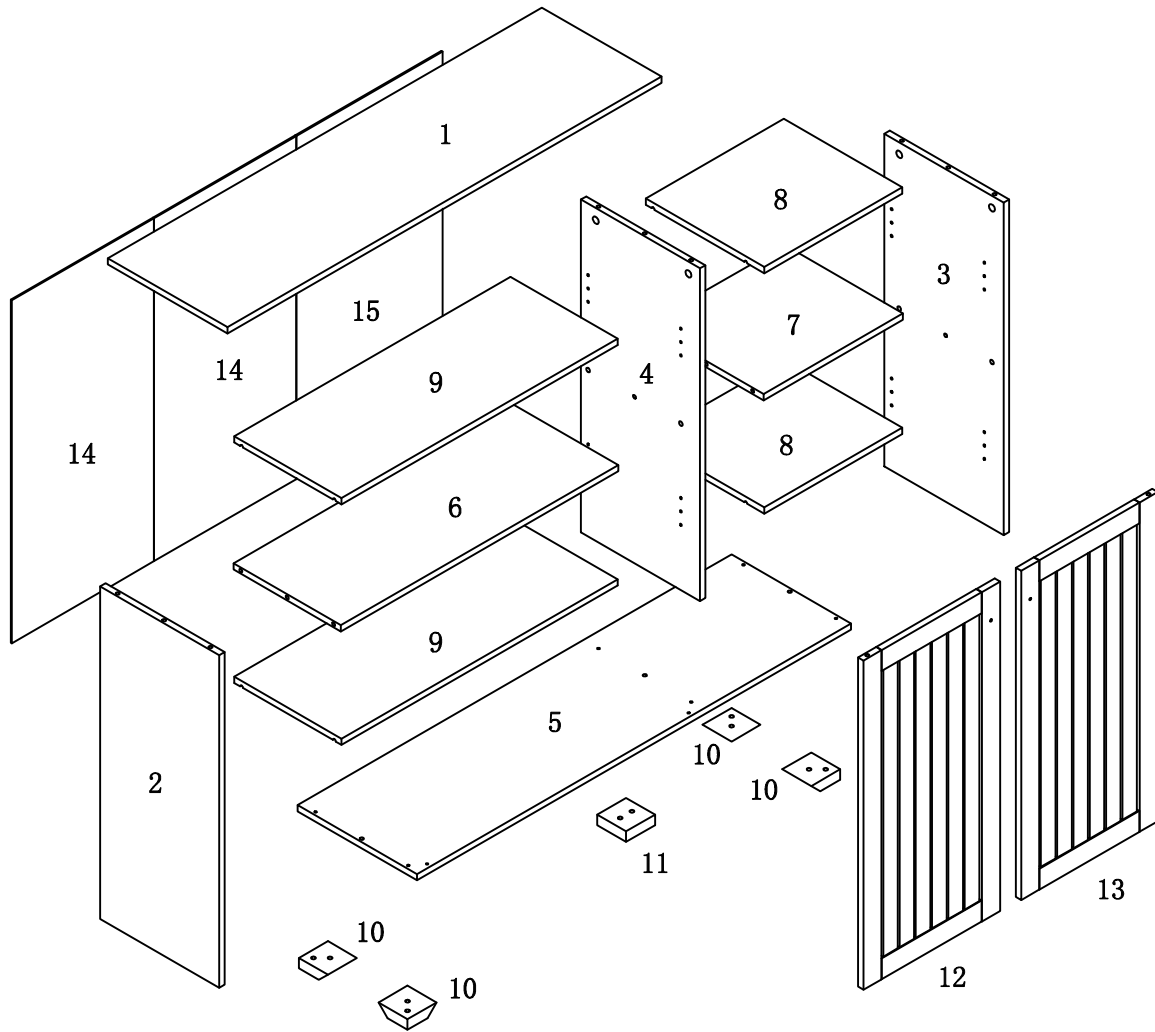
Tip #2: Using page 2 and/or page 3 of instruction manual make sure all pieces and hardware are accounted for.

ITEM#:223111



PARTS IDENTIFICATION





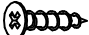





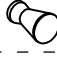


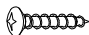
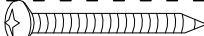


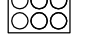

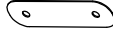
ITEM#:223111



(1)	1pc	(8)	2pcs	(15)	1pc
(2)	3pcs	(9)	2pcs		
(3)	1pc	(10)	4pcs		
(4)	1pc	(11)	1pc		
(5)	1pc	(12)	1pc		
(6)	1pc	(13)	1pc		
(7)	1pc	(14)	2pcs		

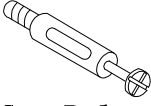
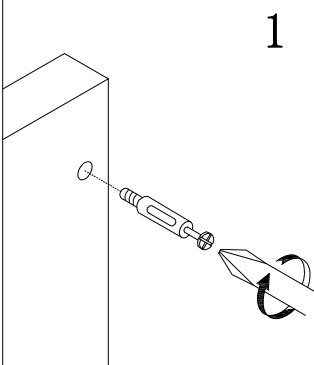
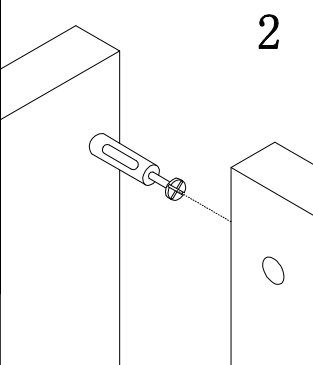
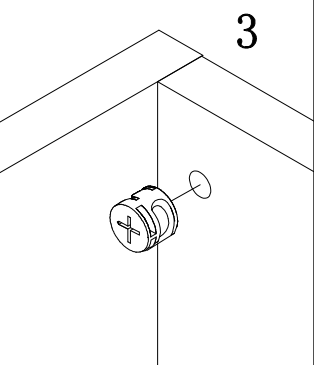
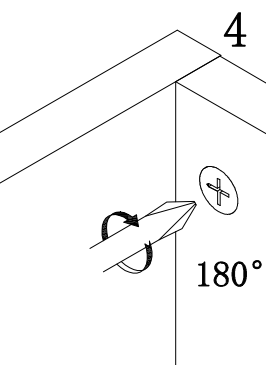

HARDWARE IDENTIFICATION

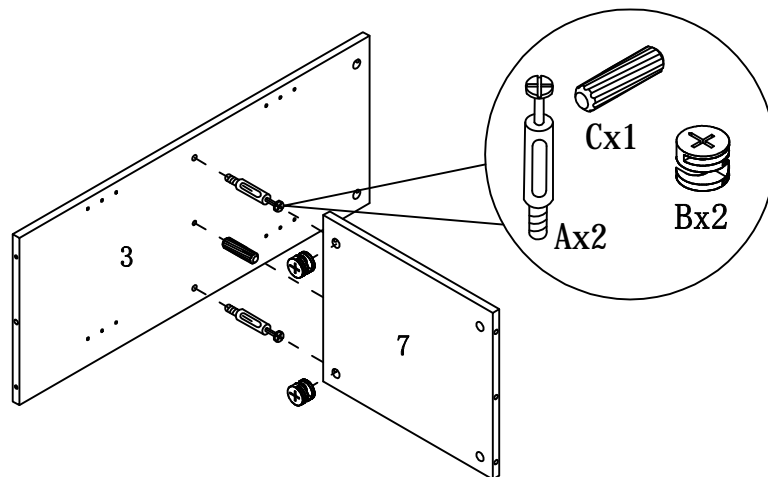
ITEM#:223111

A		L29	14PCS
B		$\Phi 15$	14PCS
C		$\Phi 8 \times 25$	10PCS
D			2SET
E		$\Phi 4 \times 40$	6PCS
F		$\Phi 4 \times 35$	10PCS
G			2PCS
H			40PCS
I		$\Phi 3 \times 16$	8PCS
J		$\Phi 16$	5PCS
K			2PCS
L		$\Phi 4 \times 20$	2PCS
M		$197 \times 5 \times 1$	1PC
N		$\varnothing 4 \times 25$	1PC
O		$\varnothing 5 \times 40$	1PC
P		$\varnothing 8 \times 40$	1PC
Q		$12 \times 12 \times 1$	2PCS
R		$\Phi 22$	6PCS
S		$\varnothing 5 \times 15$	16PCS
T			2PCS

HARDWARE IDENTIFICATION

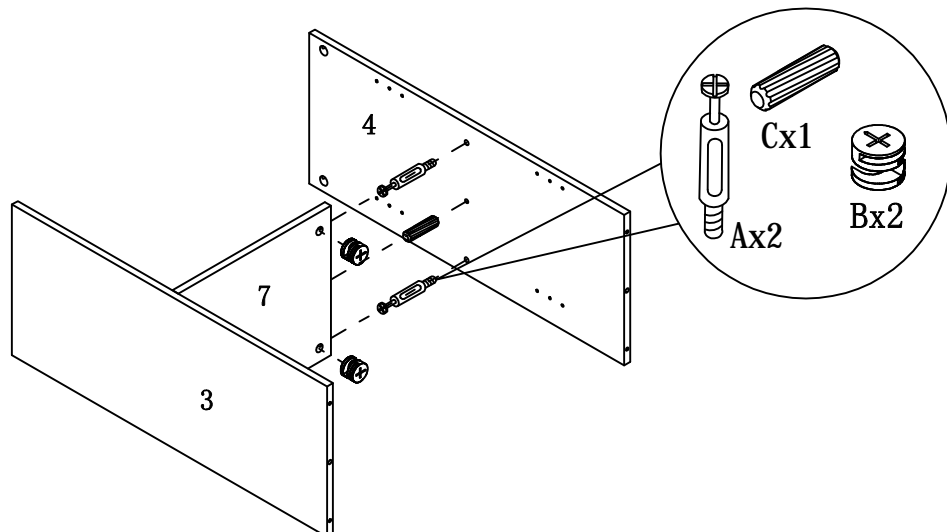
ITEM#:223111

HOW TO	1	2	3	4
 Cam Bolt				
 Cam Lock	1. Screw Cam Bolt into panel.	2. Insert Cam Bolt into bolt hole of joining panel.	3. Insert Cam Lock. arrow facing bolt.	4. Gently turn Cam Lock clockwise to lock position.



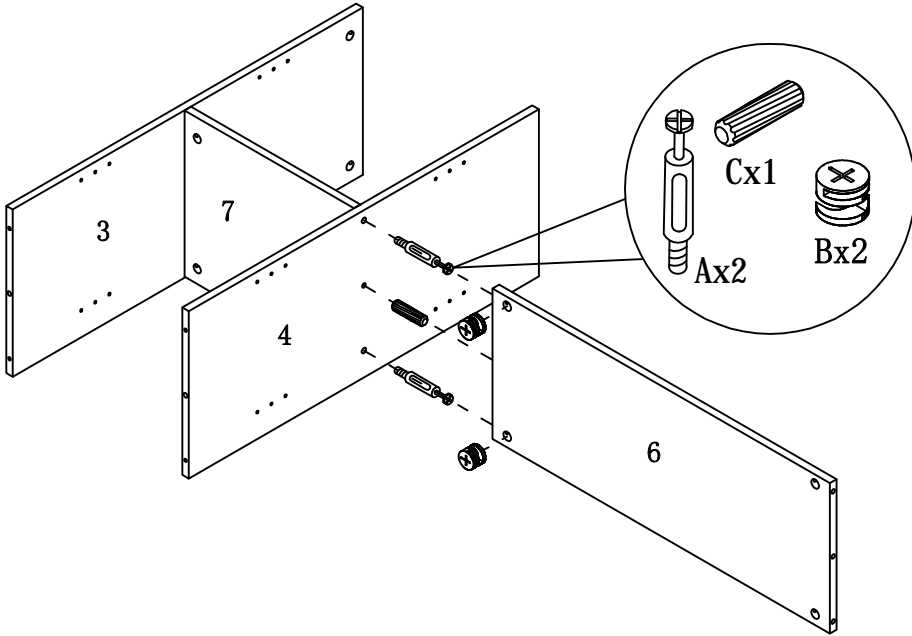
STEP1

STEP2



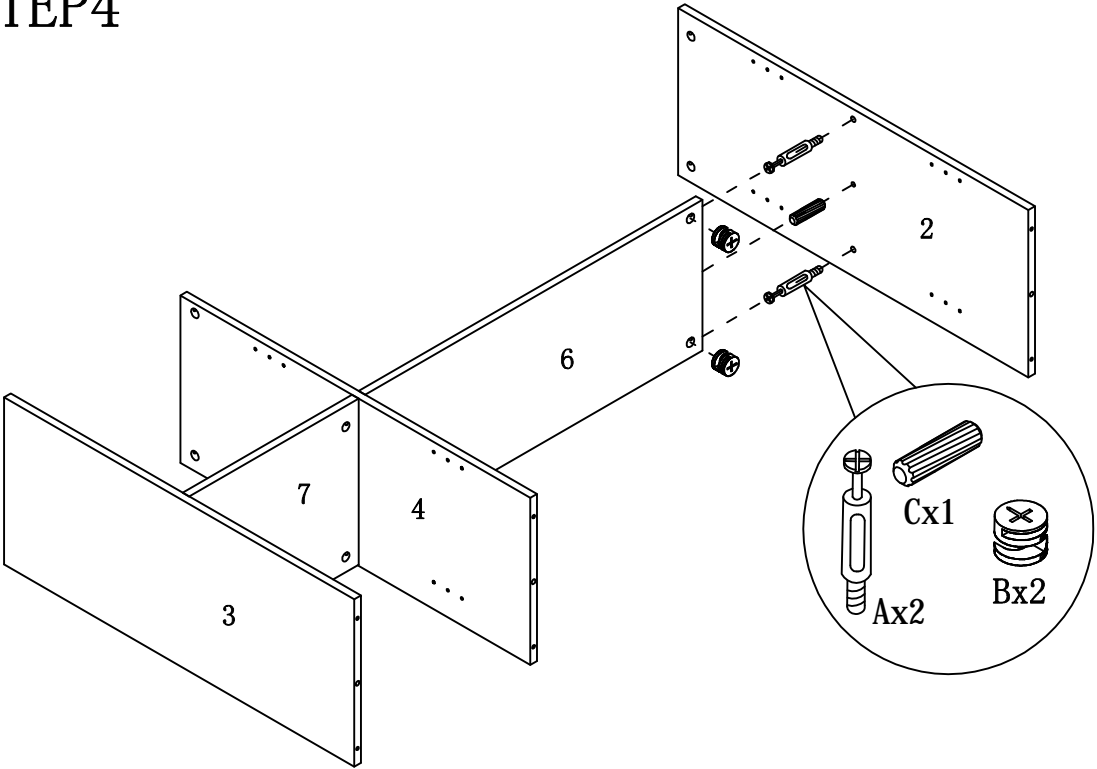
HARDWARE IDENTIFICATION

ITEM#:223111



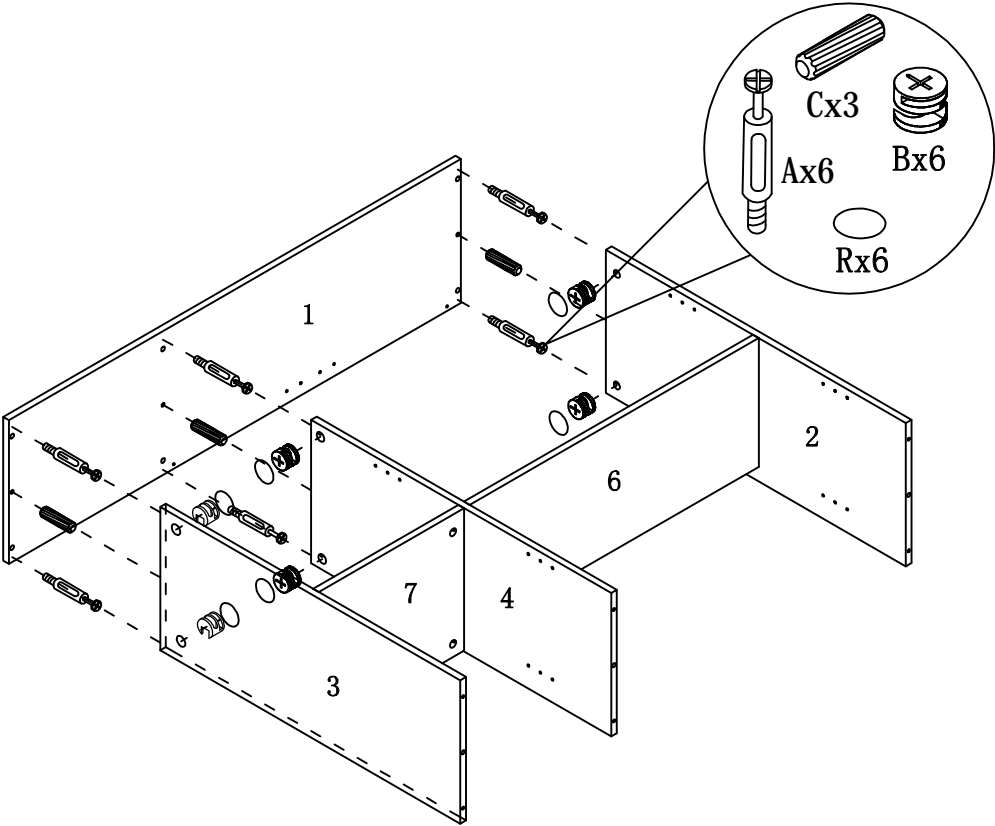
STEP3

STEP4



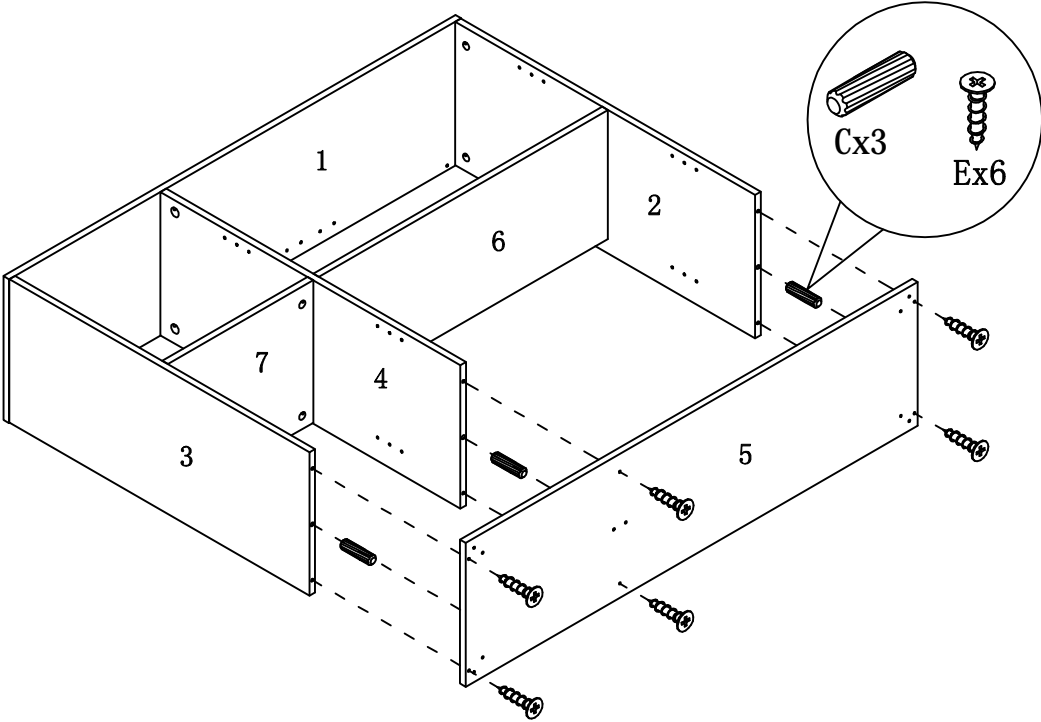
HARDWARE IDENTIFICATION

ITEM#:223111



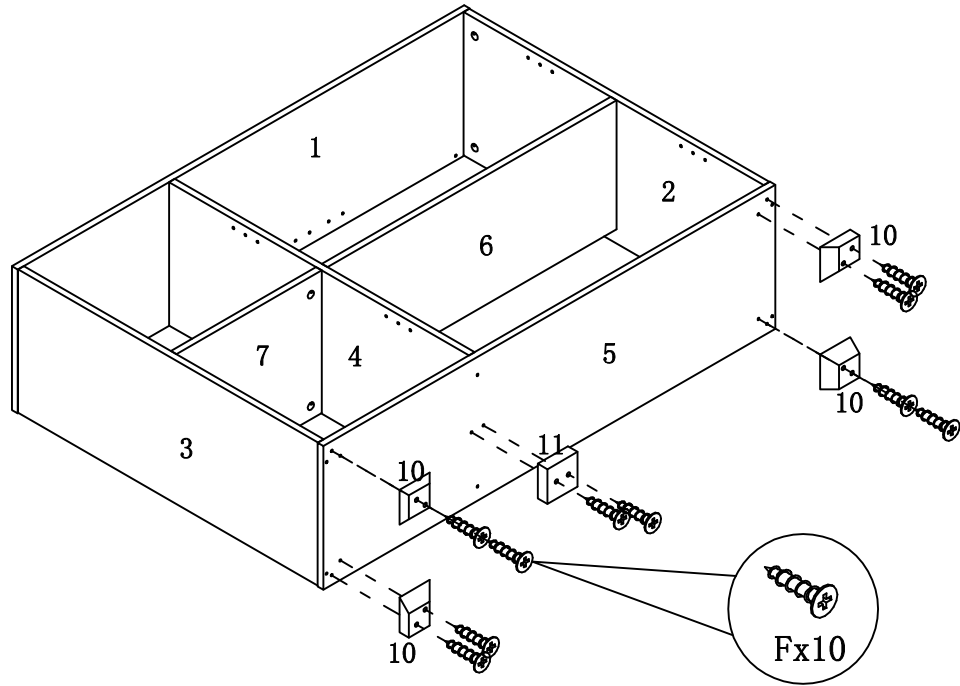
STEP5

STEP6



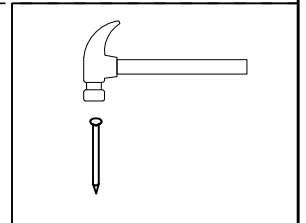
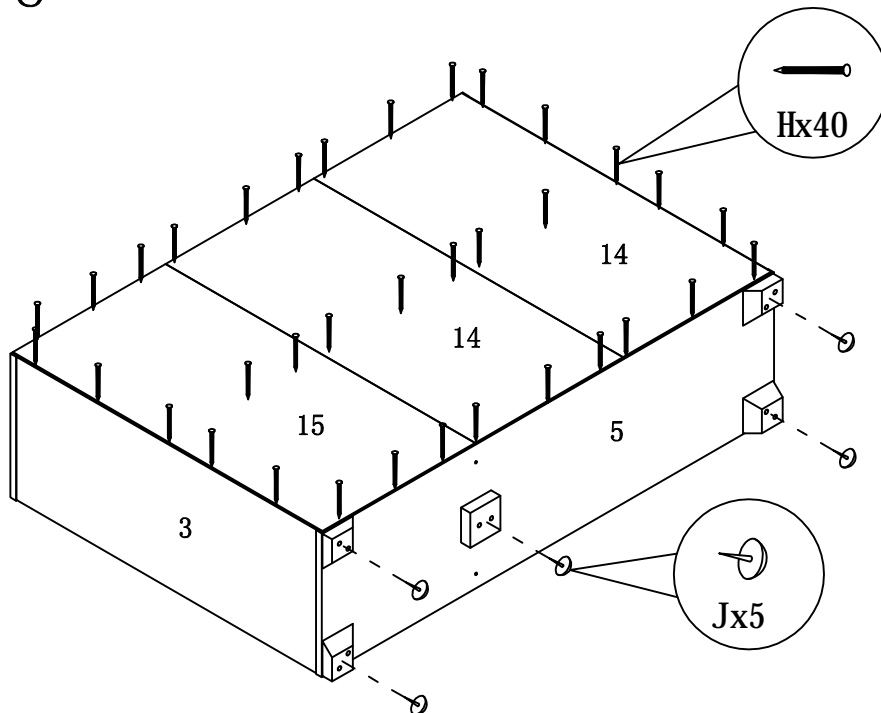
HARDWARE IDENTIFICATION

ITEM#:223111



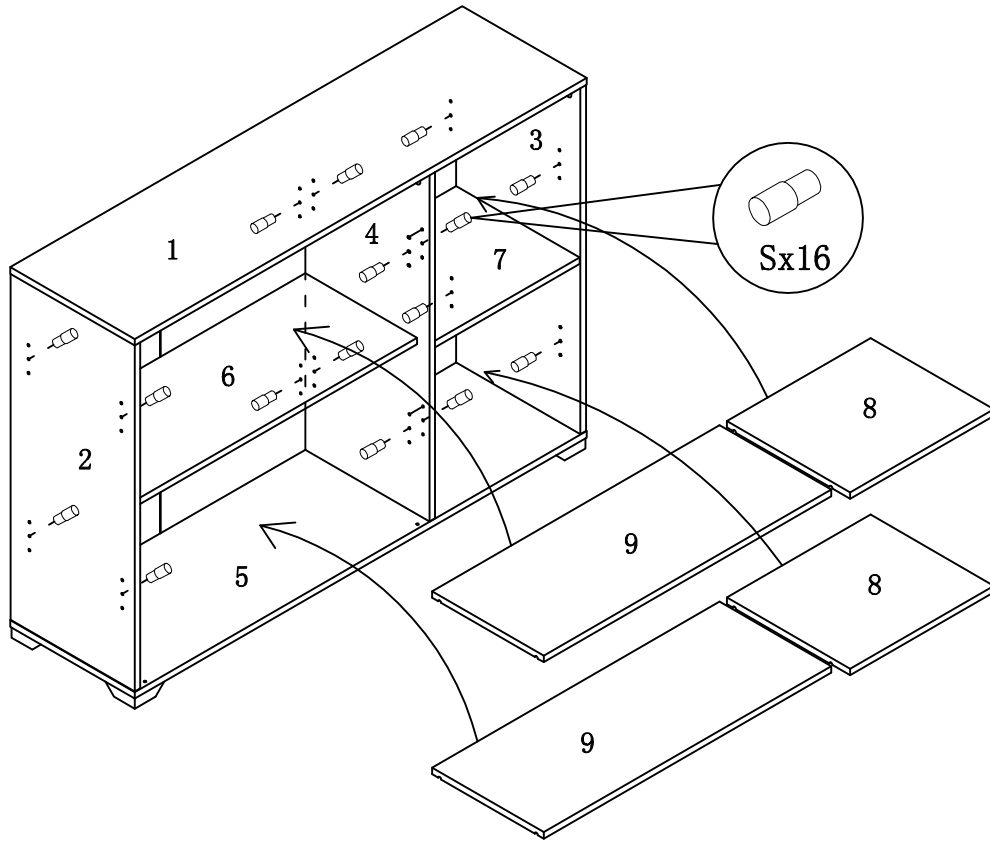
STEP7

STEP8



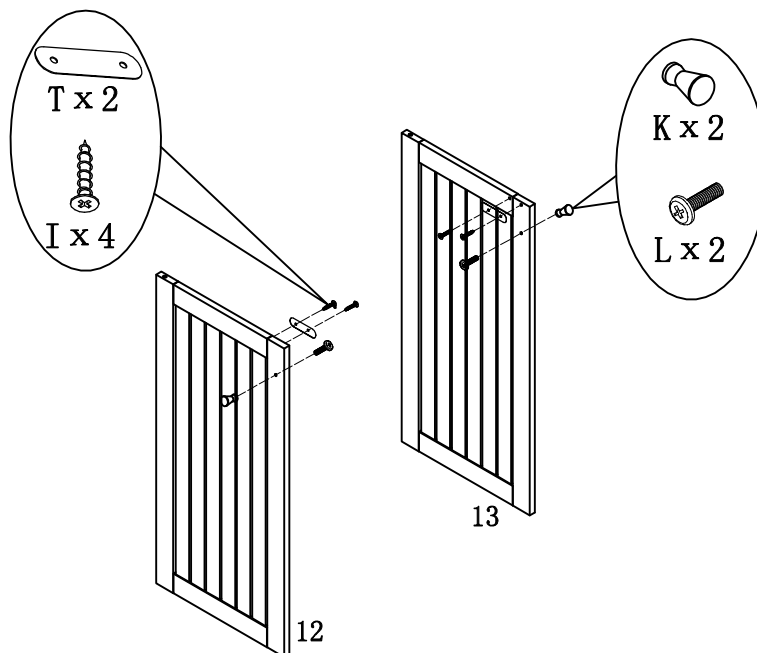
HARDWARE IDENTIFICATION

ITEM#:223111



STEP9

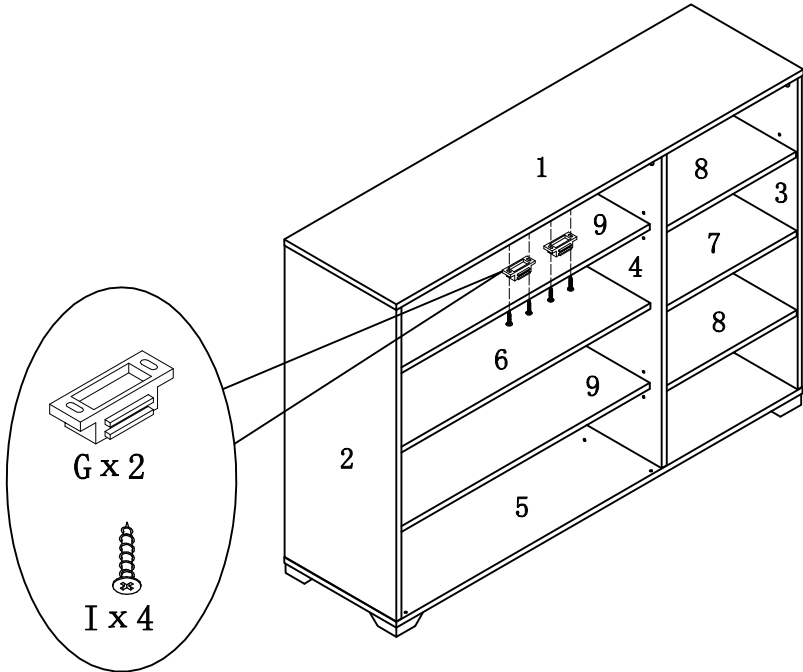
STEP10



PAGE:8 OF 9

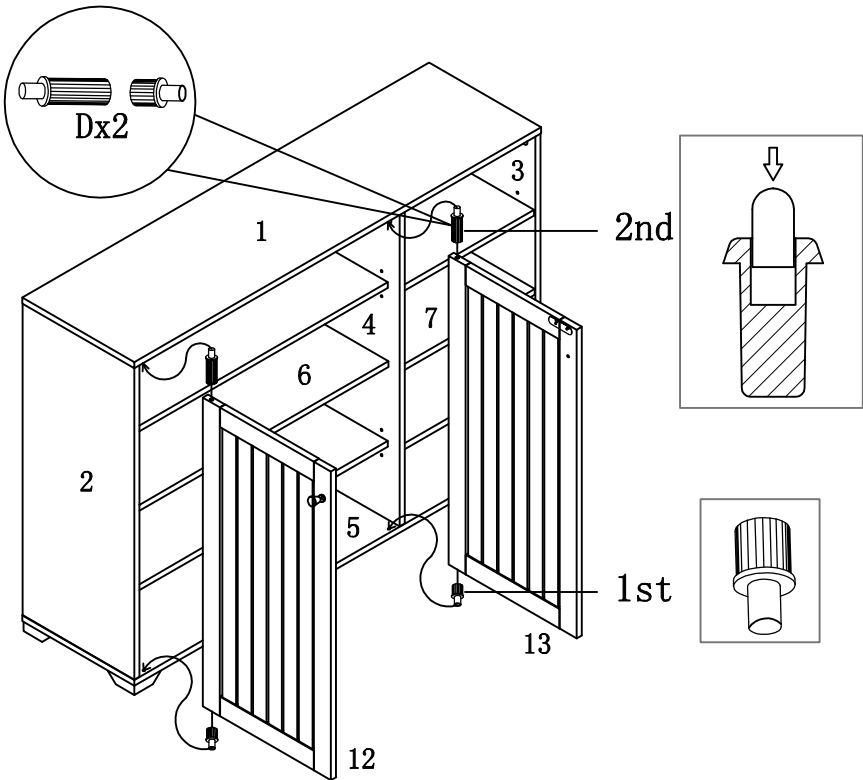
HARDWARE IDENTIFICATION

ITEM#:223111



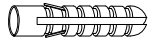
STEP9

STEP10

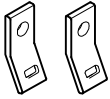


ANTI-TIPPING STRAP INSTRUCTION

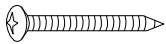
HARDWARE (INCLUDED) :



DRYWALL ANCHOR $\phi 8 \times 40$ X 1PC



METAL BRACKETS $12 \times 12 \times 1$ X 2PCS



DRYWALL SCREW $\phi 5 \times 40$ X 1PC

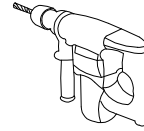


STRAP $197 \times 5 \times 1$ X 1PC

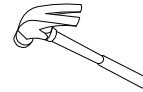


FLATHEAD SCREW $\phi 4 \times 25$ X 1PC

TOOLS NEEDED (NOT INCLUDED) :



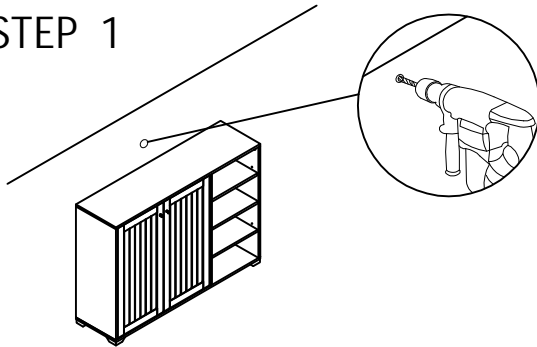
DRILL & DRILL BIT



LIGHT HAMMER

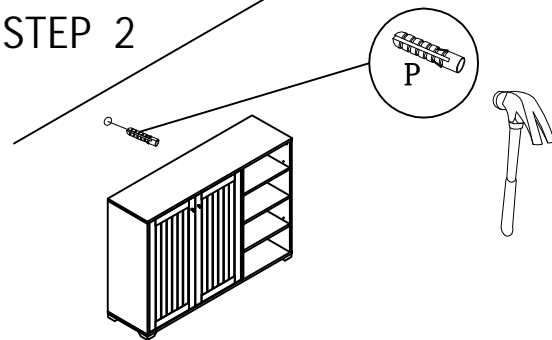
Note: Hardware included only compatible with standard drywalls.

STEP 1



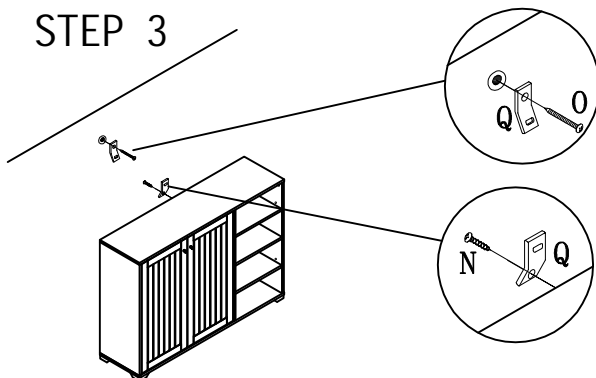
1. Find spot on wall 1" below top of item.
2. Using a drill bit slightly thinner than anchor, drill hole into drywall.

STEP 2



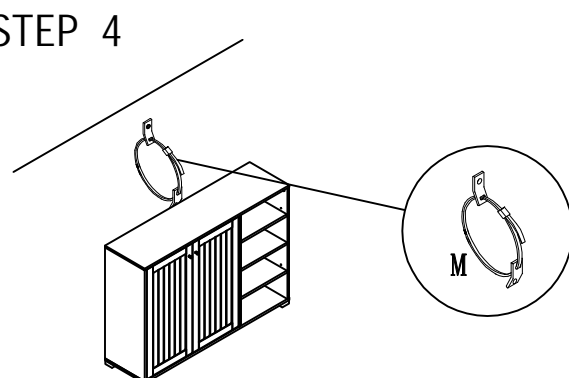
1. Use a light hammer to tap anchor into hole.
2. Anchor should fit snugly. If hole is too small, drill again to increase hole size. Do not force anchor into wall.

STEP 3



1. Insert drywall screw into metal bracket and into drywall anchor.
2. Insert flathead screw into second metal bracket and into back of item along top edge.

STEP 4



1. Insert strap thru bracket attached to wall, then thru bracket on item, and into head of strap.
 2. pull lightly til strap stops.
- Assembly is complete.