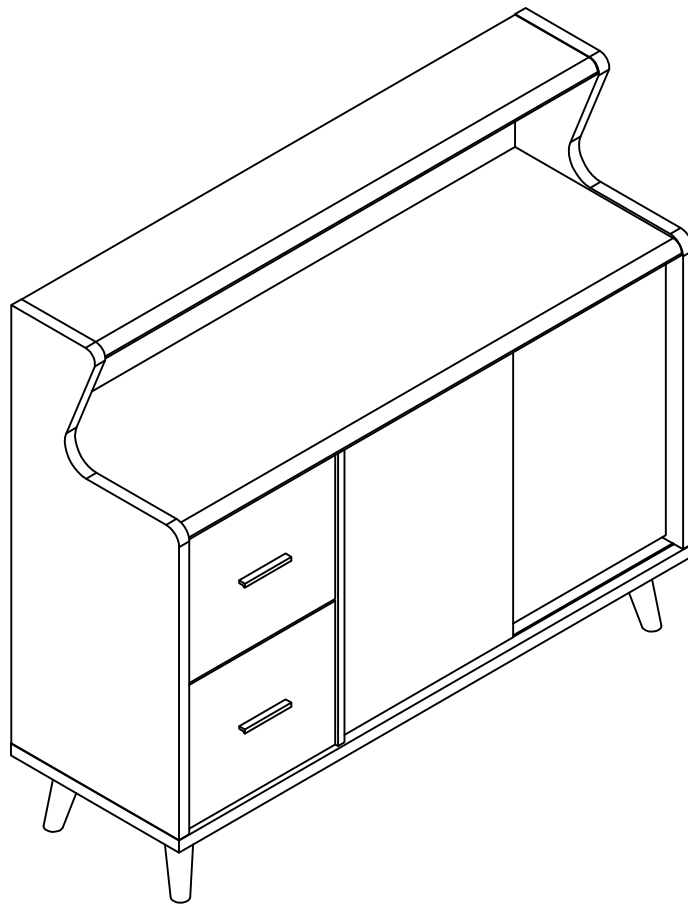


ASSEMBLY INSTRUCTION

ITEM#: 212877



ASSEMBLY INSTRUCTION

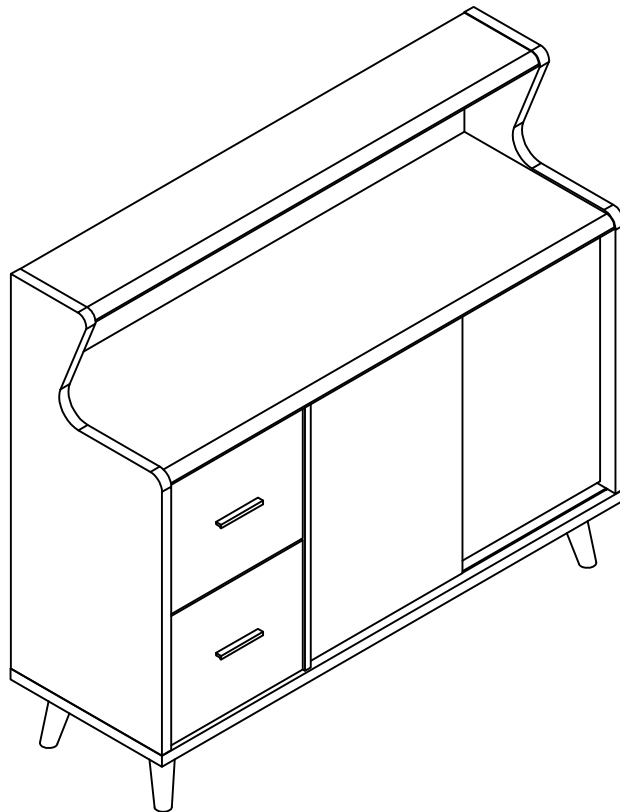
PLEASE READ BEFORE ASSEMBLING!

Tip #1: Make sure you've taken all the pieces and hardware out of its packaging before discarding the box. Assembly on top of flattened box/blanket is recommended.

Tip #2: Using page 2 and/or page 3 of instruction manual make sure all pieces and hardware are accounted for.

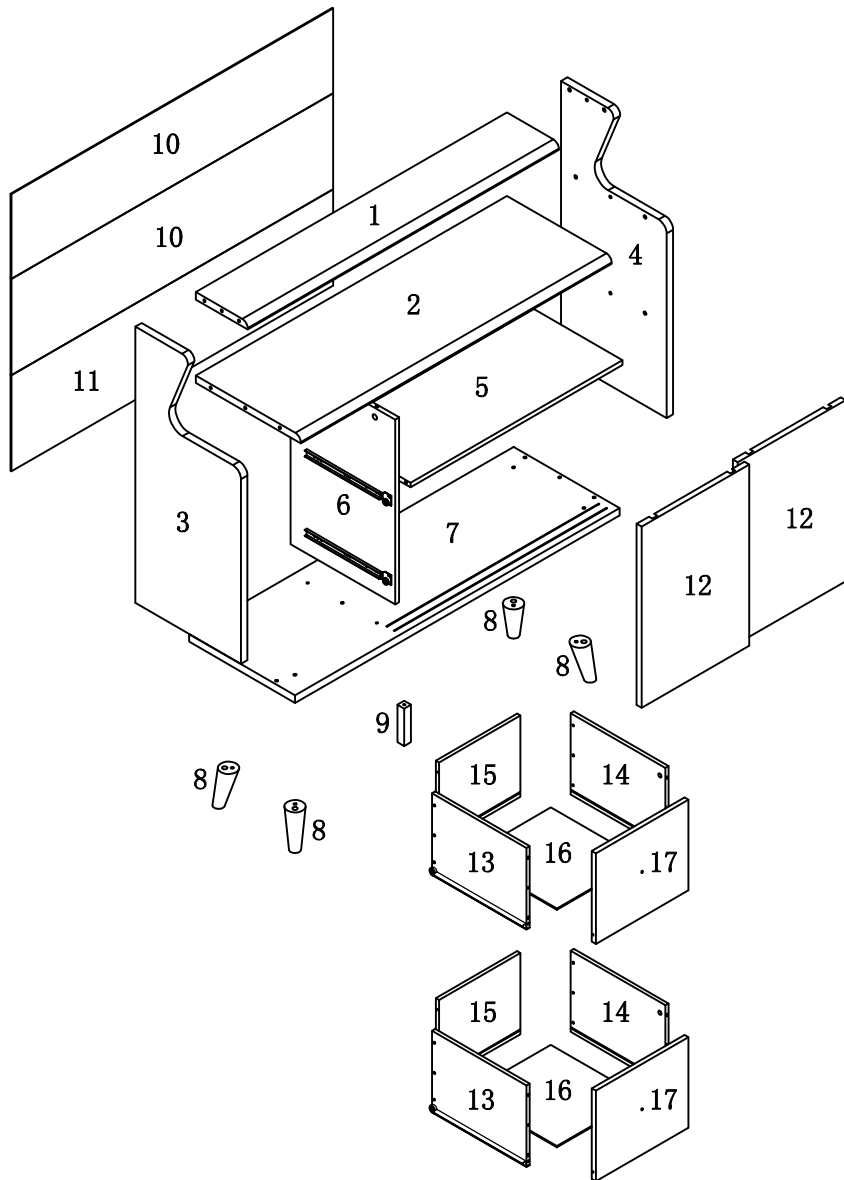
Tip #3: Note position of all holes on each panel during assembly.

ITEM#: 212877



PARTS IDENTIFICATION



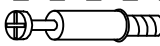


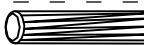
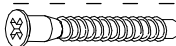




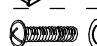
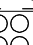

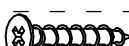
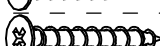
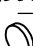


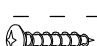



ITEM#: 212877



(1)	1pc	(7)	1pc	(13)	2pcs
(2)	1pc	(8)	4pcs	(14)	2pcs
(3)	1pc	(9)	1pc	(15)	2pcs
(4)	1pc	(10)	2pcs	(16)	2pcs
(5)	1pc	(11)	1pc	(17)	2pcs
(6)	1pc	(12)	2pcs		

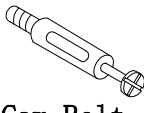

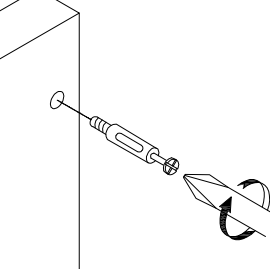
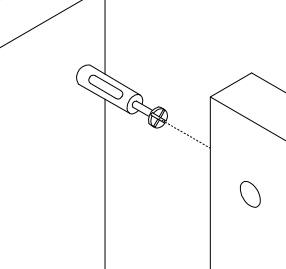
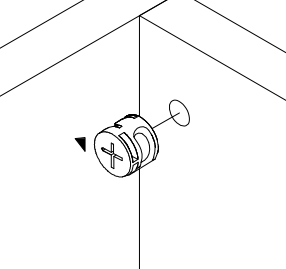
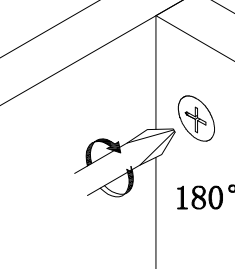
HARDWARE IDENTIFICATION

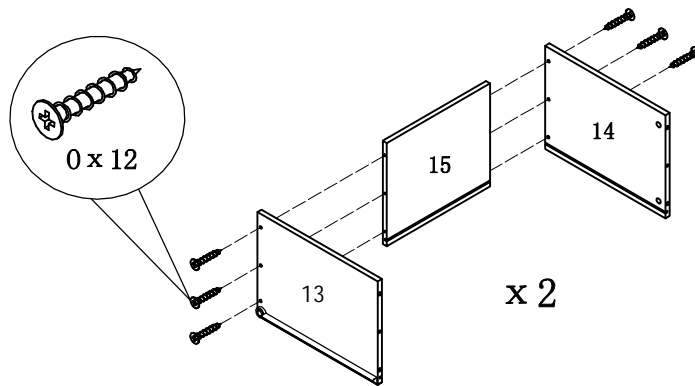
ITEM#: 212877

A		L29	14pcs
B		ø15	14pcs
C		L20	8pcs
D		ø12	8pcs
E		ø8x25	14pcs
F		ø6x30	4pcs
G		ø7 x 48	4pcs
H		ø8xø16x2	8pcs
I		M8 x 35	4pcs
J		M5	1pc
K			2pcs
L		M4 x 22	4pcs
M		ø22 (BLK3)	12pcs
N			42pcs
O		ø4x30	12pcs
P		ø4x45	2pcs
Q			8pcs
R		ø16	4pcs
S		197×5×1	1pc
T		ø4x25	1pc
U		ø5x40	1pc
V		ø8 x 40	1pc
W		12×12×1	2pcs

ASSEMBLY INSTRUCTION

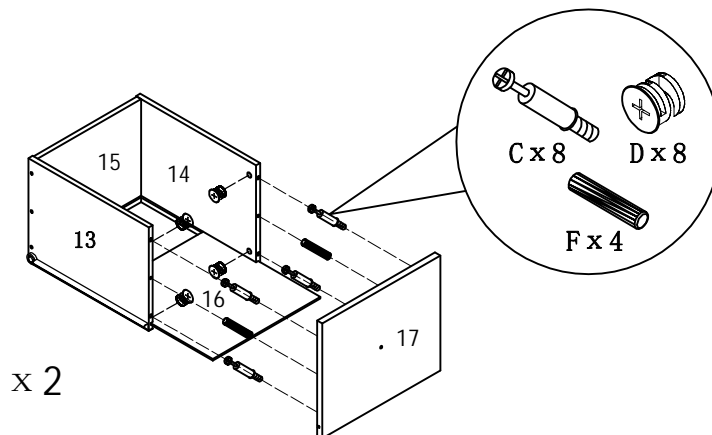
ITEM#: 212877

HOW TO	1	2	3	4
 Cam Bolt  Cam Lock				
	1. Screw Cam Bolt into panel.	2. Insert Cam Bolt into bolt hole of joining panel.	3. Insert Cam Lock. arrow facing bolt.	4. Gently turn Cam Lock clockwise to lock position.



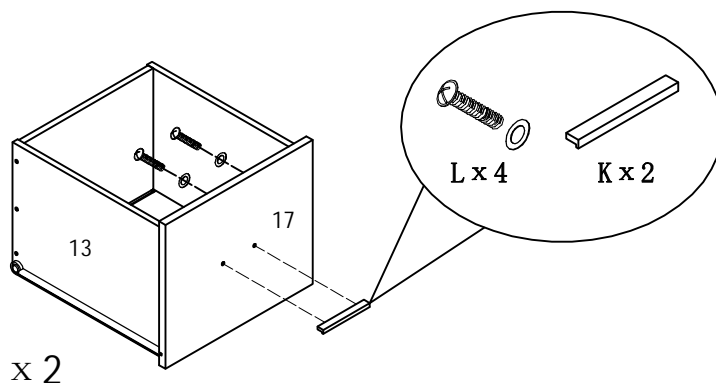
STEP 1

STEP 2



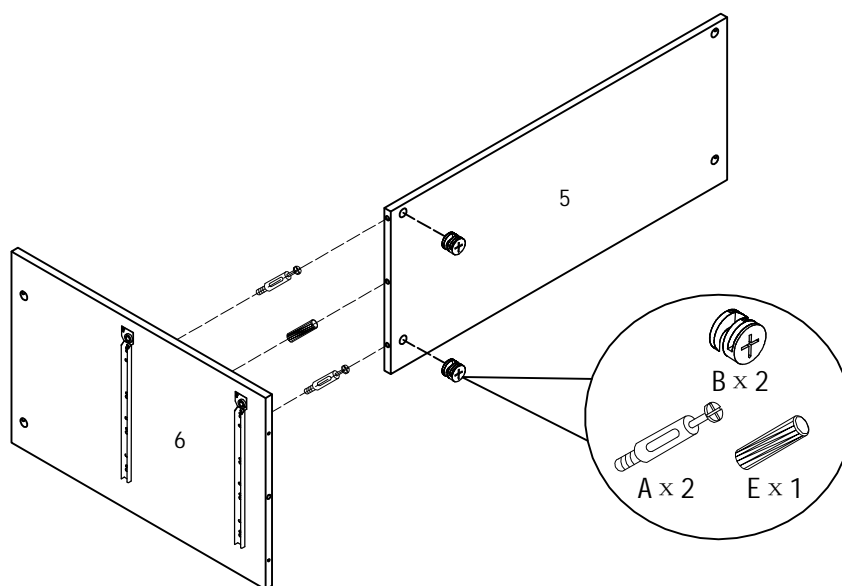
ASSEMBLY INSTRUCTION

ITEM#: 212877



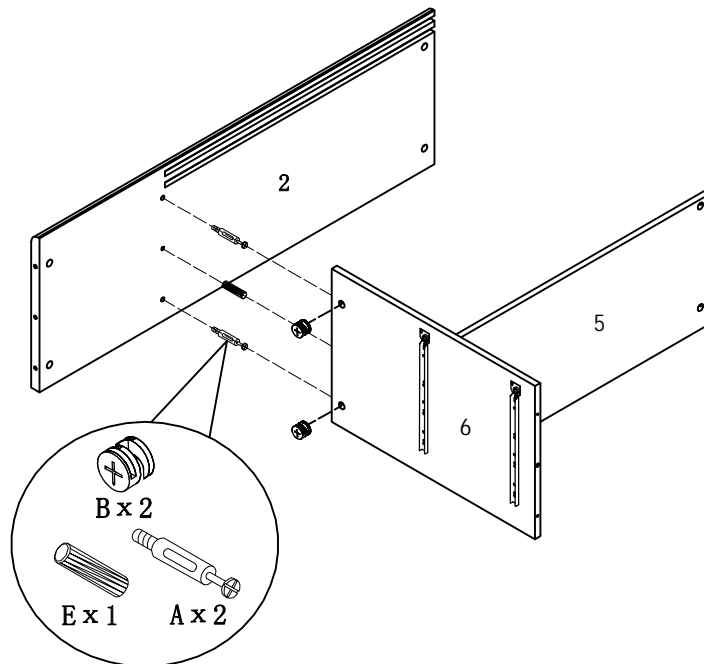
STEP3

STEP4



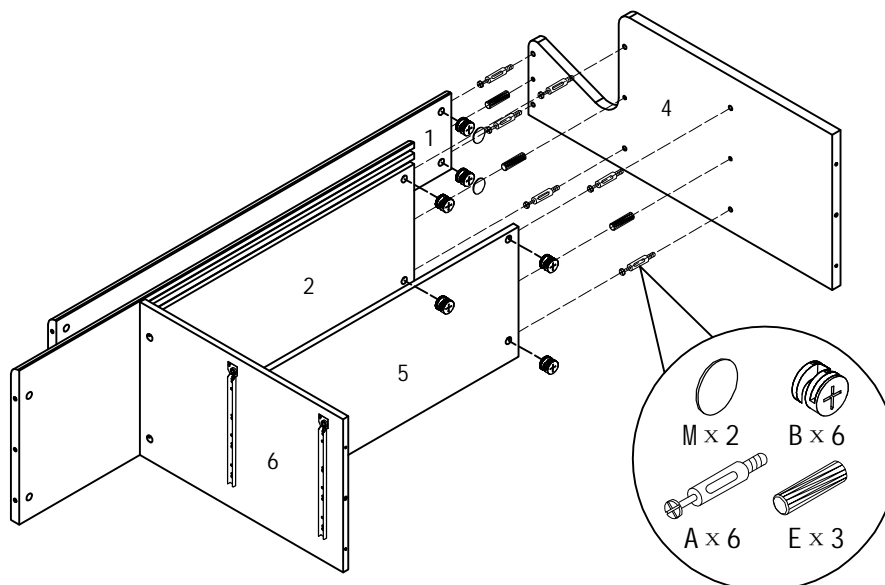
ASSEMBLY INSTRUCTION

ITEM#: 212877



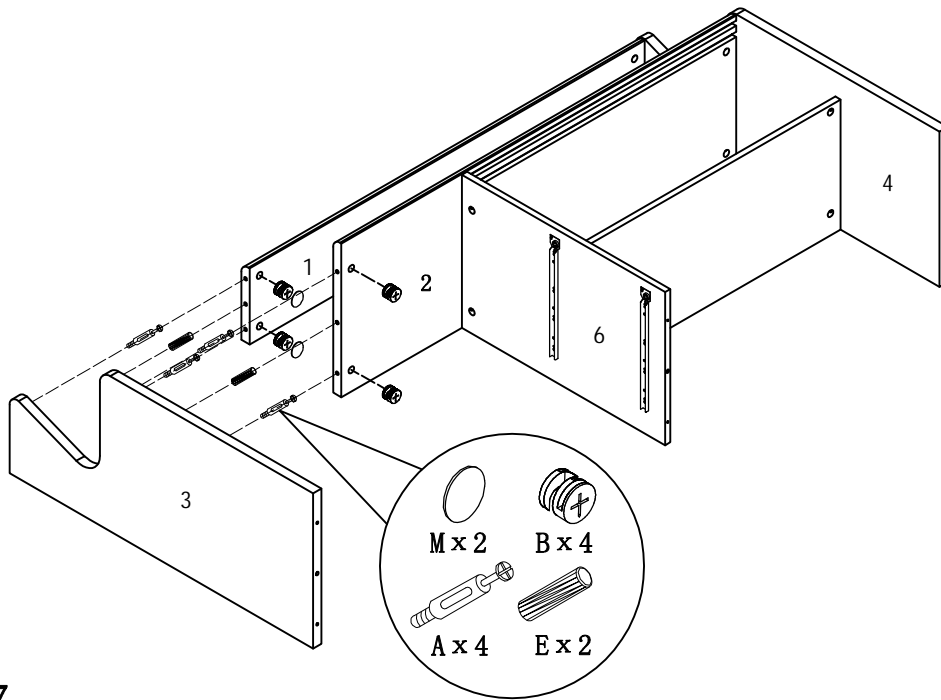
STEP5

STEP6



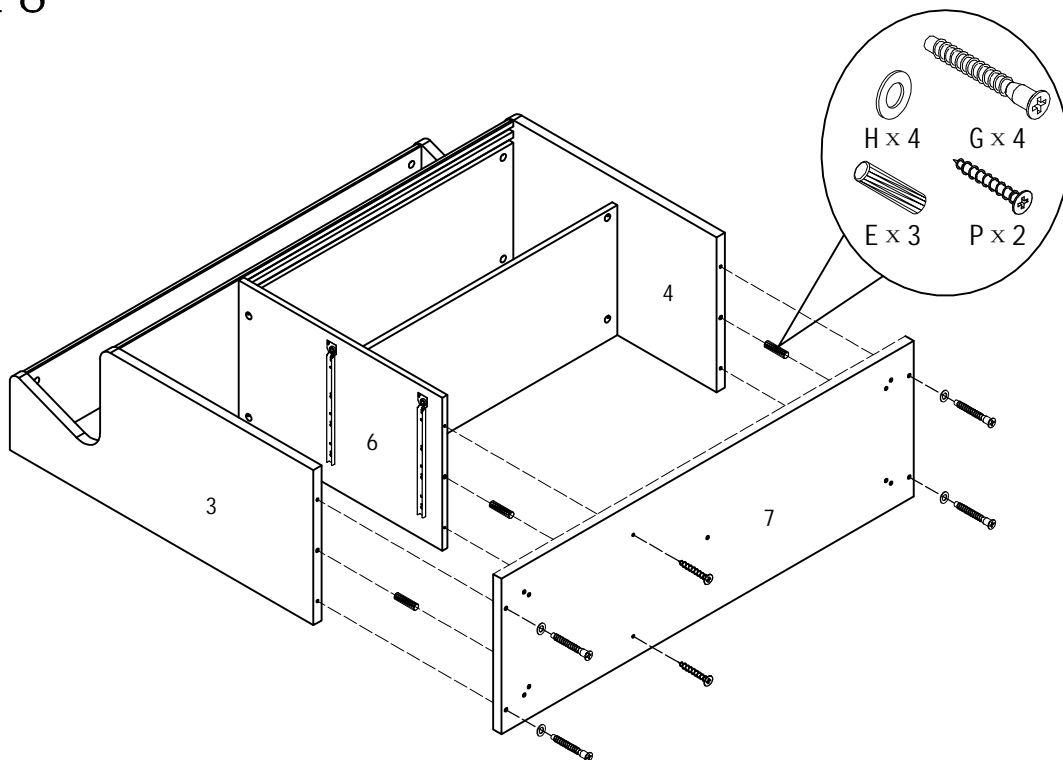
ASSEMBLY INSTRUCTION

ITEM#: 212877



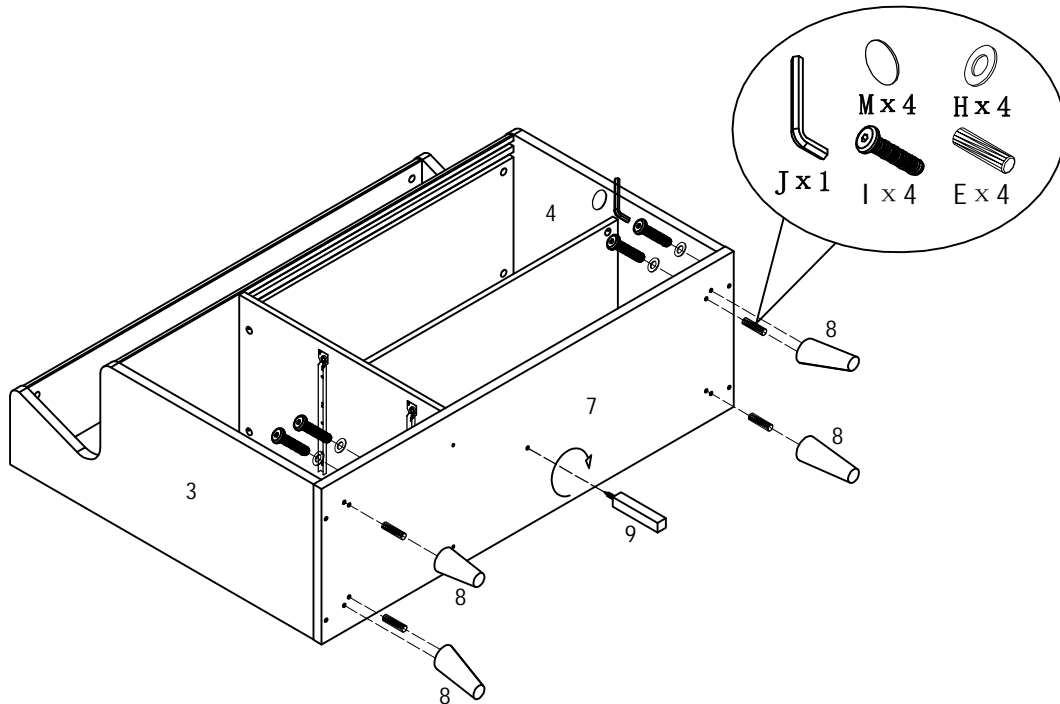
STEP 7

STEP 8



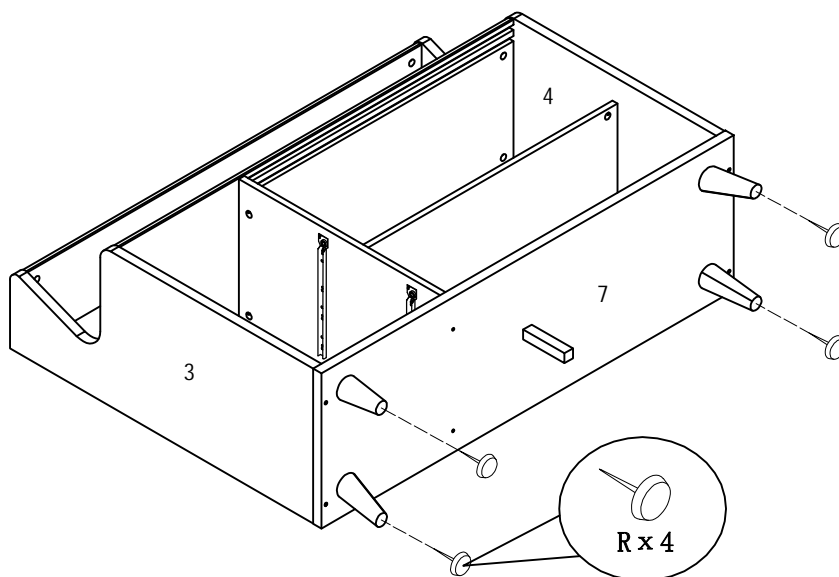
ASSEMBLY INSTRUCTION

ITEM#: 212877



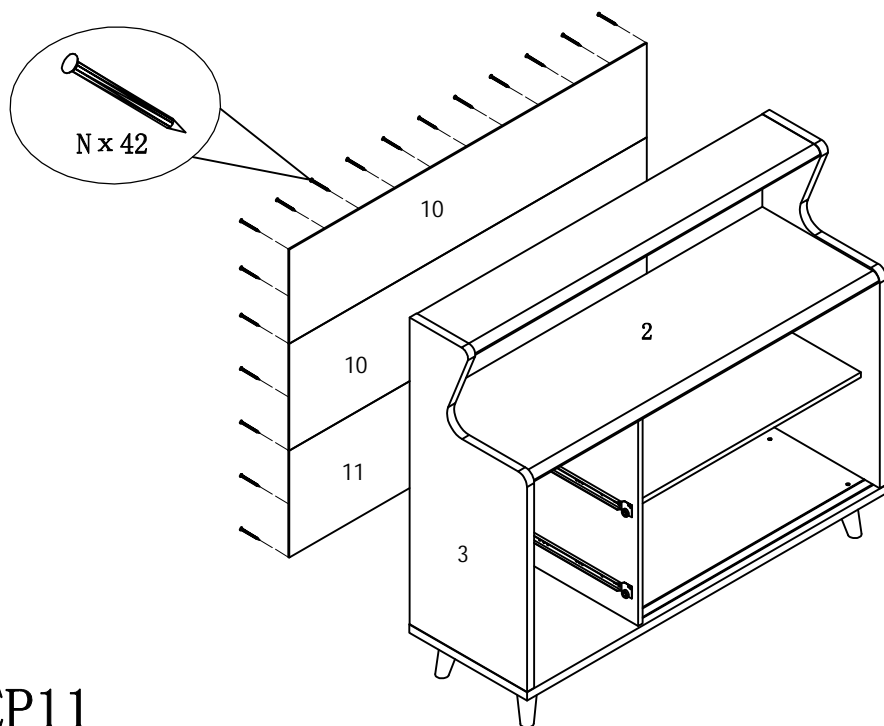
STEP9

STEP10



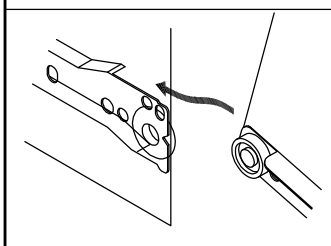
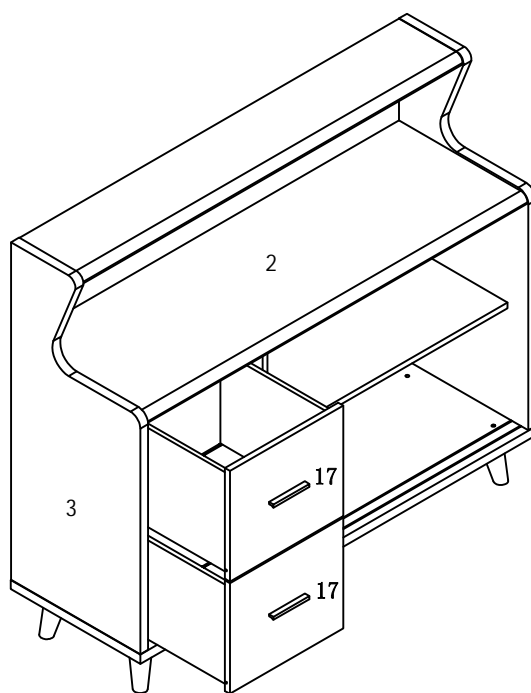
ASSEMBLY INSTRUCTION

ITEM#: 212877



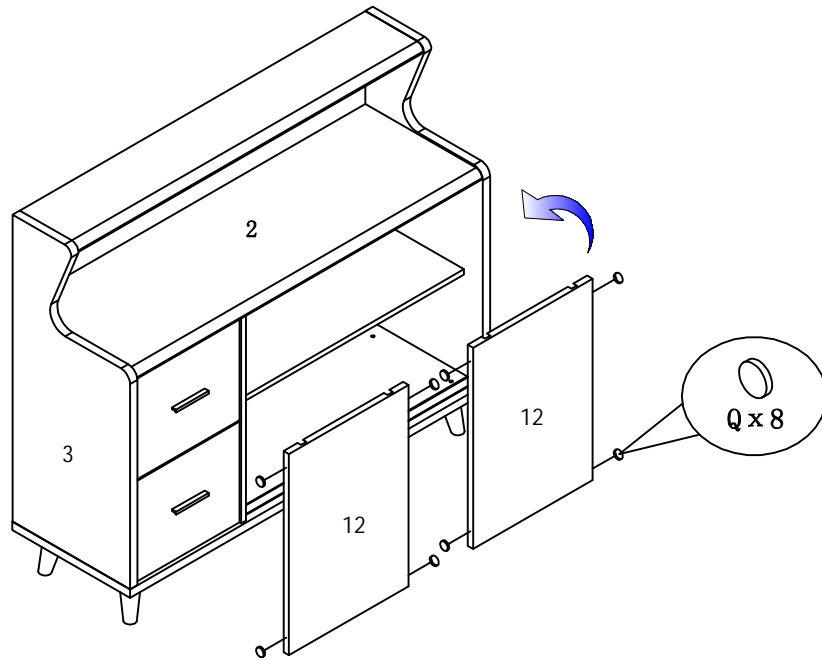
STEP 11

STEP 12



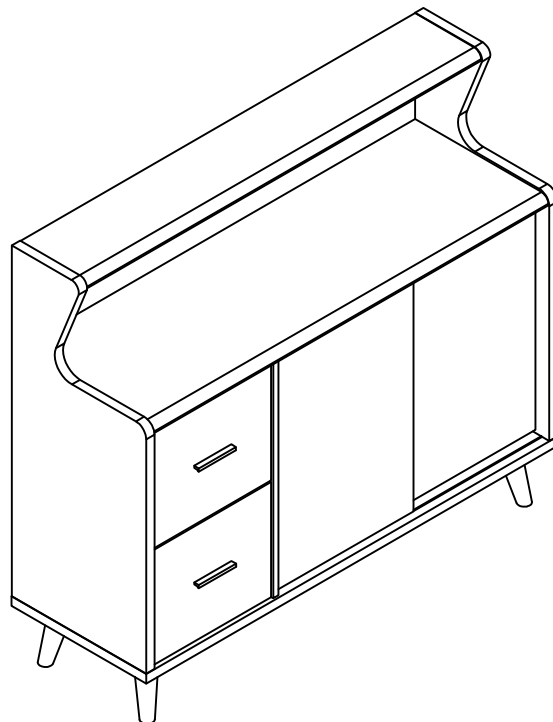
ASSEMBLY INSTRUCTION

ITEM#: 212877



STEP13

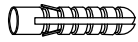
STEP14



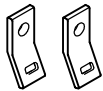
ANTI-TIPPING STRAP INSTRUCTION

HARDWARE (INCLUDED) :

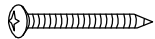
TOOLS NEEDED (NOT INCLUDED) :



DRYWALL ANCHOR $\phi 8 \times 40$ X 1PC



METAL BRACKETS $12 \times 12 \times 1$ X 2PCS



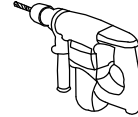
DRYWALL SCREW $\phi 5 \times 40$ X 1PC



STRAP $197 \times 5 \times 1$ X 1PC



FLATHEAD SCREW $\phi 4 \times 25$ X 1PC



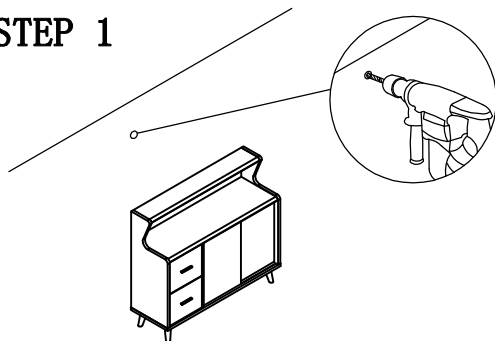
DRILL & DRILL BIT



LIGHT HAMMER

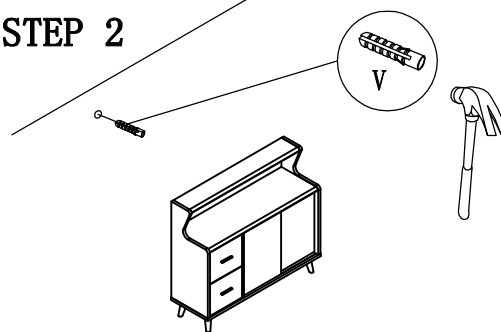
Note: Hardware included only compatible with standard drywalls.

STEP 1



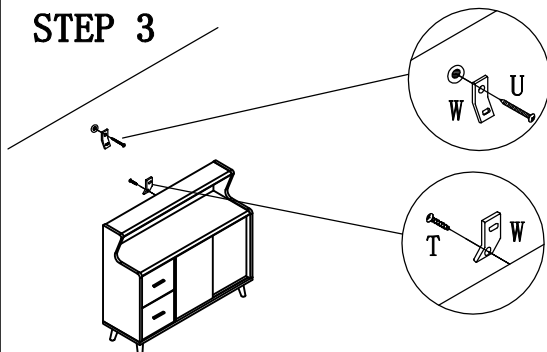
1. Find spot on wall 1" below top of item.
2. Using a drill bit slightly thinner than anchor, drill hole into drywall.

STEP 2



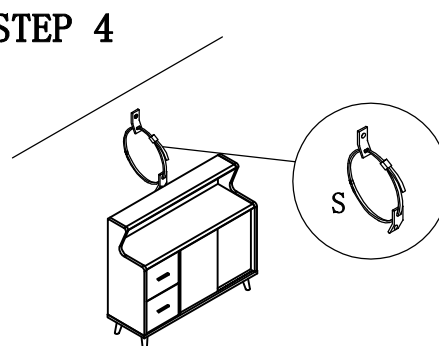
1. Use a light hammer to tap anchor into hole.
2. Anchor should fit snugly. If hole is too small, drill again to increase hole size. Do not force anchor into wall.

STEP 3



1. Insert drywall screw into metal bracket and into drywall anchor.
2. Insert flathead screw into second metal bracket and into back of item, along top edge.

STEP 4



1. Insert strap thru bracket attached to wall, then thru bracket on item, and into head of strap.
 2. pull lightly til strap stops.
- Assembly is complete.