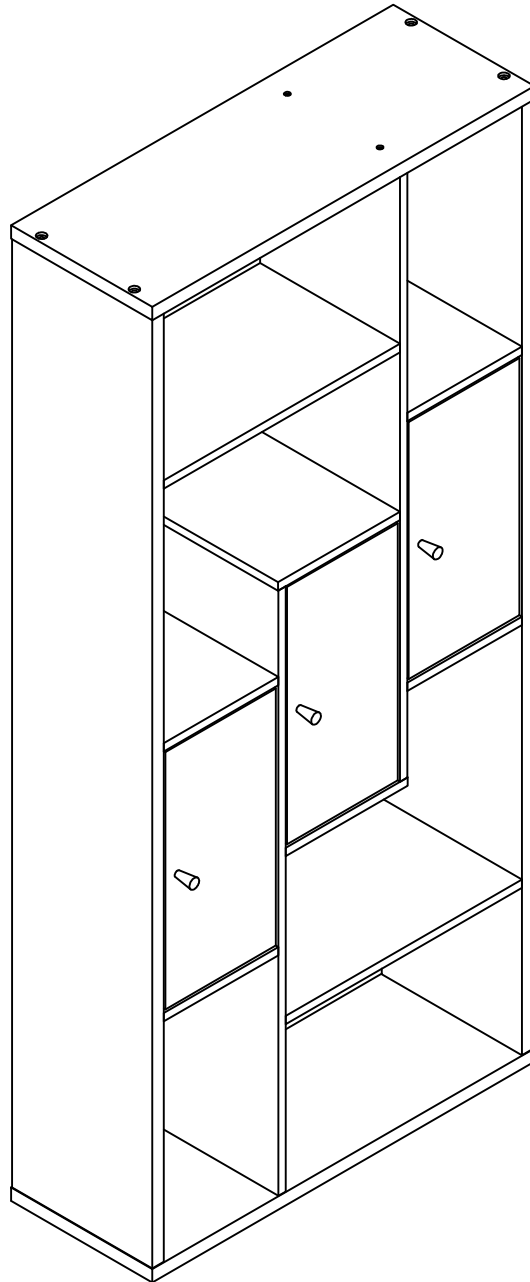


ASSEMBLY INSTRUCTION

ITEM#:213041



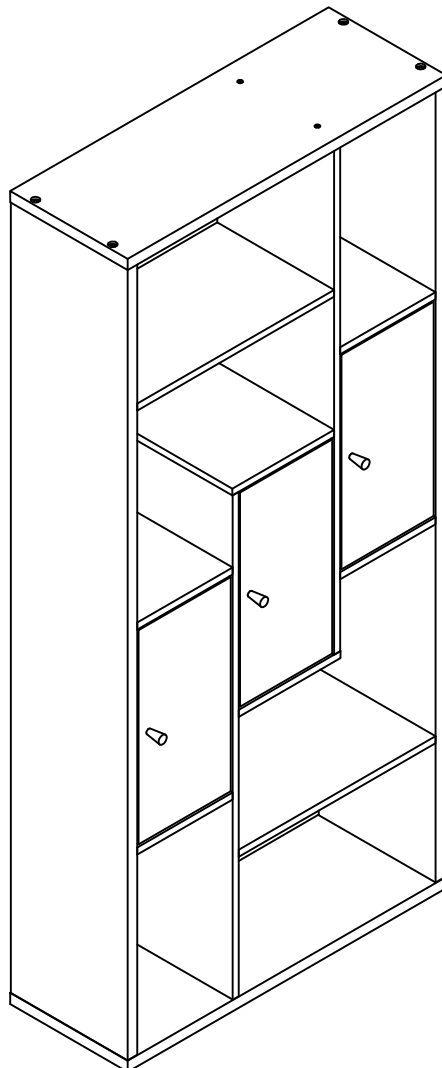
ASSEMBLY INSTRUCTION

PLEASE READ BEFORE ASSEMBLING!

Tip #1: Make sure you've taken all the pieces and hardware out of its packaging before discarding the box.

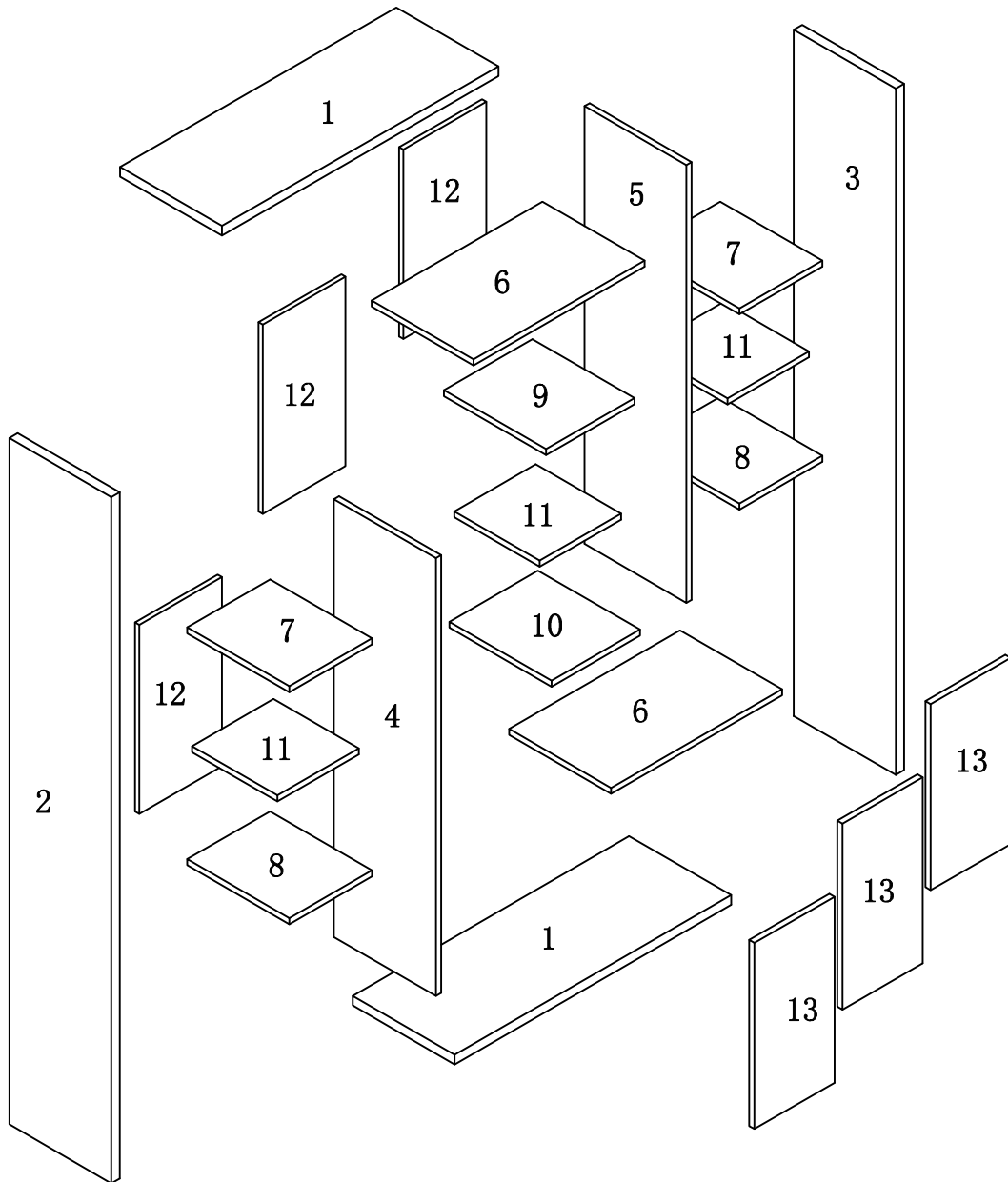
Tip #2: Using page 2 and/or page 3 of instruction manual make sure all pieces and hardware are accounted for.

ITEM#:213041



PARTS IDENTIFICATION

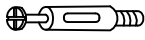




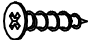


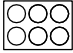

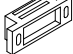



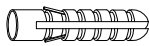






ITEM#:213041



(1)	1pc	(8)	2pcs
(2)	1pc	(9)	1pc
(3)	1pc	(10)	1pc
(4)	1pc	(11)	3pcs
(5)	1pc	(12)	3pcs
(6)	2pcs	(13)	3pcs
(7)	2pcs		

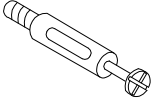

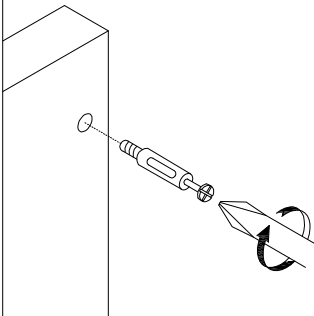
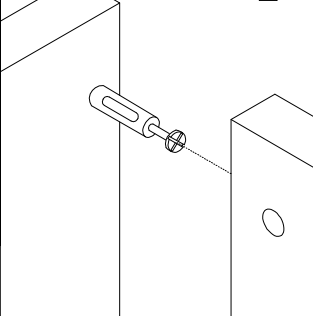
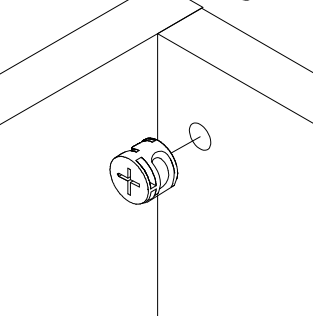
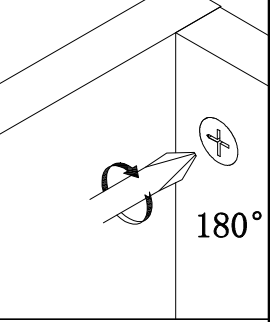
HARDWARE IDENTIFICATION

ITEM#:213041

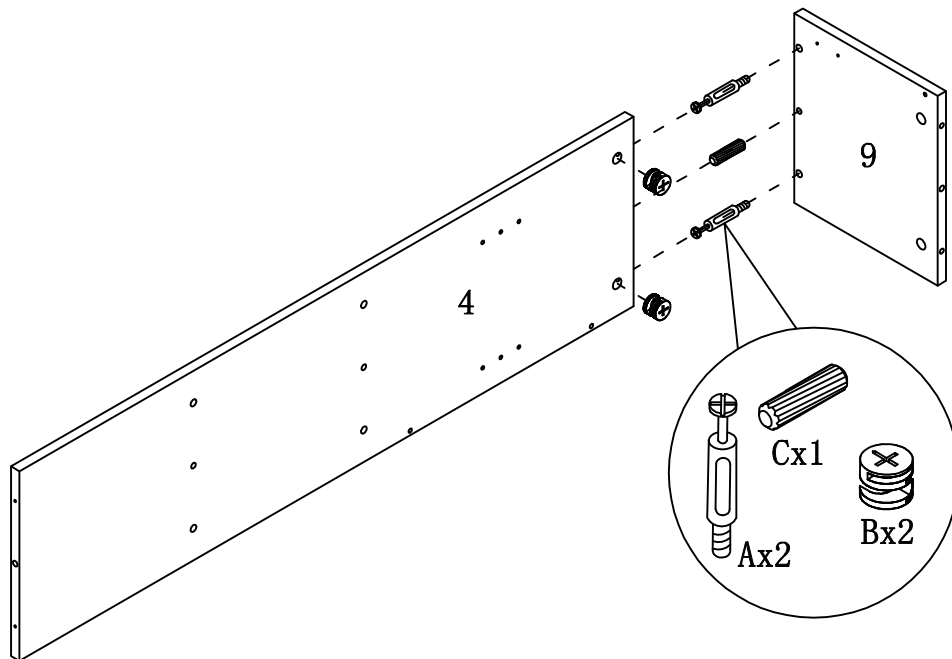
A		L29	30PCS
B		$\Phi 15$	30PCS
C		$\Phi 8 \times 25$	22PCS
D		$\Phi 7 \times 48$	8PCS
E		$\Phi 3 \times 14$	6PCS
F		$\Phi 3 \times 16$	6PCS
G		$\Phi 4 \times 40$	6PCS
H			3SET
I		$\Phi 20$ BK3	8PCS
J			3PCS
K			3PCS
L		$197 \times 5 \times 1$	1PC
M		$\varnothing 4 \times 25$	1PC
N		$\varnothing 5 \times 40$	1PC
O		$\varnothing 8 \times 40$	1PC
P		$12 \times 12 \times 1$	2PCS
Q		$\varnothing 4 \times 22$	3PCS
R			3PCS
S		$\varnothing 5 \times 16$	12PCS
T			5PCS
U		$\Phi 6 \times 30$	12PCS

HARDWARE IDENTIFICATION

ITEM#:213041

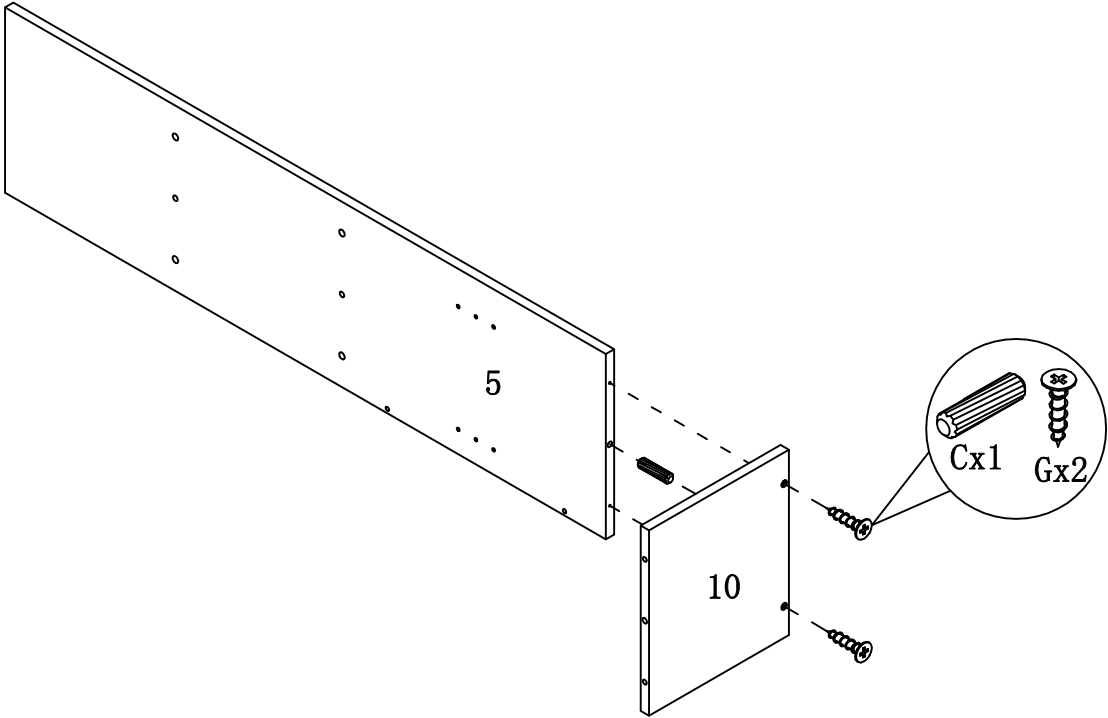
<p>HOW TO</p>  <p>Cam Bolt</p>  <p>Cam Lock</p>	<p>1</p>  <p>1. Screw Cam Bolt into panel.</p>	<p>2</p>  <p>2. Insert Cam Bolt into bolt hole of joining panel.</p>	<p>3</p>  <p>3. Insert Cam Lock. arrow facing bolt.</p>	<p>4</p>  <p>4. Gently turn Cam Lock clockwise to lock position.</p>
---	---	---	---	---

STEP 1



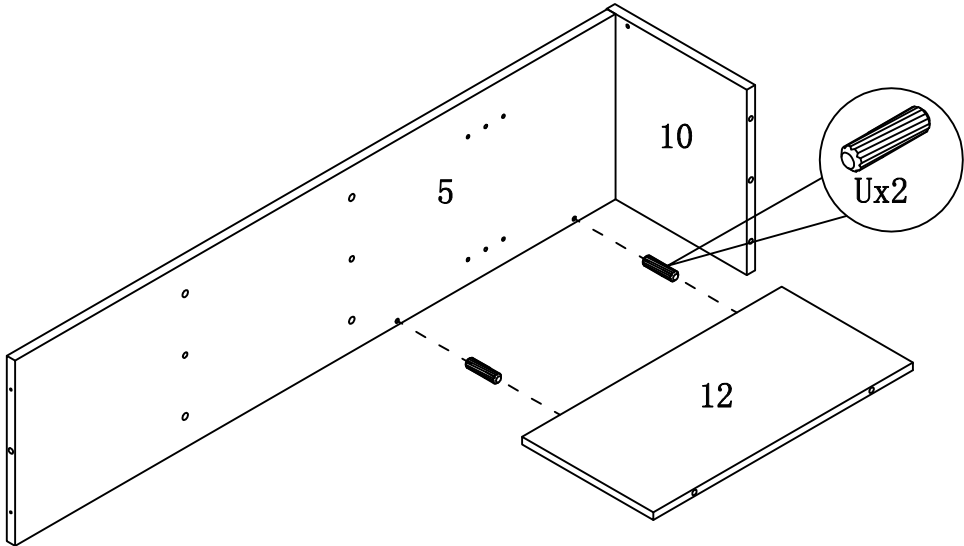
HARDWARE IDENTIFICATION

ITEM#:213041



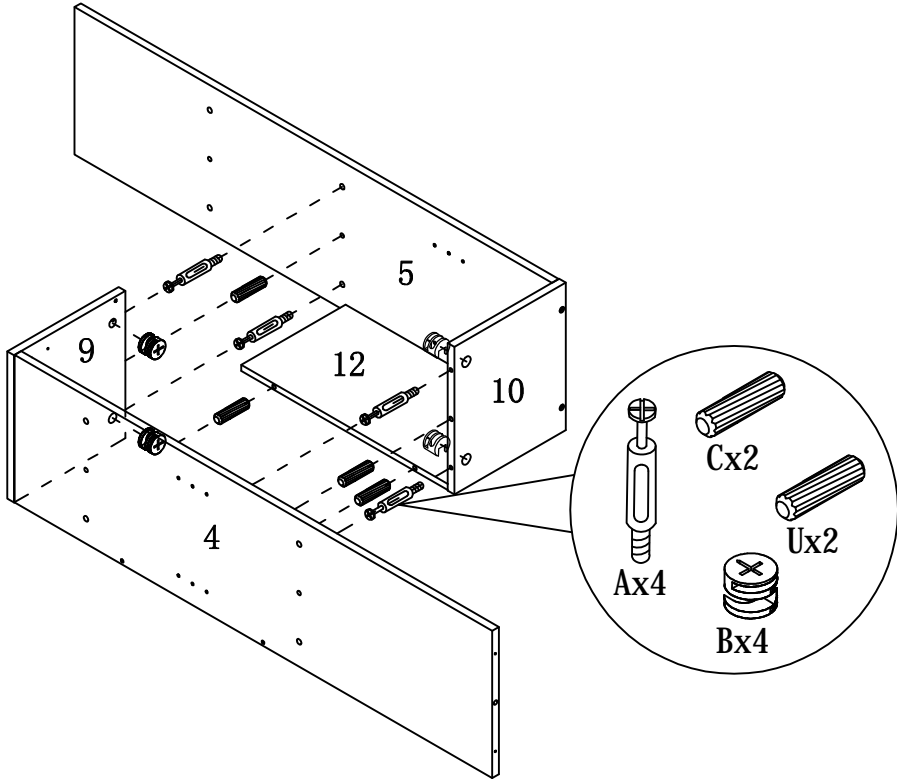
STEP2

STEP3



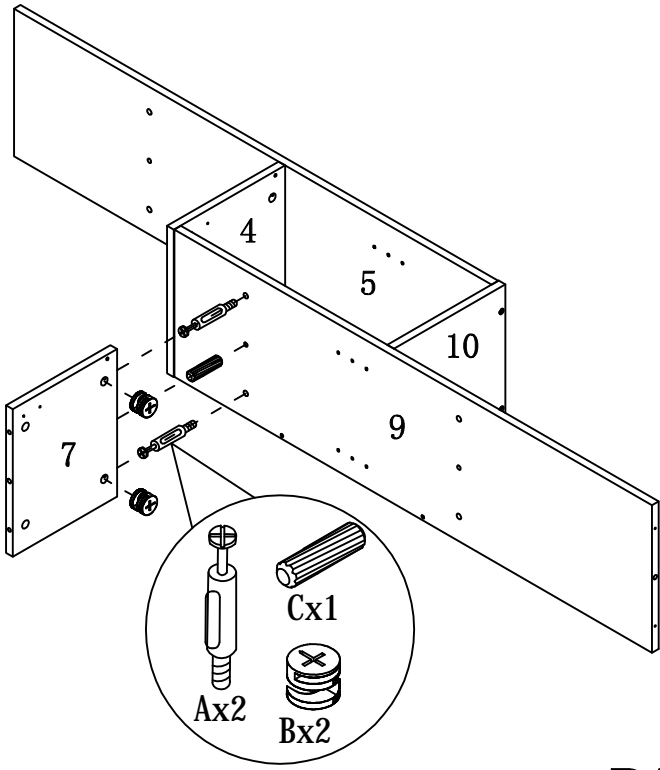
HARDWARE IDENTIFICATION

ITEM#:213041



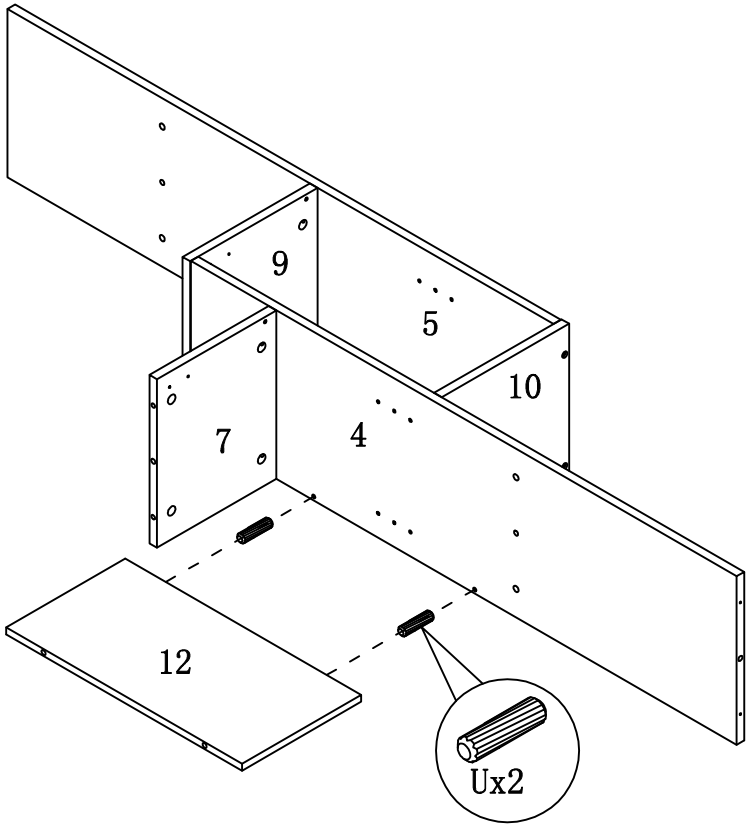
STEP4

STEP5



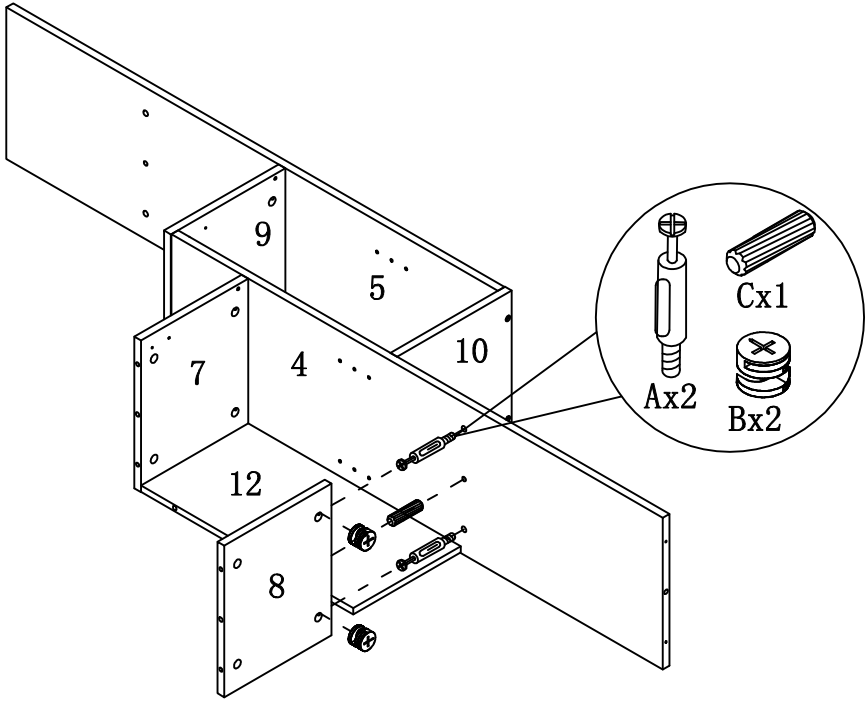
HARDWARE IDENTIFICATION

ITEM#:213041



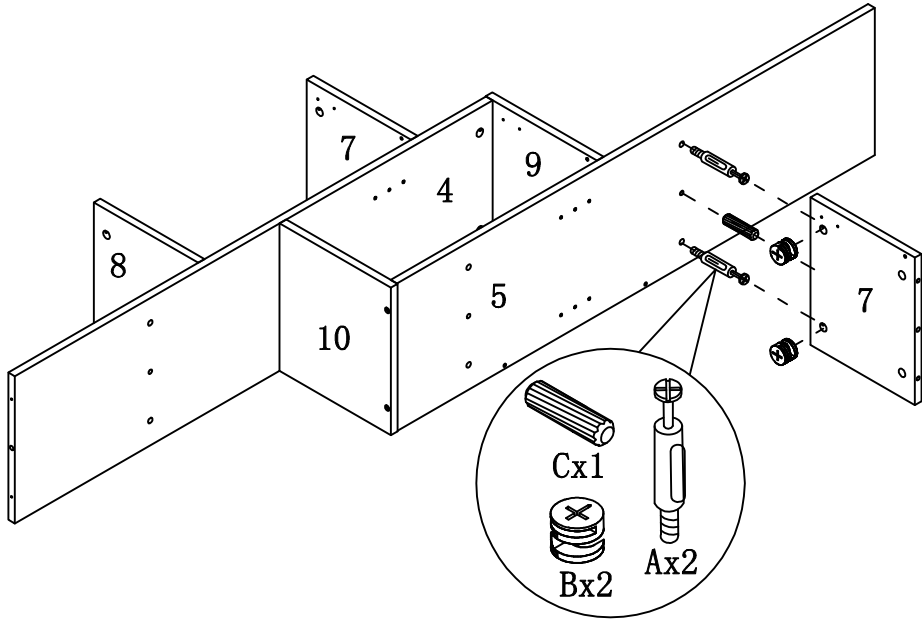
STEP6

STEP7



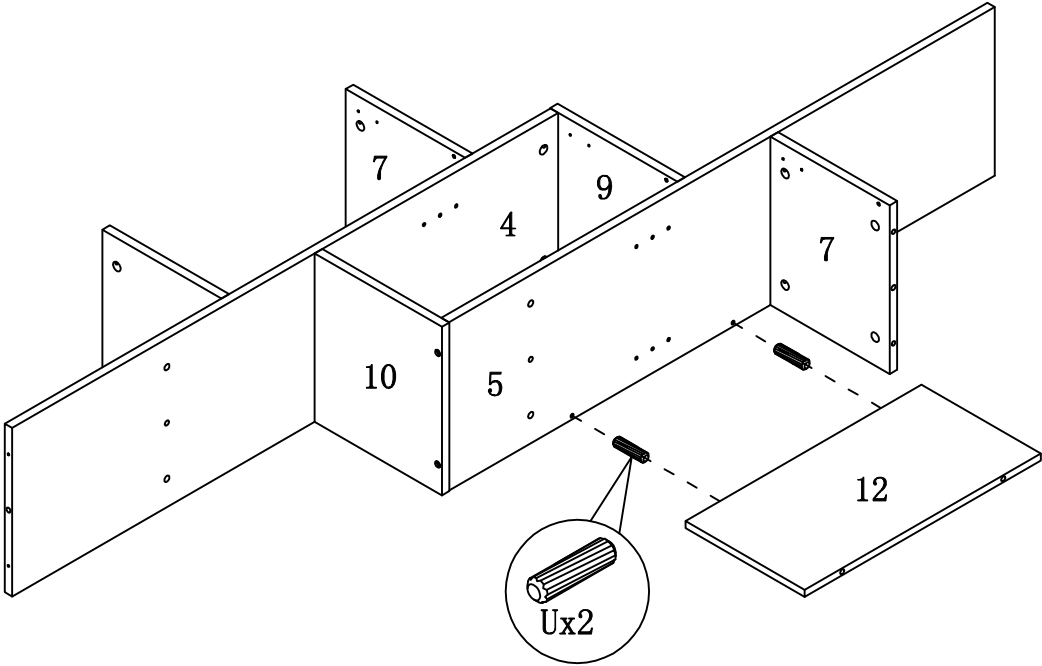
HARDWARE IDENTIFICATION

ITEM#:213041



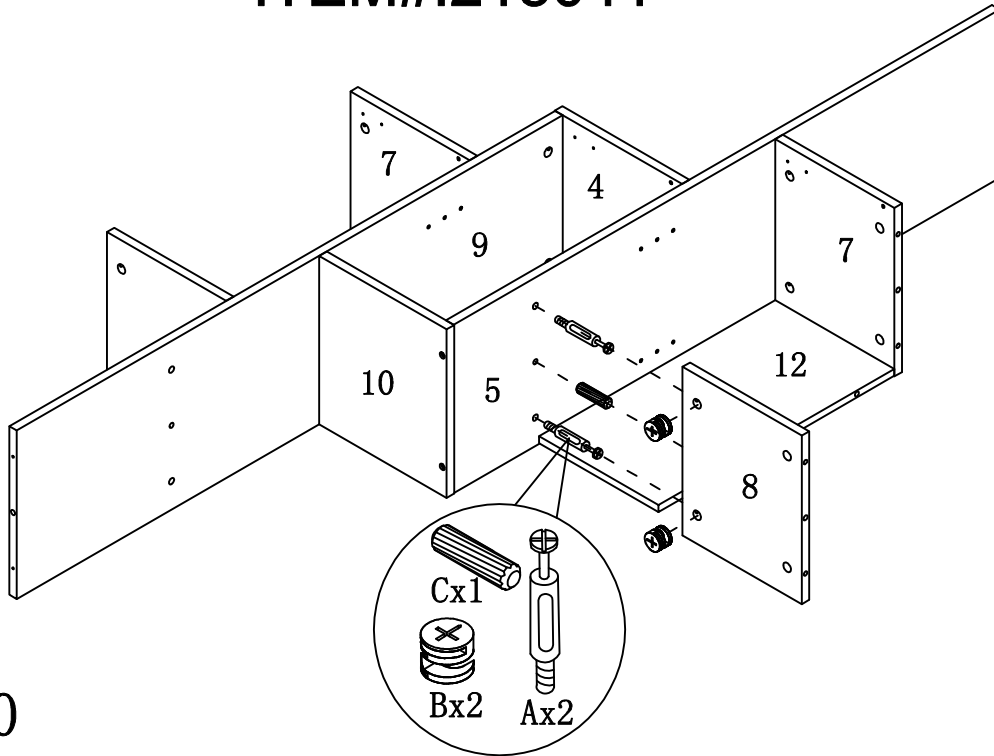
STEP8

STEP9



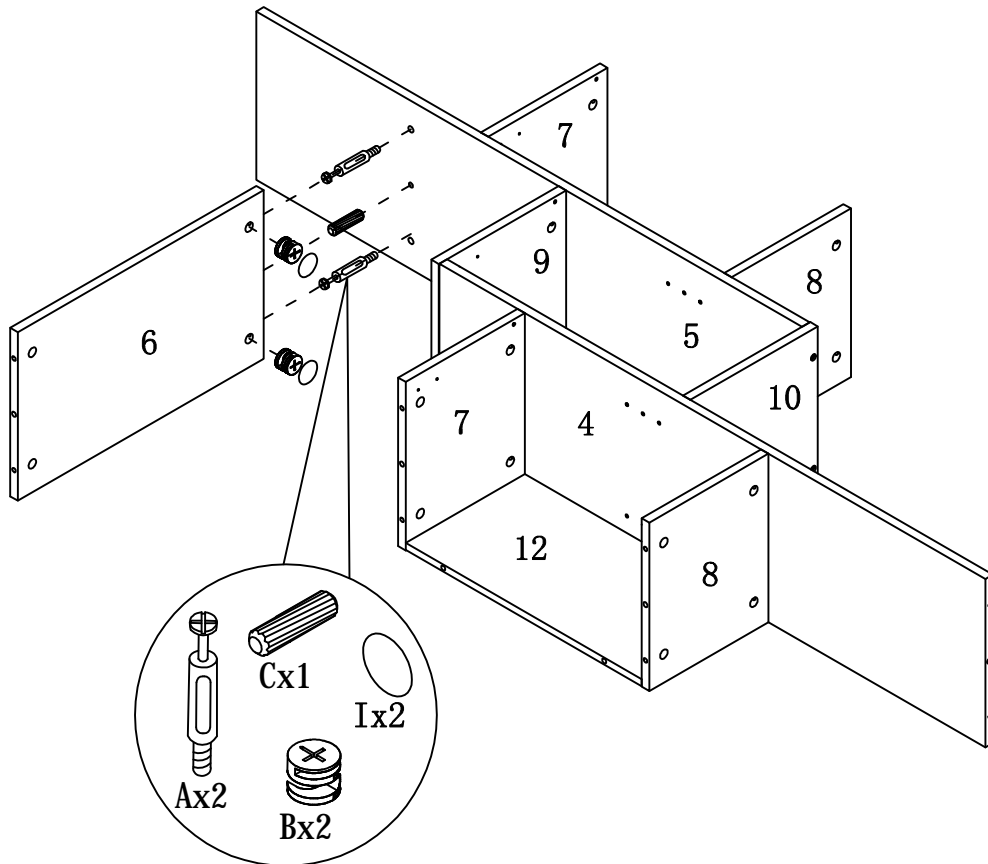
HARDWARE IDENTIFICATION

ITEM#:213041



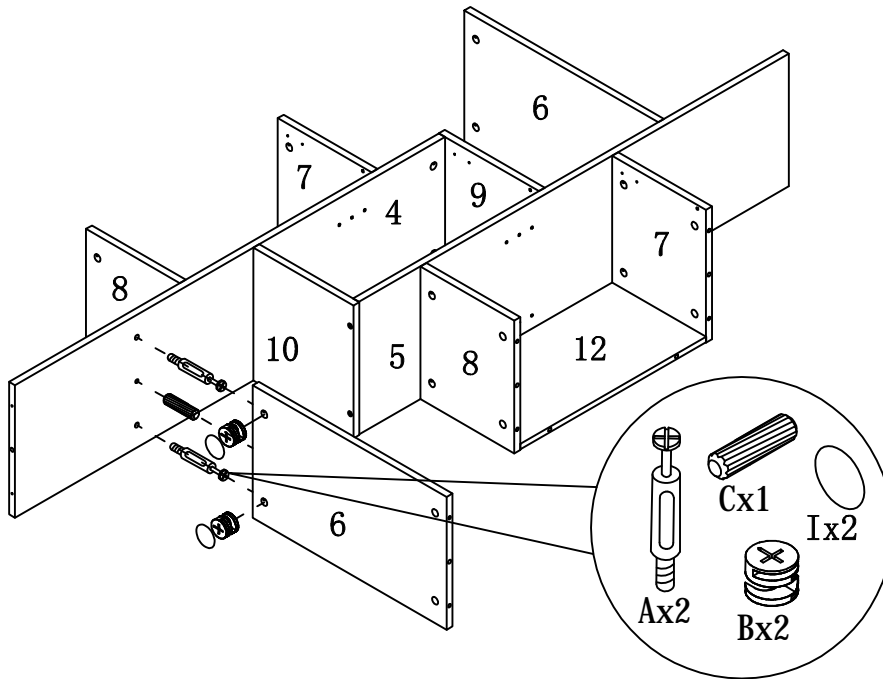
STEP10

STEP11



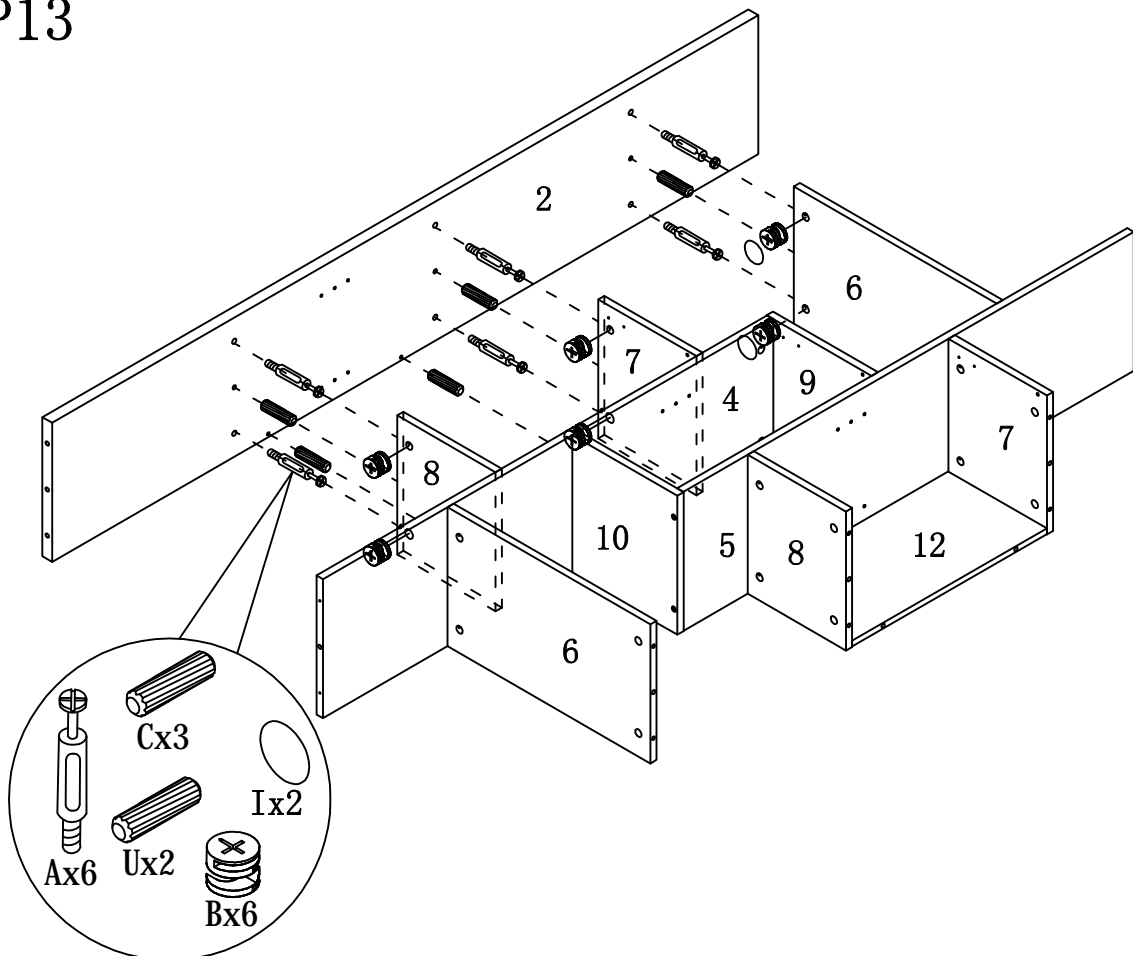
HARDWARE IDENTIFICATION

ITEM#:213041



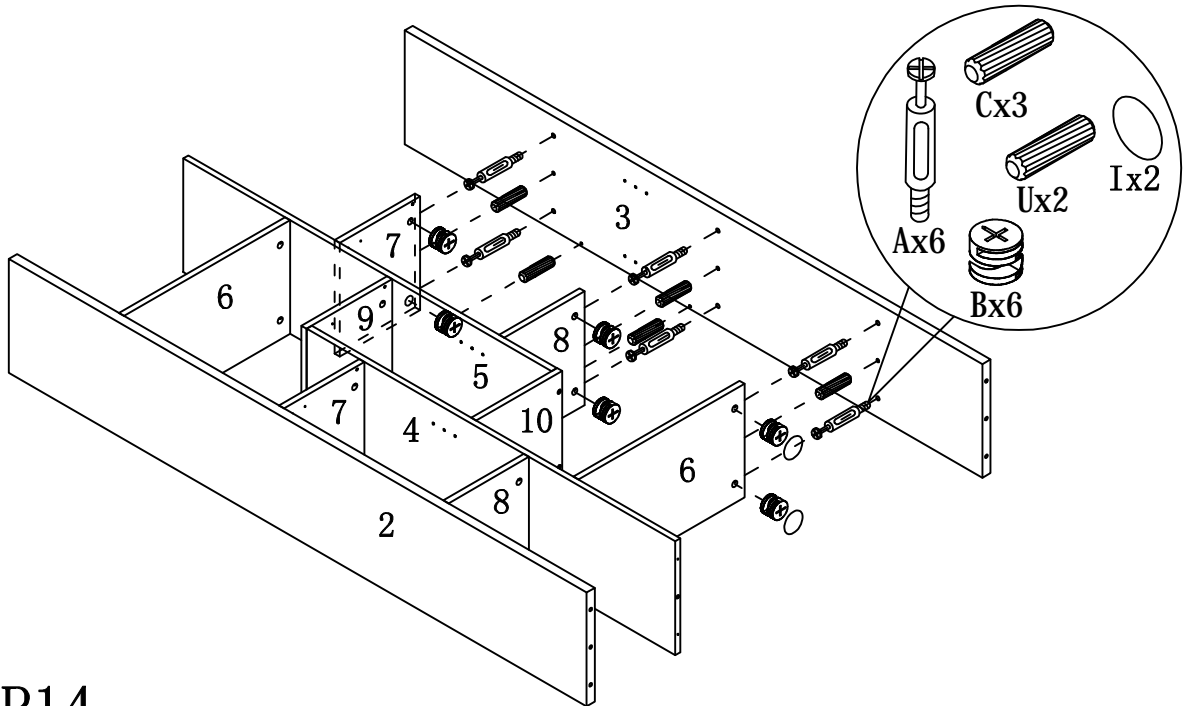
STEP12

STEP13



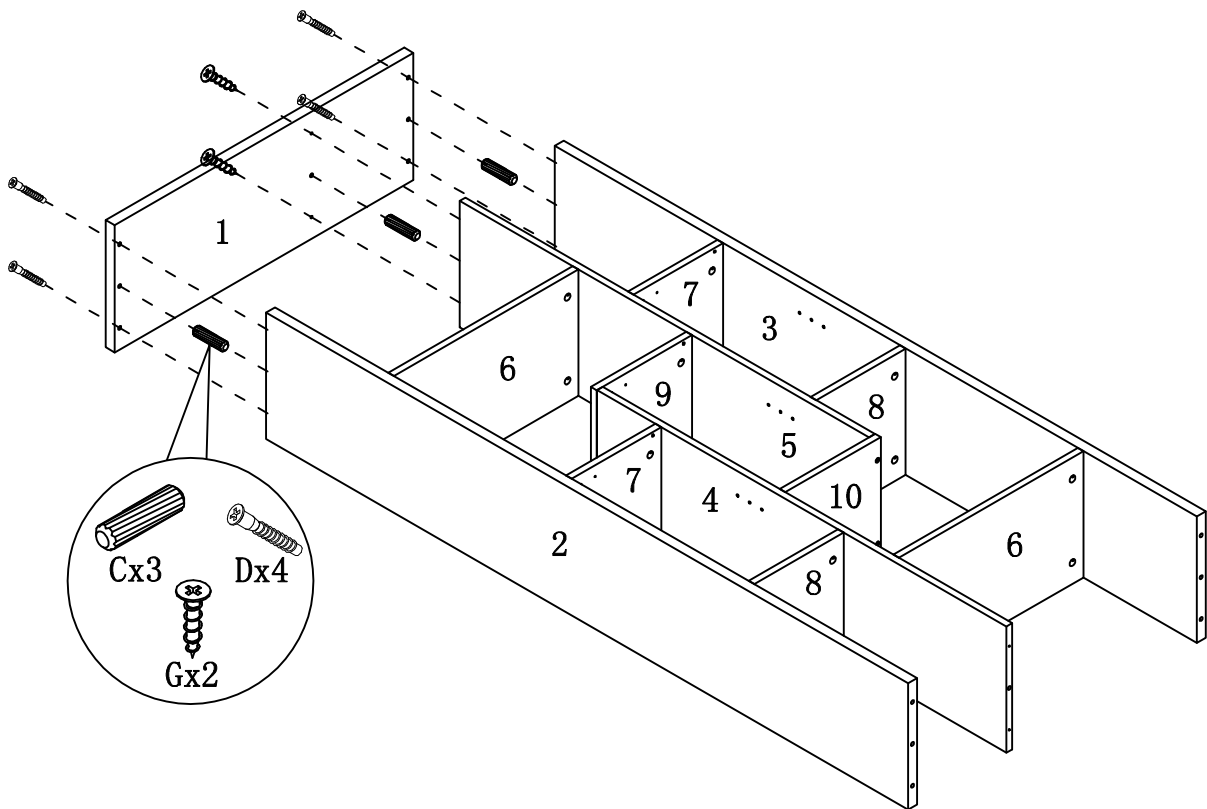
HARDWARE IDENTIFICATION

ITEM#:213041



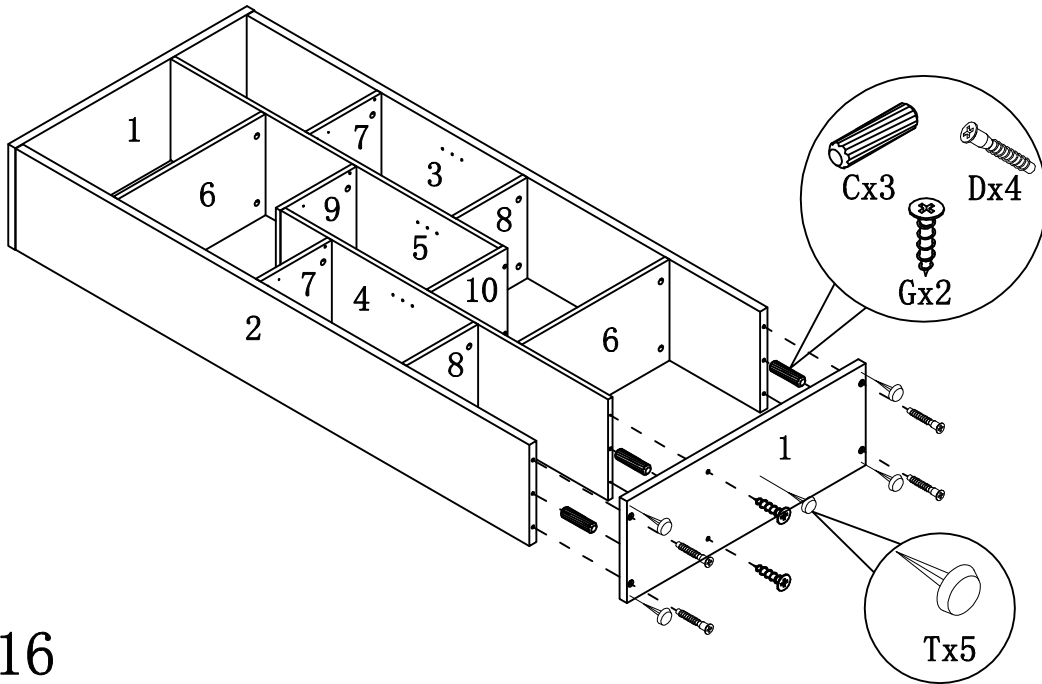
STEP14

STEP15



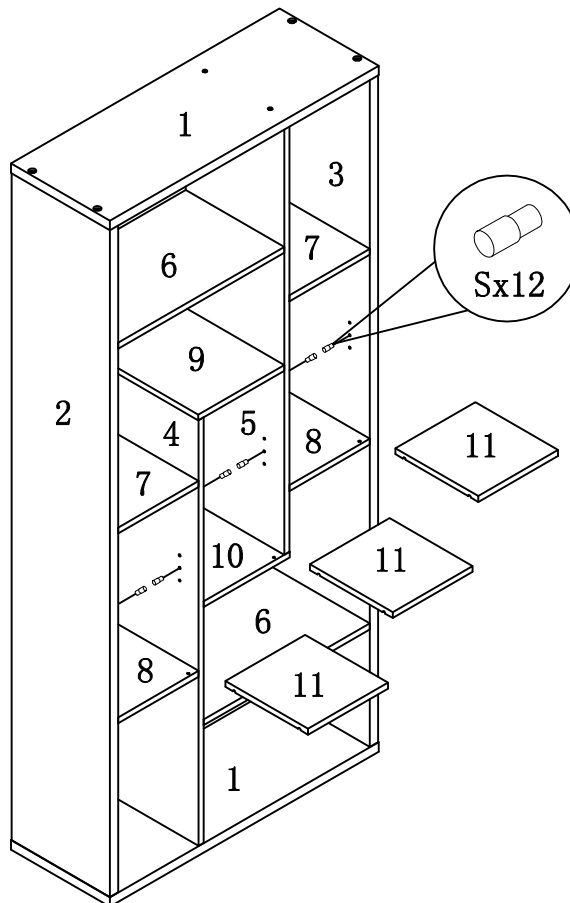
HARDWARE IDENTIFICATION

ITEM#:213041



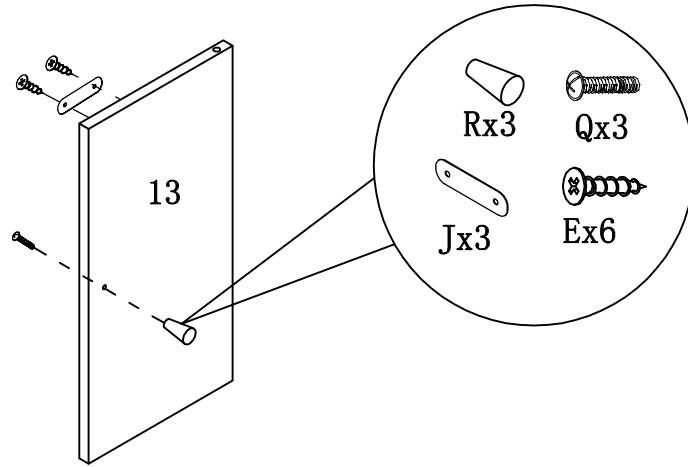
STEP16

STEP17



HARDWARE IDENTIFICATION

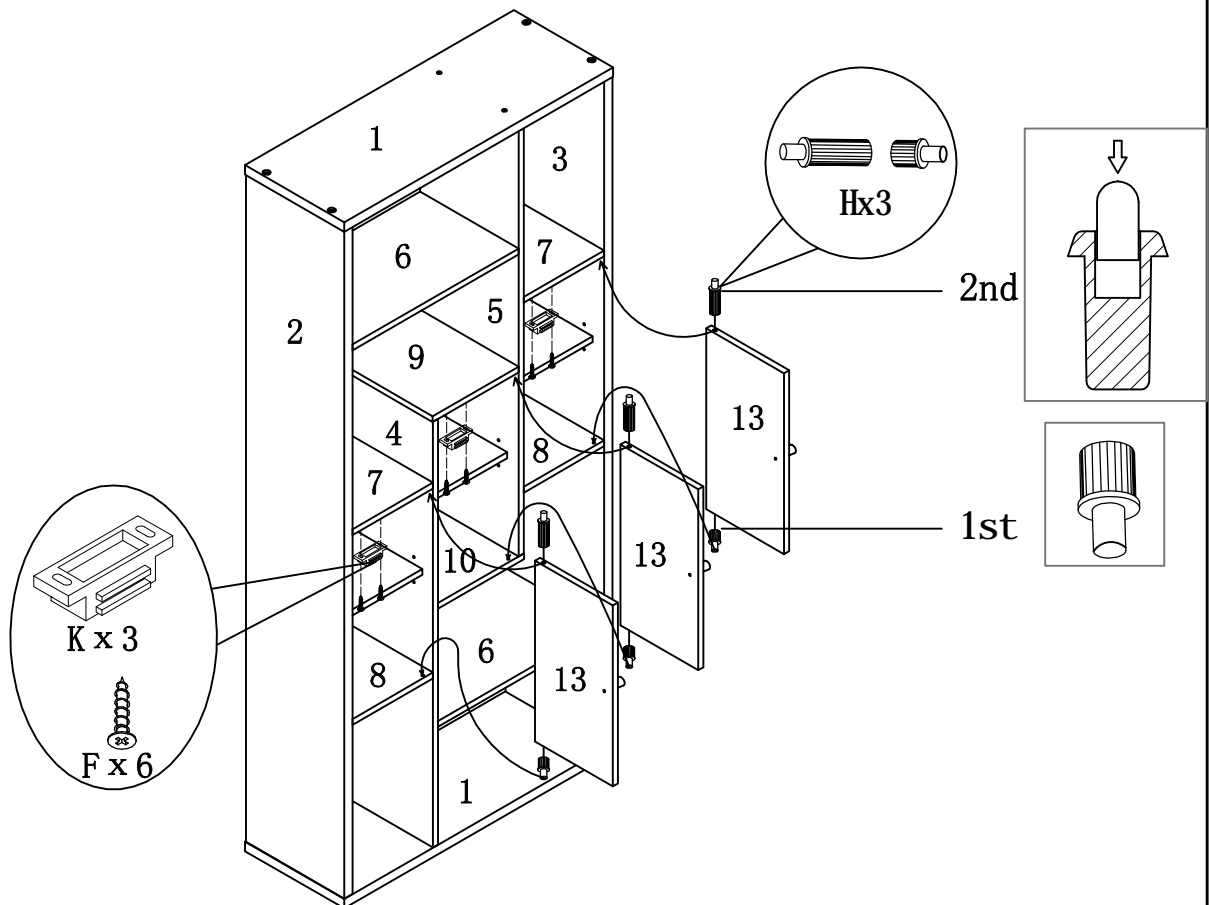
ITEM#:213041



x3

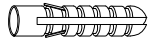
STEP18

STEP19

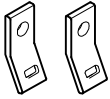


ANTI-TIPPING STRAP INSTRUCTION

HARDWARE (INCLUDED) :



DRYWALL ANCHOR $\phi 8 \times 40$ X 1PC



METAL BRACKETS $12 \times 12 \times 1$ X 2PCS



DRYWALL SCREW $\phi 5 \times 40$ X 1PC

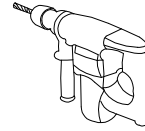


STRAP $197 \times 5 \times 1$ X 1PC



FLATHEAD SCREW $\phi 4 \times 25$ X 1PC

TOOLS NEEDED (NOT INCLUDED) :



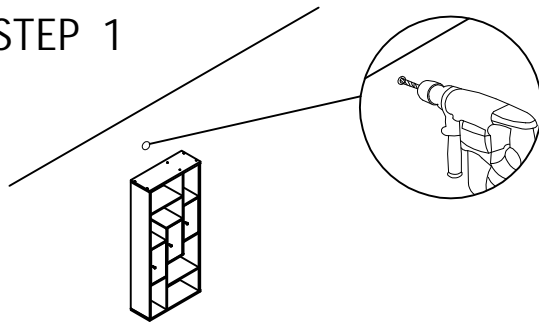
DRILL & DRILL BIT



LIGHT HAMMER

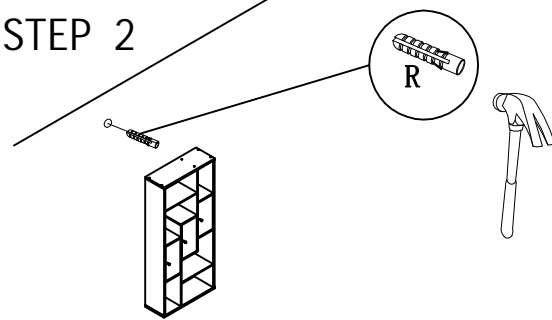
Note: Hardware included only compatible with standard drywalls.

STEP 1



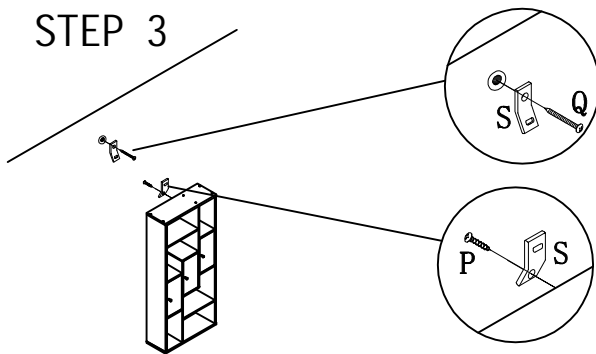
1. Find spot on wall 1" below top of item.
2. Using a drill bit slightly thinner than anchor, drill hole into drywall.

STEP 2



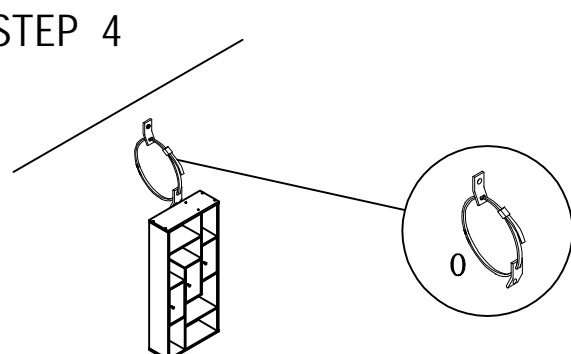
1. Use a light hammer to tap anchor into hole.
2. Anchor should fit snugly. If hole is too small, drill again to increase hole size. Do not force anchor into wall.

STEP 3



1. Insert drywall screw into metal bracket and into drywall anchor.
2. Insert flathead screw into second metal bracket and into back of item. along top edge.

STEP 4



1. Insert strap thru bracket attached to wall. then thru bracket on item, and into head of strap.
 2. pull lightly til strap stops.
- Assembly is complete.