

ASSEMBLY INSTRUCTION

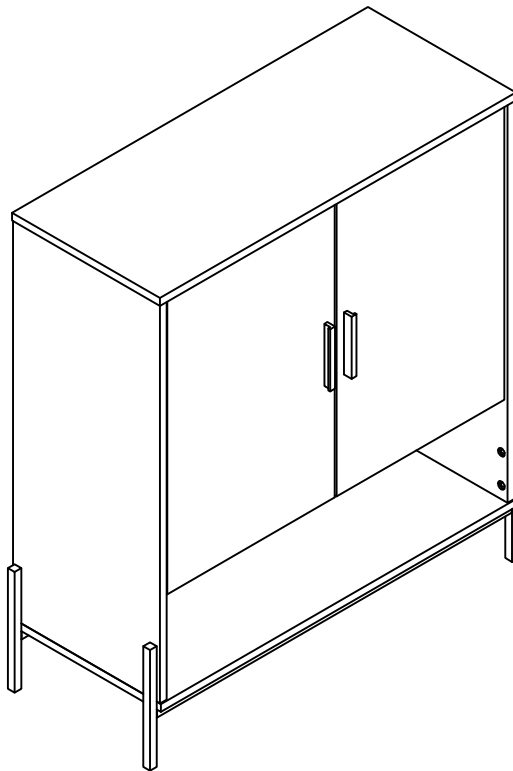
PLEASE READ BEFORE ASSEMBLING!

Tip #1: Make sure you've taken all the pieces and hardware out of its packaging before discarding the box.

Tip #2: Using page 2 and/or page 3 of instruction manual make sure all pieces and hardware are accounted for.

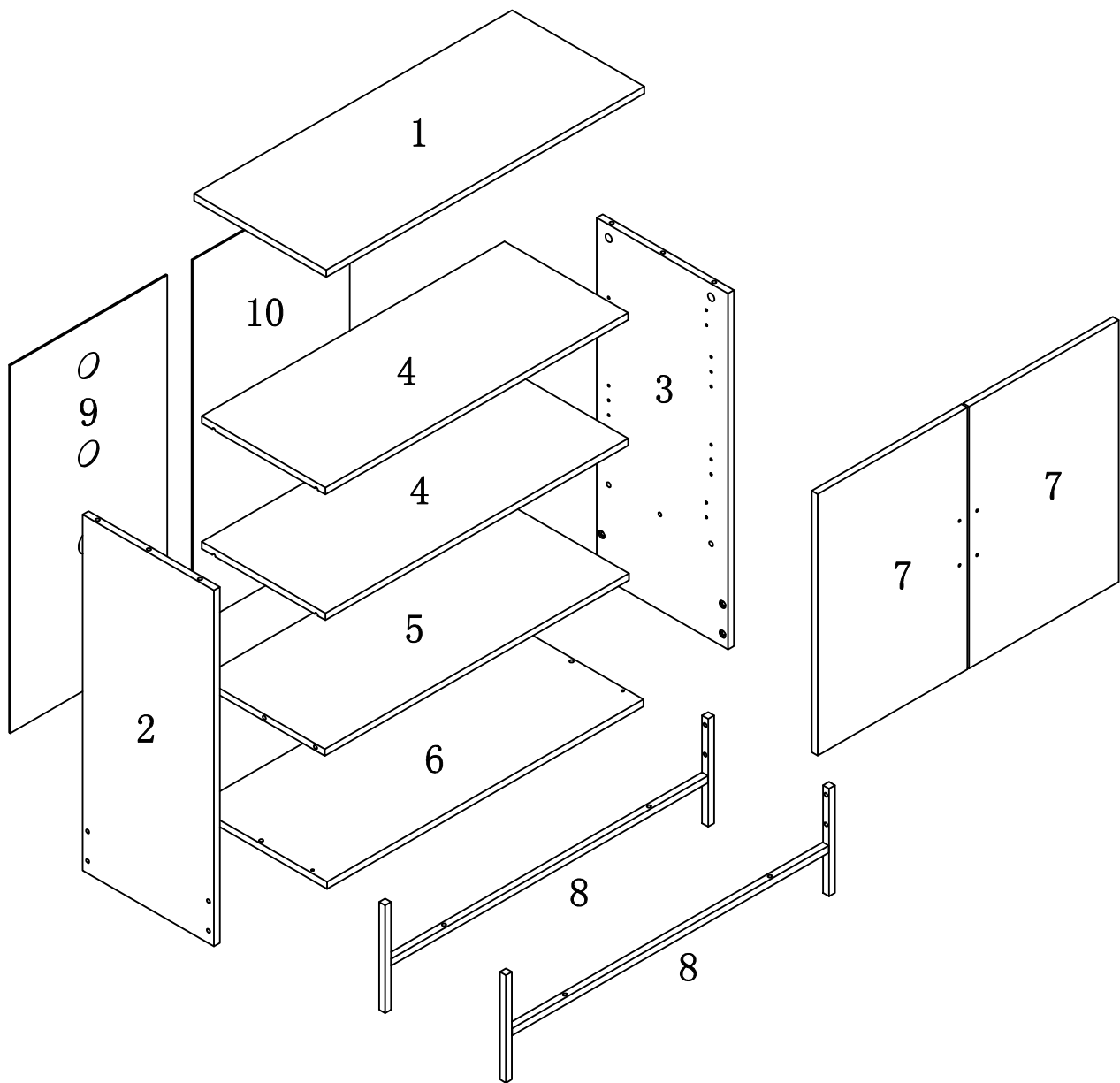
Tip #3: Read manual before assembling, it helps!

ITEM#: 223109



PARTS IDENTIFICATION

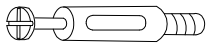


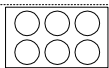
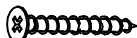



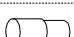

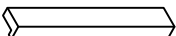


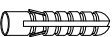


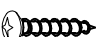
ITEM#:223109



(1)	1pc	(7)	2pcs
(2)	1pc	(8)	2pcs
(3)	1pc	(9)	1pc
(4)	2pcs	(10)	1pc
(5)	1pc		
(6)	1pc		

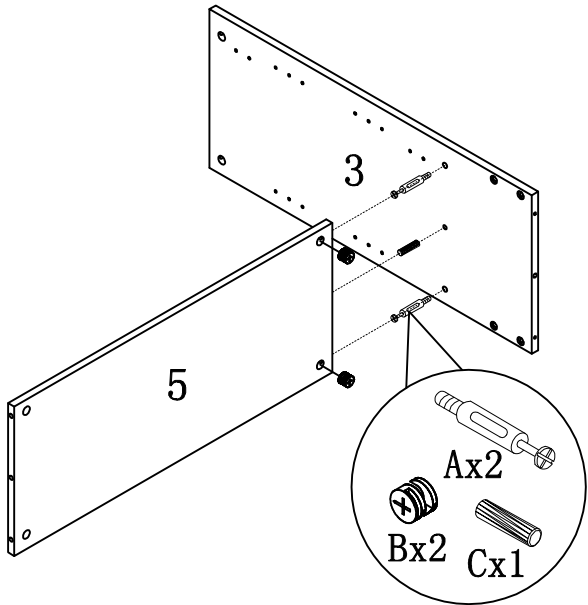
HARDWARE IDENTIFICATION

ITEM#: 223109

A		L29	8pcs
B		Ø15	8pcs
C		Ø8x25	6pcs
D		Ø22	12pcs
E		Ø4x40	4pcs
F		M6x25	12pcs
G		301C	4pcs
H		Ø4x16	24pcs
I		Ø5x15	8pcs
J			30pcs
K		96#	2pcs
L		Ø4x20	4pcs
M		197x5x1	1pc
N		Φ8x40	1pc
O		12x12x1	2pcs
P		Φ5x40	1pc
Q		Φ4x25	1pc

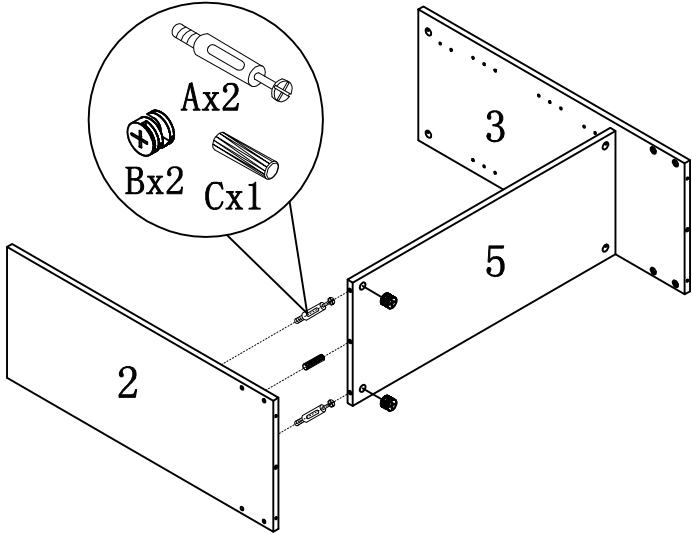
ASSEMBLY INSTRUCTION

ITEM#: 223109



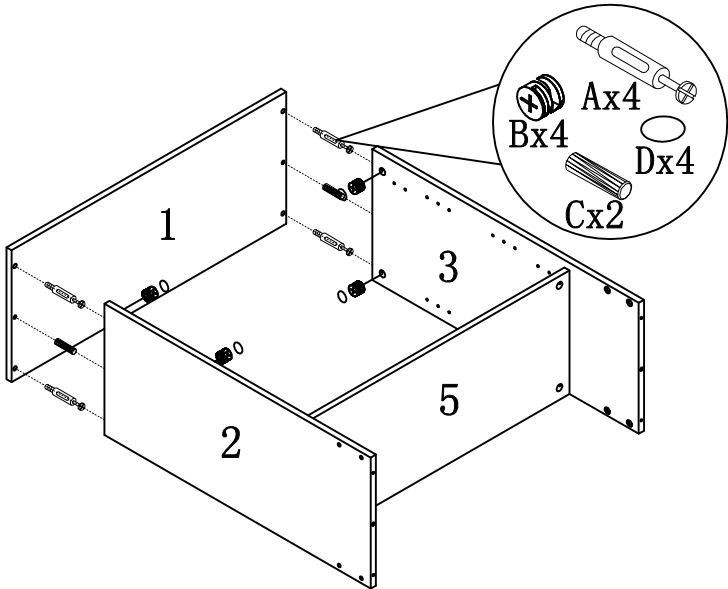
STEP 1

STEP 2



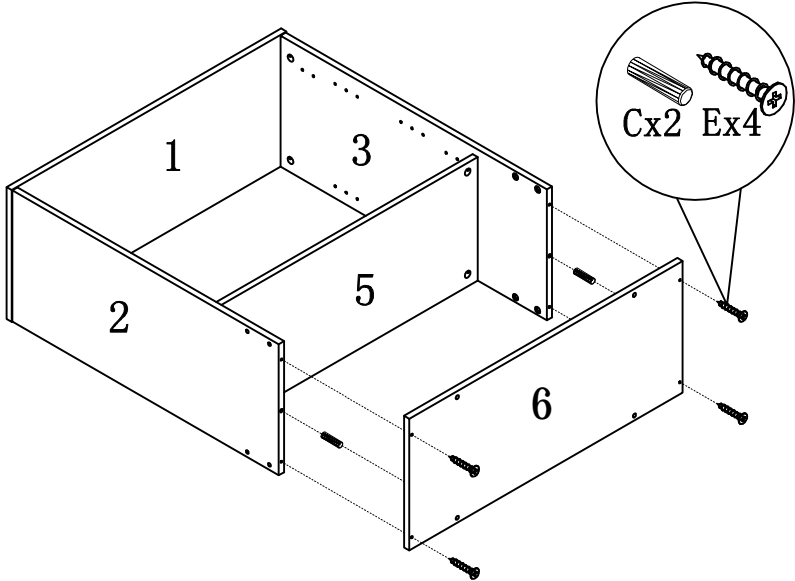
ASSEMBLY INSTRUCTION

ITEM#: 223109



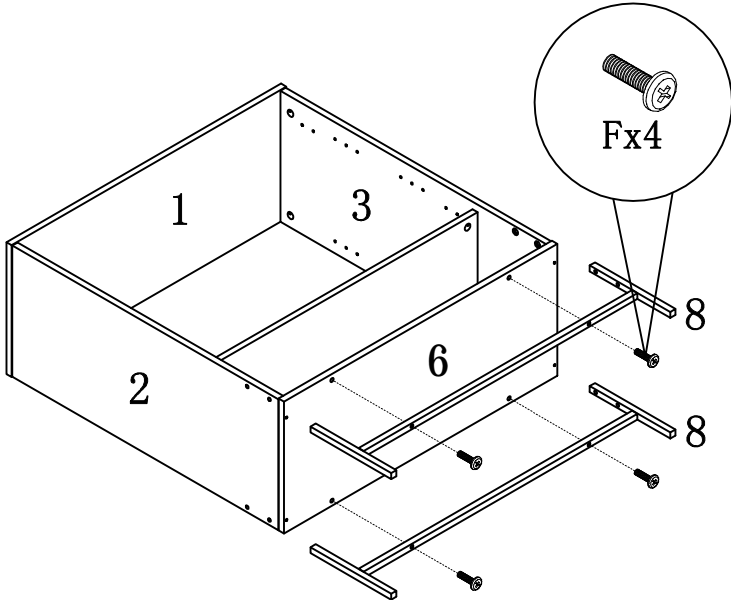
STEP3

STEP4



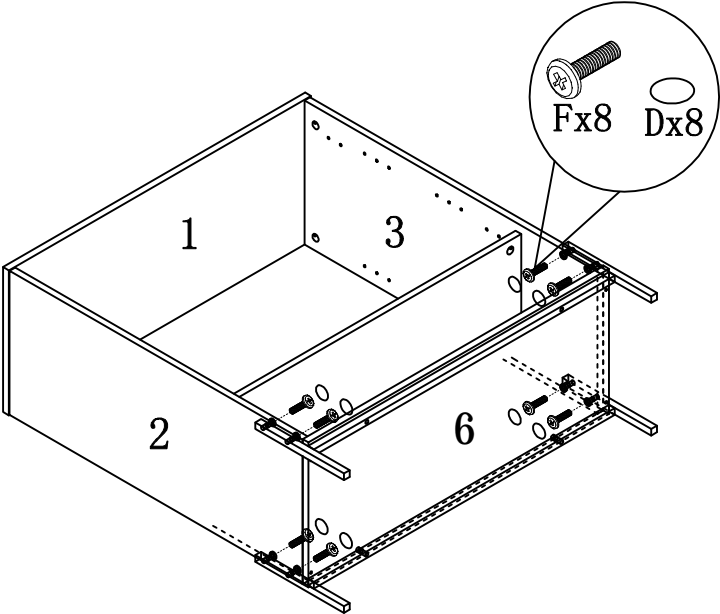
ASSEMBLY INSTRUCTION

ITEM#: 223109



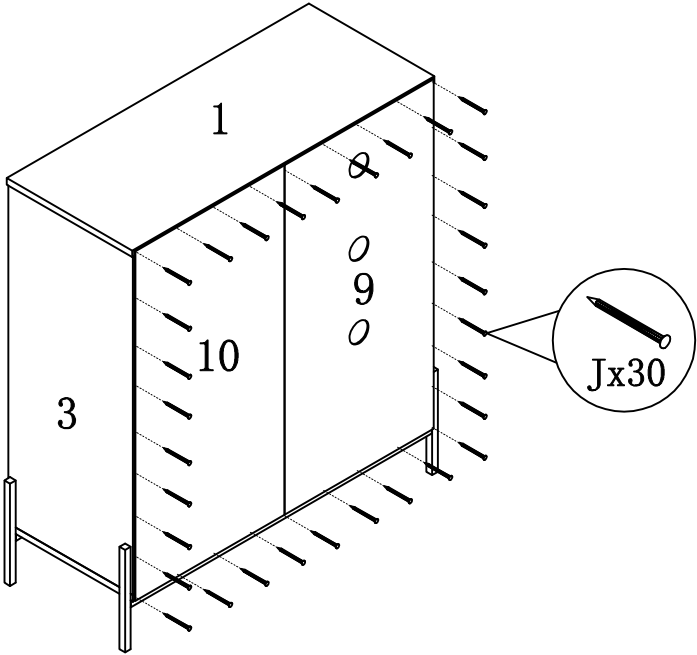
STEP5

STEP6



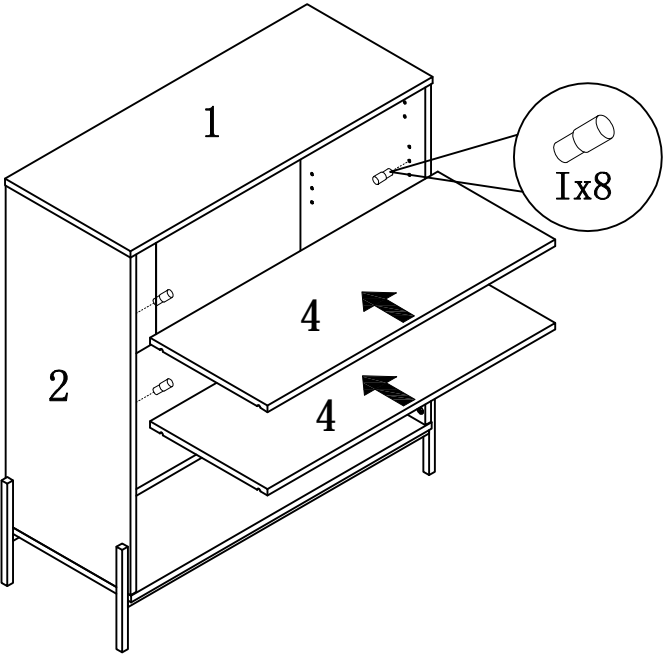
ASSEMBLY INSTRUCTION

ITEM#: 223109



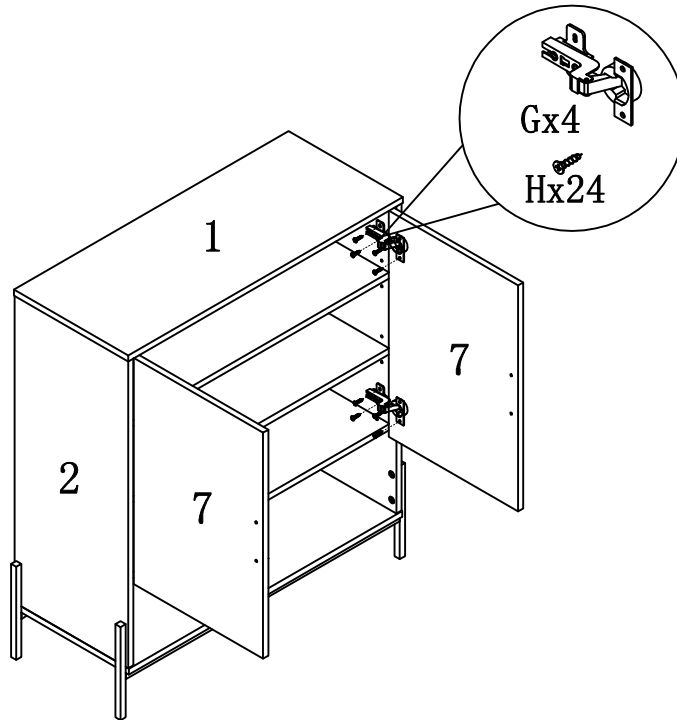
STEP7

STEP8

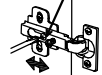


ASSEMBLY INSTRUCTION

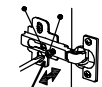
ITEM#: 223109



To adjust the door in or out, loosen this screw and push the door further in or push further out then retighten screws.



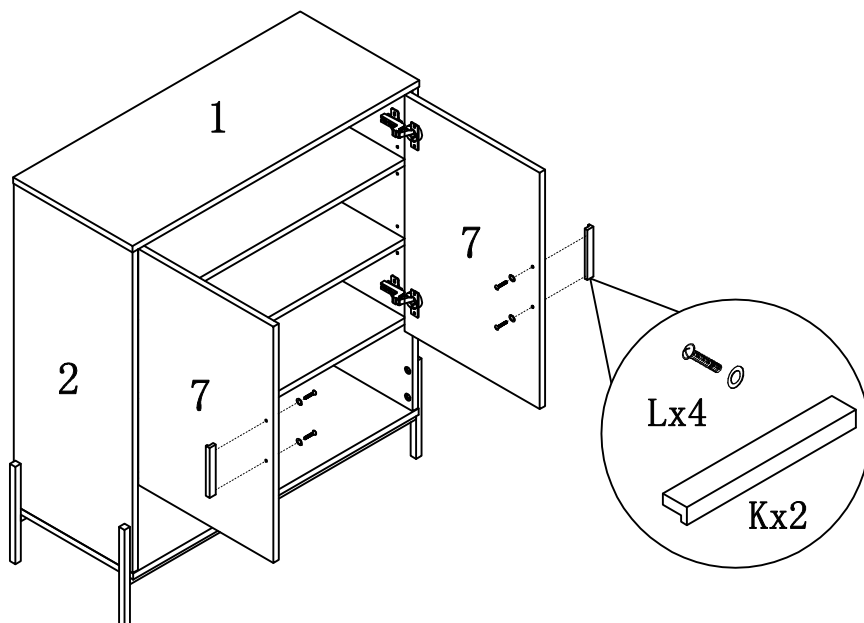
To adjust the door vertically, loosen the top and bottom screws, push the door up or down as necessary, then retighten screws.



To adjust the door left/right, turn this screw clockwise to move this corner of the door toward the frame, or counterclockwise to move door away from the frame.

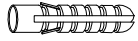
STEP 9

STEP 10

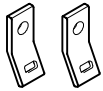


ANTI-TIPPING STRAP INSTRUCTION

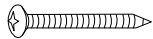
HARDWARE (INCLUDED) :



DRYWALL ANCHOR $\phi 8 \times 40$ X 1PC



METAL BRACKETS $12 \times 12 \times 1$ X 2PCS



DRYWALL SCREW $\phi 5 \times 40$ X 1PC

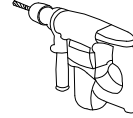


STRAP $197 \times 5 \times 1$ X 1PC



FLATHEAD SCREW $\phi 4 \times 25$ X 1PC

TOOLS NEEDED (NOT INCLUDED) :



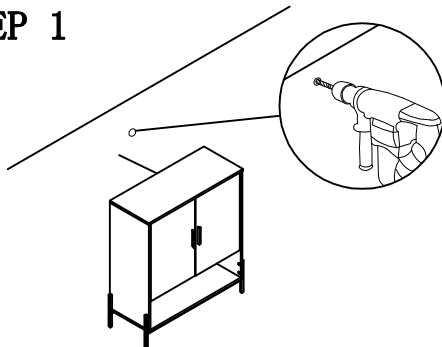
DRILL & DRILL BIT



LIGHT HAMMER

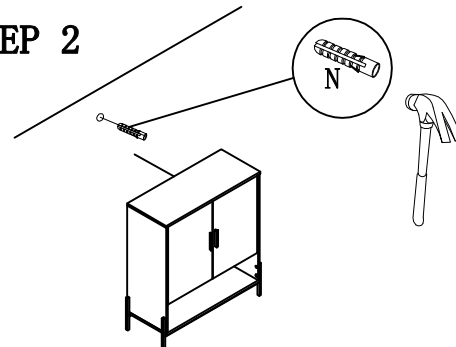
Note: Hardware included only compatible with standard drywalls.

STEP 1



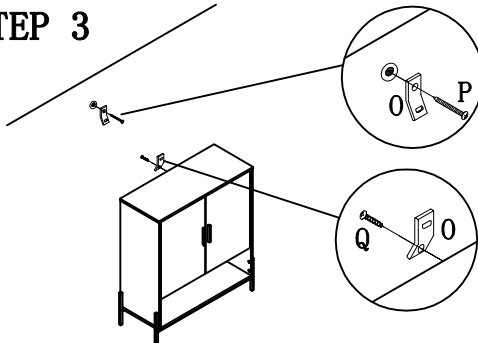
1. Find spot on wall 1" below top of item.
2. Using a drill bit slightly thinner than anchor, drill hole into drywall.

STEP 2



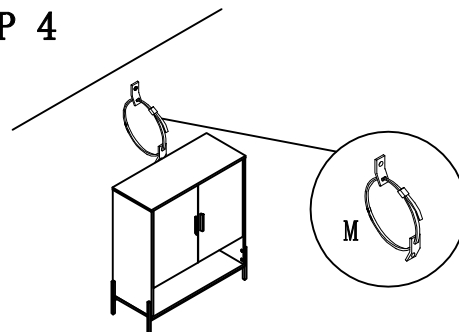
1. Use a light hammer to tap anchor into hole.
2. Anchor should fit snugly. If hole is too small, drill again to increase hole size. Do not force anchor into wall.

STEP 3



1. Insert drywall screw into metal bracket and into drywall anchor.
2. Insert flathead screw into second metal bracket and into back of item along top edge.

STEP 4



1. Insert strap thru bracket attached to wall, then thru bracket on item, and into head of strap.
 2. pull lightly til strap stops.
- Assembly is complete.