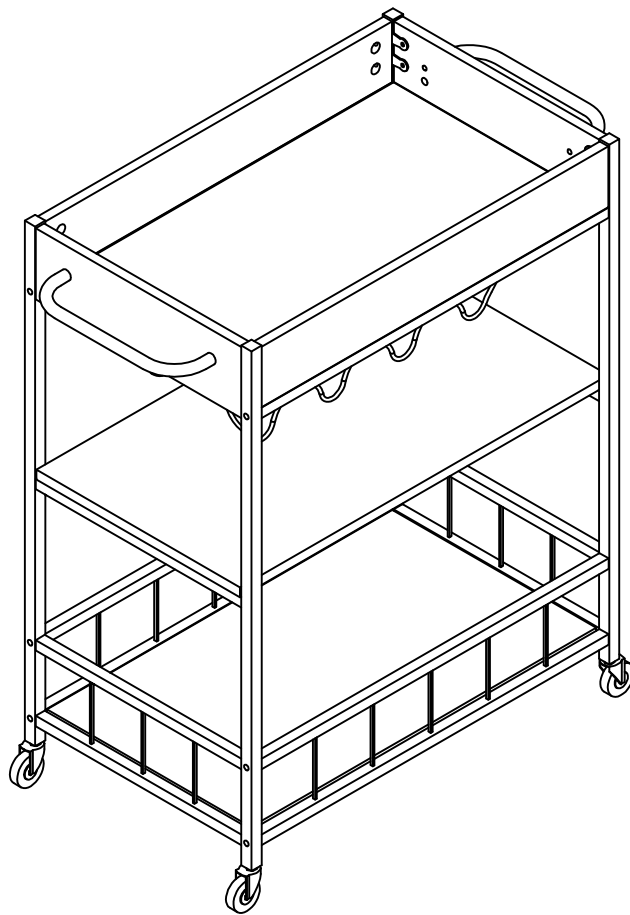


# ASSEMBLY INSTRUCTION

---

ITEM#:223087 223088 223089



# ASSEMBLY INSTRUCTION

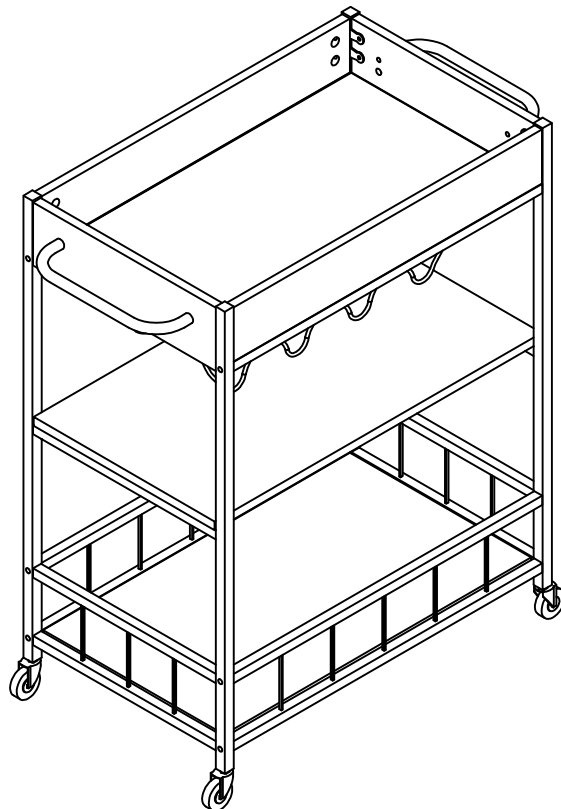
---

## PLEASE READ BEFORE ASSEMBLING!

Tip #1: Make sure you've taken all the pieces and hardware out of its packaging before discarding the box.

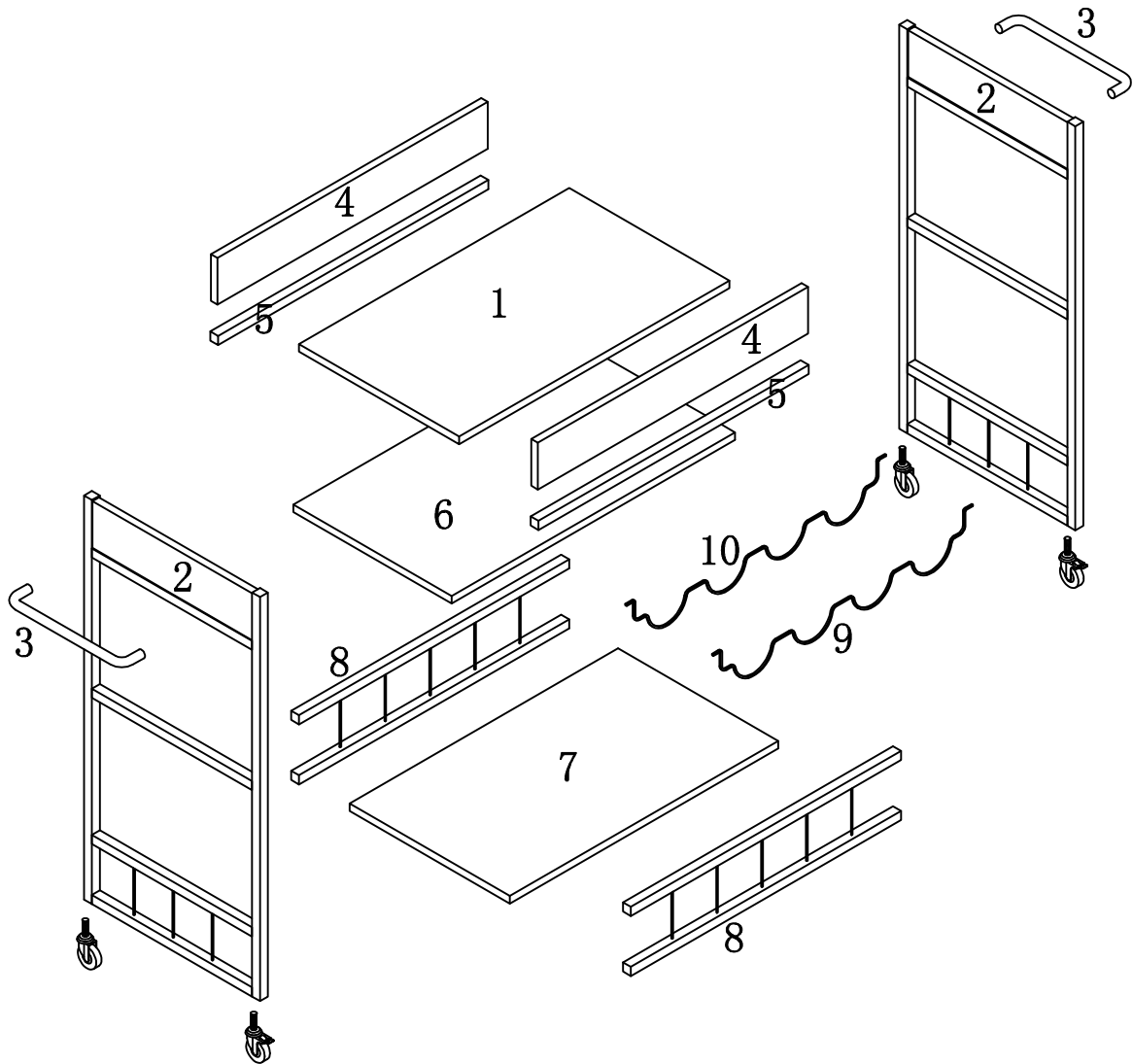
Tip #2: Using page 2 and/or page 3 of instruction manual make sure all pieces and hardware are accounted for.

**ITEM#:223087 223088 223089**



# PARTS IDENTIFICATION

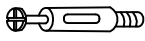



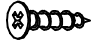
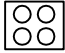



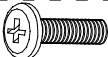
ITEM#:223087 223088 223089

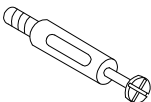

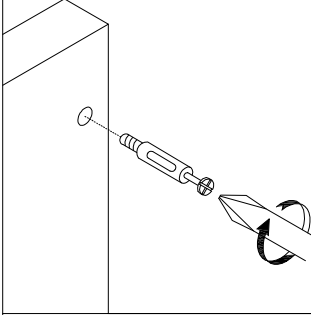
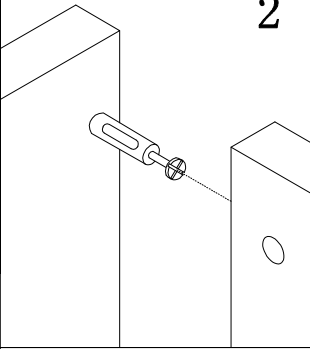
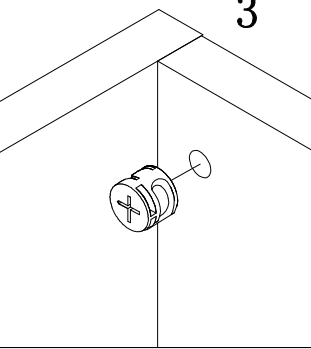
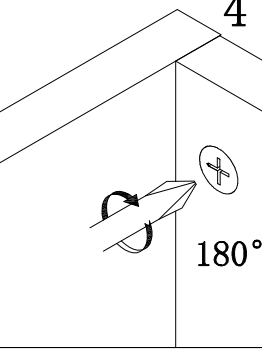


(1)	1pc	(8)	2pcs
(2)	2pcs	(9)	2pcs
(3)	2pcs	(10)	1pc
(4)	2pcs		
(5)	2pcs		
(6)	1pc		
(7)	1pc		

# HARDWARE IDENTIFICATION

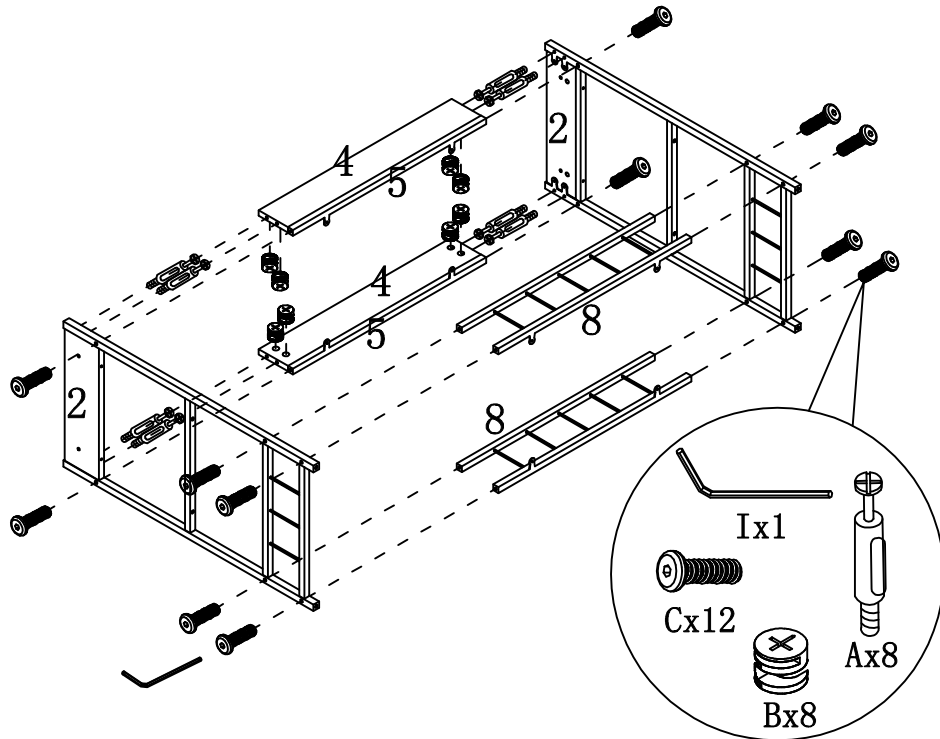
ITEM#:223087 223088 223089

A		L29	8PCS
B		Φ 15	8PCS
C		Φ 6x30	12PCS
D		Φ 6x25	8PCS
E		Φ 3.5x12	8PCS
F		ø20	8PCS
G		H65	2PCS
H		H65	2PCS
I		M4	1PC
J		Φ 6x12	4PCS

<p>HOW TO</p>  <p>Cam Bolt</p>  <p>Cam Lock</p>	1	2	3	4
	 <p>1. Screw Cam Bolt into panel.</p>	 <p>2. Insert Cam Bolt into bolt hole of joining panel.</p>	 <p>3. Insert Cam Lock. arrow facing bolt.</p>	 <p>4. Gently turn Cam Lock clockwise to lock position.</p>

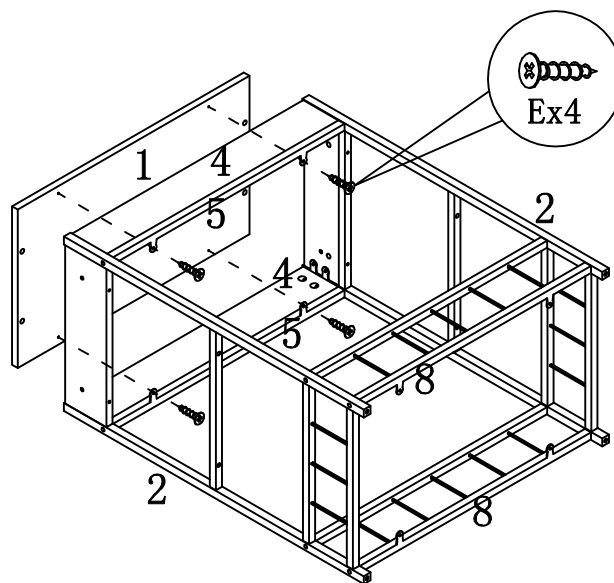
# HARDWARE IDENTIFICATION

ITEM#:223087 223088 223089



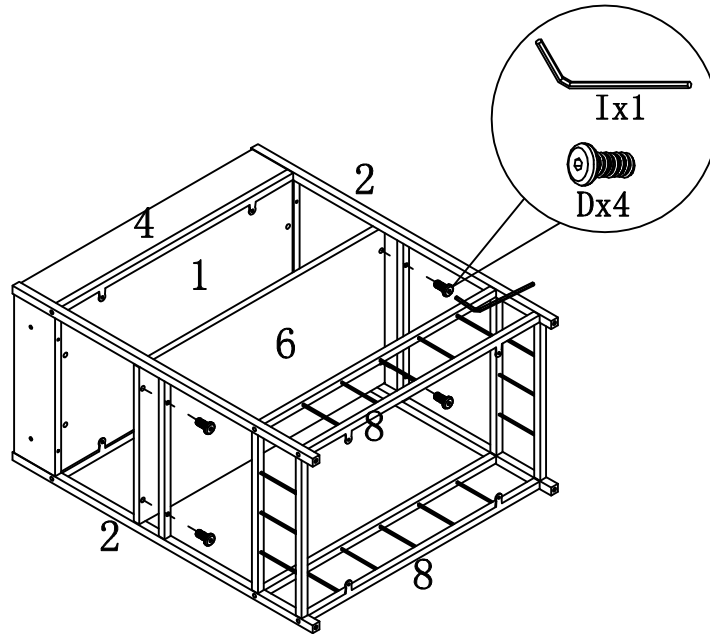
STEP1

STEP2



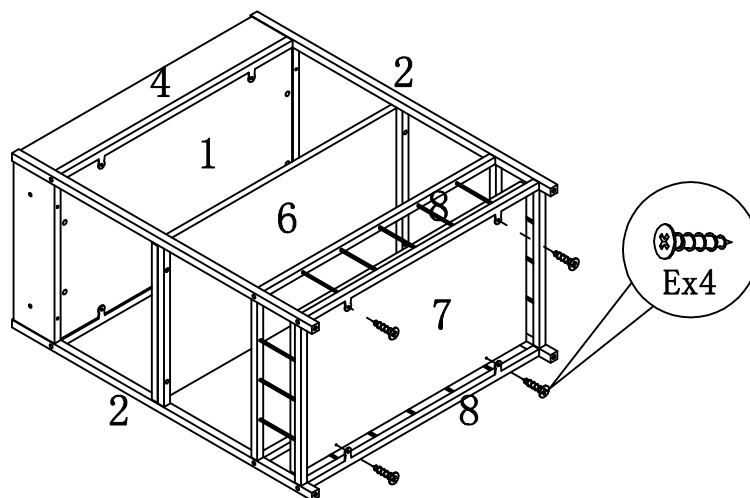
# HARDWARE IDENTIFICATION

ITEM#:223087 223088 223089



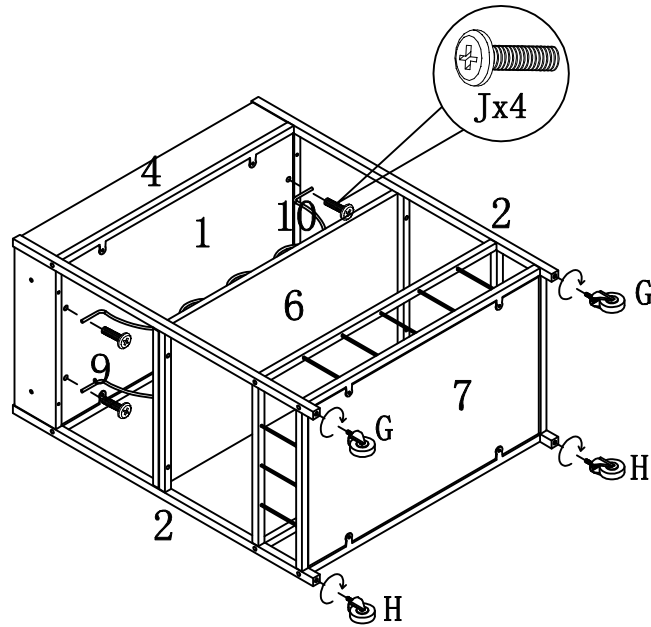
STEP3

STEP4



# HARDWARE IDENTIFICATION

ITEM#:223087 223088 223089



STEP5

STEP6

