
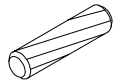
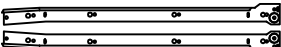
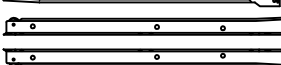

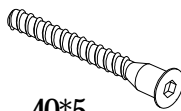
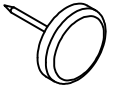
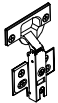

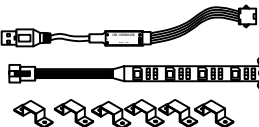


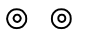

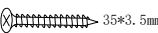

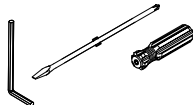
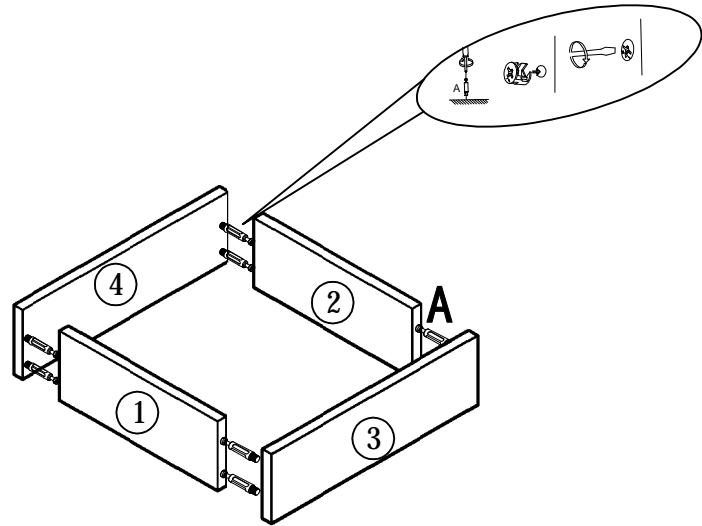


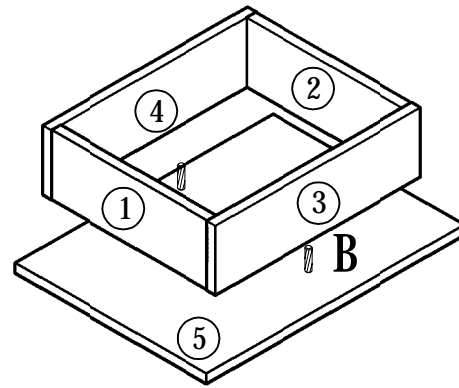
A 44pcs 	B 8pcs  $\varnothing 8*40\text{mm}$	C 3pcs C1  C2 	D 48pcs  $\varnothing 3.5*14\text{mm}$	E 20pcs  $40*5$	F 4pcs 	G 2pcs 
H 2pcs 	I 1pcs 	J 1pcs J1  J4  $14*3.5\text{mm}$ J2  J5  J3  $35*3.5\text{mm}$	K 20pcs  $\varnothing 20$	L 		

1



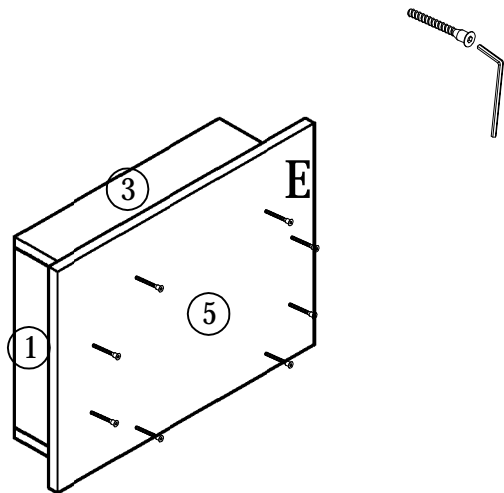
A*8

2



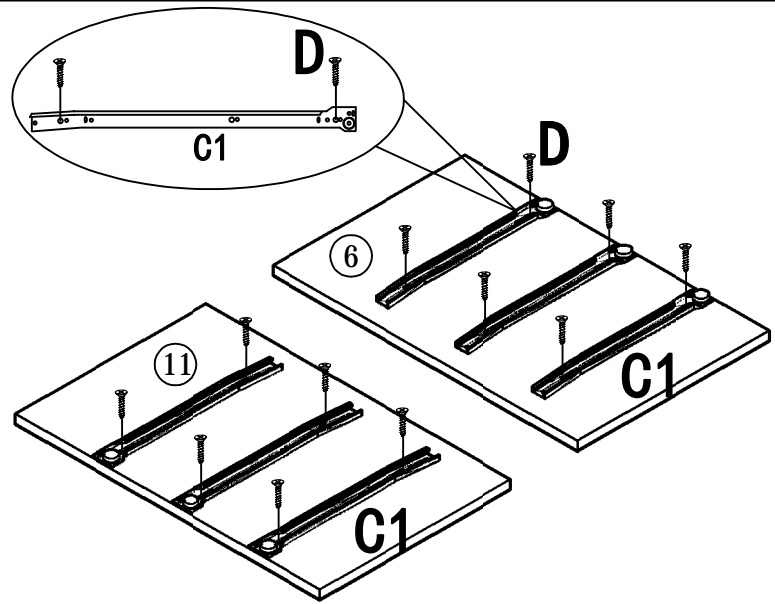
B*2

3



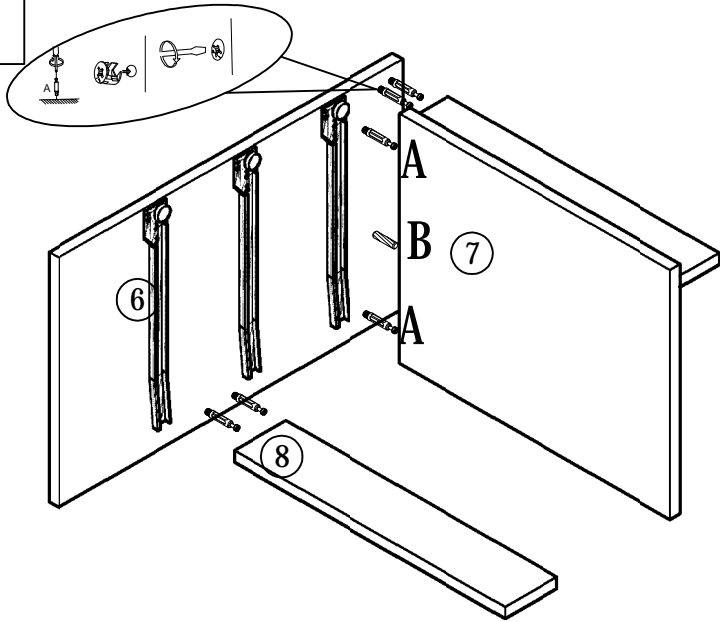
E*8

4



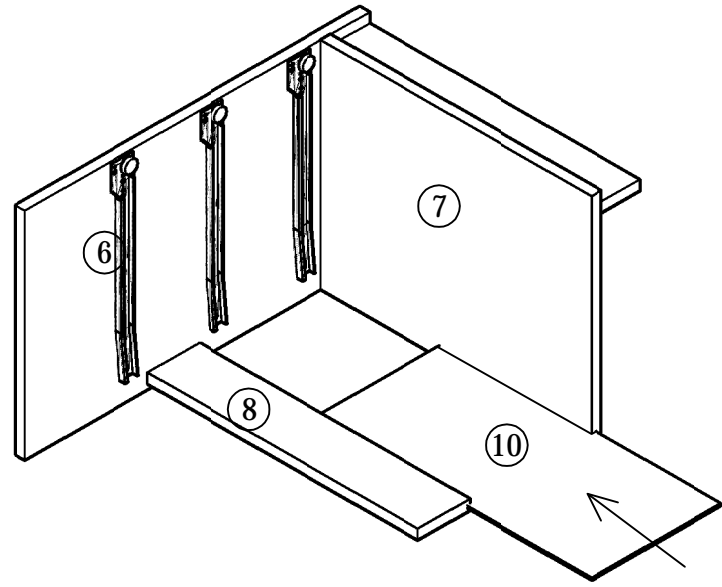
C1*6 D*12

5

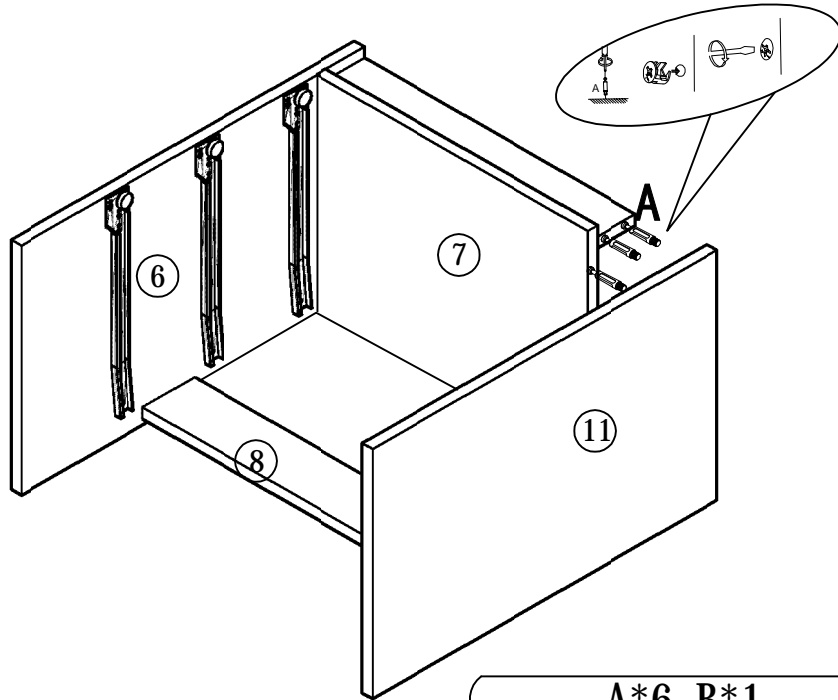


A*6 B*1

6

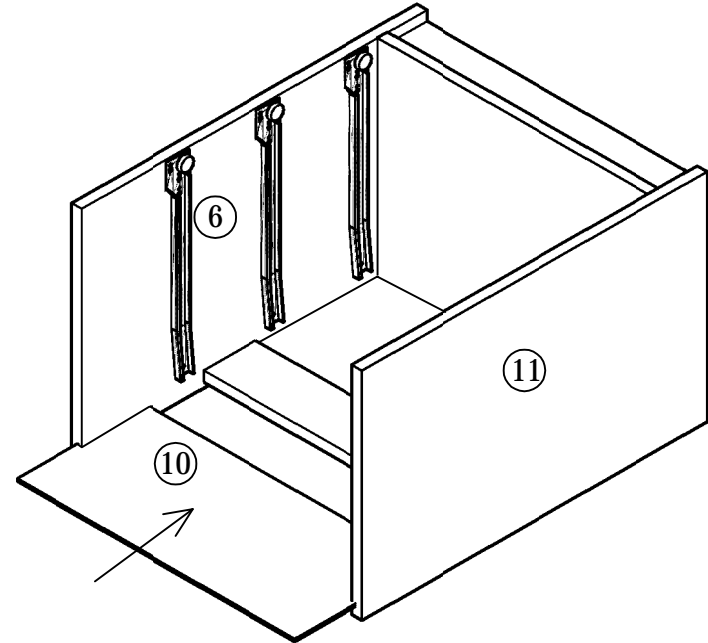


7

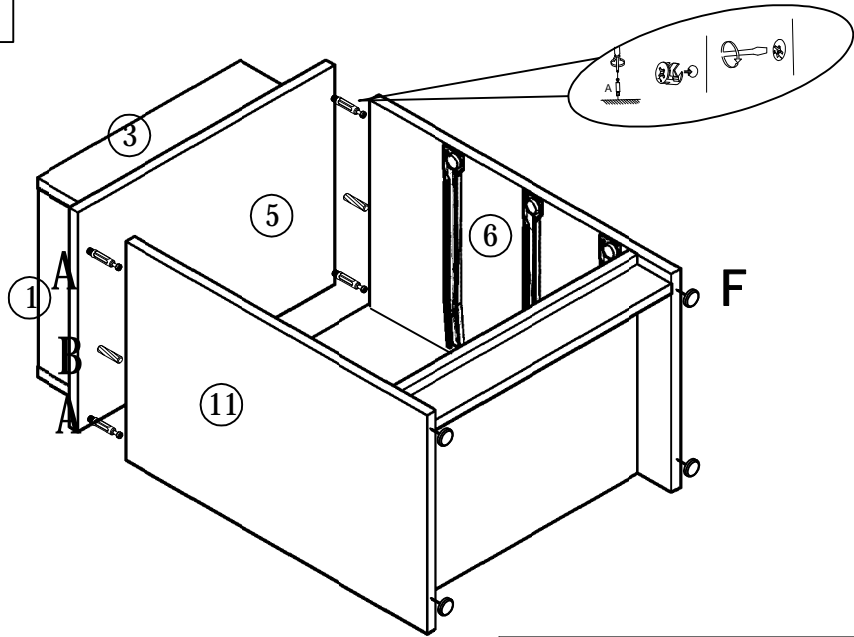


A*6 B*1

8

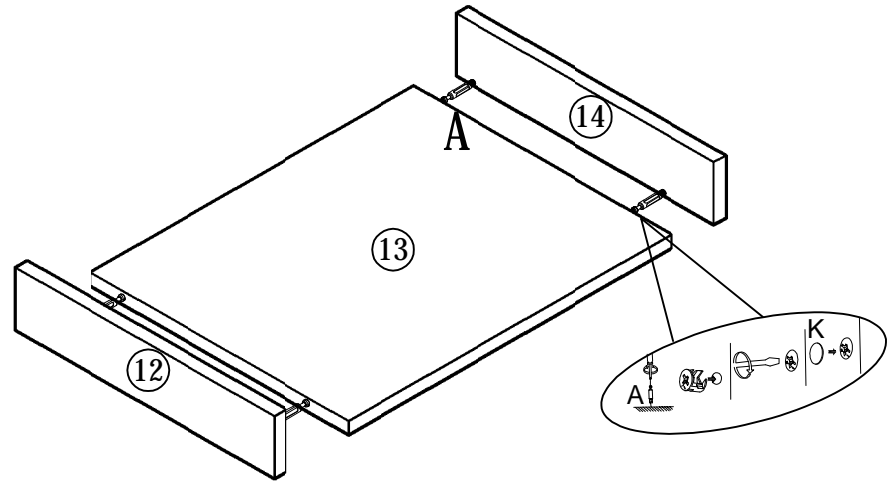


9



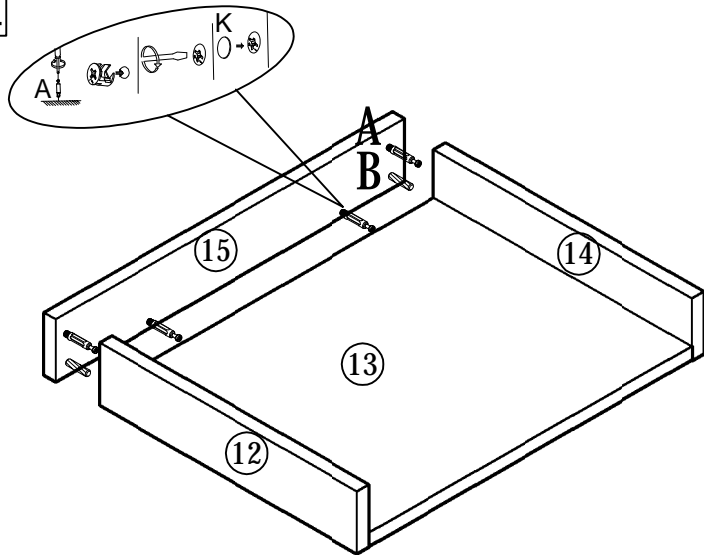
A*4 B*2 F*4

10



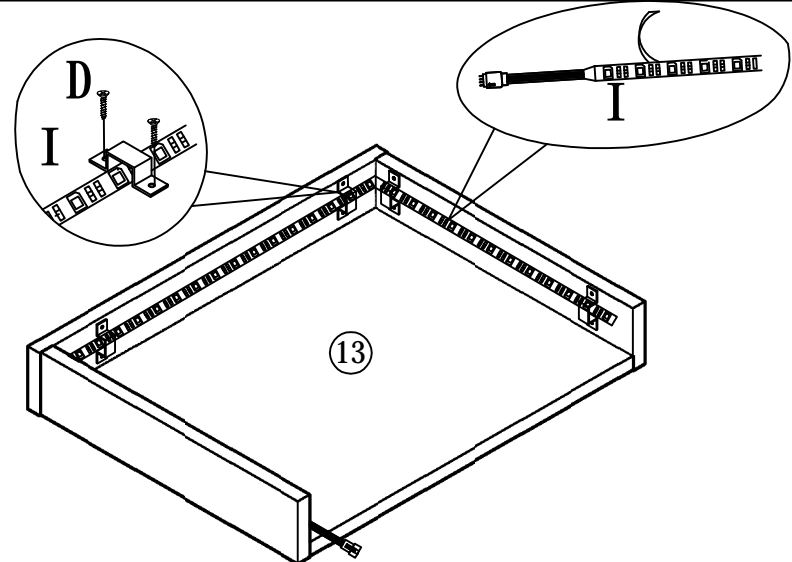
A*4 K*4

11



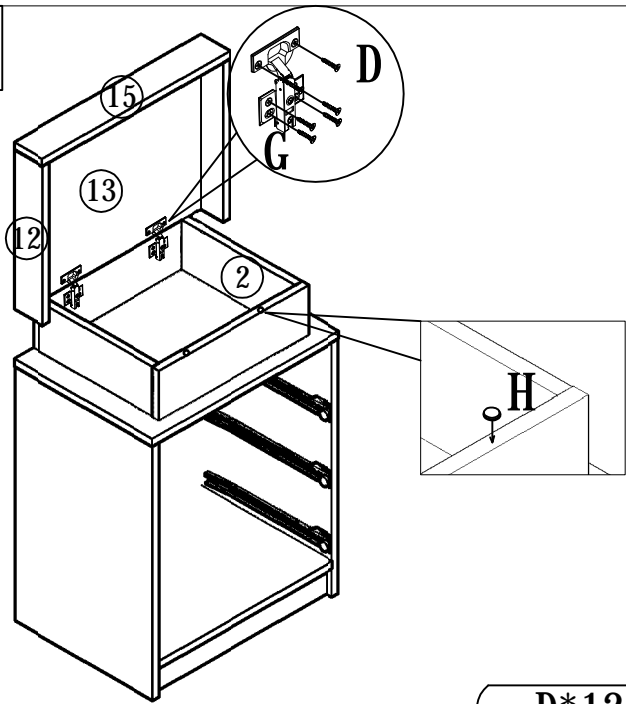
A*4 B*2 K*4

12



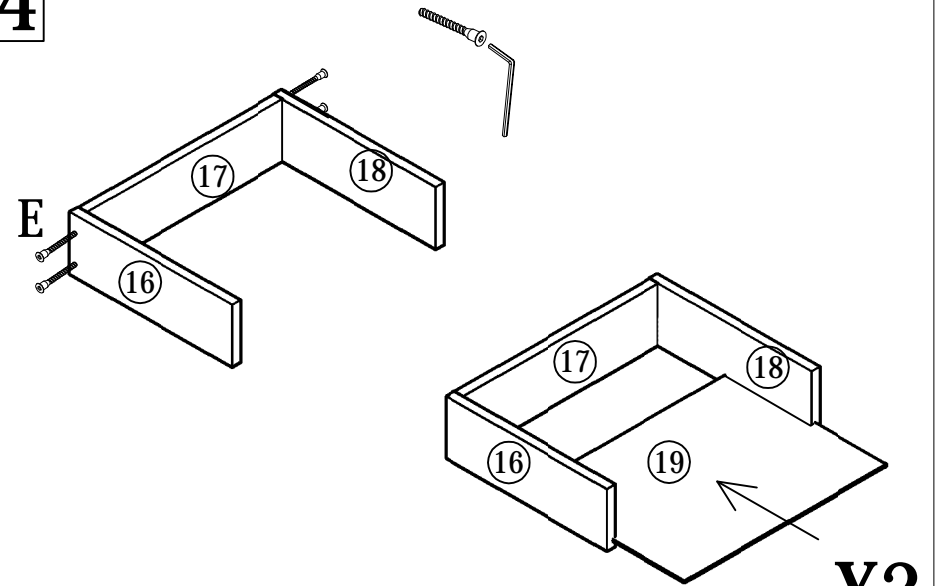
D*12 I*1

13



D*12 G*2 H*2

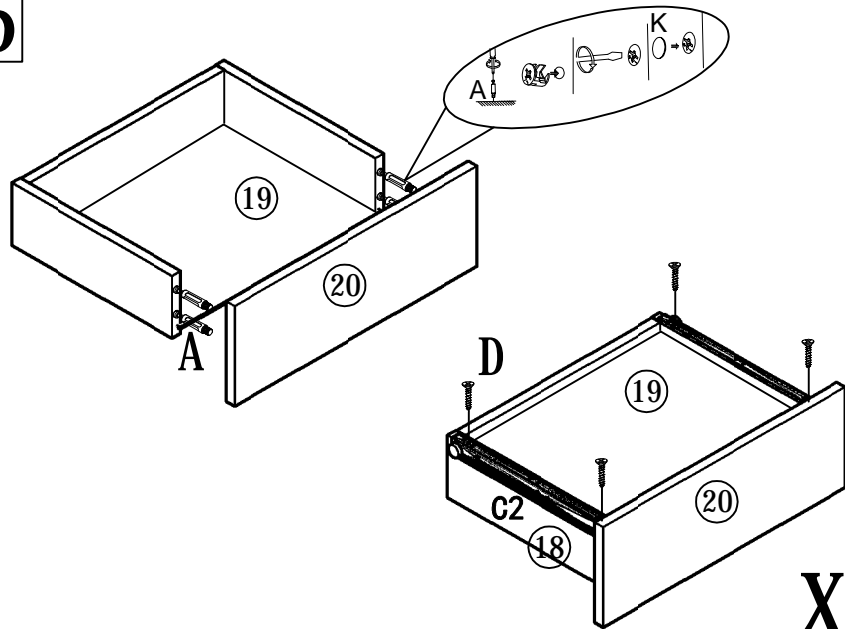
14



E*4

X3

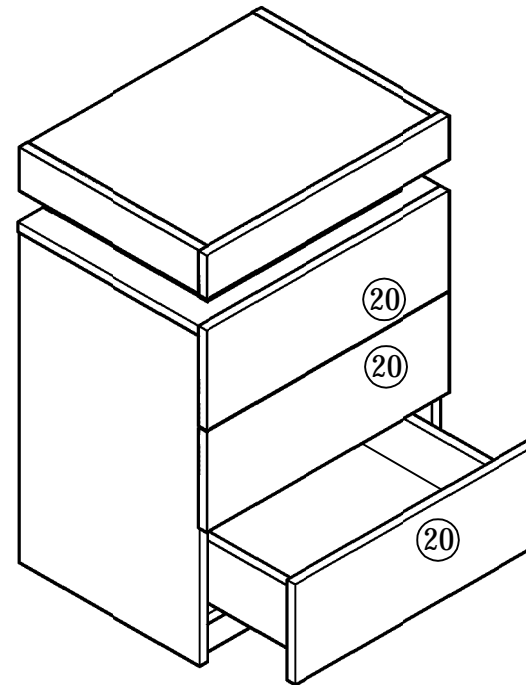
15



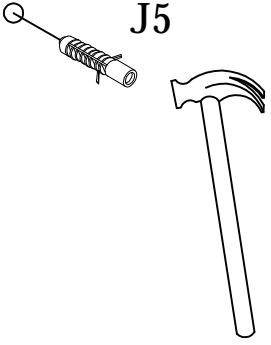
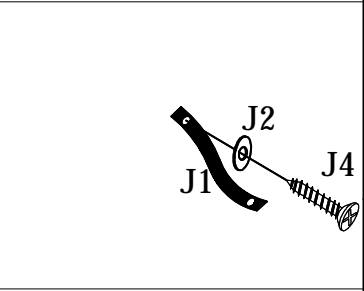
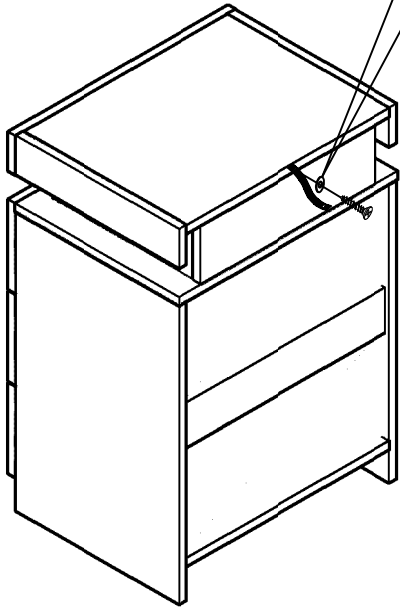
A*4 C2*2 D*4 K*4

X3

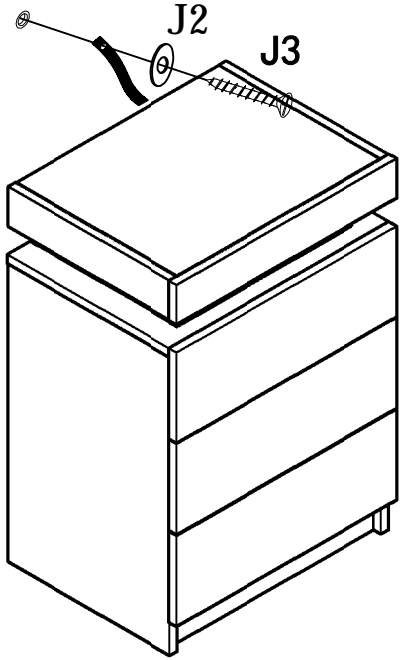
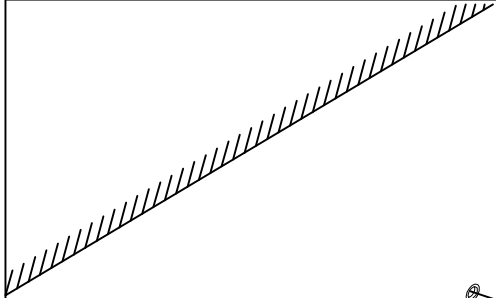
16

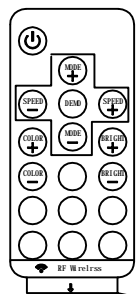
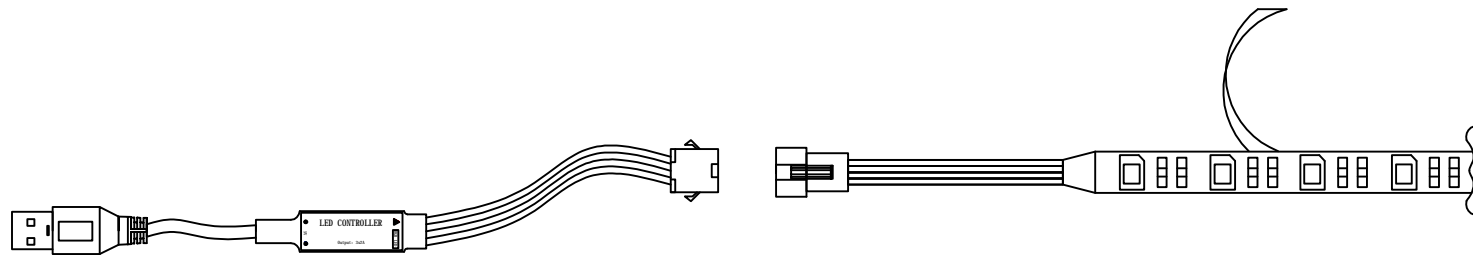


17



J*1





Pull out the plastic sheet before use .

