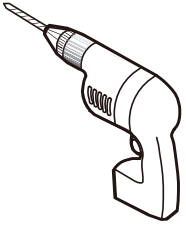


INSTALLATION MANUAL

HARDWARE AND TOOLS



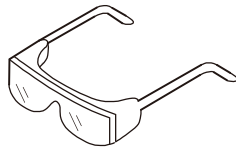
Power Drill



Mallet



Tape Measure



Safety Goggles



1/4" & 1/8" Drill Bits



Pencil



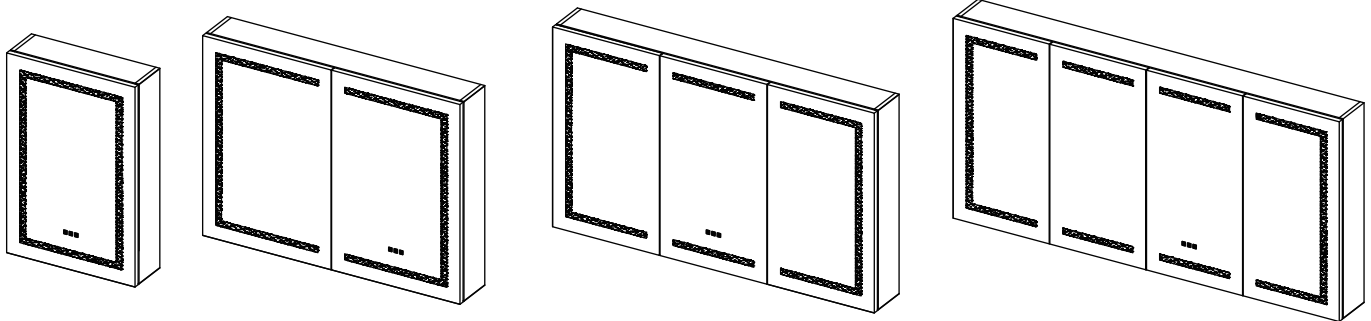
Level

HARDWARE LISTS

	IMAGE	NAME
1	A line drawing of a screw with a Phillips head and a threaded shaft.	Screw ST4*45
2	A line drawing of a wall anchor with a threaded end and a flared end.	Wall Anchor
3	A line drawing of a long, thin aluminum alloy plate with four pre-drilled holes.	Aluminum Alloy Plate

INSTALLATION INSTRUCTIONS

APPLY TO THE BELOW STYLE OF LED MEDICINE CABINET



Please read carefully and save these instructions

Don't discard any of the packaging until you are sure that you have all of the parts and the fittings
Make sure power to the junction box is off before commencing installation.

IMPORTANT

1. Unpack LED cabinet. DO NOT lay cabinet on tiled or concrete surface prior to installation
Cabinet must be on protected surface to prevent chipping of the corners
2. Care must be taken before drilling pilot holes to avoid any existing wiring or pipe work that may be concealed.
3. A certified electrician must perform all work. The mirror must be connected to a GFI

INSTALLATION

Please refer the installation diagram on installations manual.

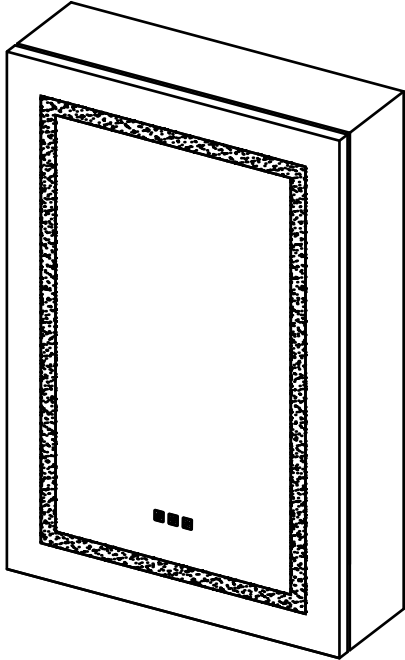
- 1) Unpack the LED medicine mirror and prepare tools needed.
- 2) Use the tape measure the height, and draw the horizontal. Measure the distance of the hole, and mark the hole place on the wall
- 3) Drill holes, and put in the plastic expansion bolt, then fix the aluminum bar by screws (See Pic.3&Pic.4);
- 4) Connect hardwire to power line. Make sure the power off (Voltage: AC110-12V, 50/60Hz)
- 5) Hang the cabinet on the wall; don't remove your hands until its safety.
- 6) Connect the lower end of wall with the cabinet body by using the coner brace.

MAINTENANCE

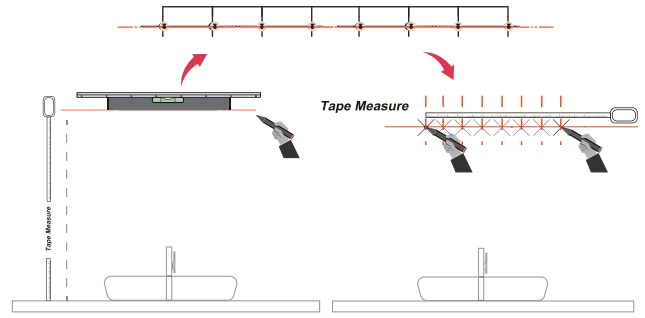
Wipe clean with a soft damp cloth. Apply glass cleaner to cloth and do not apply directly to mirror
Never use abrasive cleaners as these could damage the finish or exposed LEDstrip 2

INSTALLATION DIAGRAM

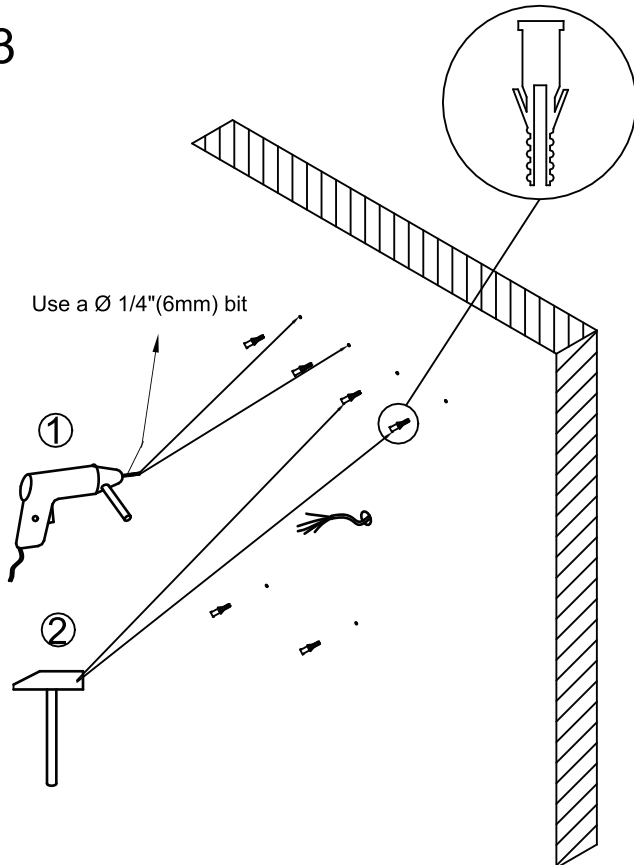
1



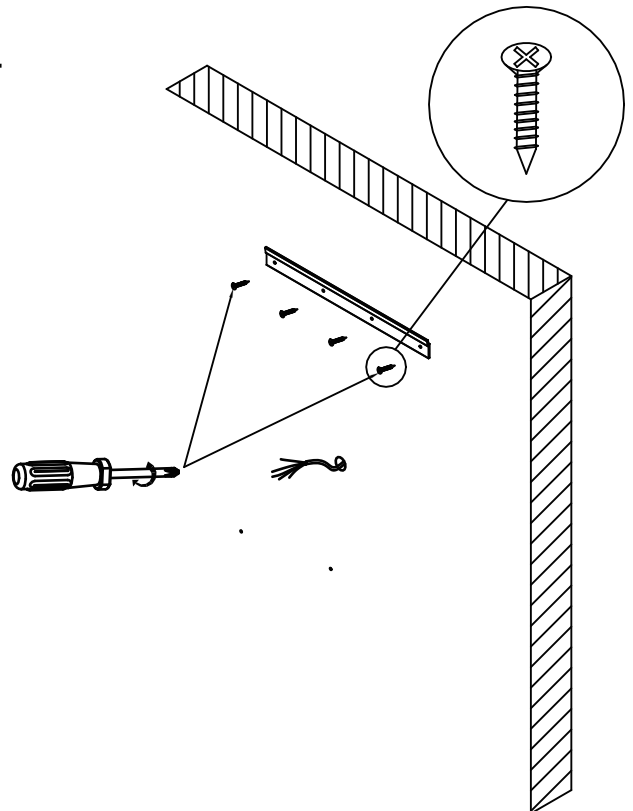
2



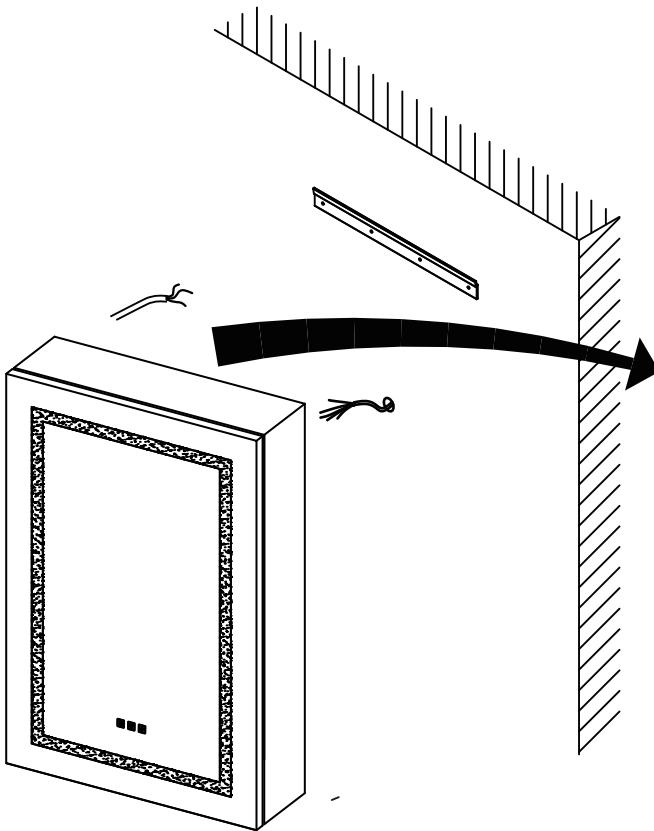
3



4

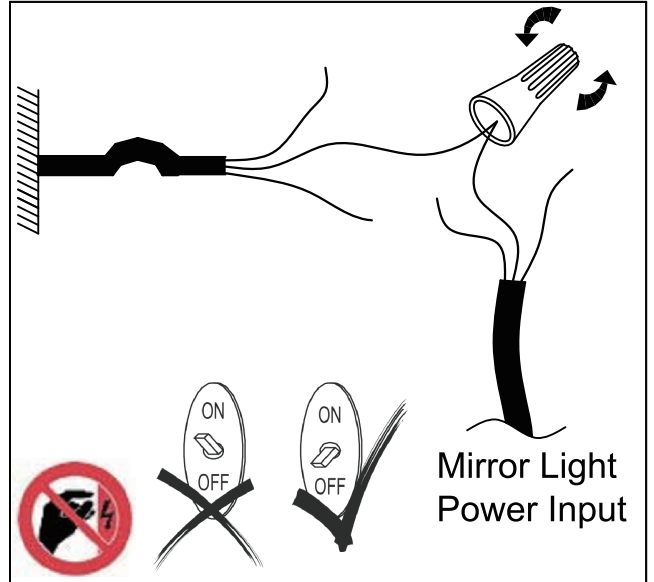


5

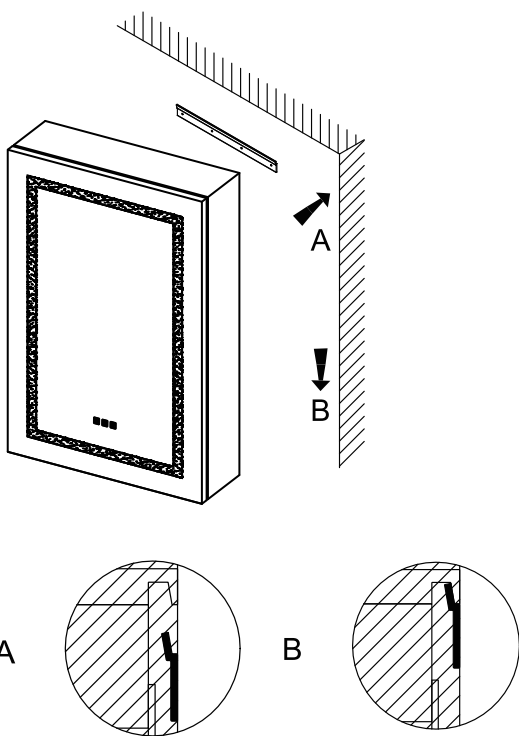


WIRING DETAILS

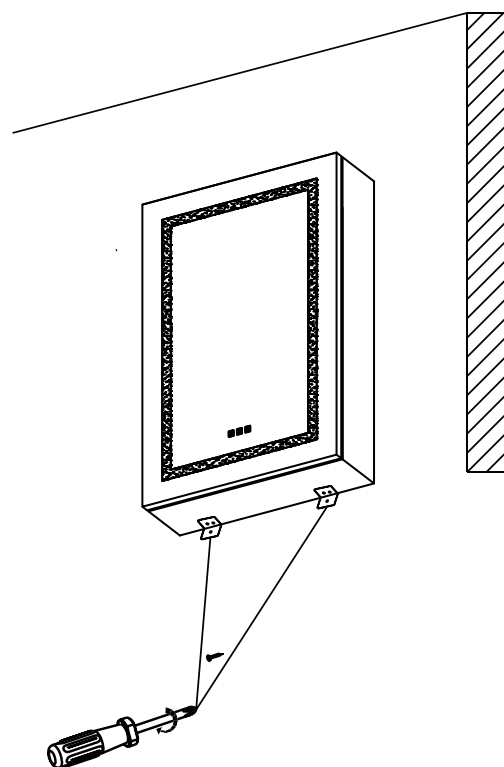
INCOMING SUPPLY		MIRROR WIRING
SWITCHED LIVE	— L —	BLACK or LABELED - L
EARTH (GREEN/YELLOW SLEEVED COPPER)	— ⊕ —	GREEN - E
NEUTRAL	— N —	WHITE or SMOOTH - N



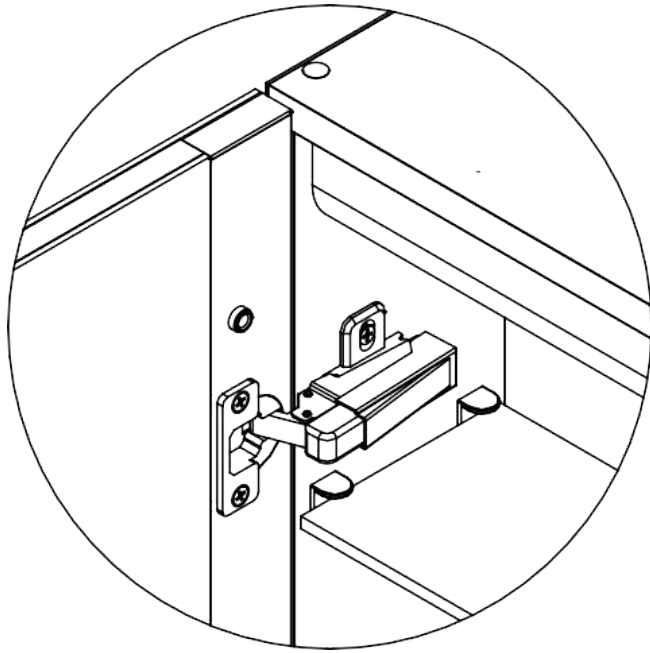
6



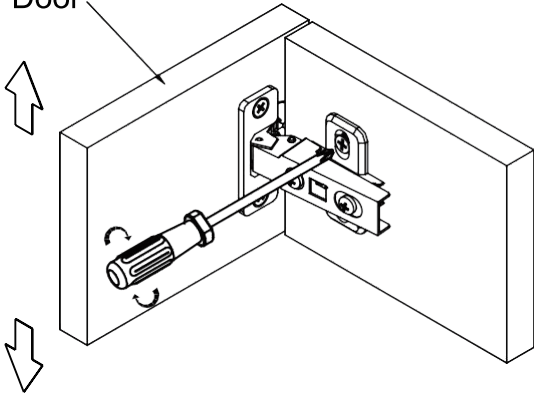
7



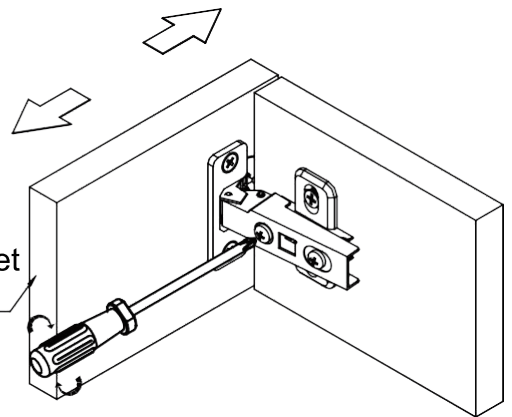
8



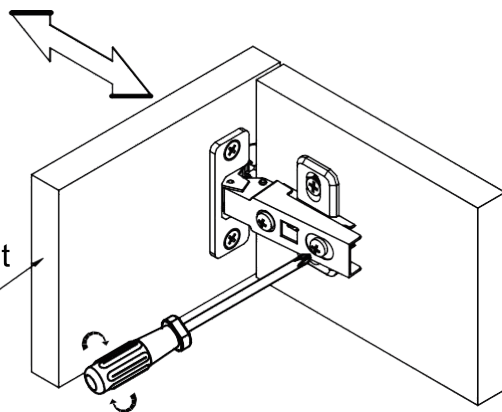
Mirror Cabinet Door



Mirror Cabinet Door



Mirror Cabinet Door



INTRODUCTION OF TOUCH FUNCTION



After power on, the button shows white and it is in waiting state, click to turn on the defogging function and the button turn on yellow. Click again to turn off the defogging function and the button to turn to white.



After power on, the button shows white and it is in waiting stage, click to turn on the light function and the button turn on yellow. Click again to turn off the light function and the button to turn to white. Long click the button to make the light gradually dims. Click the button again and the light gradually brightens.



After power on, the button shows white and it is in waiting state, click to turn on the light function and the white turn on yellow. Press to switch the color temperature of light by 3k-yellow, 4.5k-natural or 6k-cold white.

Note: All dimensions & specifications are approximate and subject to change without notice.