

IMPORTANT INFORMATION

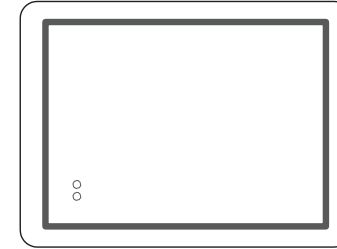
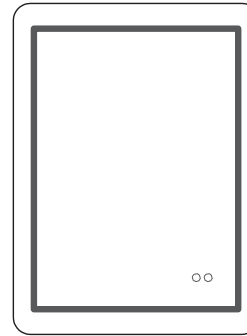
To avoid the risk of electrocution,
please turn OFF the electricity supply mains
before commencing the installation.

Do not stand the mirror upright on hard
surfaces whilst fitting as this will damage the edge.
Keep the plastic corner protectors on
until installation is fully completed.



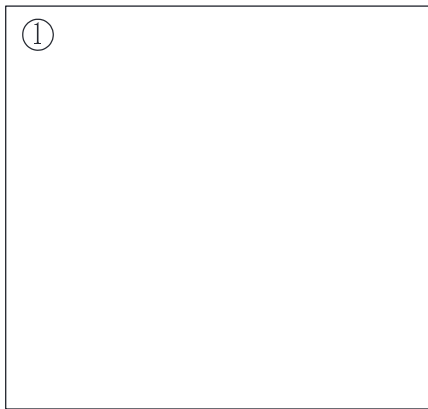
Tips:

The mirror can be Horizontally Mounted
or Vertically Mounted. **For Household Use /
Residential Use Only**

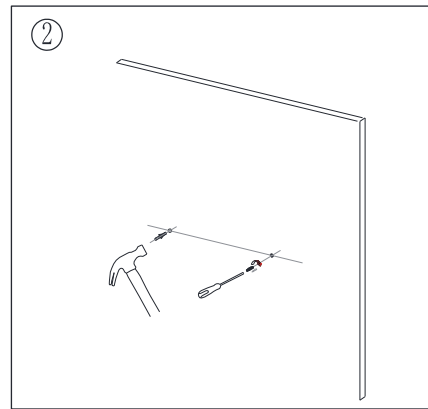


1. Installation

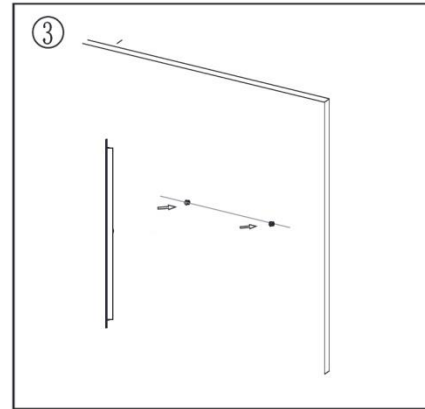
Note: Keep the plastic corner protectors on until installation is fully completed.



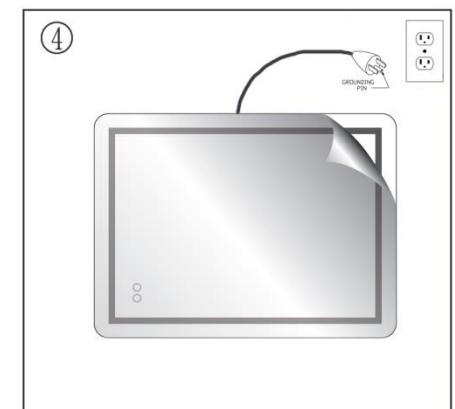
Measure the distance of the mounting
hole, Drill holes with a suitable sized
drill.



Insert the anchor and mounting screw
into the wall.



Hang the mounting hole to
the screw on the wall.



Connect the mirror wires with your
socket outlet, Peel off the protective film
and clean the mirror with a soft cloth.

2. Operation

The sensor button indicator is blue when it is OFF and will turn white when it is ON.

Lighting Color Adjust

Short touch the power button to adjust the lighting color.

It has three colors to select, natural light/warm yellow/white light



1. Short touch the power button to turn the light ON/OFF.

Short touch again to choose the light(natural light/warm yellow/white light).

2. Long touch the power button to dim the currently selected light



3. Anti-fog Function On/Off

Touch this button in order to turn the defogger ON/OFF

3. User-Maintenance

- (1) Before cleaning the mirror lamp, disconnect the power supply, use a soft dry cloth to wipe, pour the edible vinegar into the water first, and then soak the dry cloth in it for a while, and then wring dry wipe mirror lamp.
- (2) When the furnishing is not in use, need used Velcro to tie the power cord and store. When the furnishing is in use, Pull the power cord along the wall towards the socket.

4. Grounding and Double Instruction

- (1) This product is for use on a circuit having a nominal rating more than 120 volts and is factory-equipped with specific electric plug to permit connection to a proper electric circuit. Make sure that the product is connected to an outlet having the same configuration as the plug. No adapter should be used with this product.
- (2) This product must be connected to a grounded metal, permanent wiring system, or an equipment-grounding conductor must be run with the circuit conductors and connected to the equipment-grounding terminal or lead on the product.

5. Technical specifications

Model name:	SDC018
Input:	120V~ 60Hz
Whole power:	190W
Size:	L1830×W1830×H40mm
Used location	Damp location

7. IMPORTANT SAFETY INSTRUCTIONS

When using an electrical appliances, basic precautions should always be followed, including the following:

DANGER - To reduce the risk of electric shock:

1. Always unplug this furnishing from the electrical outlet before cleaning or servicing.

WARNING -To reduce the risk of burns, fire, electric shock, or injury to persons:

1. Unplug from outlet before putting on or taking off parts.
2. Close supervision is necessary when this furnishing is used by, or near children, invalids, or disabled persons.
3. Use this product only for its intended use as described in these instructions. Do not use

attachments not recommended by the manufacturer.

4. Never operate this product if it has a damaged cord or plug, if it is not working properly, if it has been dropped or damaged, or dropped into water. Return the product to a service center for examination and repair.
5. Keep the cord away from heated surfaces.
6. Never operate the furnishing with the air openings blocked. Keep the air openings free of lint, hair, and the like.
7. Never drop or insert any object into any opening.
8. Do not use outdoors.
9. Do not operate where aerosol (spray) products are being used or where oxygen is being administered.
10. To disconnect, turn all controls to the off position, then remove power from supply.
11. WARNING: Risk of Electric Shock - Connect this furnishing to a properly grounded outlet only. See Grounding Instructions.

SAVE THESE INSTRUCTIONS

8. Marks of product

 Intertek 5024128 CONFORMS TO UL STD. 962 CERTIFIED TO CSA STD. C22.2 NO. 250.0	THNIKRE INC Model: SDC018 Rated: 120Vac, 60Hz, 190W For Household / Residential Use Only Pour Usage Domestique / Résidentiel Uniquement SUITABLE FOR DAMP LOCATIONS CONVIENT AUX EMPLACEMENTS HUMIDES WALL MOUNT ONLY INSTALLATION MURALE SEULEMENT YYMMDD
--------------------------------------------------------------------------------------------------------------------------------------------------------------------------------------------	---------------------------------------------------------------------------------------------------------------------------------------------------------------------------------------------------------------------------------------------------------------------------------------

Manufacturer: THNIKRE INC.

Address: S 5142 N ACADEMY BLVD UNIT 1040 COLORADO SPRINGS 80918
CO

2022-08-15