

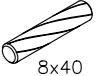
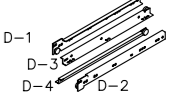




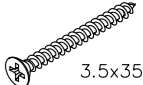

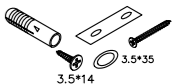

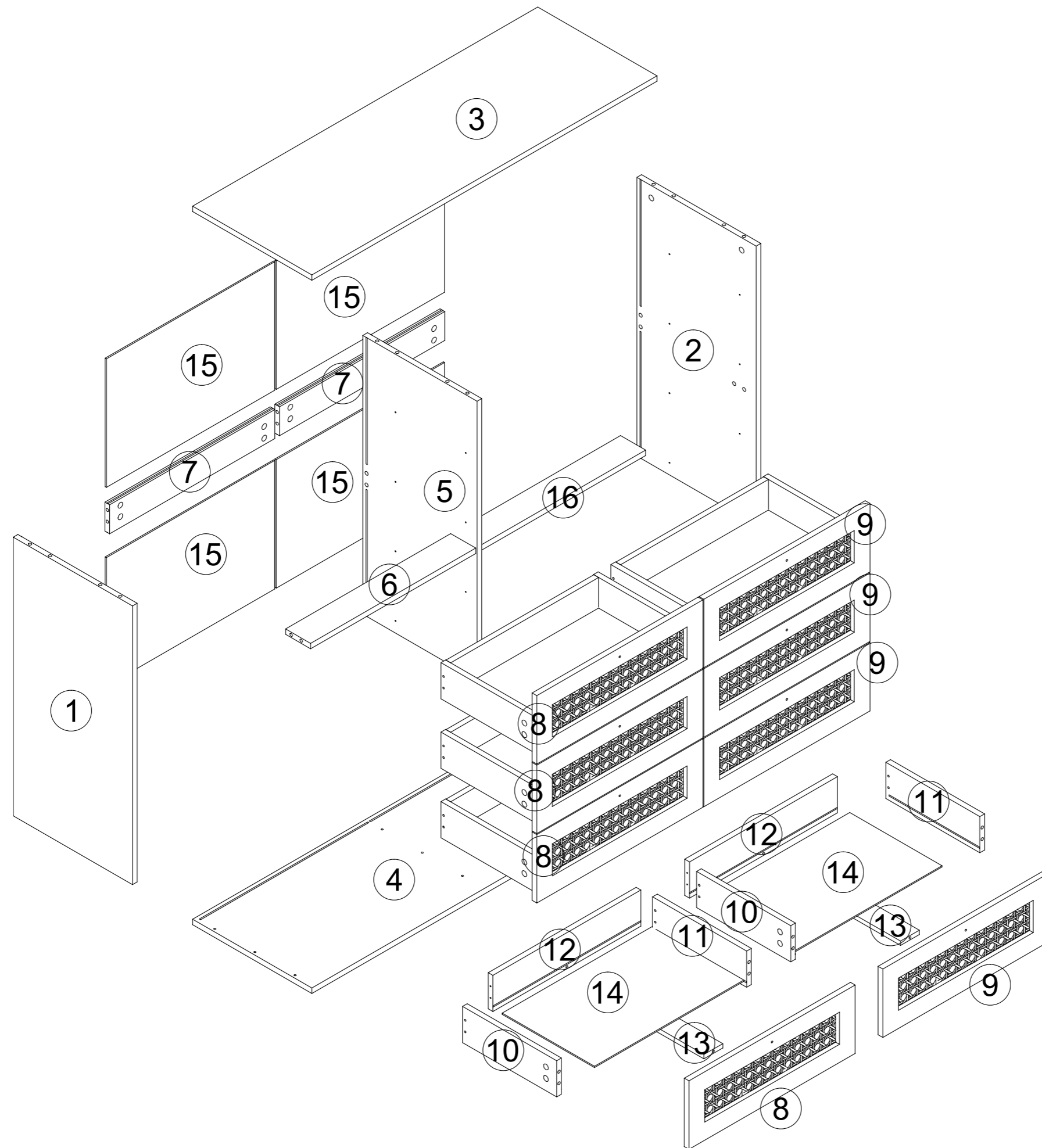
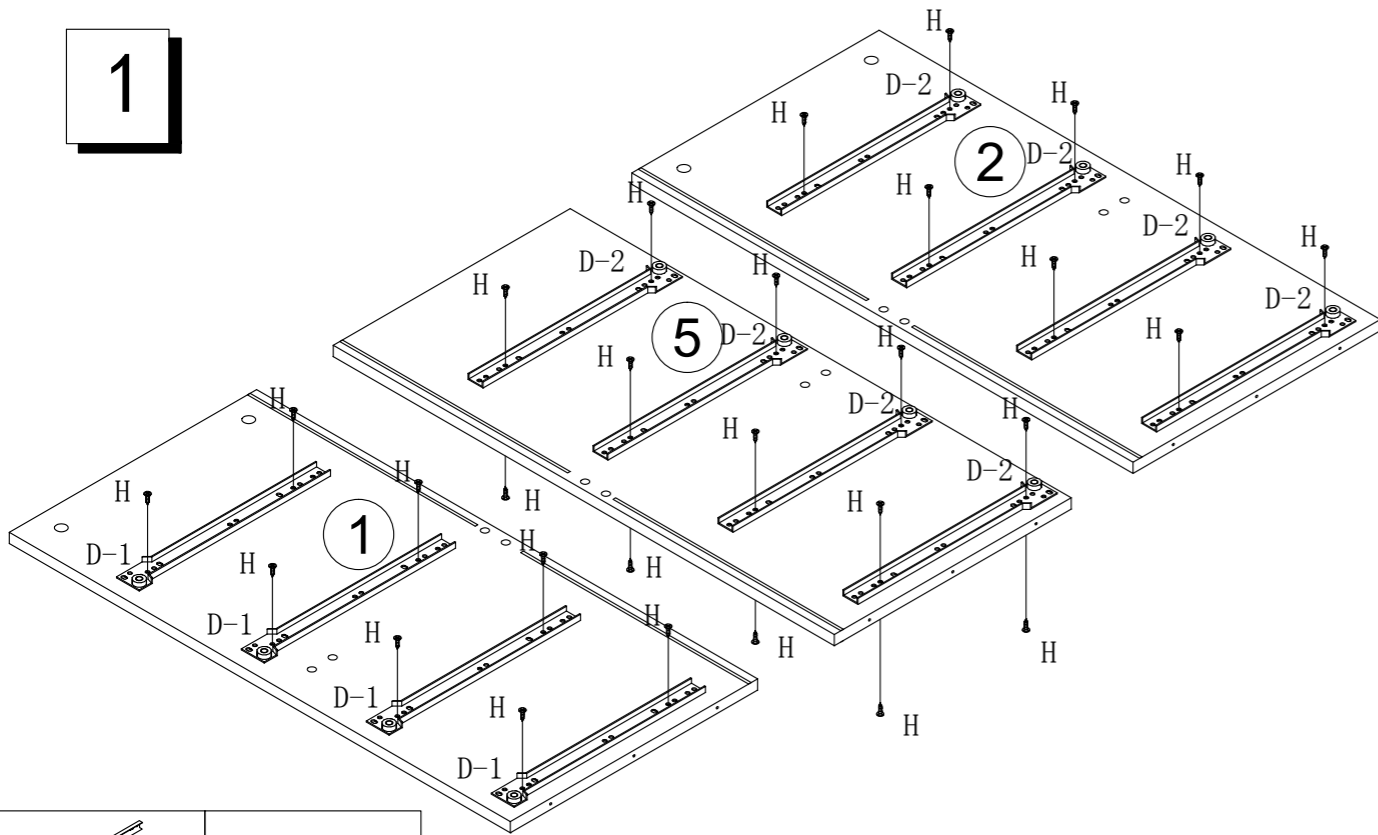




NO.	LINEDRAWING
A×54	
B×54	
C×6	 8x40
D×8	 D-1 D-2 D-3 D-4
E×8	
F×8	
G×5	
H×116	 3.5x14
I×41	 3.5x35
J×16	
K×2	 3.5*14 3.5*35
L×16	 6x30



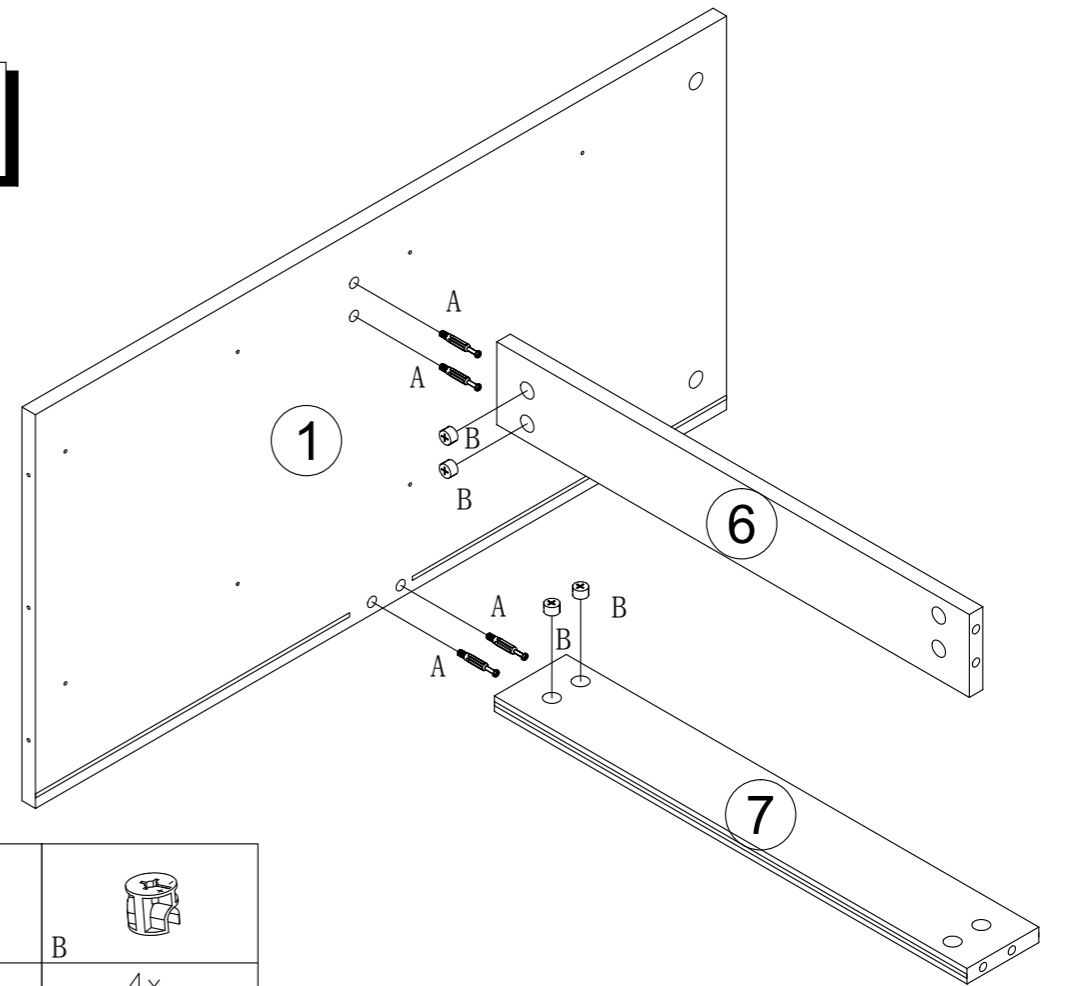
NO.	QTY.
①	1
②	1
③	1
④	1
⑤	1
⑥	2
⑦	2
⑧	4
⑨	4
⑩	8
⑪	8
⑫	8
⑬	8
⑭	8
⑮	4



1



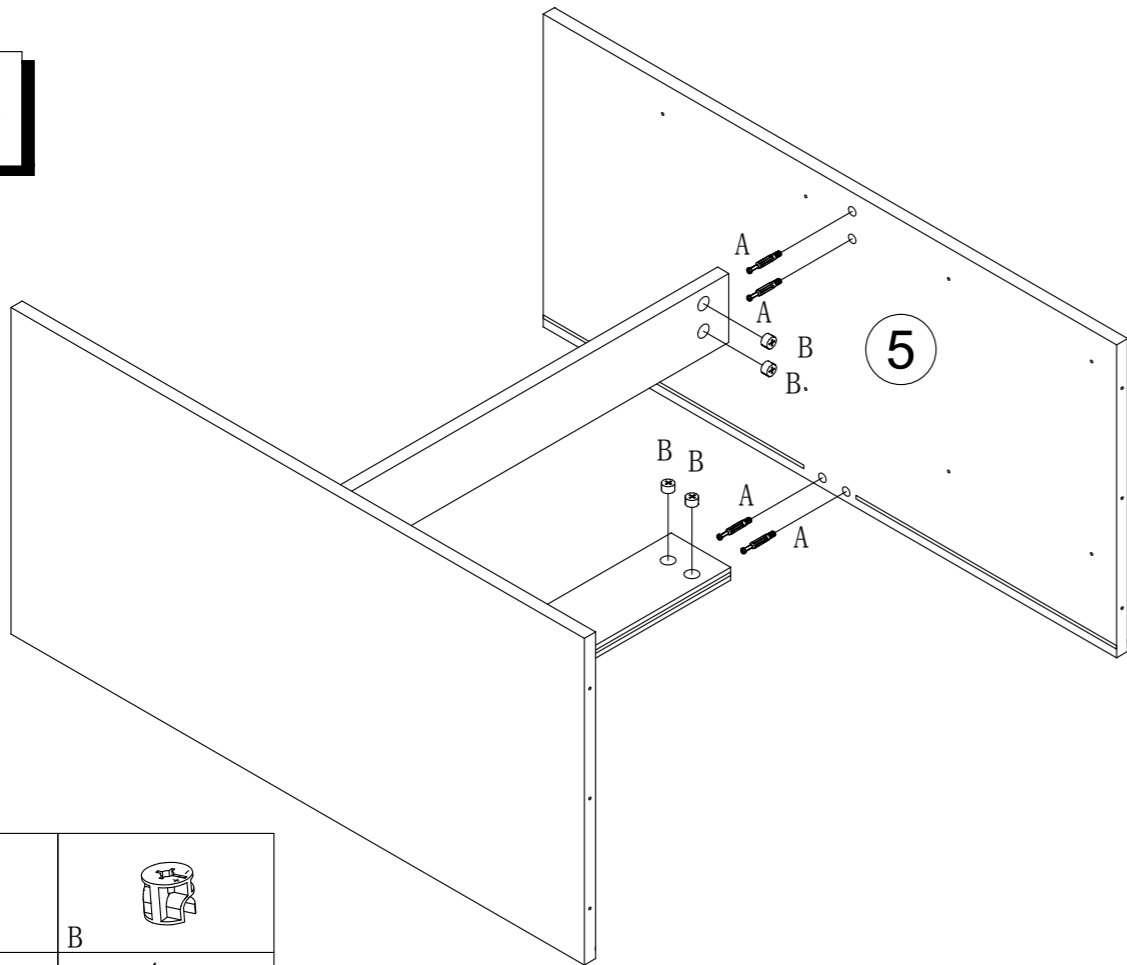
	
D D-2	3.5x14
8x	32x



2



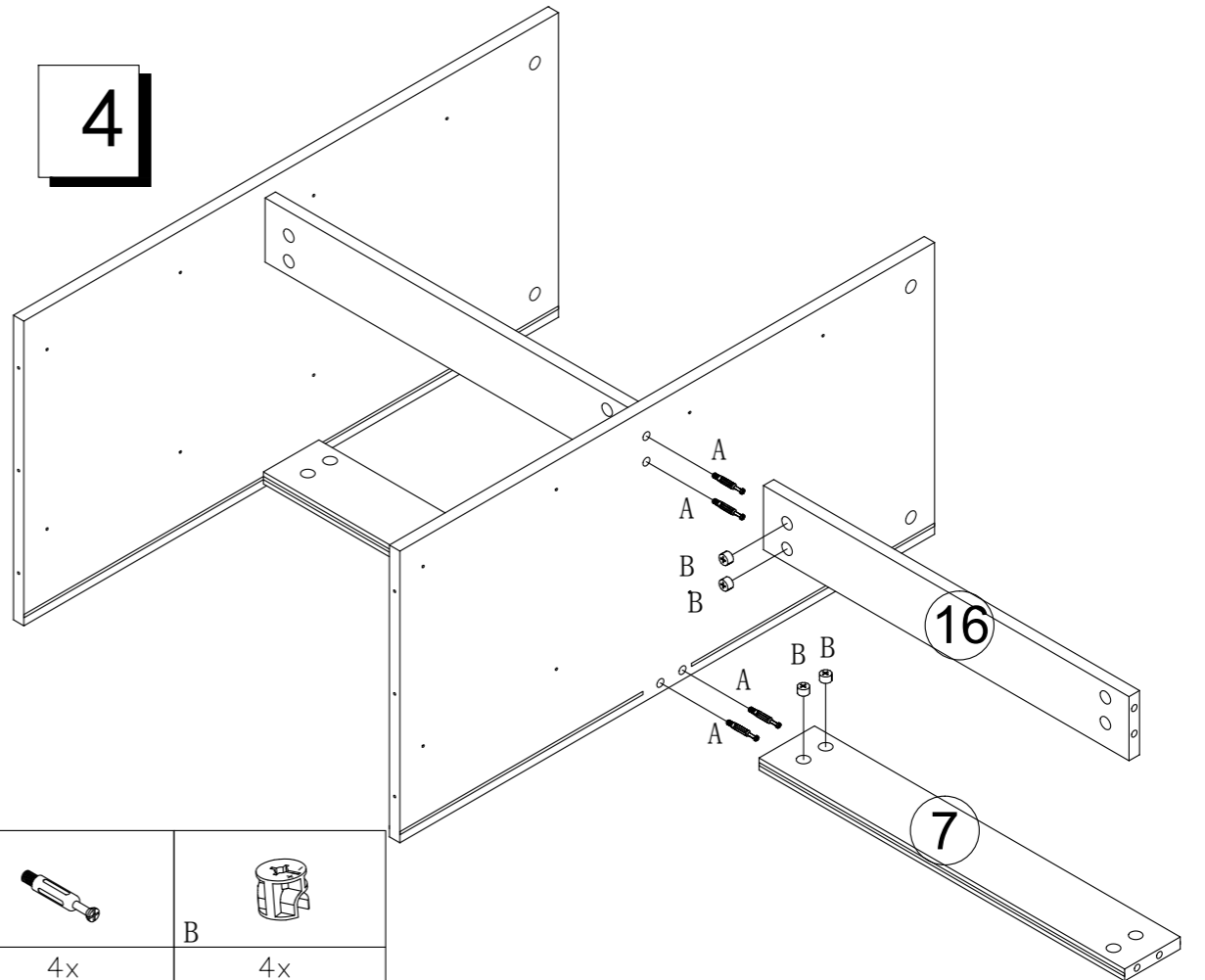
	
A	B
4x	4x



3



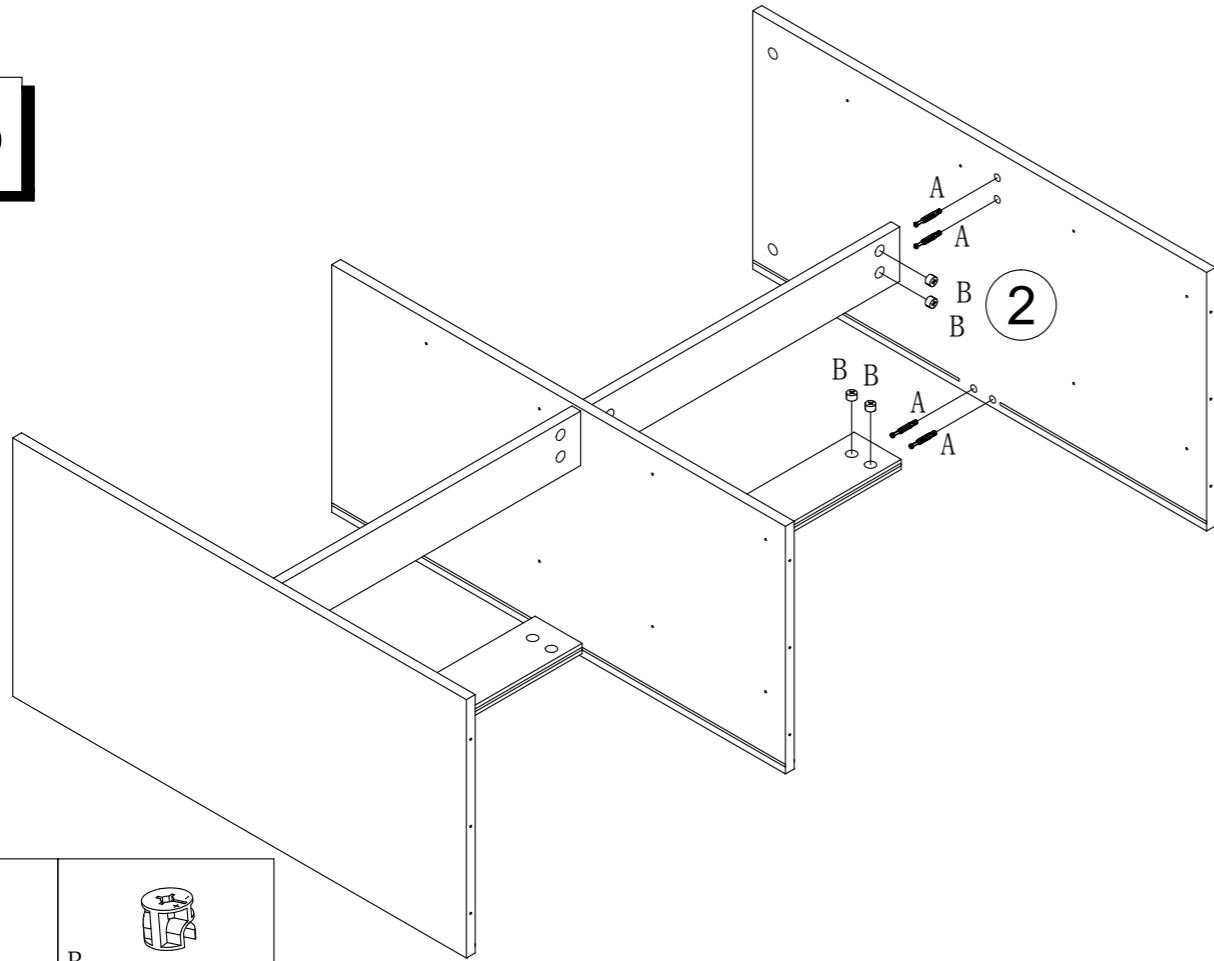
	
A	B
4x	4x

4



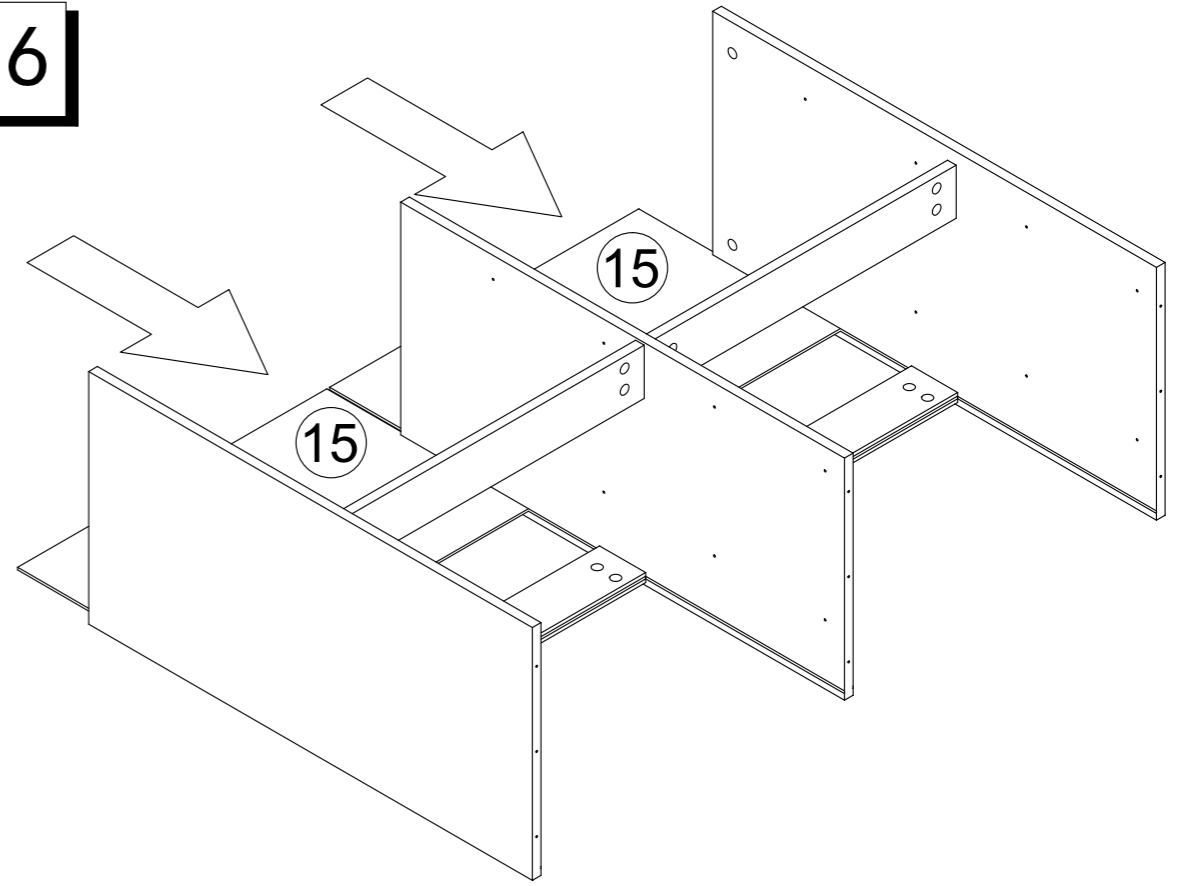
	
A	B
4x	4x

5

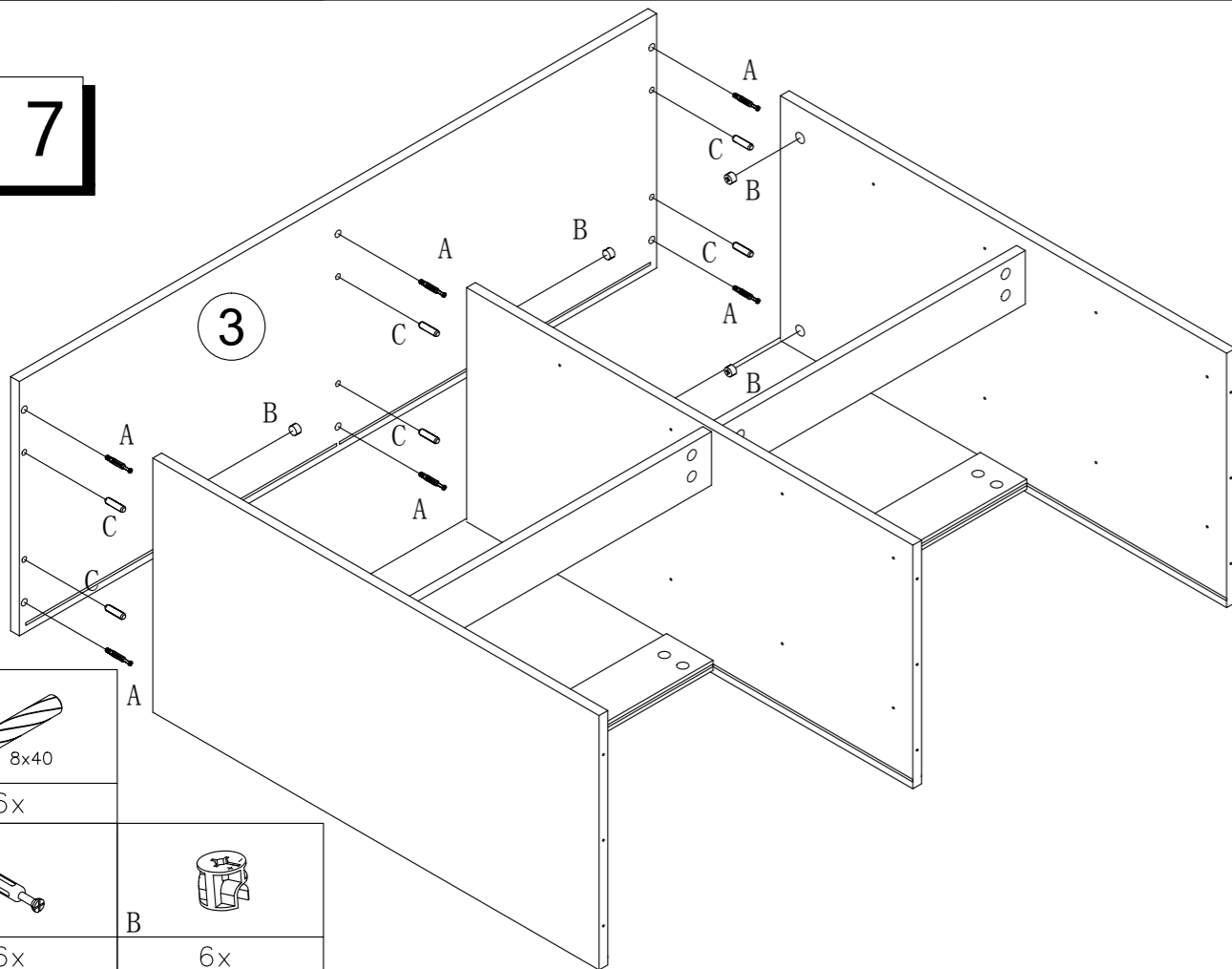


A	B
4x	4x

6



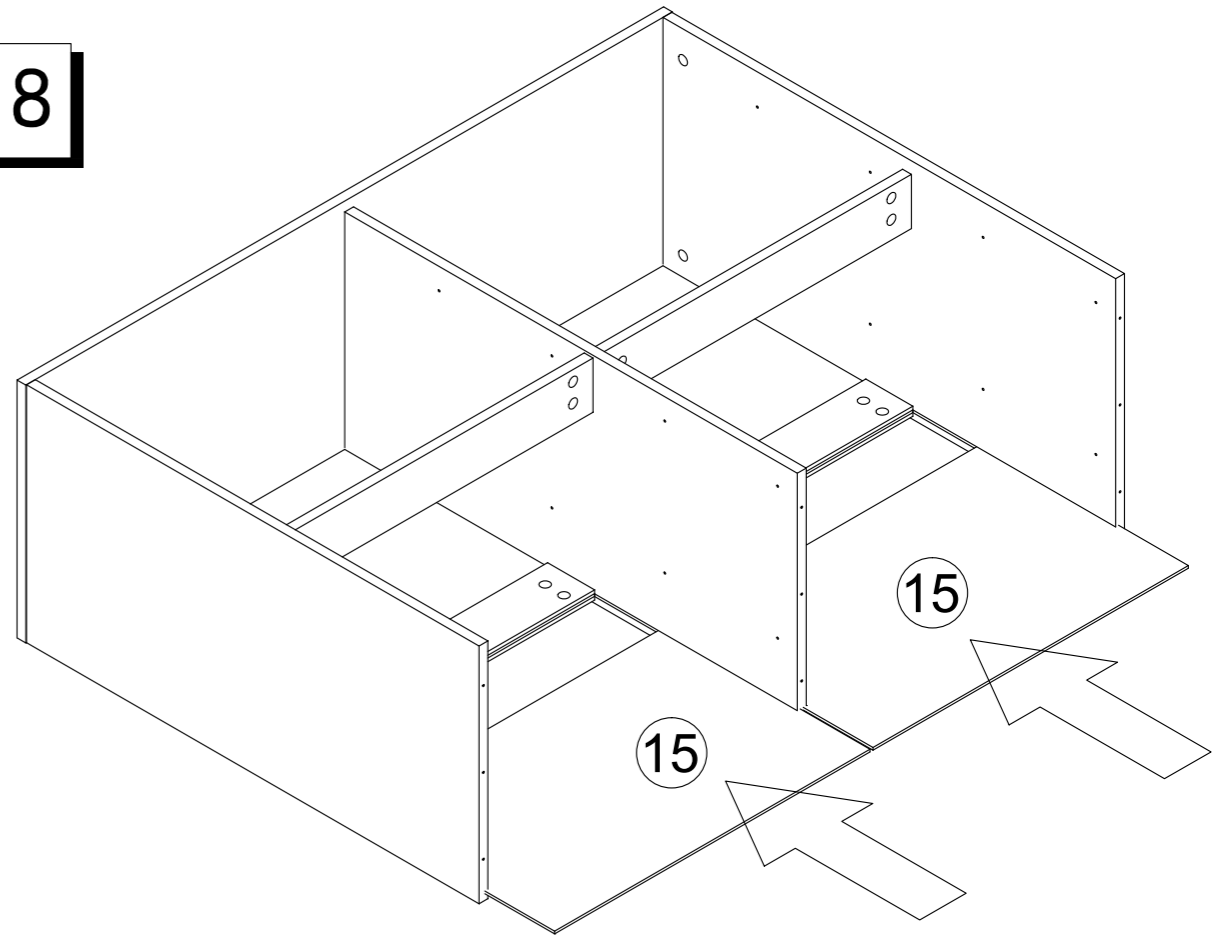
7



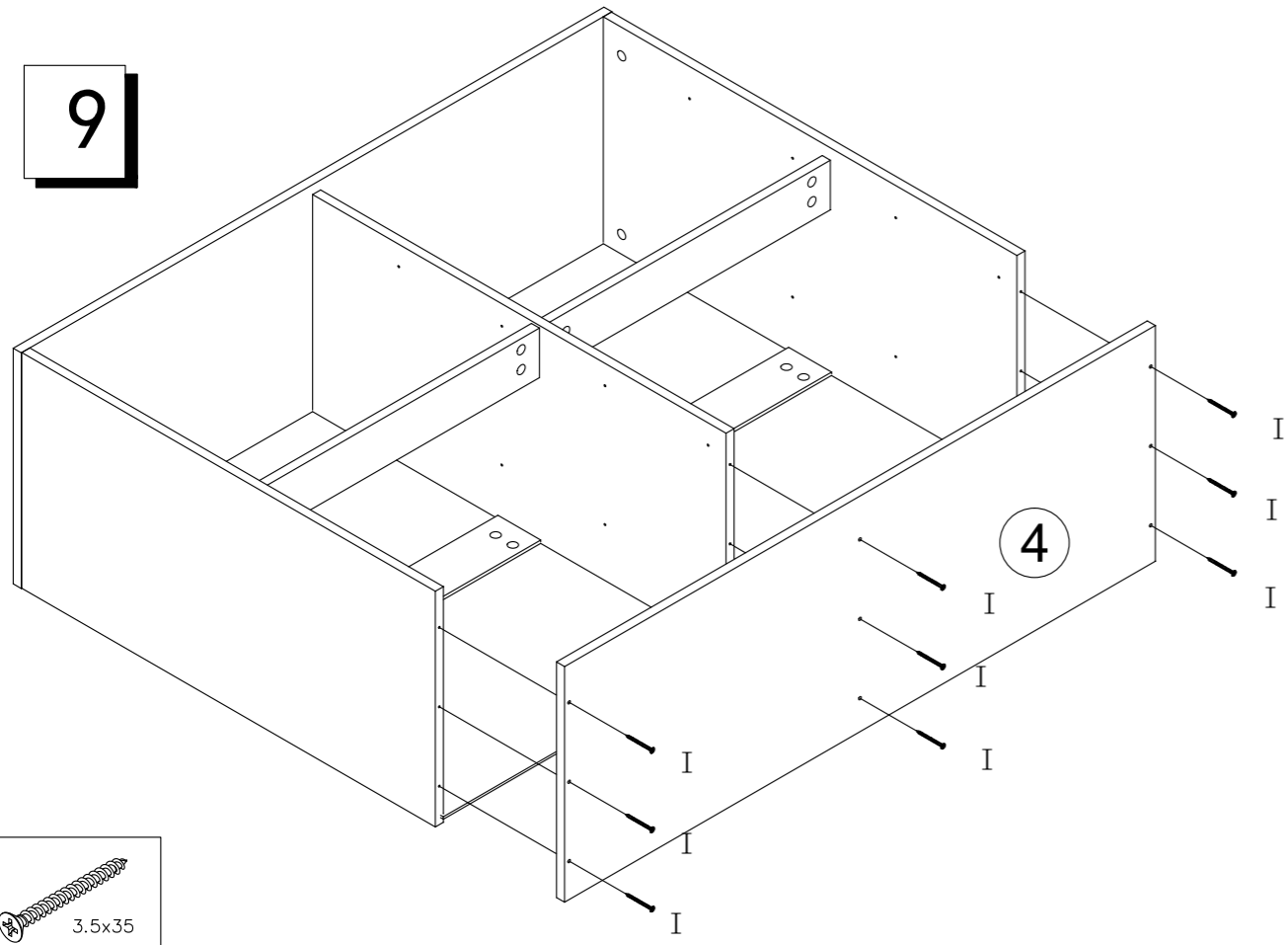
C	8x40
6x	

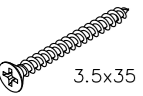
A	B
6x	6x

8

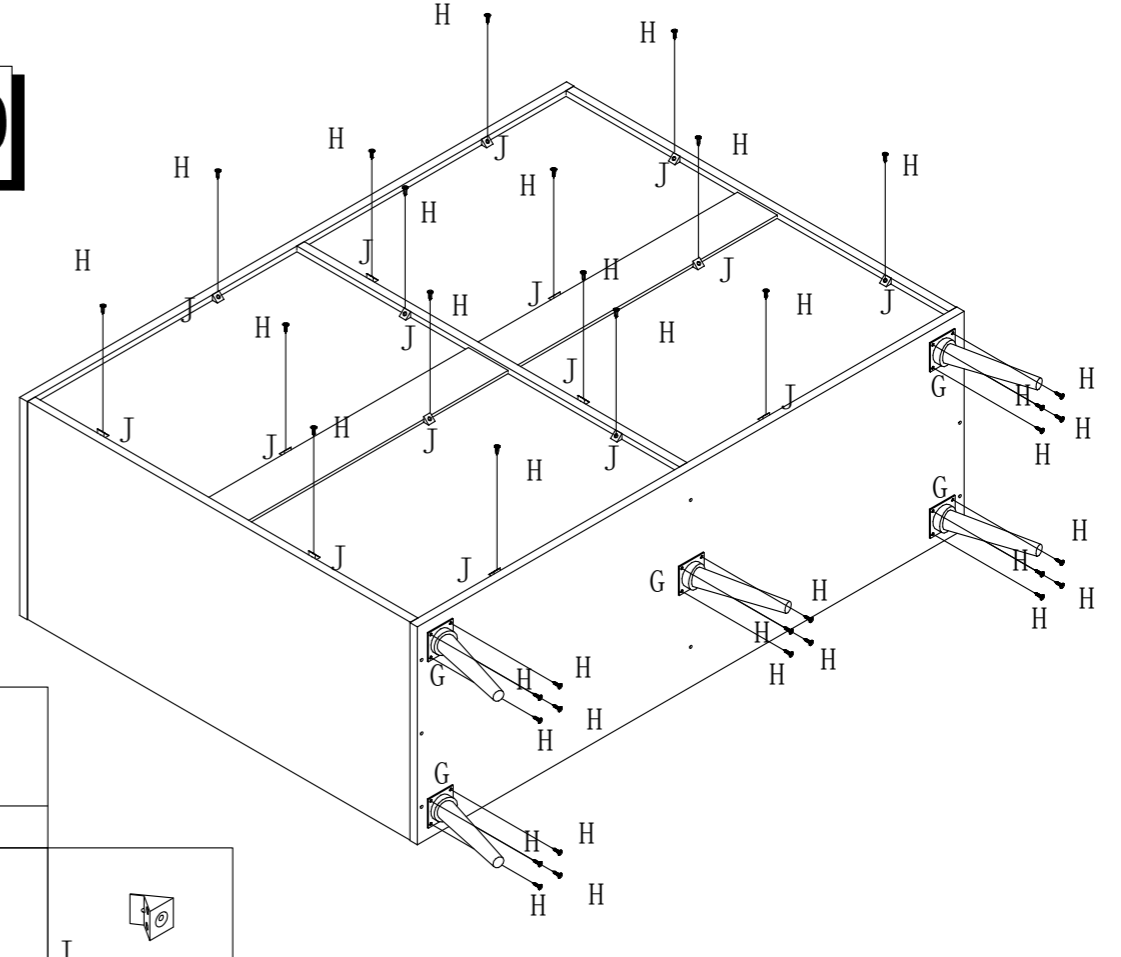





9



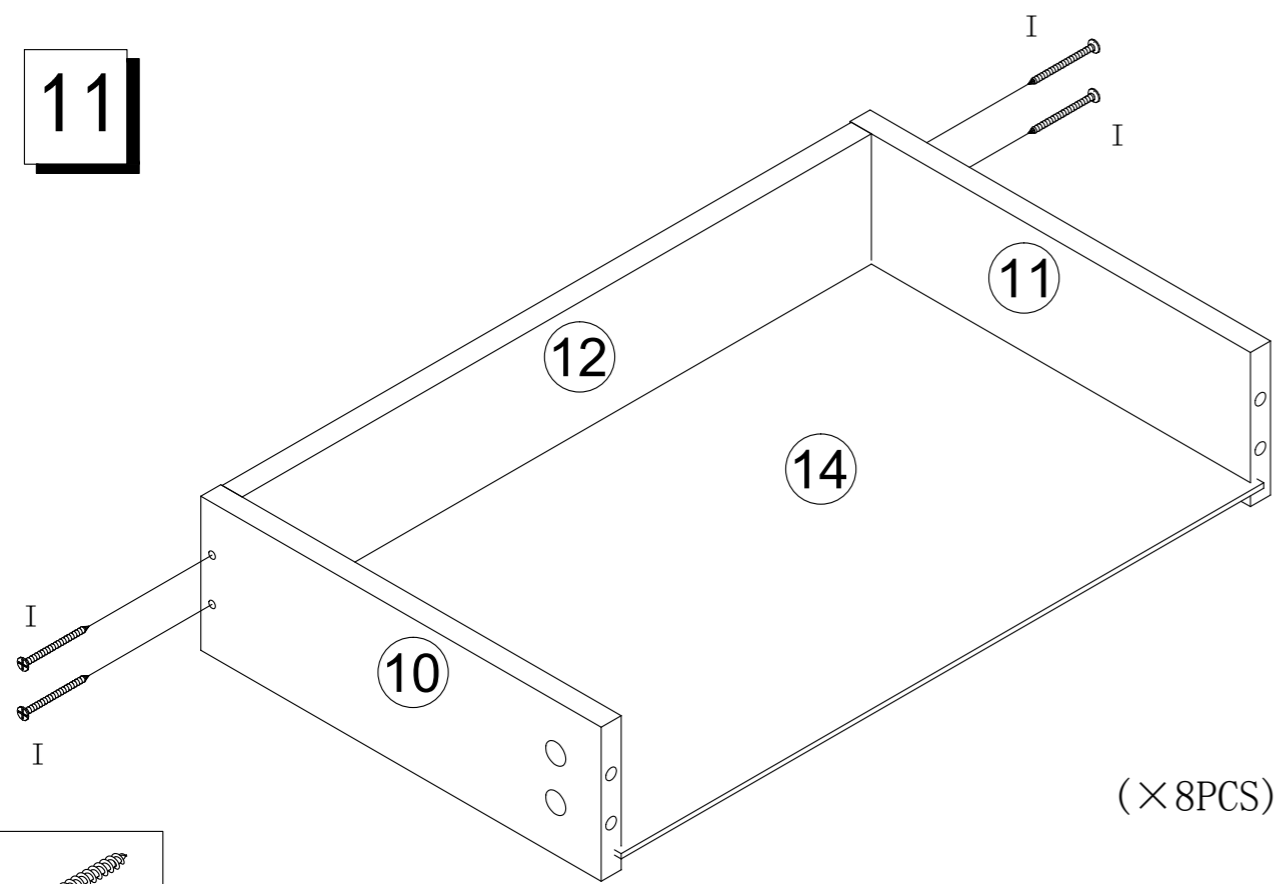
I		3.5x35
9x		

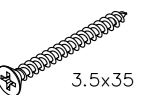
10



H		3.5x14
36x		
G		
5x		
J		
16x		

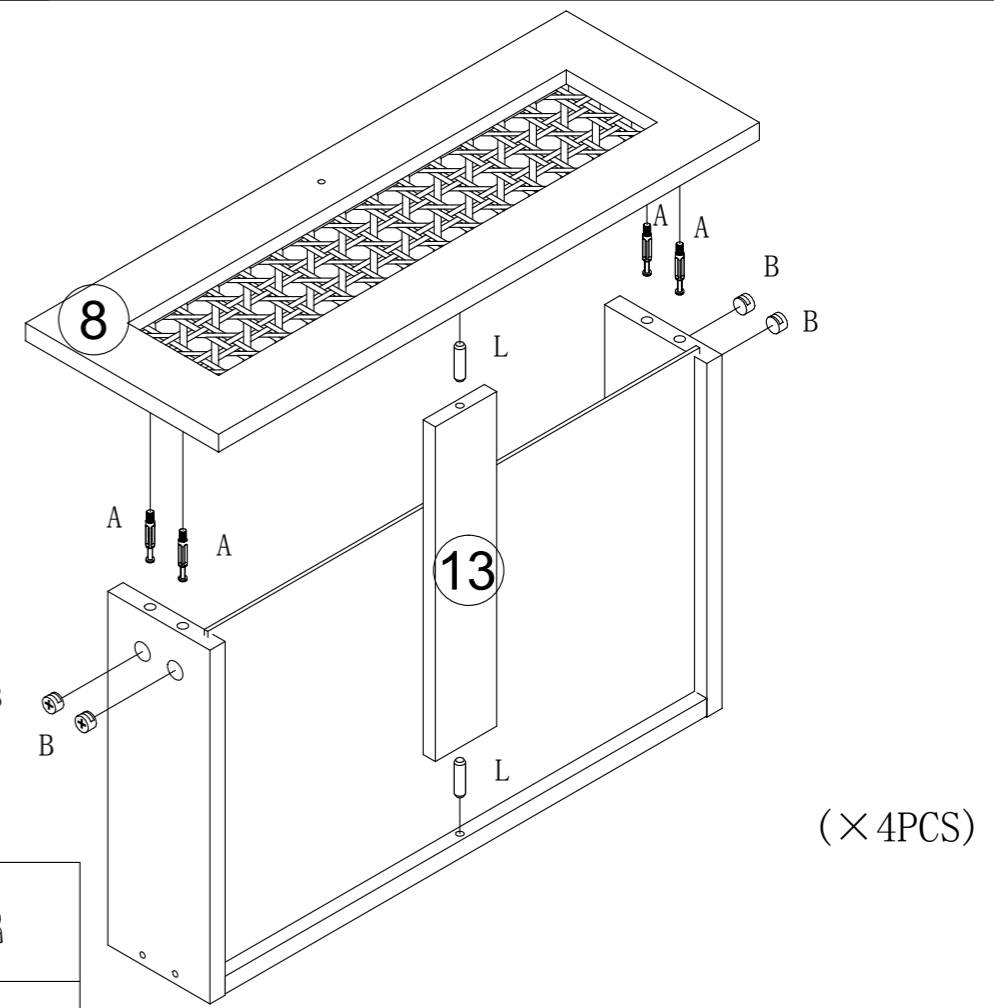
11






I		3.5x35
4x		

(×8PCS)

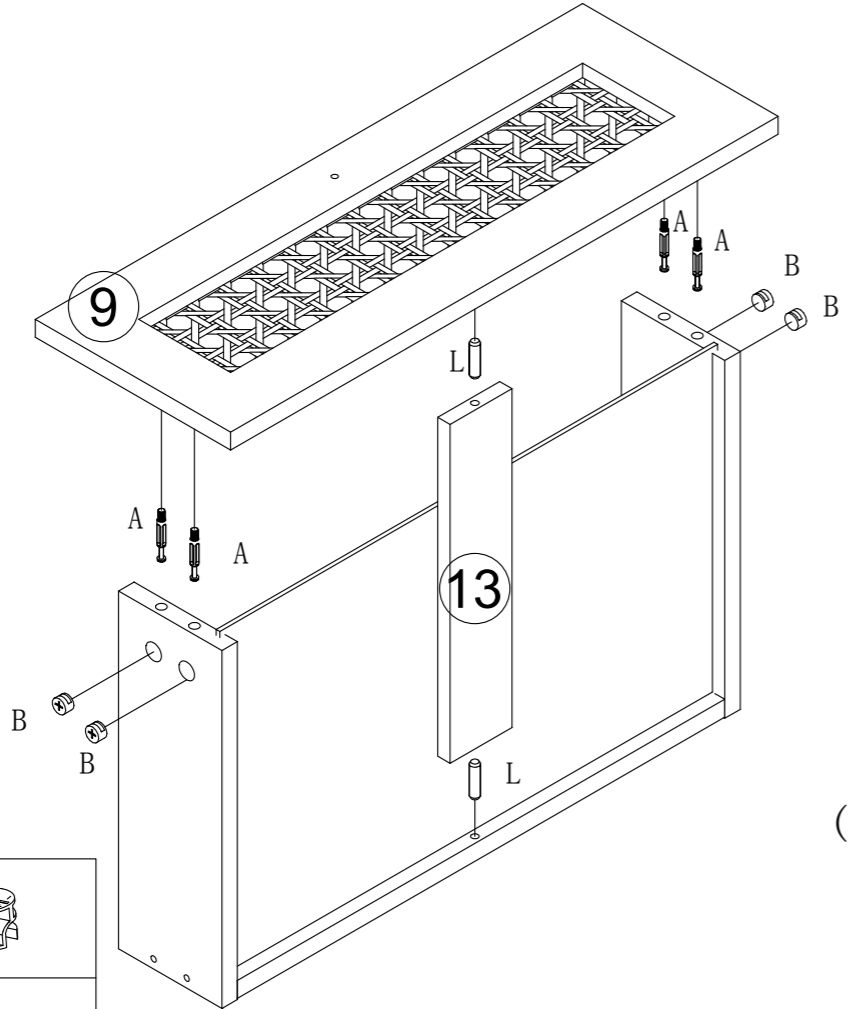
12



L		6x30
2x		
A		
4x		
B		
4x		

(×4PCS)

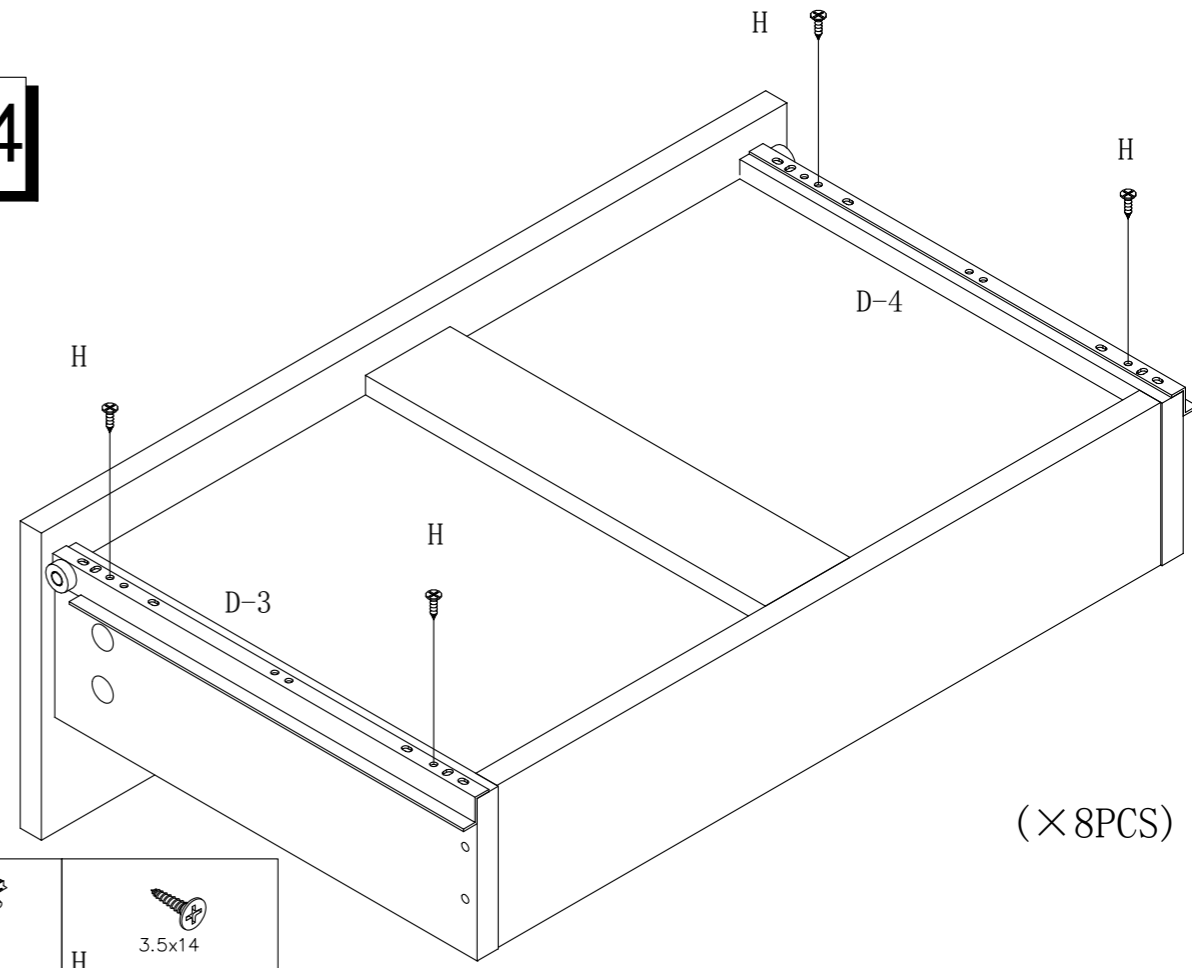
13



(×4PCS)

- | | |
|---|------|
| L | 6x30 |
| | 2x |
| A | |
| | 4x |
| B | |
| | 4x |

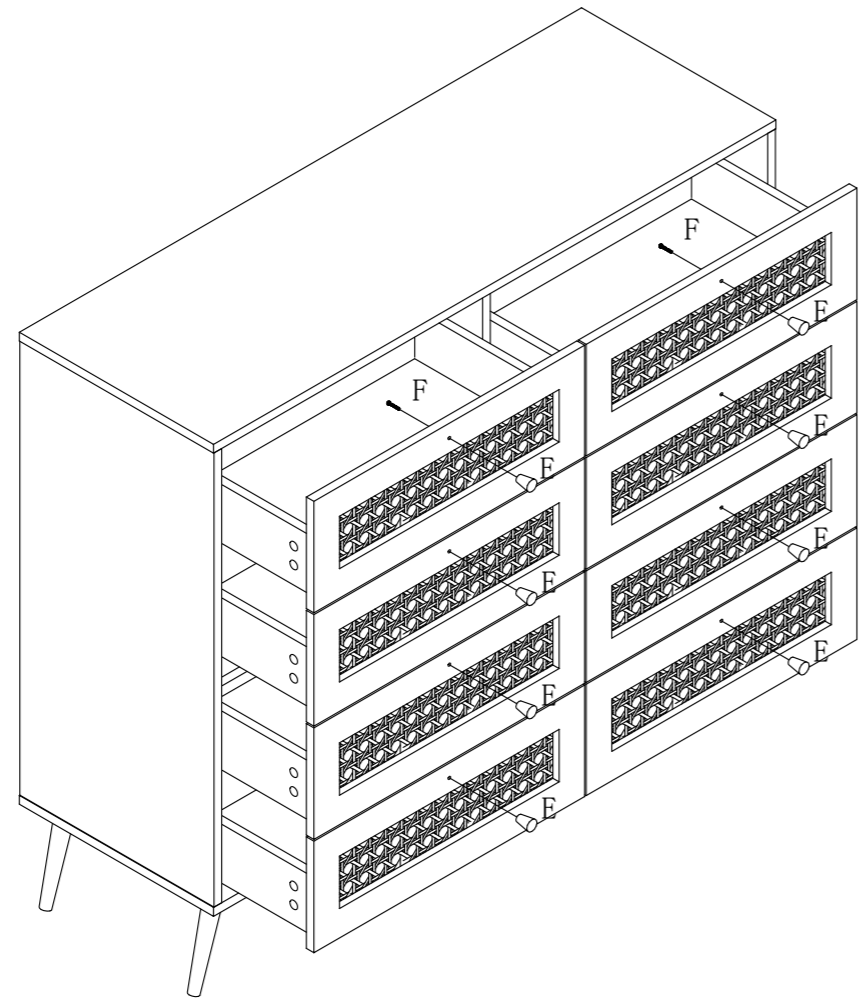
14



(×8PCS)

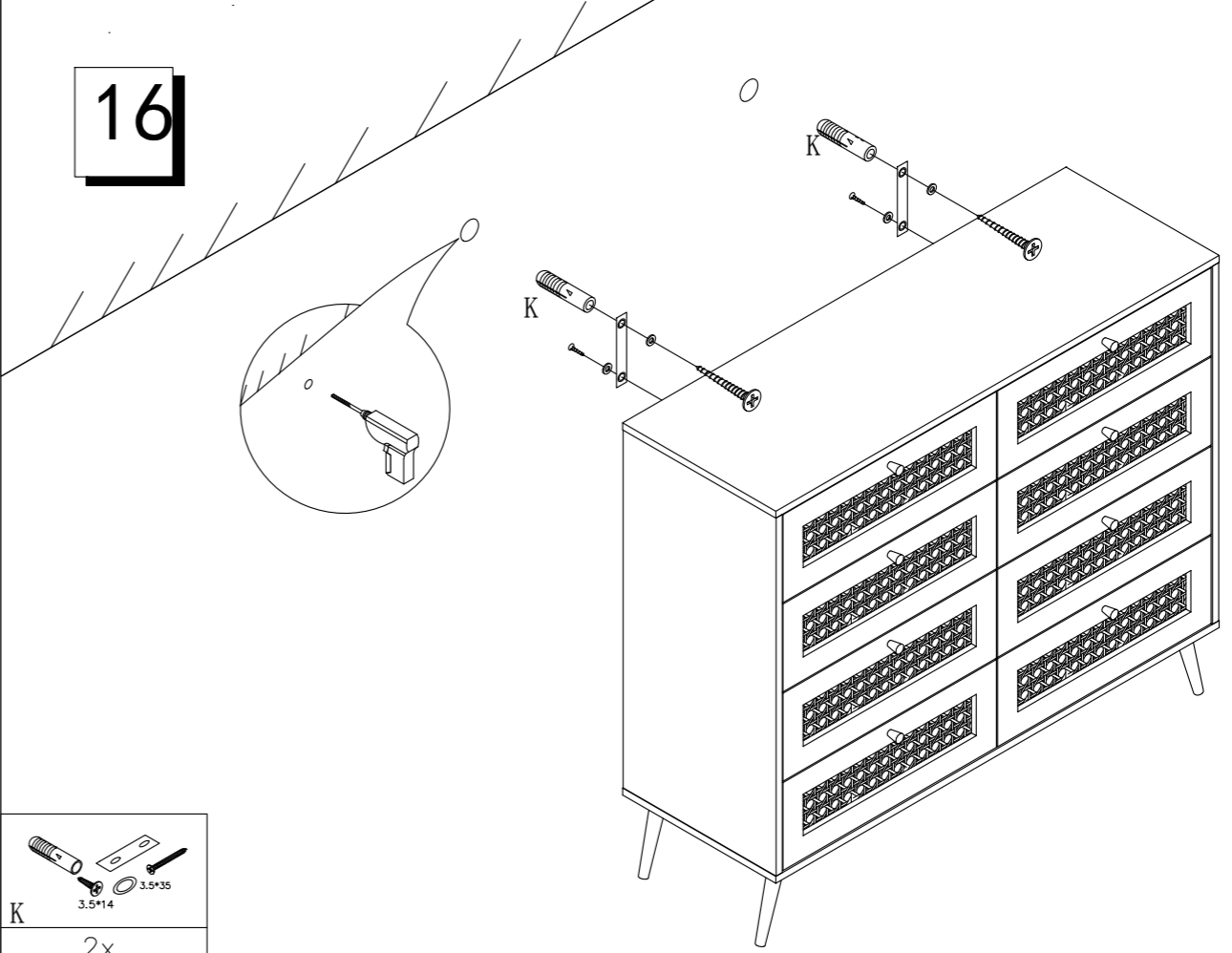
- | | | | | |
|---|-----|-----|---|--------|
| D | D-3 | D-4 | H | 3.5x14 |
| | 1x | | | 4x |

15



- | | |
|---|----|
| F | |
| | 8x |
| E | |
| | 8x |

16



- | | |
|---|--------|
| K | |
| | 3.5*14 |
| | 3.5*35 |
| | 2x |