


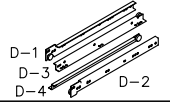
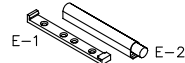
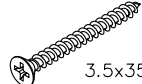



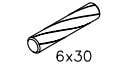
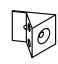
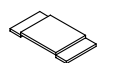

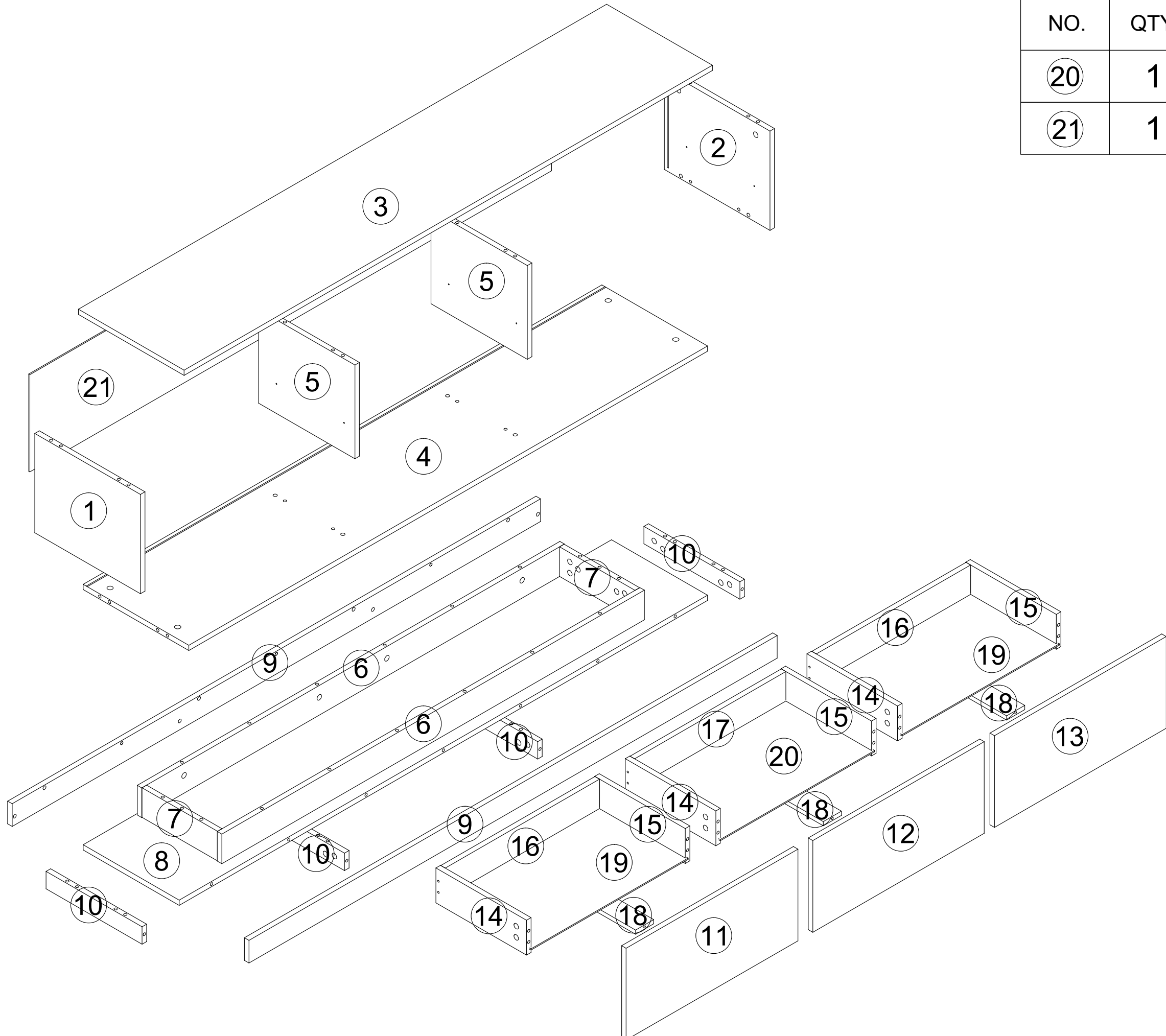
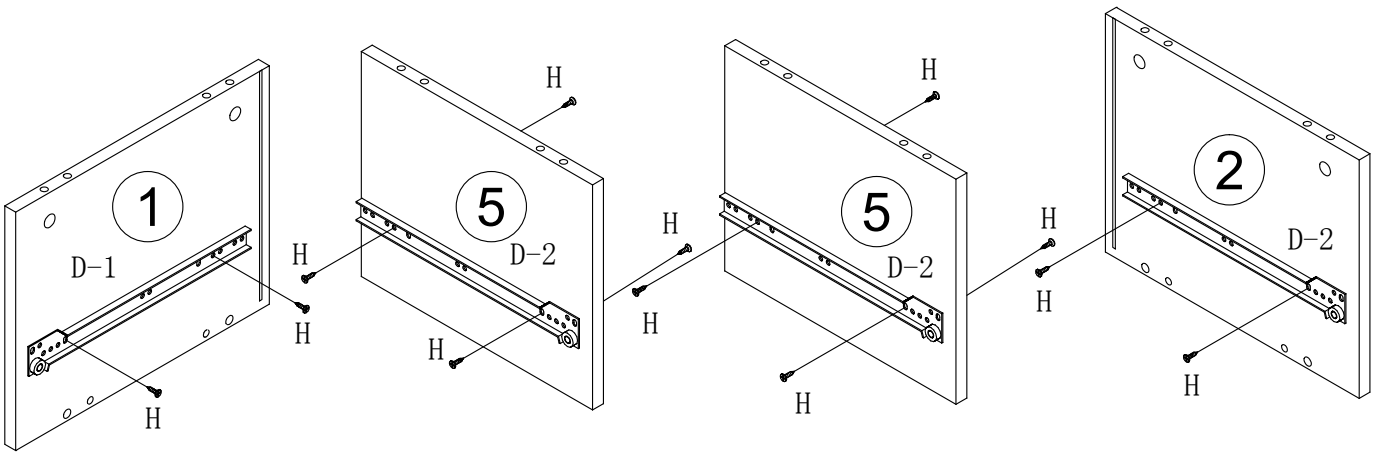


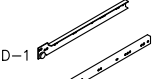

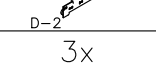
NO.	LINEDRAWING
A×72	
B×72	
C×36	 8x40
D×3	 D-1 D-2 D-3 D-4
E×3	 E-1 E-2
F×28	 3.5x35
G×1	 G-1 G-2
H×44	 3.5x14
I×8	
J×6	 6x30
K×8	
L×8	
M×16	 3x12



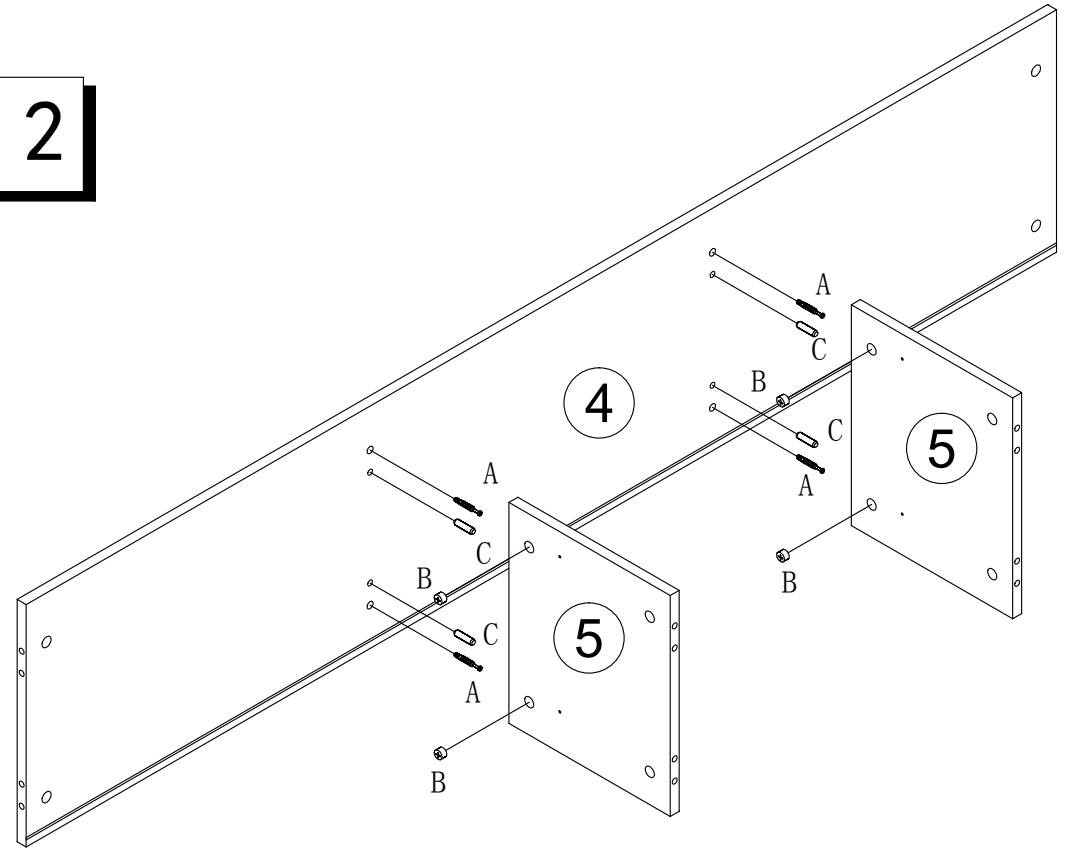
NO.	QTY.	NO.	QTY.
20	1	1	1
21	1	2	1
		3	1
		4	1
		5	2
		6	2
		7	2
		8	1
		9	2
		10	4
		11	1
		12	1
		13	1
		14	3
		15	3
		16	2
		17	1
		18	3
		19	2




1



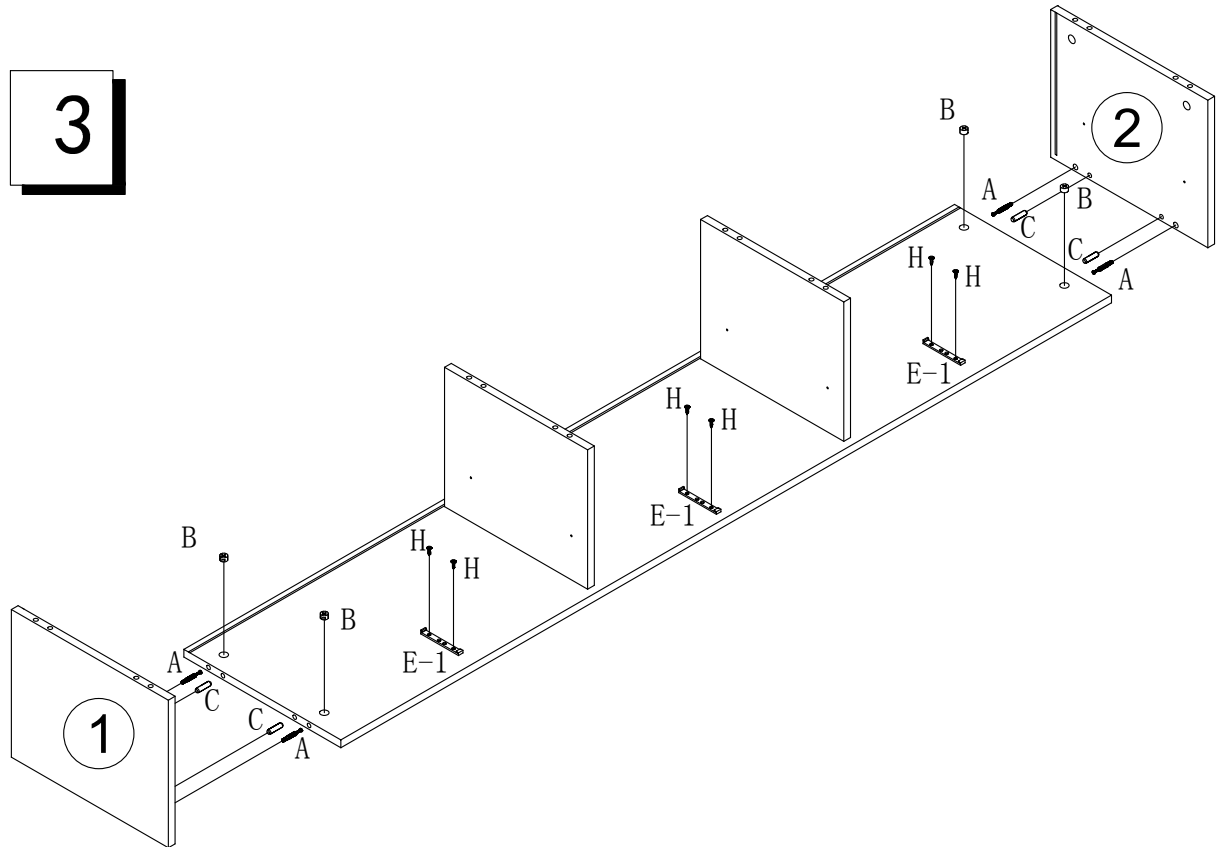
 D-1	 3.5x14
 D-2	
3x	12x

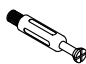



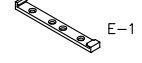
2



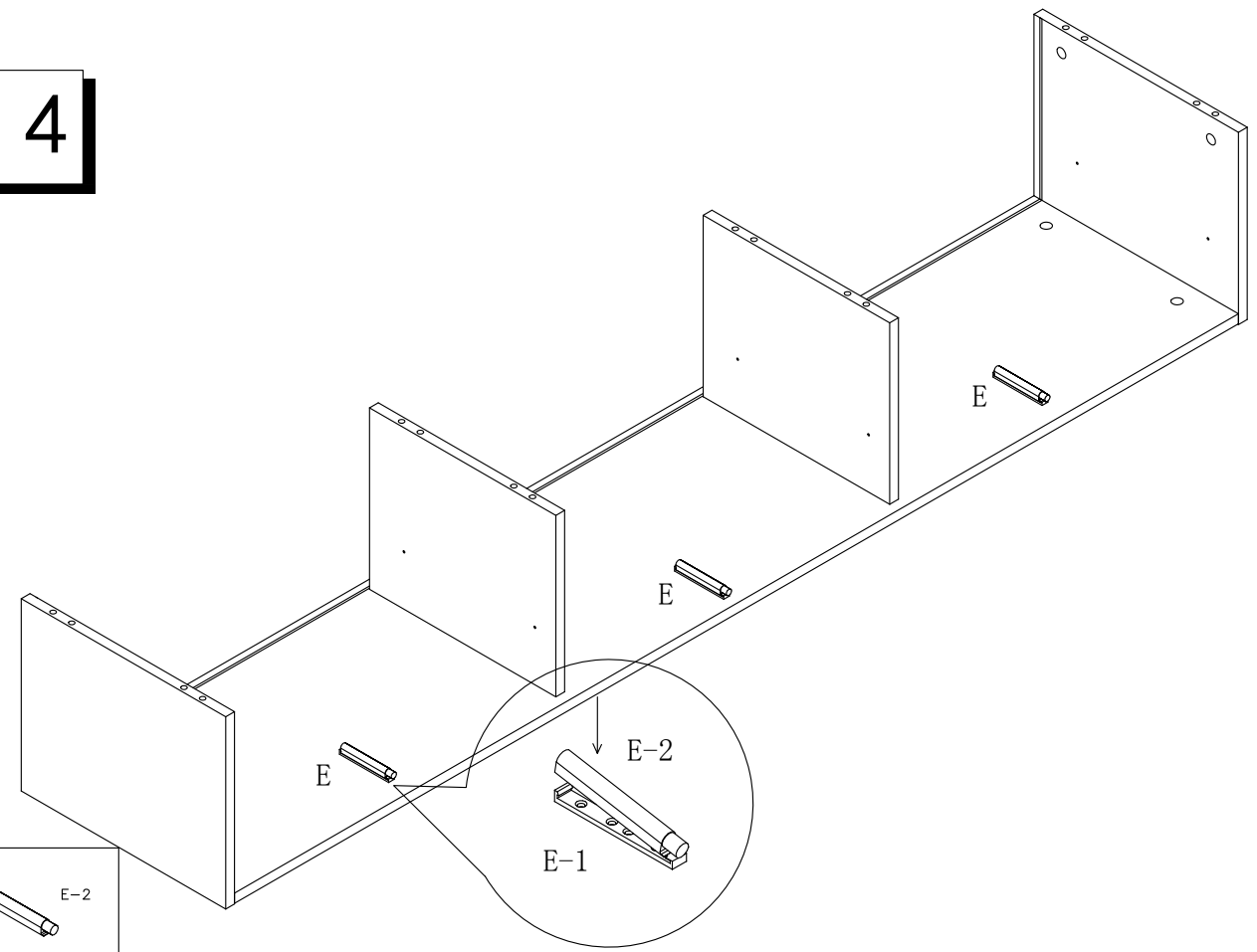
 A	 B	 8x40
4x	4x	4x

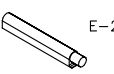
3



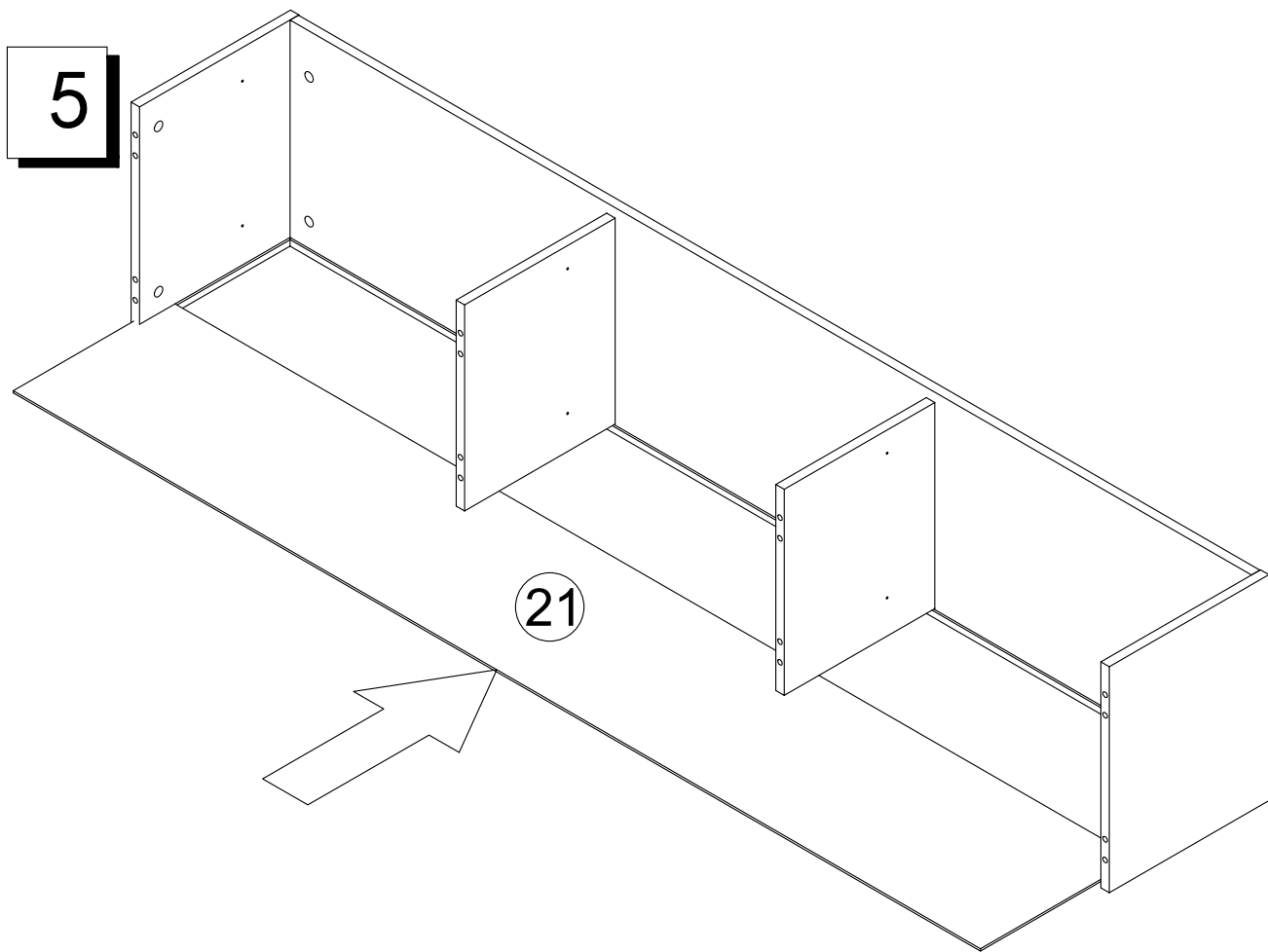
 A	 B	 8x40	 3.5x14	 E-1
4x	4x	4x	6x	3x

4

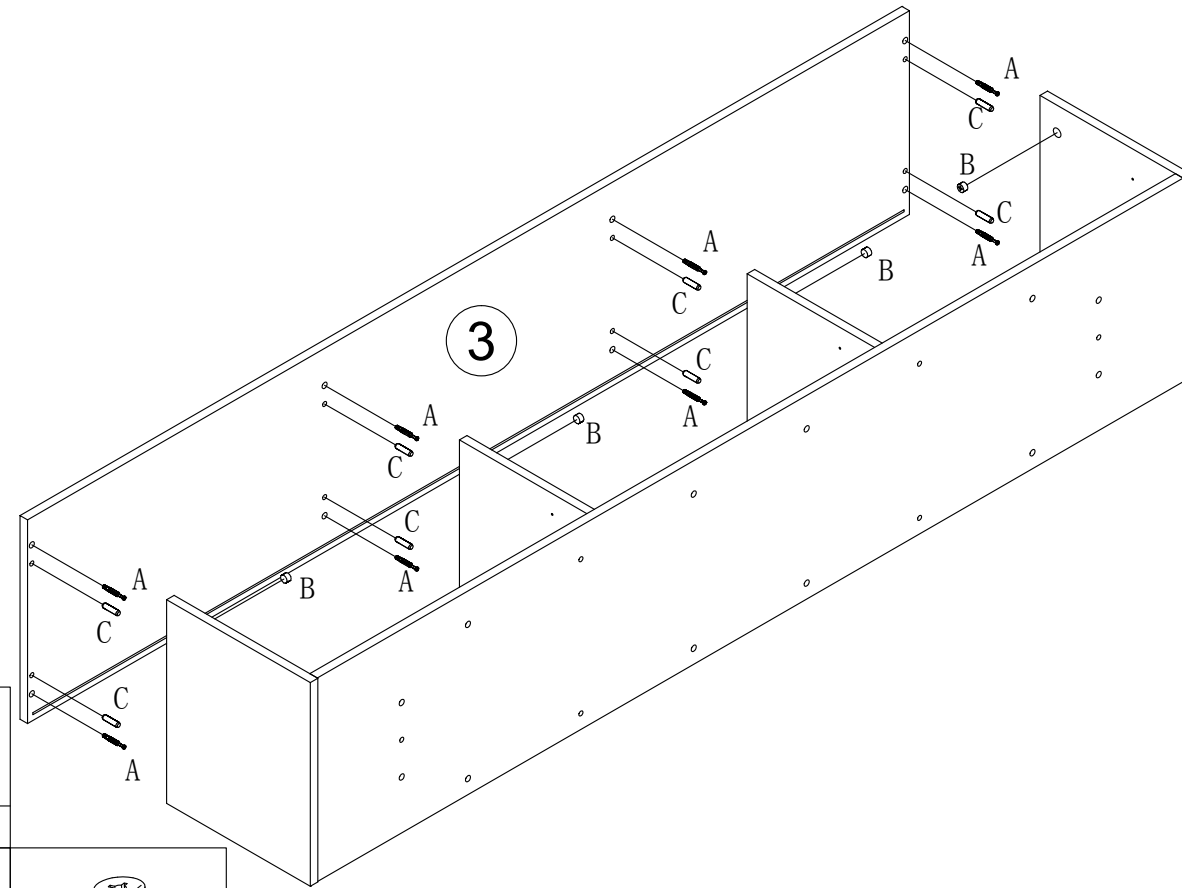


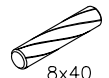


 E-2
3x

5

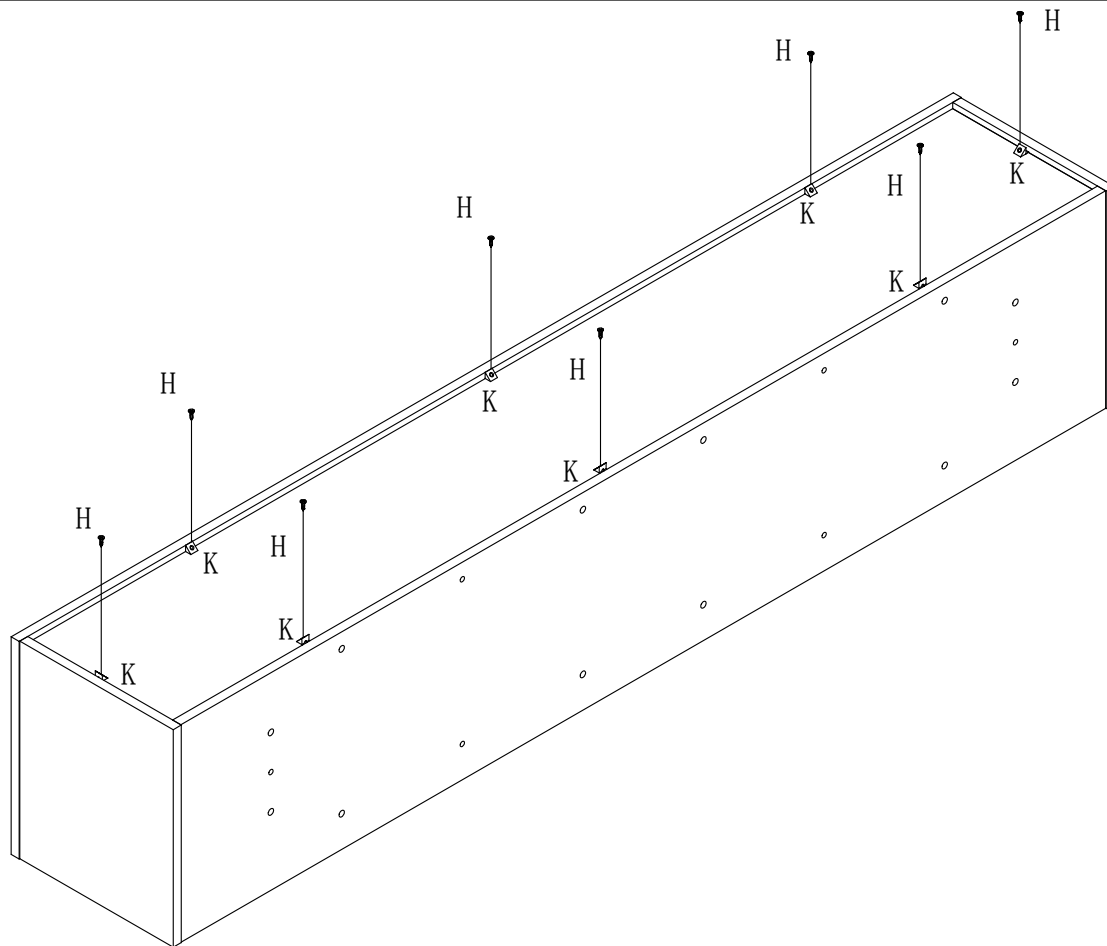



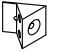
6



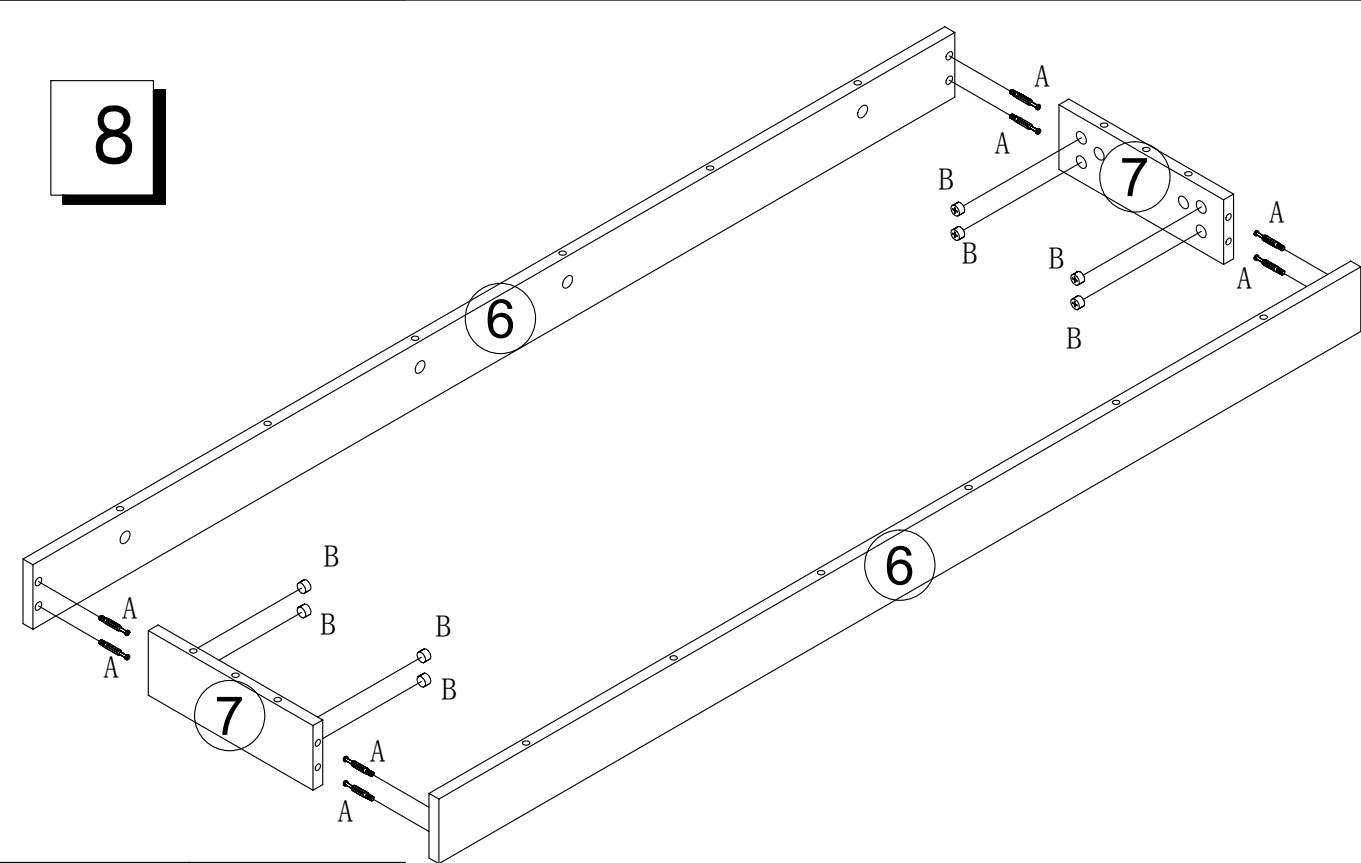
C	 8x40
	8x
A	
	8x
B	
	8x



7



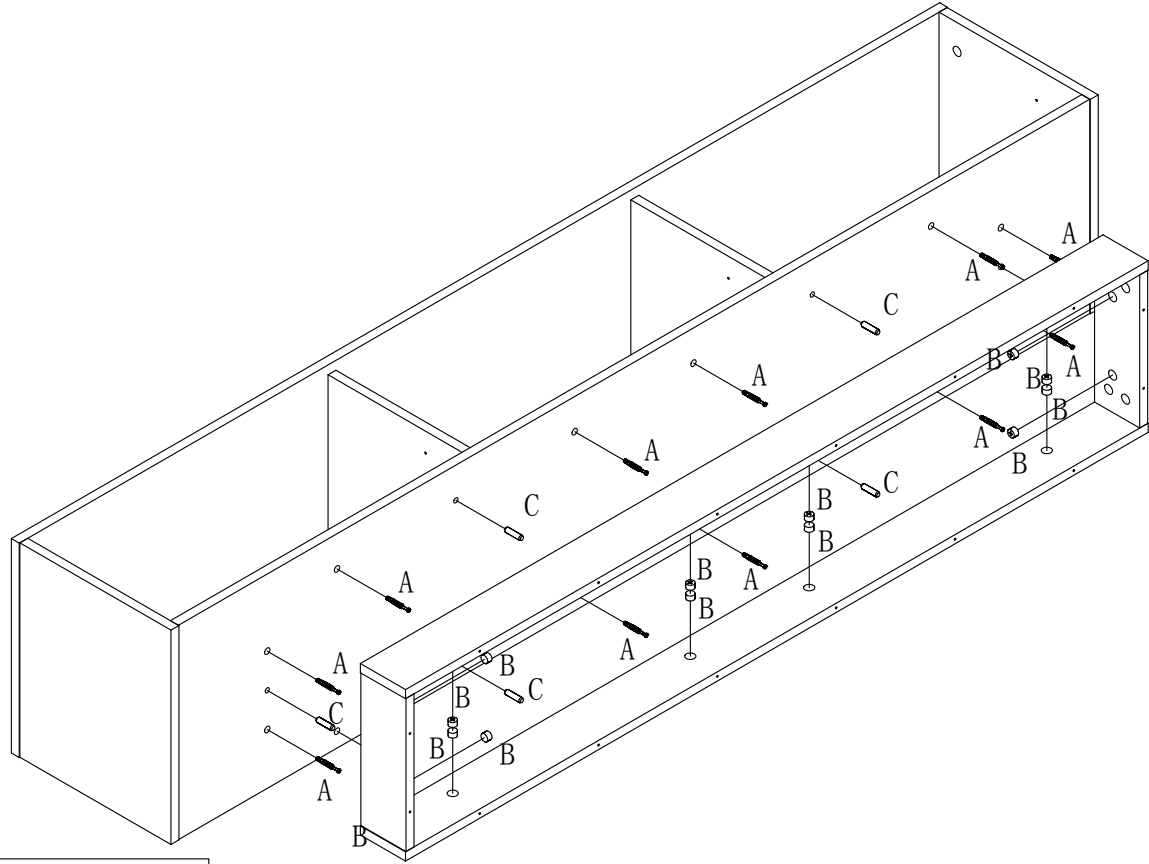
H	 3.5x14
	8x
K	
	8x

8



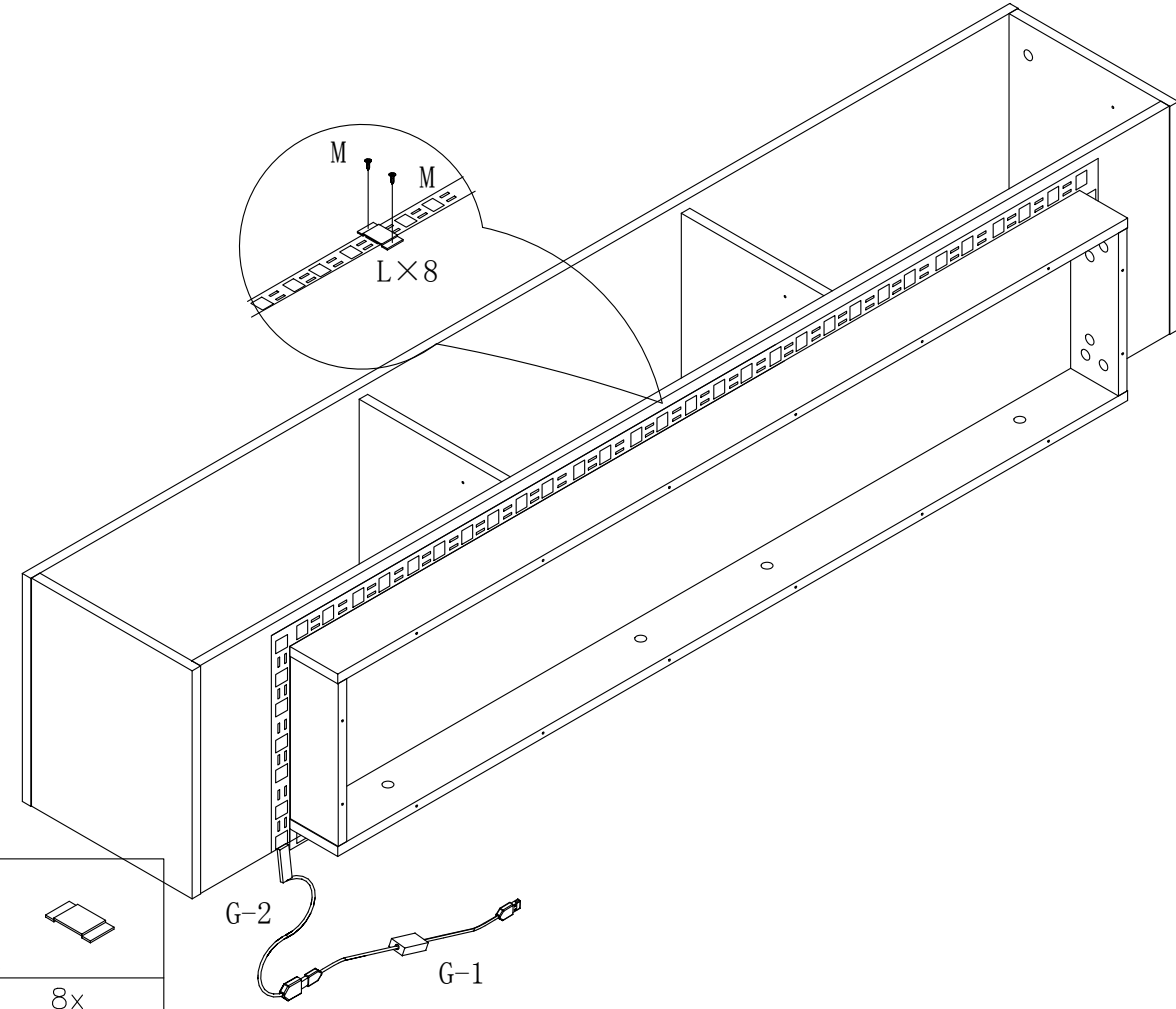
A	
	8x
B	
	8x

9



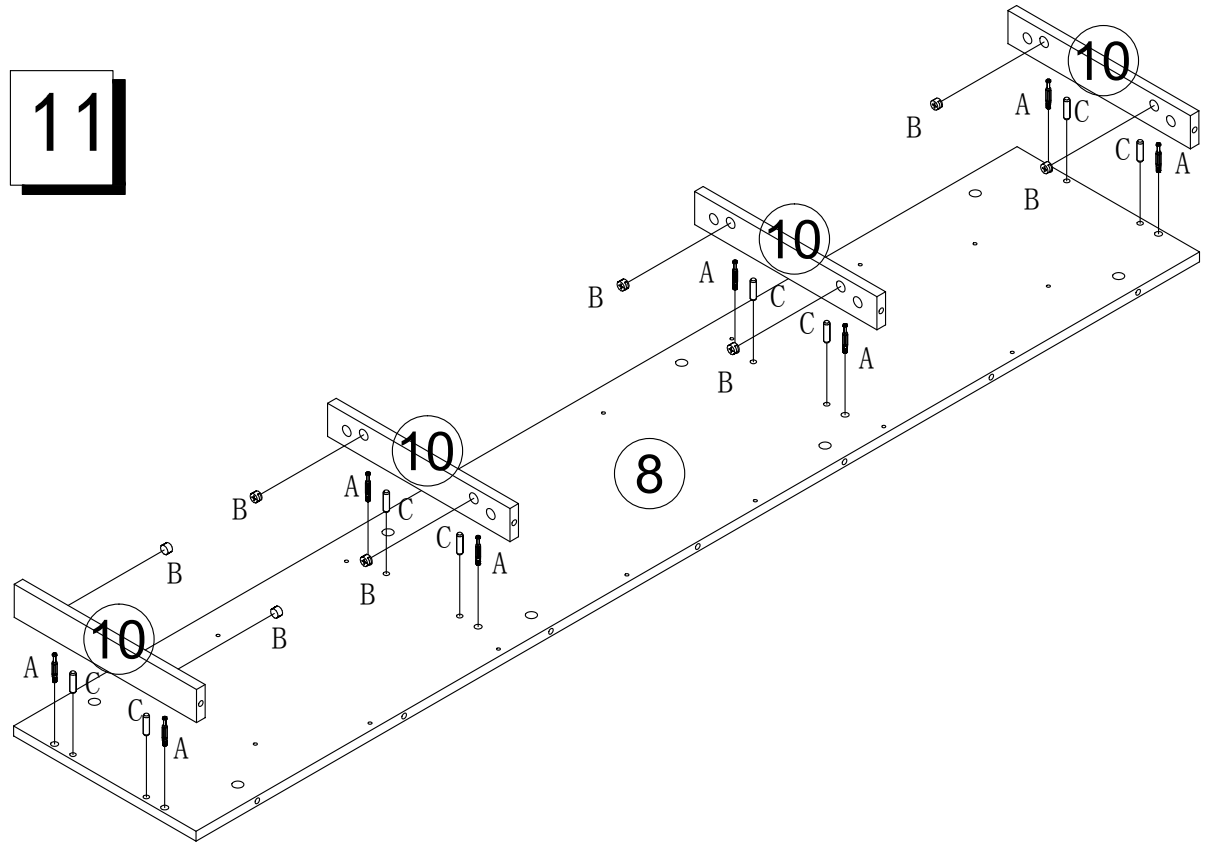
C		6x
A		12x
B		12x

10



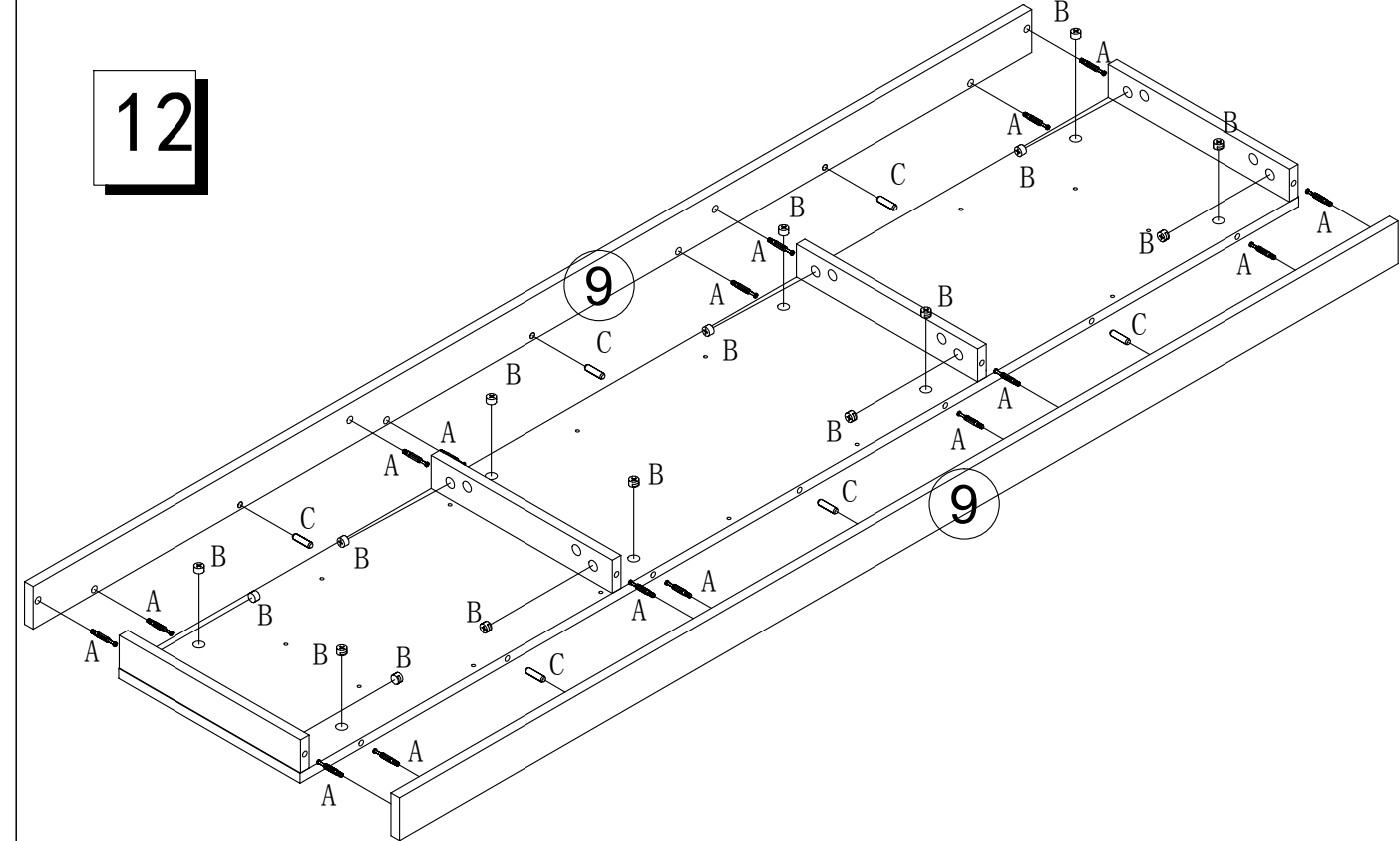
M		16x
G		1x
L		8x

11



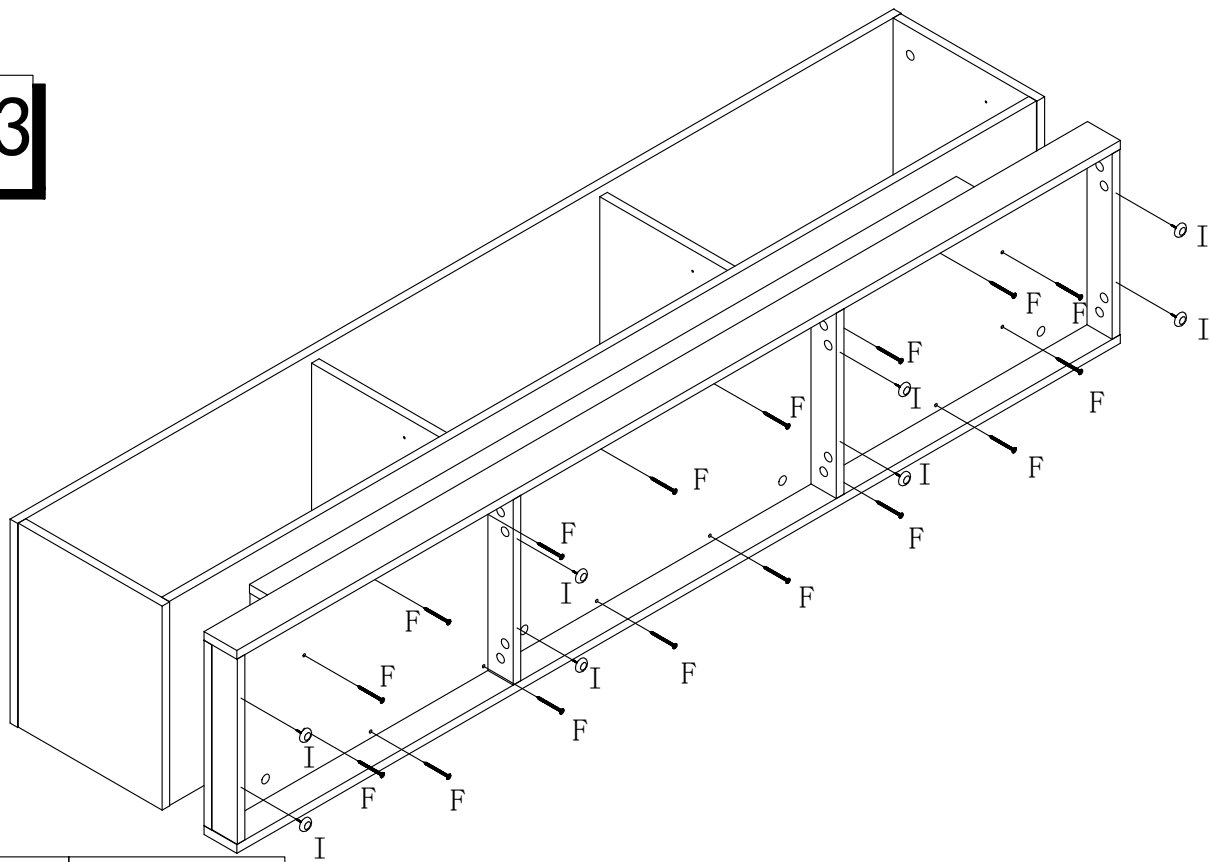
A		8x
B		8x
C		8x

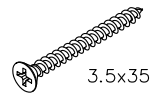

12



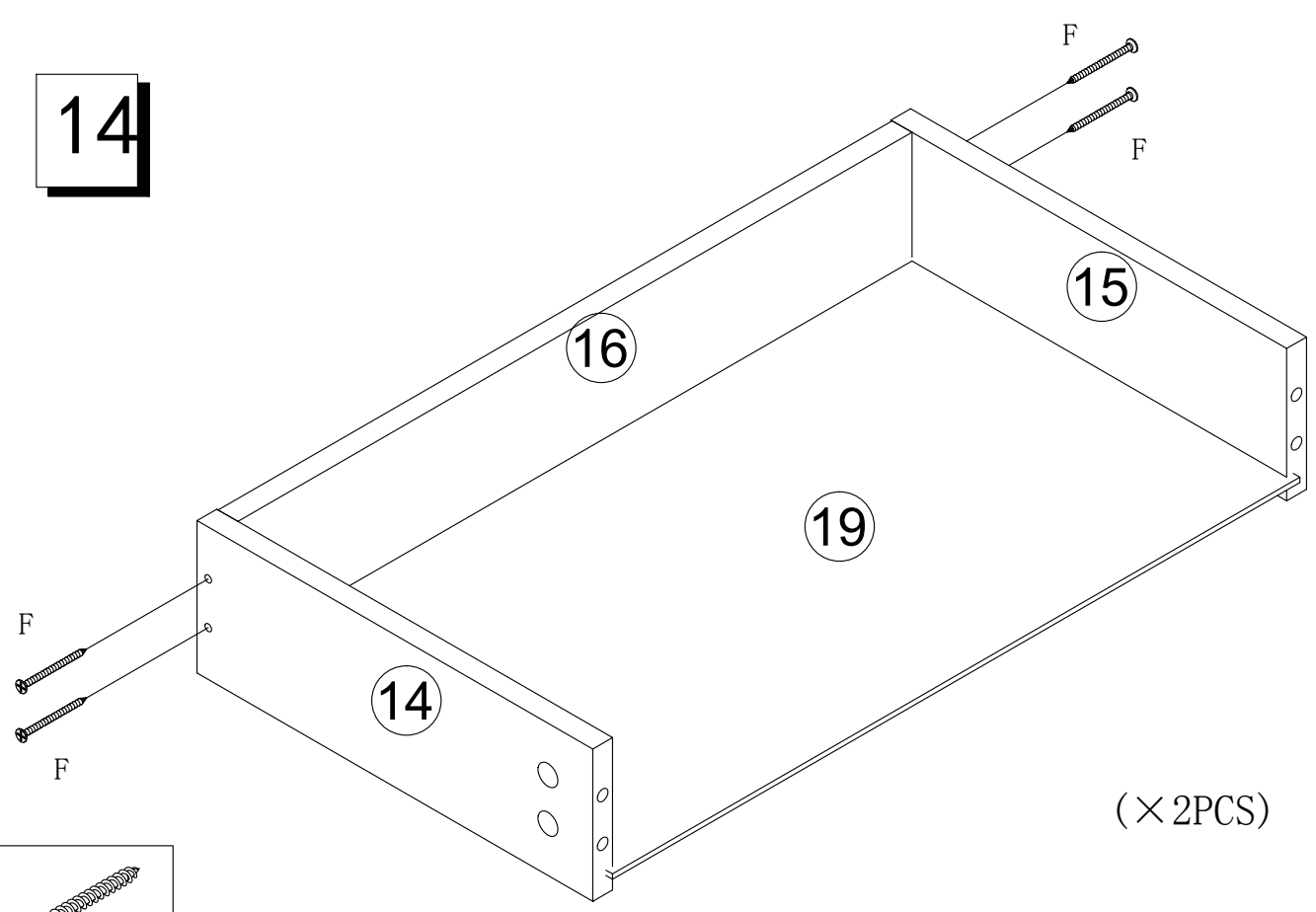
A		16x
B		16x
C		6x

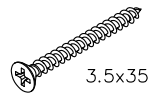
13



 3.5x35	
16x	8x

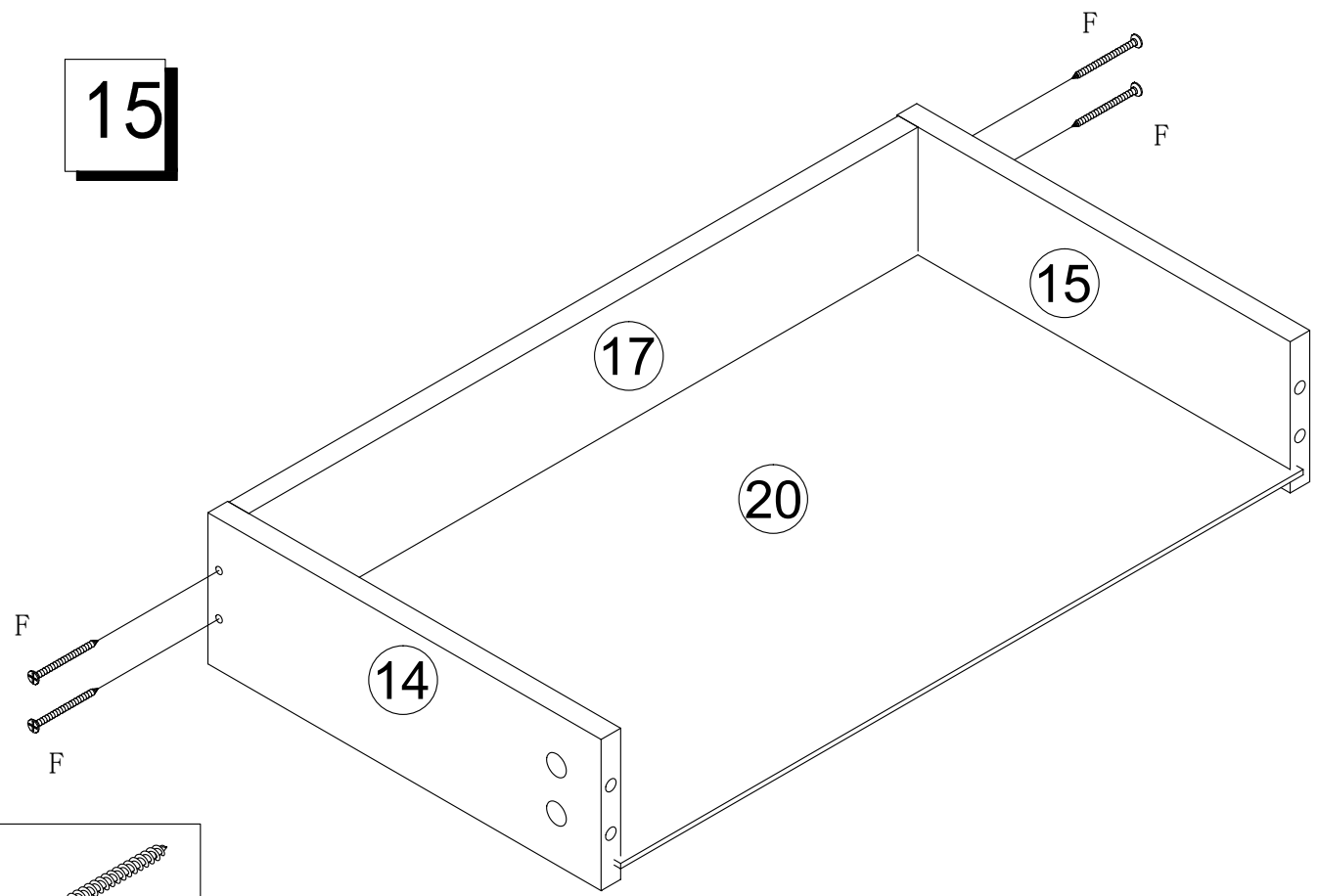
14

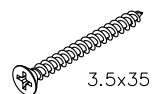


 3.5x35
4x

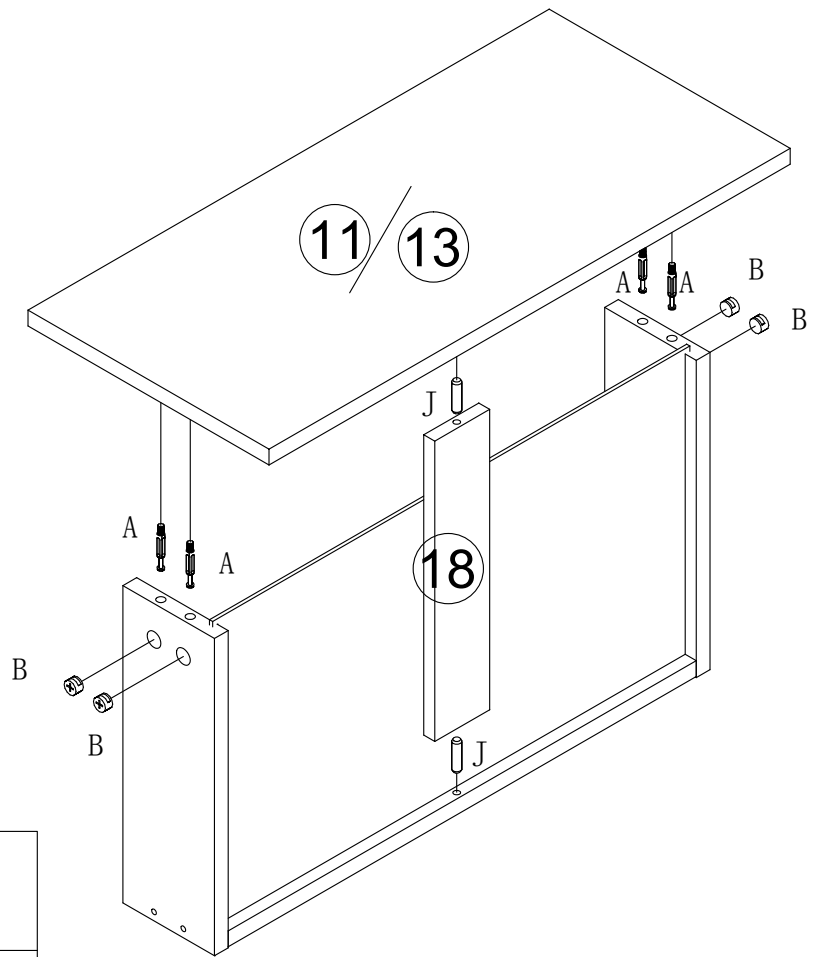
(× 2PCS)





15



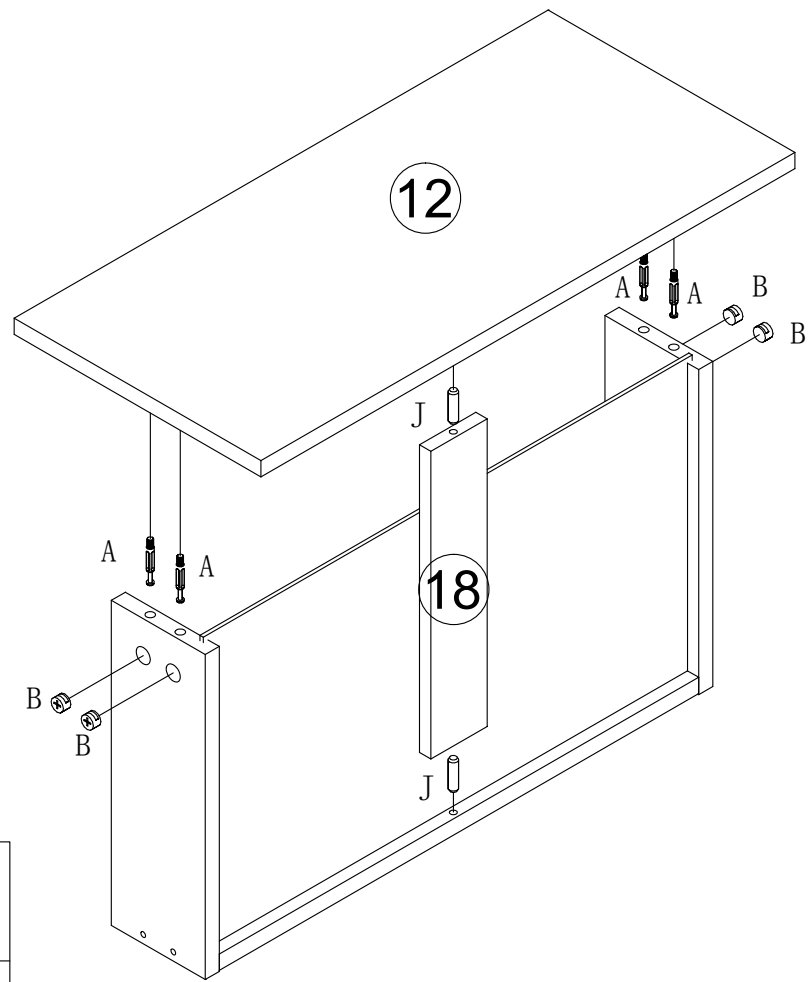
 3.5x35
4x

16



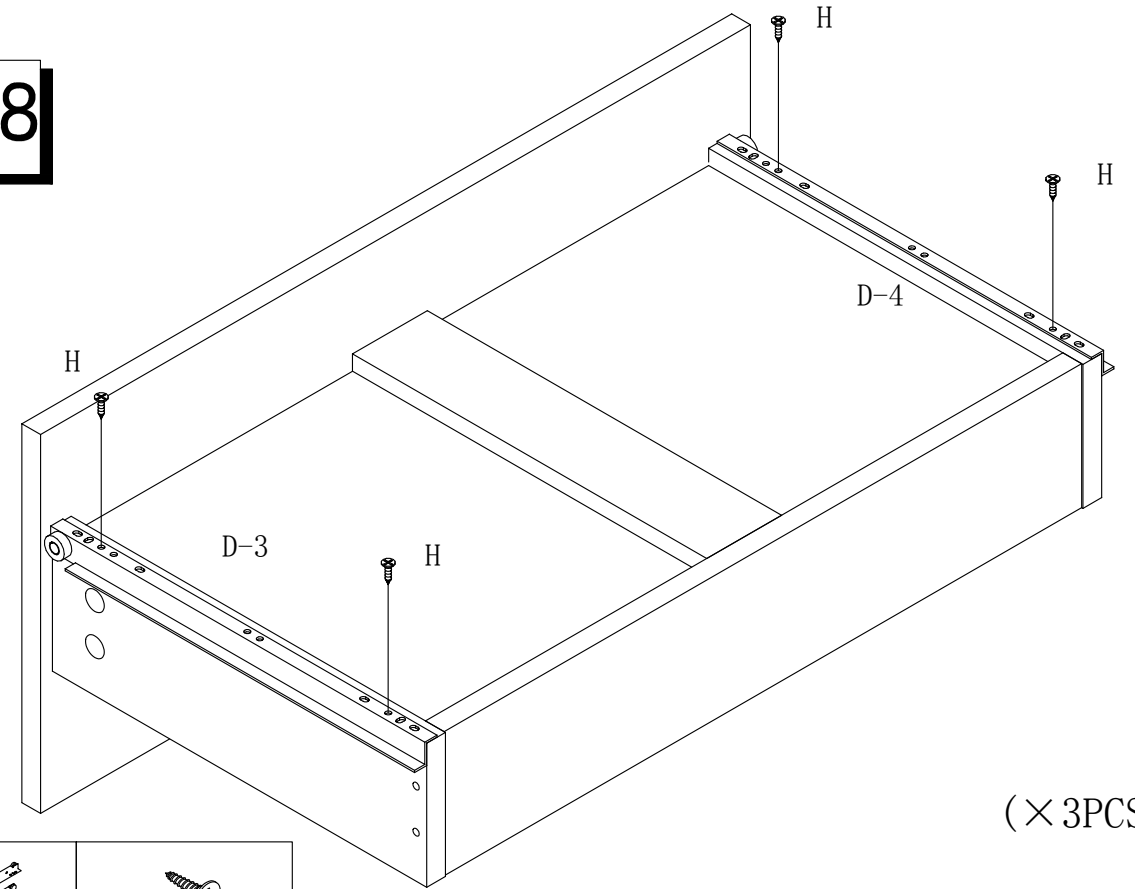
 6x30	
4x	8x
	
8x	8x

17



J		6x30	2x
A			4x
B			4x

18



D		D-3	1x
H		3.5x14	4x

(× 3PCS)

19

