













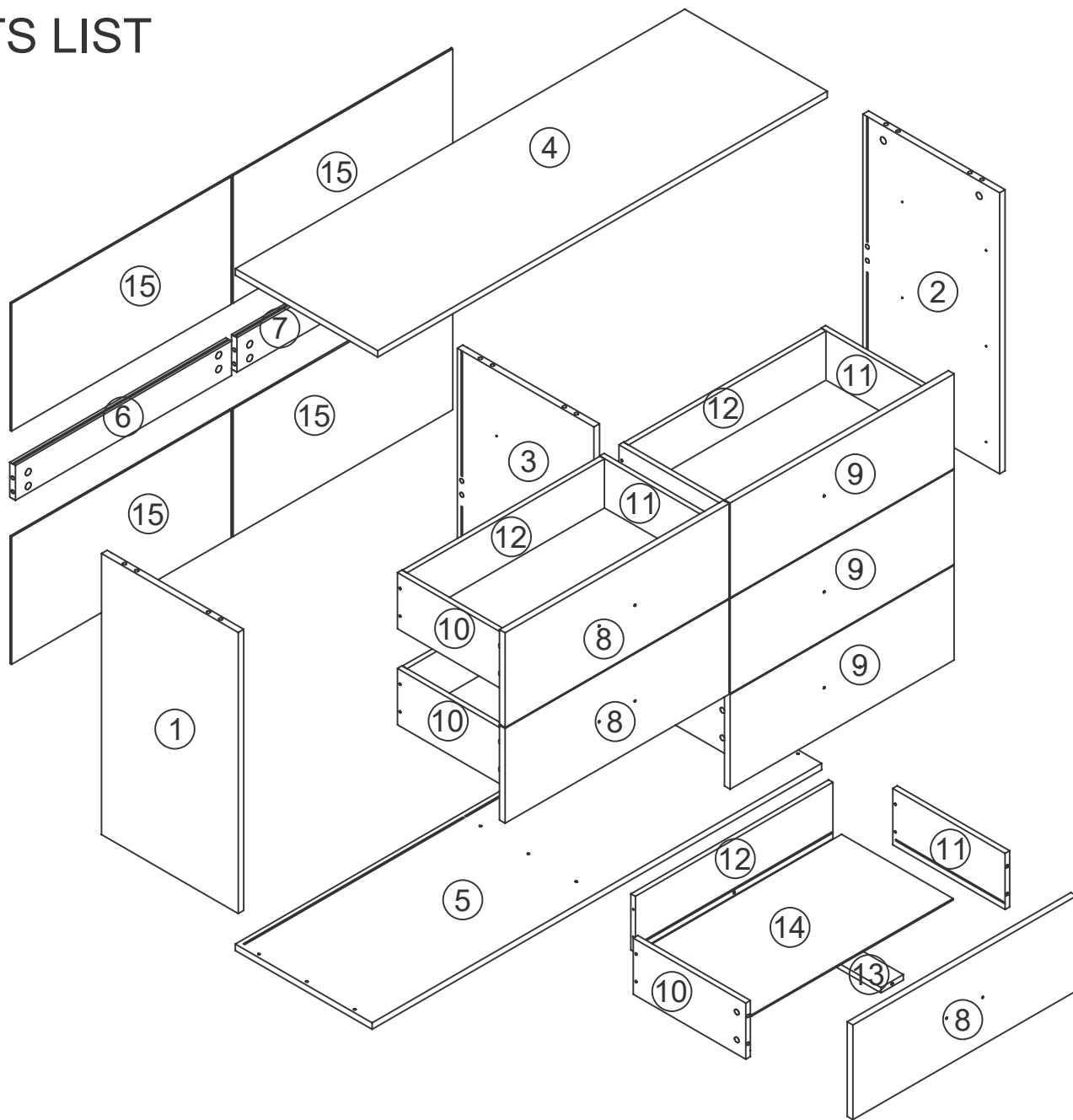




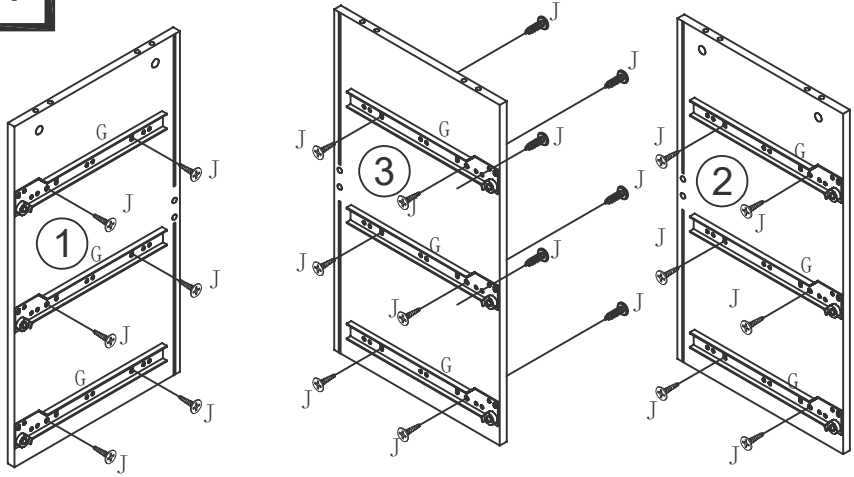
NO.	LINEDRAWING
A×14	
B×14	
C×24	
D×24	
E×6	 8x40
F×12	 6x30
G×6	
H×6	
I×12	
J×96	 3.5x14
K×33	 3.5x35
L×16	
M×5	
O×2	 3.5x14 3.5x55



PARTS LIST



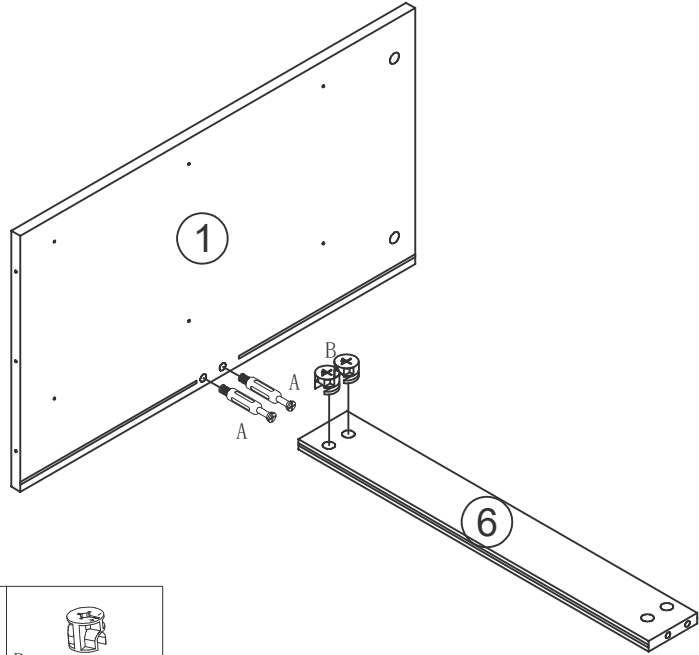
NO.	QTY.
①	1
②	1
③	1
④	1
⑤	1
⑥	1
⑦	1
⑧	3
⑨	3
⑩	6
⑪	6
⑫	6
⑬	6
⑭	6
⑮	4



1



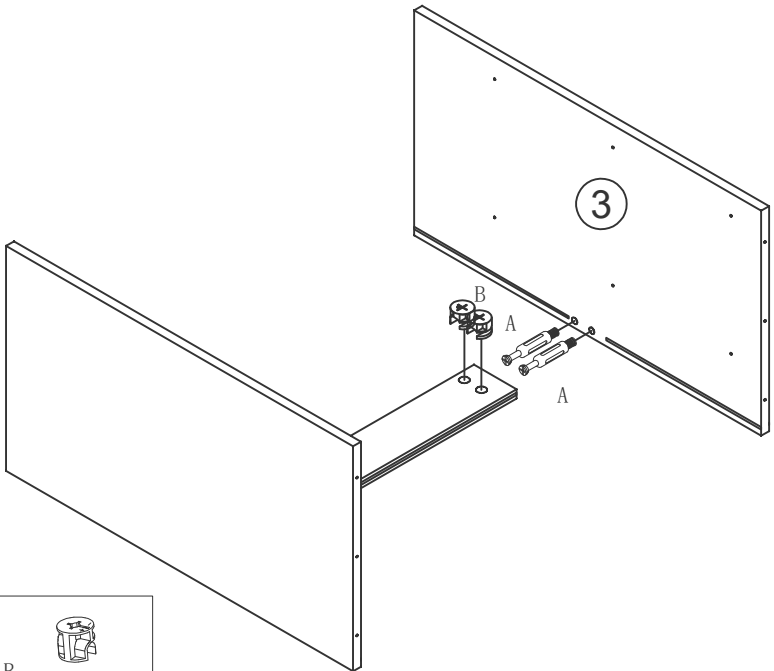
	
G 6x	J 3.5x14 24x



2



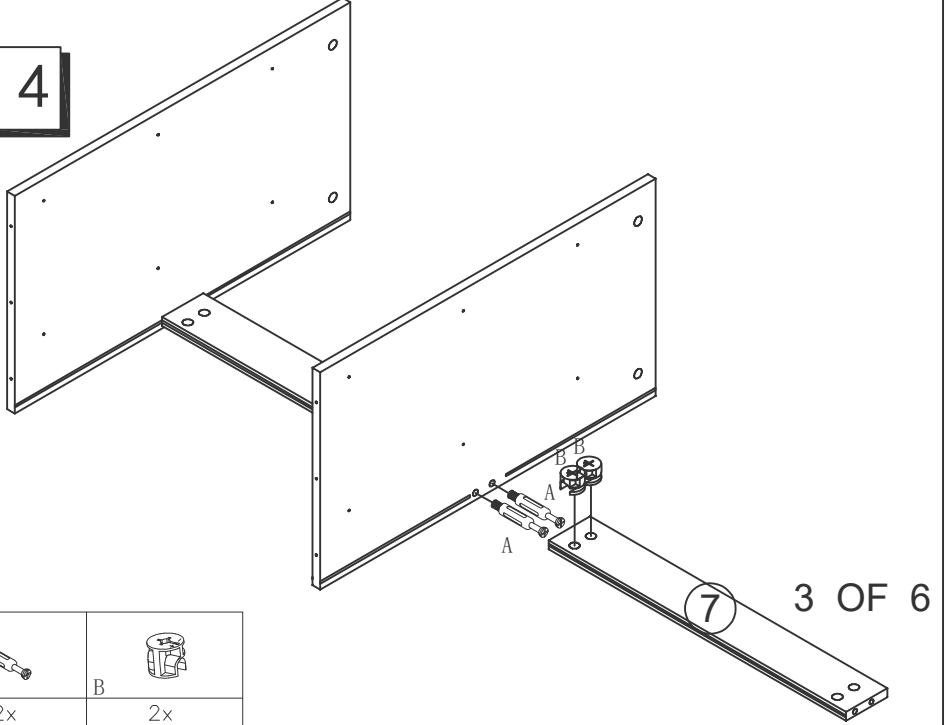
	
A 2x	B 2x



3



	
A 2x	B 2x

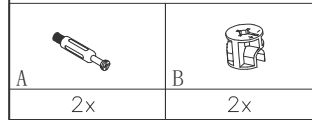
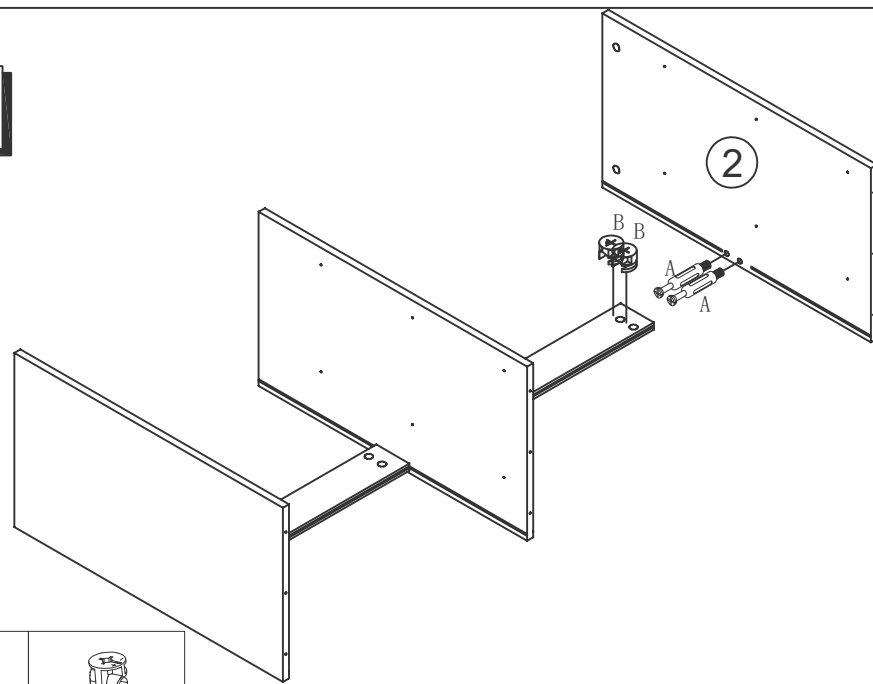
4



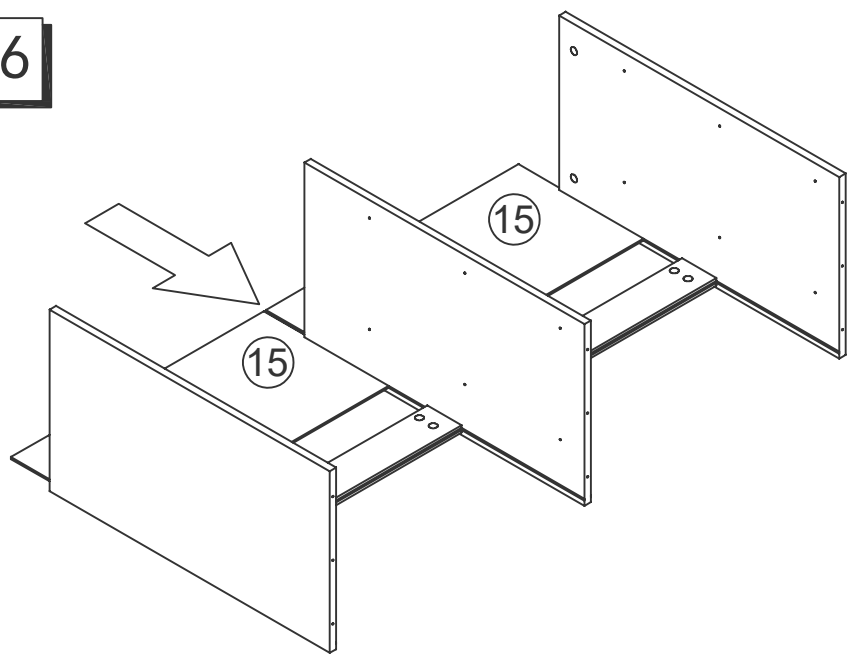
	
A 2x	B 2x

3 OF 6

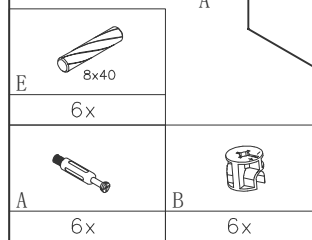
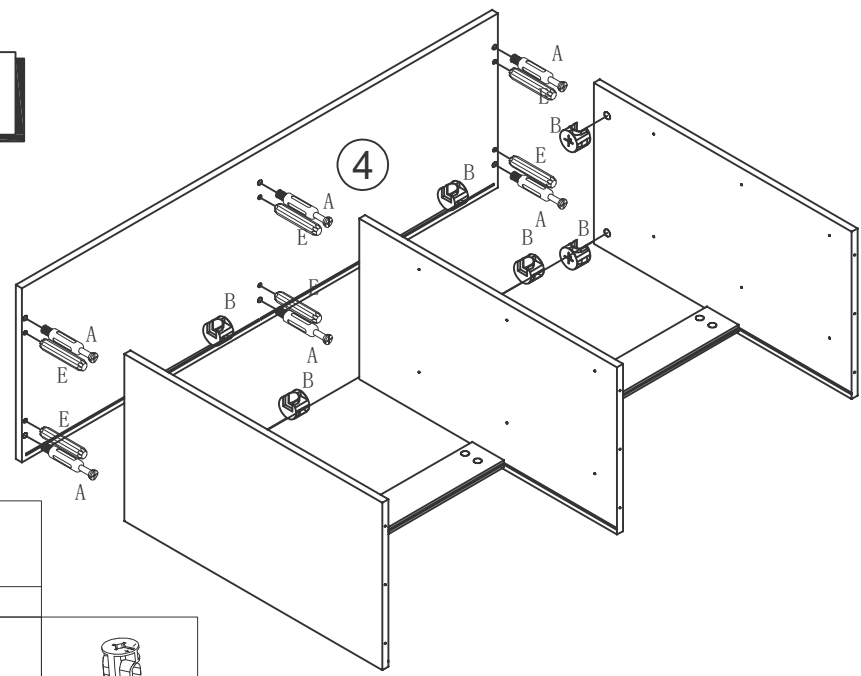
5



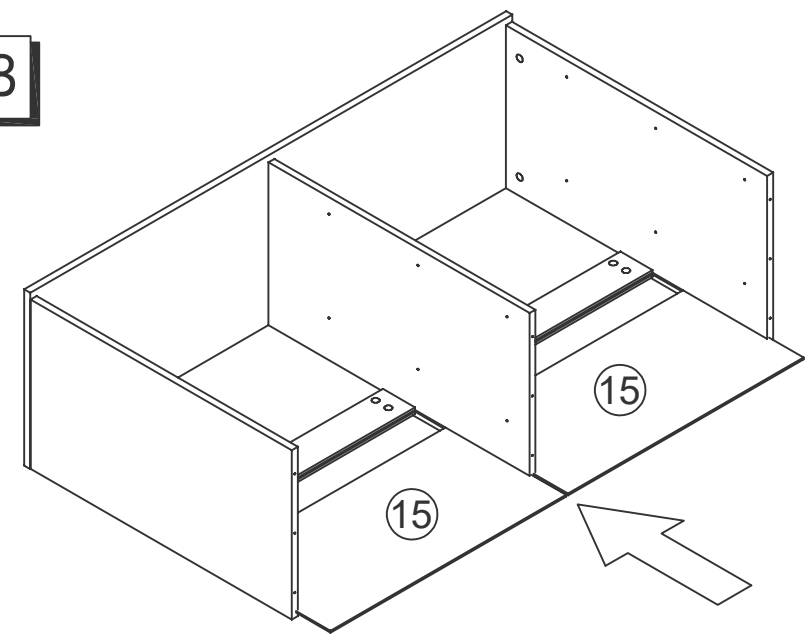
6



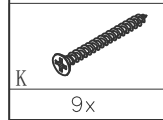
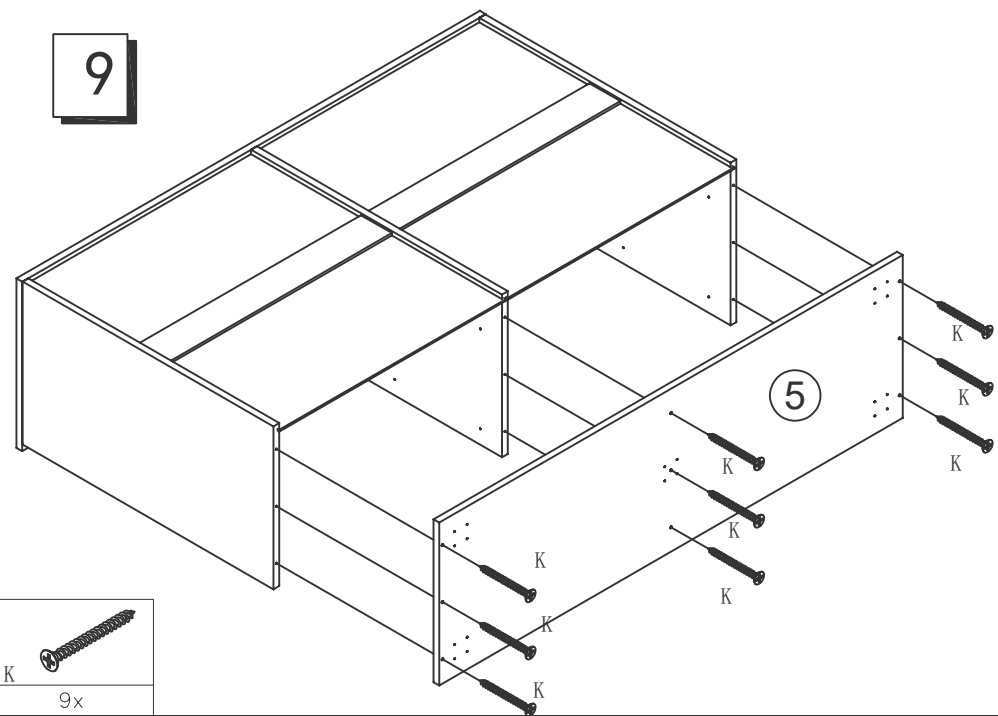
7



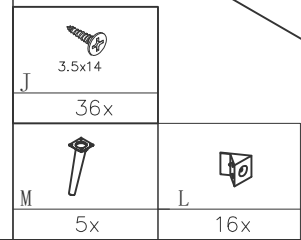
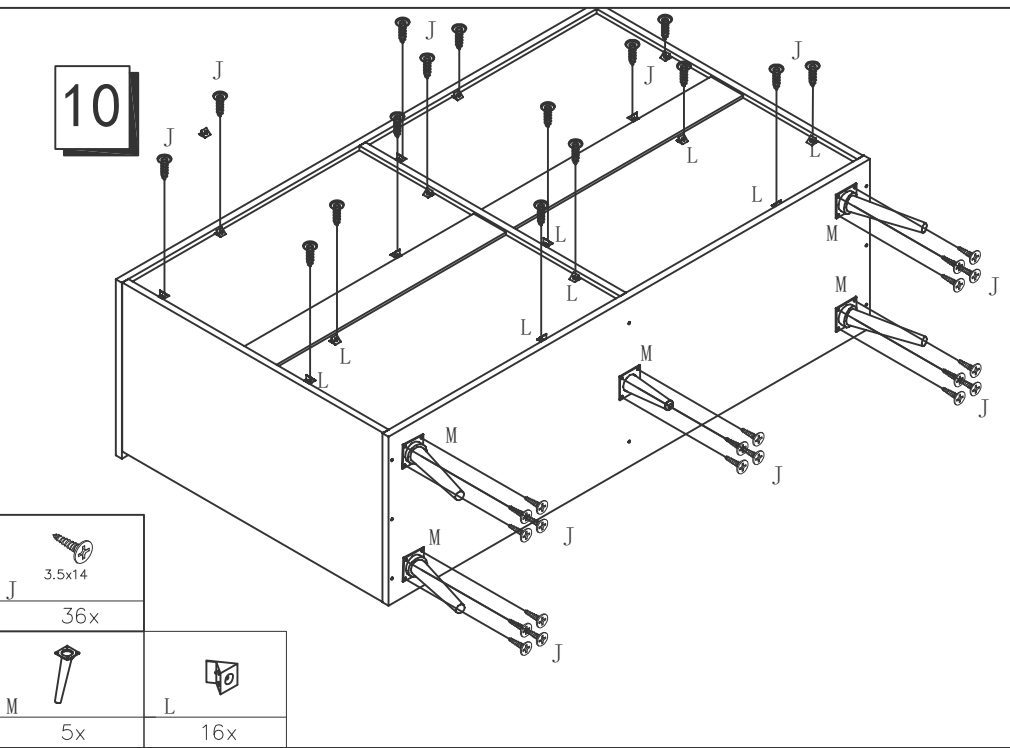
8



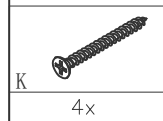
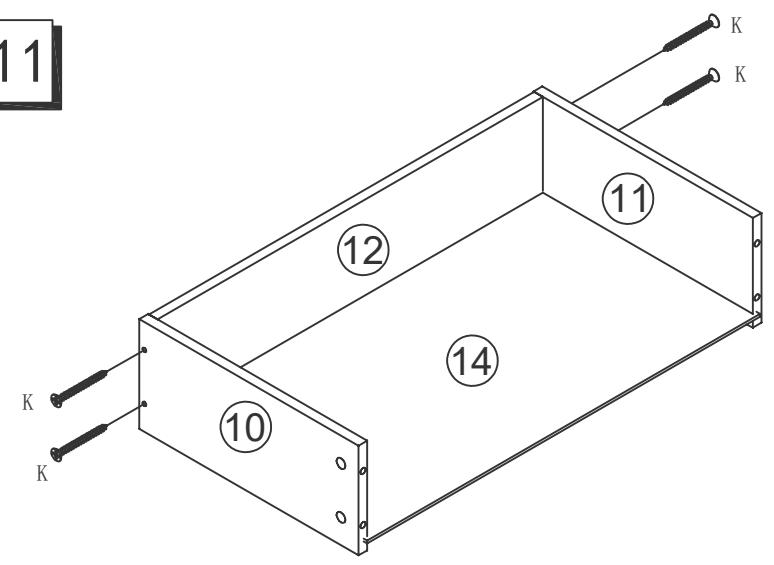
9



10

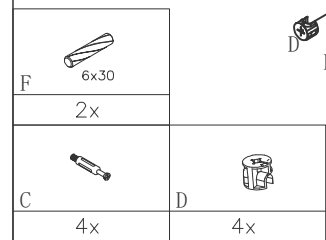
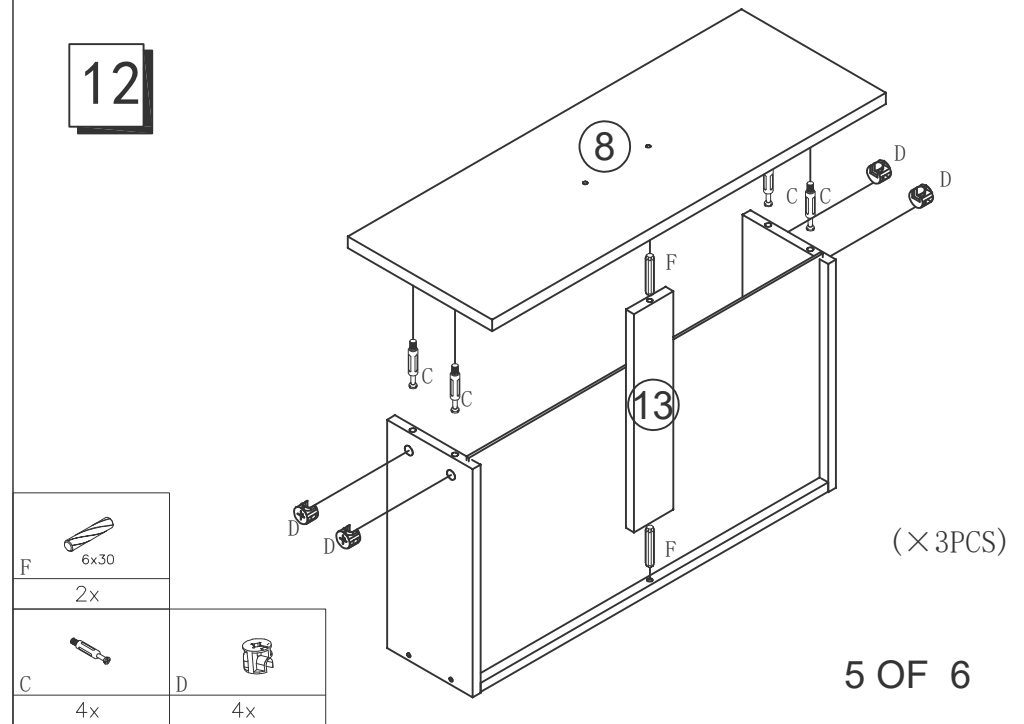


11



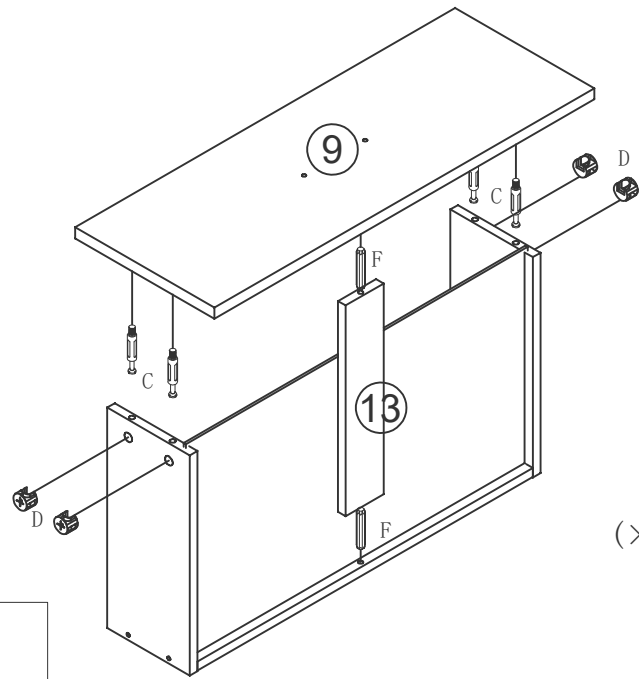
12

(×6PCS)



(×3PCS)

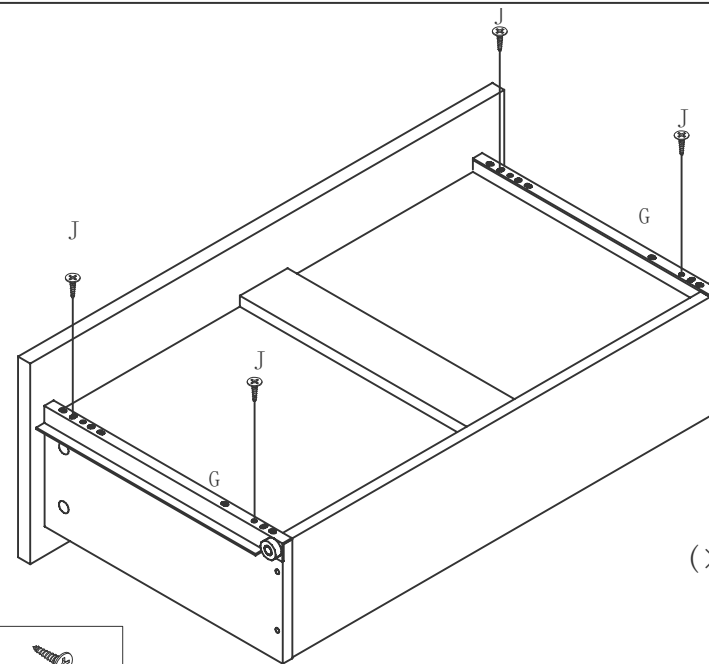
13



(× 3PCS)

F	6x30		
	2x		
C		D	
	4x		4x

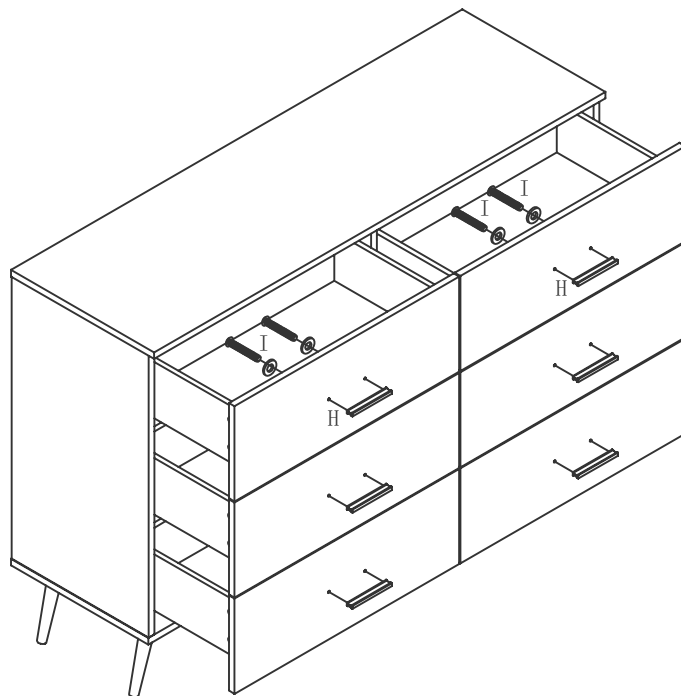
14



(× 6PCS)

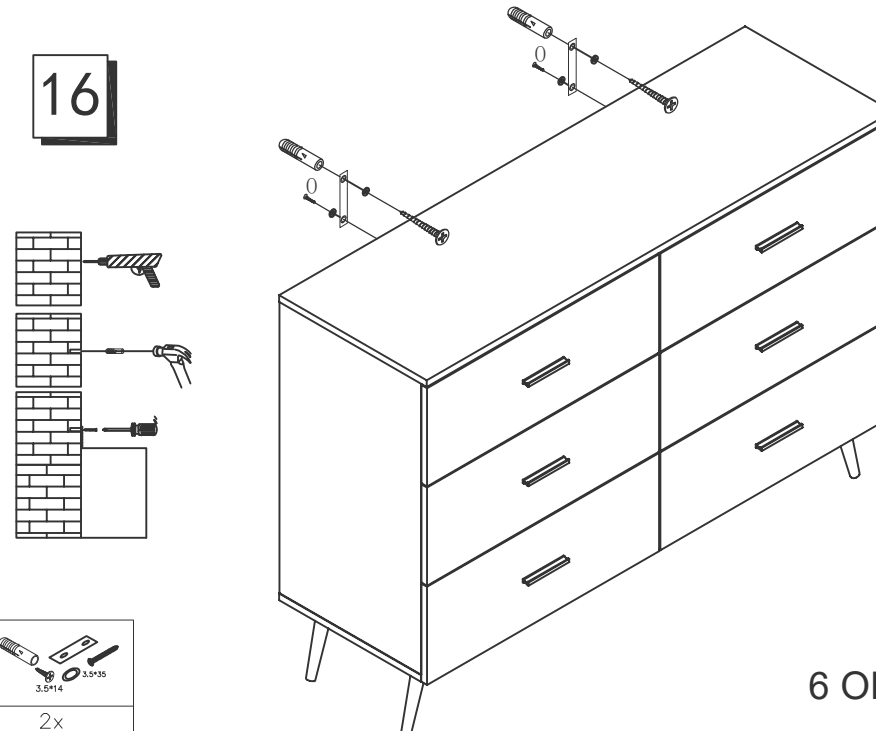
G		J	
	6x		3.5x14
			24x

15



I			
	12x		
H			
	6x		

16



O			
	3.5x14		3.5x35
			2x

6 OF 6