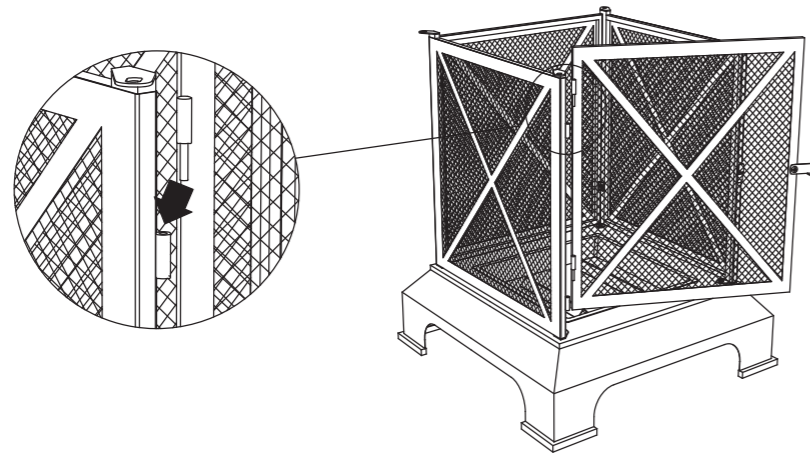
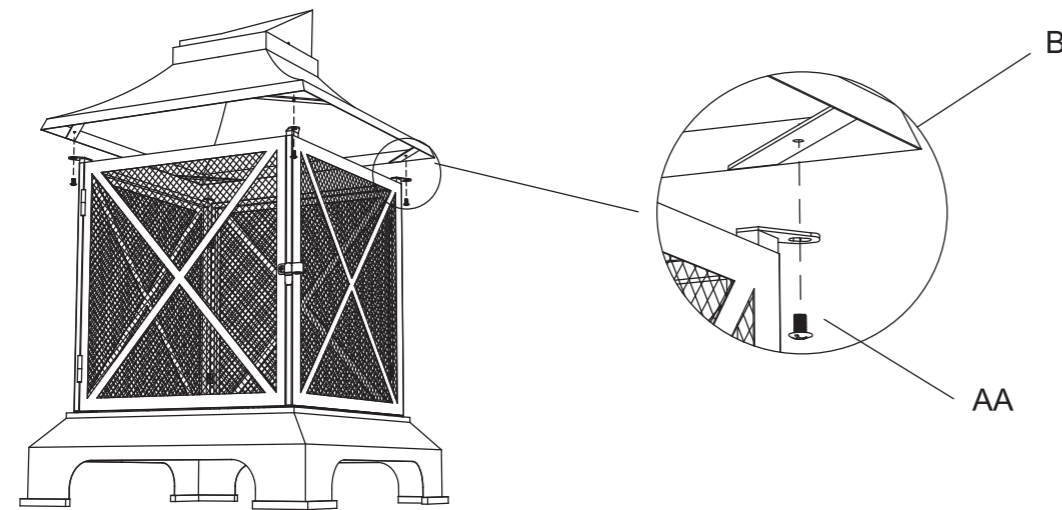


Step 5: Slide the hinge of Door (G) to Side Screen (E). Tighten all the bolts at this step.



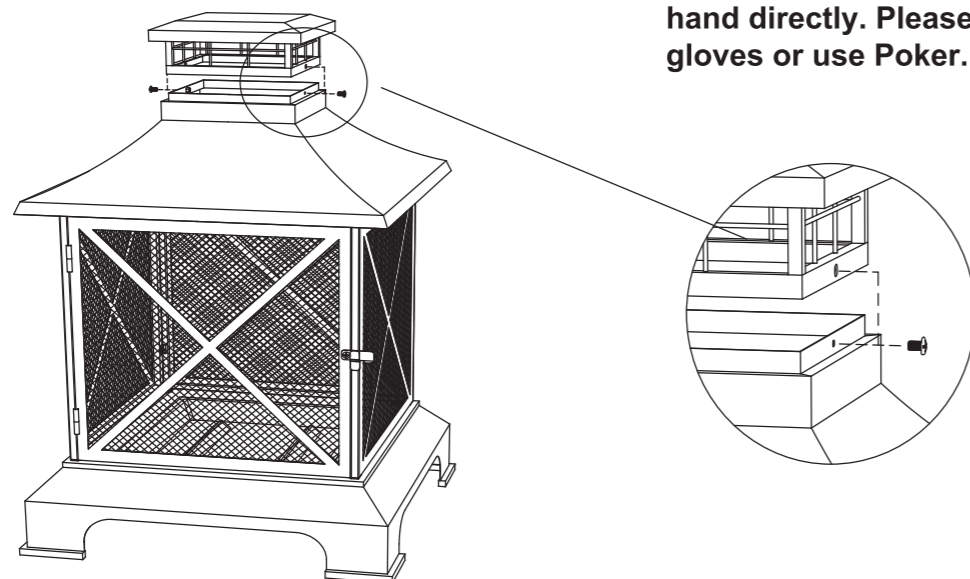
Step 6: Connect the Chimney (B) to the base by using M6X10mm Bolts(AA).



Step 7: Connect the Chimney Cover(A) to the Chimney Cover (B) by using M6X10mm Bolts(AA).

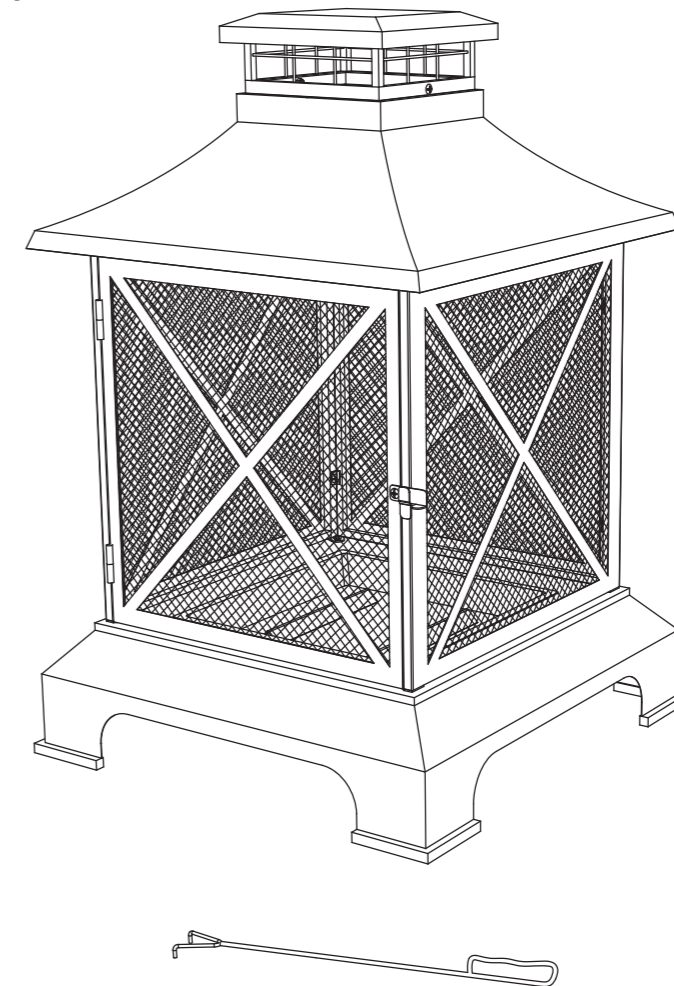
Now, The fire place is ready for use! Enjoy~

NOTE: DO NOT open the door by hand directly. Please wear gloves or use Poker.



Assembly Instruction

Item#: FP-90063

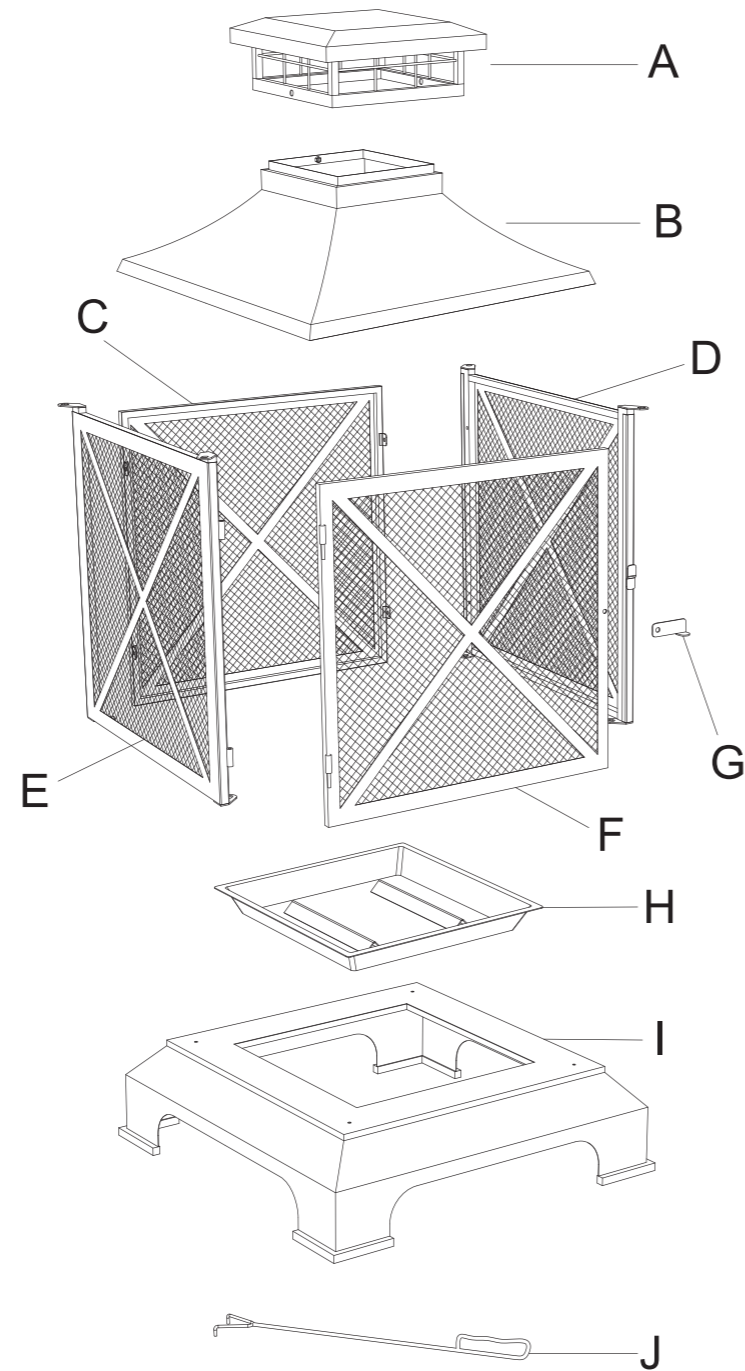


WARNINGS:

- This fire place is intended for outdoor use only. Do not use on wooden decks.
- This fire place is intended to burn wood logs only. Do not burn coal, leaves, or other combustible materials in the fire place.
- Not for use by children. Keep children and pets away from the fire place.
- The fire place is hot. Use with caution. Do not touch the hot fire place with bare hands.
- Never leave the burning fire place unattended, and always extinguish the fire completely before leaving the fire place.
- Do not use near flammable or combustible objects or materials.
- When the fire place is in use, the handle on the mesh screen can reach extreme temperatures that can cause serious injury to an unprotected hand. Use a poker or an appropriate heat resistant glove or pad when handling.
- Check local fire regulations and municipal by-laws for safe use.
- Some parts may contain sharp edges—especially as noted in the manual. Wear protective gloves if necessary.
- Fuels used in wood or charcoal burning appliances, and the products of combustion of such fuels, can expose you to chemicals including carbon black, which is known to the State of California to cause cancer, and carbon monoxide, which is known to the State of California to cause birth defects or other reproductive harm.
- For more information go to: www.P65Warnings.ca.gov

FIRE PLACE PARTS LIST

| No. | PARTS | Qty |
|-----|---------------|-----|
| A | Chimney Cover | 1 |
| B | Chimney | 1 |
| C | Back Screen | 1 |
| D | Right Screen | 1 |
| E | Left Screen | 1 |
| F | Door Screen | 1 |
| G | Door Handle | 1 |
| H | Fire Bowl | 1 |
| I | Base | 1 |
| J | Poker | 1 |

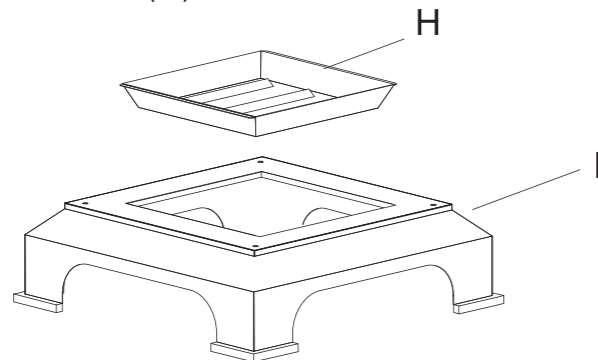


HARDWARE LIST

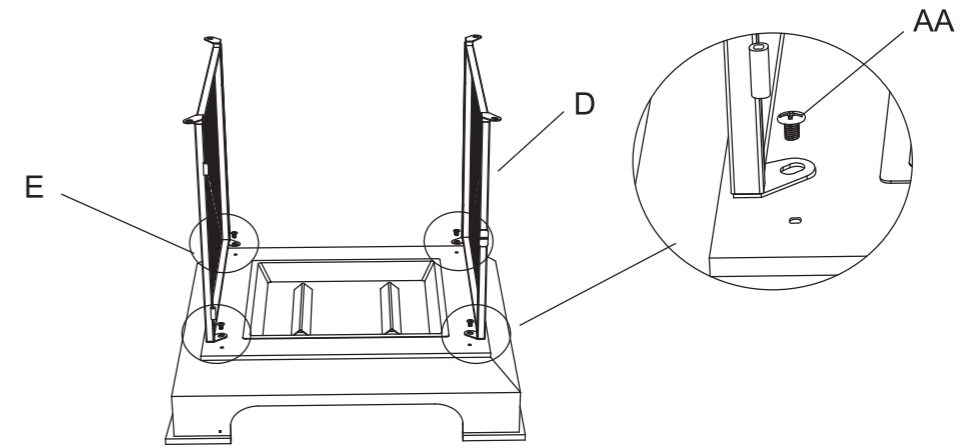
| No. | Hardware | Qty |
|-----|--------------|-----|
| AA | M6*10mm Bolt | 14 |
| BB | M6*20mm Bolt | 1 |
| CC | M6 Nut | 1 |

Step By Step Assembly Instructions:

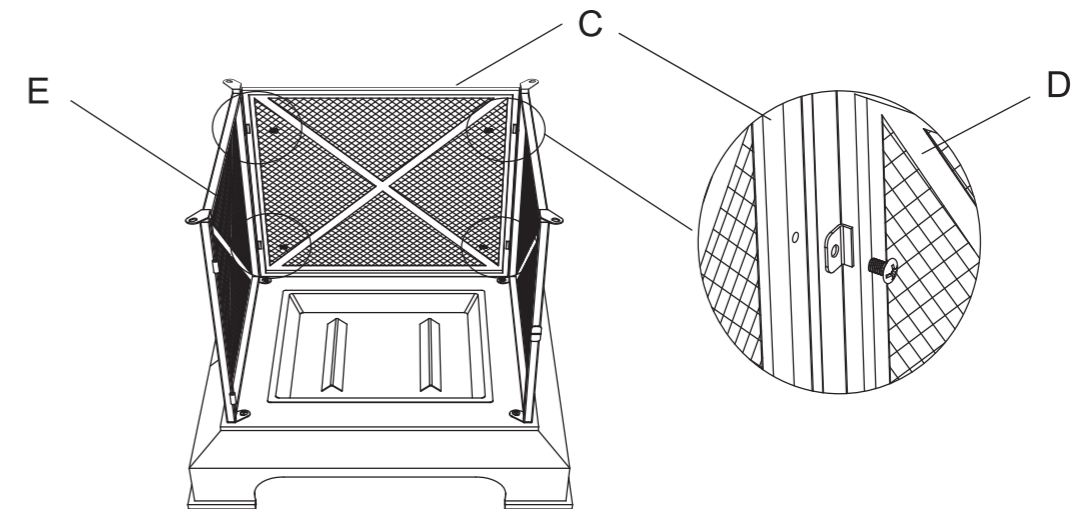
Step 1: Put fire bowl (L) to the base (M).



Step 2: Attached the Screen (D) And (F) to the Based (I) by using M6X10mm(AA) Bolts, Please DO NOT tighten the hardware at this time.



Step 3: Attached the Back Screen (C) with Side Panel (D) and (E) by using M6X10mm Bolts (AA). DO NOT tighten the bolts at this step.



Step 4: Connect the Handle (G) on the Door Panel (F) by using M6 X 20 mm Bolts (BB) and Nut (CC).

