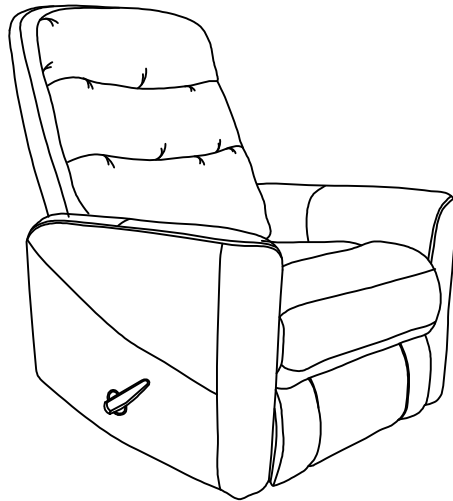
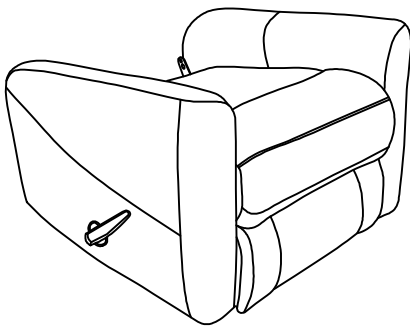


# ASSEMBLY INSTRUCTIONS

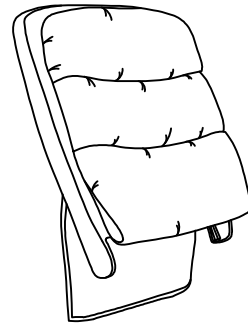
## KR23930



### PARTS

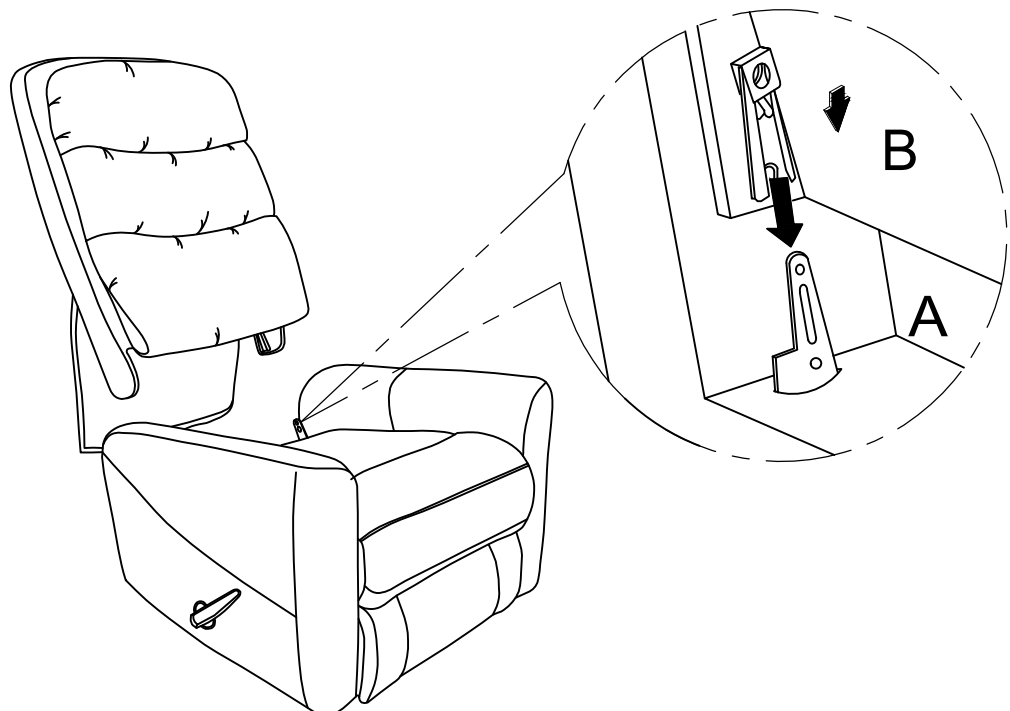


**A . SEAT BASE**  
QTY:1PC



**B . BACK CUSHION**  
QTY:1 PC

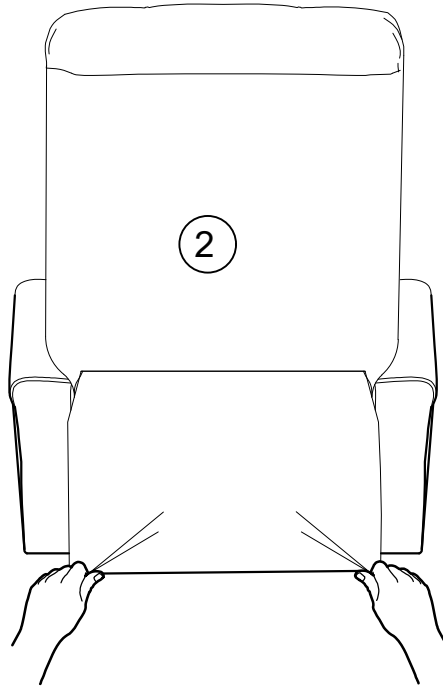
### STEP 1 :



# ASSEMBLY INSTRUCTIONS

## KR23930

### STEP 2 :



### STEP 3:

