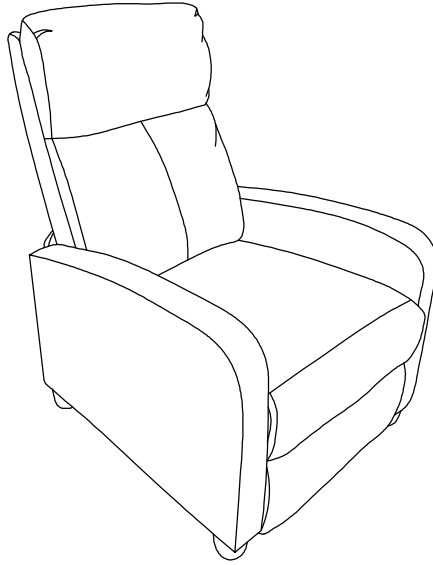
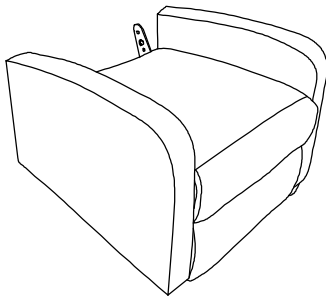


ASSEMBLY INSTRUCTIONS

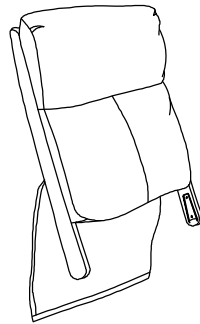
W2121P147604



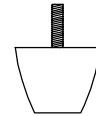
PARTS



A . SEAT BASE
QTY:1PC

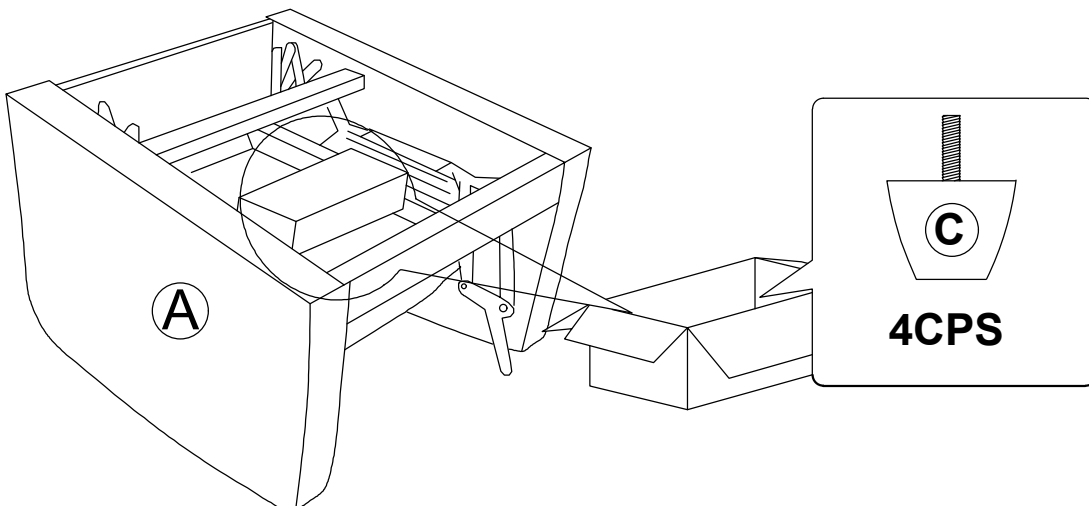


B . BACK CUSHION
QTY:1 PC



C . LEGS
QTY:4

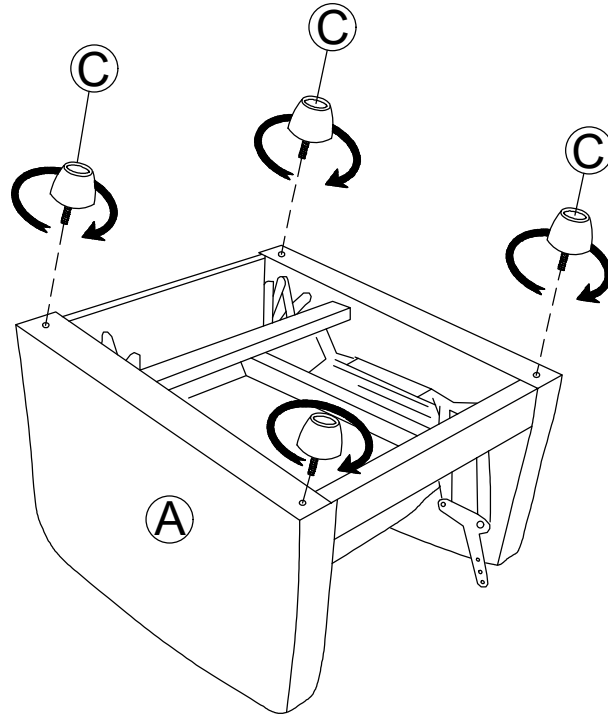
**STEP 1 :TAKE THE POWER ADAPTOR , WIRED CONTROLLER
AND LEGS CONTAINER UNDER THE SEAT BASE**



ASSEMBLY INSTRUCTIONS

W2121P147604

STEP 2 : TWIST THE LEGS INTO THE SEAT BASE UNTIL SECURE.



STEP 3: ATTACH THE BACK CUSHION ONE AT A TIME TO THE SEAT BASE BY ALIGNING THE METAL BRACKETS AND PUSHING THEM DOWN UNTIL YOU HEAR A CLICK SOUND.

