
Operator's Manual



▲ WARNING : Read, understand and follow all Safety Rules and Operating Instructions in this Manual before using this product.

DESCRIPTION OF THE SYMBOLS

The use of symbols in this manual is intended to draw your attention to possible risks. The safety symbols and the explanations that accompany them must be perfectly understood. The warnings in themselves do not remove the risks and cannot replace correct actions for preventing accidents.



This symbol, before a safety comment, indicates a precaution, a warning or a danger. Ignoring this warning can lead to an accident for yourself or for others. To limit the risk of injury, fire, or electrocution always apply the recommendations indicated.



Read the operator's manual.

Before any use, refer to the corresponding paragraph in the present manual.



This class II symbol indicates that the product is correctly insulated. Grounding this machine is therefore unnecessary.



Wear eye and ear protection



Keep bystanders away



Warning-Beware of sharp tines, keep fingers and toes away.

Remove plug from mains before maintenance, adjusting, cleaning or if the cord is entangled or damaged.

Tines continue to rotate after the motor is switched off



Keep supply flexible cord away from tines.



Do not use this product in the rain or leave outdoors while it is raining



Warning-Beware of sharp tines, keep fingers and toes away



Tines continue to rotate after the motor is switched off.

IPX4

Degree of protection against water: IPX4.



The crossed-out wheeled bin symbol indicates that the item should be disposed of separately from household waste. The item should be handed in for recycling in accordance with local environmental regulations for waste disposal. By separating a marked item from household waste, you will help reduce the volume of waste sent to incinerators or land-fill and minimize any potential negative impact on human health and the environment.

SAFETY INSTRUCTIONS

IMPORTANT READ CAREFULLY BEFORE USE KEEP FOR FUTURE REFERENCE

Never allow children, persons with reduced physical, sensory or mental capabilities or lack of experience and knowledge or people unfamiliar with these instructions to use the machine.

Children should not play with the appliance

If the supply cord is damaged, it must be replaced by

Motor does not start	Check the cable
	Check the switches and seek repairs if necessary;
	Connections may have disconnected. Contact service
	Housing may be clogged. Clean the housing or adjust working depth.
Engine performance drops	Soil may be too firm. Change working depth;
	Housing may be clogged. Clean as necessary;
	Roller may be worn. Replace with a suitable replacement.
Imprecise scarifying results	Roller may be worn. Replace with a suitable replacement;
	Wrong working depth. Adjust accordingly.
Motor is running but roller is not rotating	Tooth belt is worn. Contact service

The appliance should be stored in a dry and clean room and out of reach of children.

During extended periods of storage, during the winter for example, ensure that the application is protected against corrosion and frost.

At the end of the season, or if the application is not to be used for longer than a month:

- Clean the application.
- Wipe over all metal surfaces with an oil-impregnated cloth to protect them from corrosion (non-resinous oil), or spray a fine coat of oil onto them from a can.
- Fold the Push Bar down, and store it in a suitable place.

TROUBLE SHOOTING

Breakdown service

The following table shows the types of breakdowns and indicates how you can correct it if your machine does not function correctly. If in spite of this, you do not manage to locate the problem and solve it, contact your after-sales service.

Caution: Before starting troubleshooting, stop the appliance and disconnect the power plug.

PROBLEM	SOLUTION
---------	----------

the manufacturer, its service agent or similarly qualified persons in order to avoid a hazard.

Safety operating practices for scarifiers / aerators

1- Training

- a) Read the instructions carefully. Be familiar with the controls and the correct use of the equipment.
- b) Never allow children or people unfamiliar with these instructions to use the machine. Local regulations can restrict the age of the operator.
- c) Keep in mind that the operator or user is responsible for accidents or hazards occurring to other people or their property.

2- Preparation

- a) Wear ear protection and safety glasses at all times while operating the machine.
- b) Before use check the supply and extension cord for signs of damage or aging, if the cord becomes damaged during use, disconnect the cord from the supply immediately. **DO NOT TOUCH THE CORD BEFORE DISCONNECTING THE SUPPLY.** Do not use the machine if the cord is damaged or worn.
- c) While operating the machine always wear substantial footwear and long trousers. Do not operate the machine when barefoot or wearing open sandals. Avoid wearing clothing that is loose fitting or that has hanging cords or ties.

-
- d) Thoroughly inspect the area where the equipment is to be used and remove all objects which can be thrown by the machine.
 - e) Operate the machine in a recommended position and only on a firm, level surface.
 - f) Do not operate the machine on a paved or gravel surface where ejected materials could cause injury.
 - g) Before starting the machine, check that all screws, nuts, bolts, and other fasteners are properly secured and that guards and screens in place. Replace damaged or unreadable labels.
 - h) Never operate the machine while people, especially children, or pets are nearby.

3-Operation

- a) Operate the machine only in daylight or in good artificial light.
- b) Avoid operating the machine in wet grass.
- c) Always be sure of your footing at all times, especially on slopes.
- d) Walk, never run.
- e) Mow across the face of slopes, never up and down.
- f) Exercise extreme caution when changing direction on slopes.
- g) Do not scarify or aerate excessively steep slopes.
- h) Use extreme caution when reversing or pulling the machine towards you.
- i) Stop the tines if the machine has to be tilted for

MAINTENANCE

When the machine is stopped for servicing, inspection, storage, or to change an accessory, shut off the power source, disconnect the machine from the power supply, and make sure that all moving parts have come to a complete stop. Allow the machine to cool before making any inspections or adjustments and before storing.

Maintain the machine with care and keep it clean.

Keep all nuts, bolts and screws tight to be sure the equipment is in safe working condition.

Check the Grass Basket frequently for wear or deterioration.

Prior to each time the appliance is used

- Check the connecting cable for signs of damage or ageing. Replace the cable if it is cracked, split or otherwise damaged.
- Check the condition of the roller, and ensure that all threaded connections are securely tightened.
- If the rollers are worn, take it to a specialist workshop for repair if necessary.

CAUTION: When servicing the Roller assembly, be aware that, even though the power source is switched off, the tine assembly can still be moved.

STORING

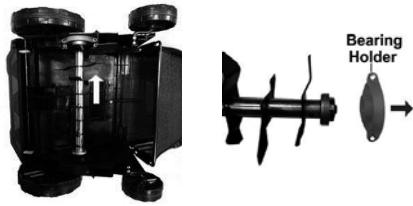


Fig.9

1. Replace the roller and insert the bearing into the bearing holder, then aligning the roller with the exposed pins on the body and slotting into place(Fig.10).

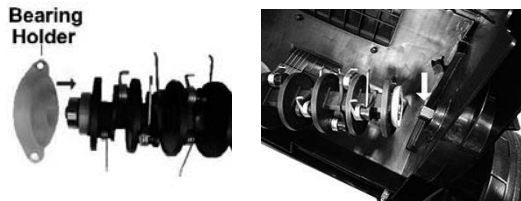


Fig.10

2. Secure the Roller back onto the body by re-inserting and re-tightening the hex bolts(Fig.11). When firmly in place, gently upright the Aerator/Scarifier before turning the appliance on to use again.



Fig.11

transportation when crossing surfaces other than grass, and when transporting the machine to and from the area to be used.

- j) Never operate the machine with defective guards or shields, or without safety devices, for example deflectors and/or grass collector, in place.
- k) Switch on the motor carefully according to instructions and with feet well away from the tines.
- l) Keep supply and extension cord away from tines.
- m) Do not tilt machine when switching on the motor, except if the machine has to be tilted for starting. In this case, do not tilt more than absolutely necessary and lift only the part which is away from the operator. Always ensure that both hands are in the operating position before returning the machine to the ground.
- n) Do not transport the machine while the power source is running.
- o) Do not put hands or feet near or under rotating parts. Keep clear of the discharge opening at all times.
- p) Stop the machine, and remove plug from the socket. Make sure that all moving parts have come to a complete stop:
 - 1) Whenever you leave the machine.
 - 2) Before clearing blockages or unclogging chute.
 - 3) Before checking, cleaning or working on the machine.
 - 4) After striking a foreign object. Inspect the machine for damage and make repairs before restarting and

operating the machine.

If the machine starts to vibrate abnormally (check immediately)

- 5) Inspect for damage.
- 6) Replace or repair any damaged parts.
- 7) Check for and tighten any loose parts.

4- Maintenance and storage

- a) Keep all nuts, bolts and screws tight to be sure the equipment is in safe working condition.
- b) Check the debris collector frequently for wear or deterioration.
- c) Replace worn or damaged parts for safety.
- d) On machines with multiple tine assemblies, take care as rotating one tine assembly can cause another tine assembly to rotate.
- e) Be careful during adjustment of the machine to prevent entrapment of the fingers between moving tine assemblies and fixed parts of the machine.
- f) Always allow the machine to cool down before storing.
- g) When servicing the tine assembly be aware that, even though the power source is switched off, the tine assembly can still be moved.
- h) Replace worn or damaged parts for safety. Use only genuine replacement parts and accessories.
- i) When the machine is stopped for servicing, inspection, or storage, or to change an accessory, shut off the power source, disconnect the machine

To Change position of lever, lift and pull into position as shown in the Fig.7.

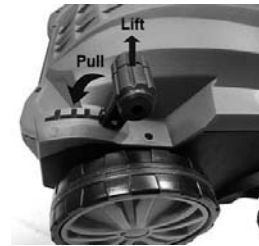


Fig.7

CHANGING THE ROLLERS

Before changing the Rollers. Firstly ensure that the appliance is switched off, disconnected from the mains power supply and that all moving parts have come to a complete stop. Remove the hex bolts using the allen key(Fig.8).



Fig.8

Pull away the Roller along the direction of arrow(Fig.9) and then remove the Roller. Take off the roller from the bearing holder, clean and store the roller safely for future use.

CAUTION: Before removing the Grass Basket, ensure you have switched off the motor and wait until the Roller has come to a complete stop.

TO REMOVE THE GRASS BASKET.

Lift up the Ejector Flap with one hand, while unhooking the Grass Basket with the other.

HOW OFTEN TO SCARIFY YOUR LAWN.

This is based on how quickly your grass takes for re-growth and the hardness of the soil.

WARNING! Before you perform any repair or maintenance work on the machine, ensure that the cutting unit is not rotating and that the power supply is disconnected.

ADJUSTING THE DEPTH

The Scarifier depth is set with the adjustment mechanism. Pull the Scarifying Depth lever (8) in the direction indicated by the arrow and adjust to the required position (1/2/3/4). Make sure that the lever latches into place correctly.

1=scarifier depth 0.47 inch

2=scarifier depth 0.3 inch

3=scarifier depth 0.16 inch

4= Drive/Transport Position

form the supply and make sure that all moving parts are come to a complete stop. Allow the machine to cool before making any inspections, adjustments, etc. Maintain the machine with care and keep it clean.

j) Store the machine out of the reach of children.

5- Recommendation

- a) The machine should be supplied via a residual current device (RCD) with a tripping current of not more than 30 mA.
- b) Avoid using the machine in bad weather conditions especially when there is a risk of lightning.
- c) When using the extension cord must not be lighter/thinner than the used cable (H05VV-F), whose section is not less than 1.0 mm².

INTENDED USE

Only operate the Aerator/Scarifier for its intended purpose and within the parameters specified in this manual.

This tool is intended for domestic use only. It is not for commercial use.

This tool is not intended for use in wet or damp conditions.

This tool is not intended for use by persons with reduced physical, sensory or mental capabilities, or lack of experience and knowledge, unless supervised or given appropriated instruction concerning the product's use by a person responsible for their safety.

This tool is not a toy and is not for use by children. Keep the tool, any attachment and its power cord out of reach.

TECHNICAL SPECIFICATIONS

Voltage:	120V ~ 60Hz
Power consumption	12A
Maximum speed	2984 min ⁻¹
Working width	13 inch
Working depth(Scarifier)	-12/-8/-4/4
Grass bag capacity	30L
Weight	20.50 LBS

An estimation of the level of exposure to vibration should also take into account the times when the tool is switched off or when it is running but not actually doing the job. This may significantly reduce the exposure level over the total working period.

Identify additional safety measures to protect the operator from the effects of vibration such as: maintain the tool and the accessories, keep the hands warm, organization of work patterns.

Fig.6

WARNING! Ensure that the motor is switched off and the cutting unit is not rotating before attempting to hook the Grass Basket onto the Scarifier.

OPERATION

CAUTION: To prevent accidental start-up of the equipment, the Push Bar is equipped with a Safety Lock-Off (2) which must be pressed before the ON/OFF Trigger lever (1) can be pressed. If the Trigger Lever is released, the tool will switch itself off. Repeat this process several times so that you are sure the machine functions properly.

WARNING! Never open the Ejector Flap (9) while the motor is running. A rotating cutting unit can cause injuries.

Always fasten the Ejector Flap carefully. The Flap flips back to the "closed" position by the tension springs.

Always ensure that a safe distance (provided by the long handles) is maintained between the user and the housing.

CAUTION: Be especially careful when scarifying and changing direction on slopes and inclines.

IMPORTANT: Remember to empty the Grass Basket regularly to maintain efficiency of the tool.

below onto the top push bar 12 and fix the unit using the two Phillips-head screws.

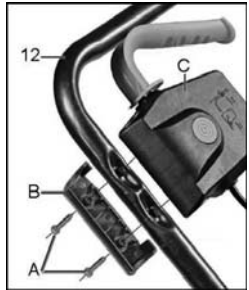


Fig. 4

ASSEMBLING THE GRASS BASKET.

To hang the Grass Basket on the Scarifier, we need:

1. Fit the rubber sleeve on the metal frame (Fig.5),



Fig.5

2. Lift the Ejector Flap (9) with one hand and, using the other hand. Take hold of the grass bag by the handle and hook it into the Scarifier from above (Fig.6).



LIST OF MAIN PARTS

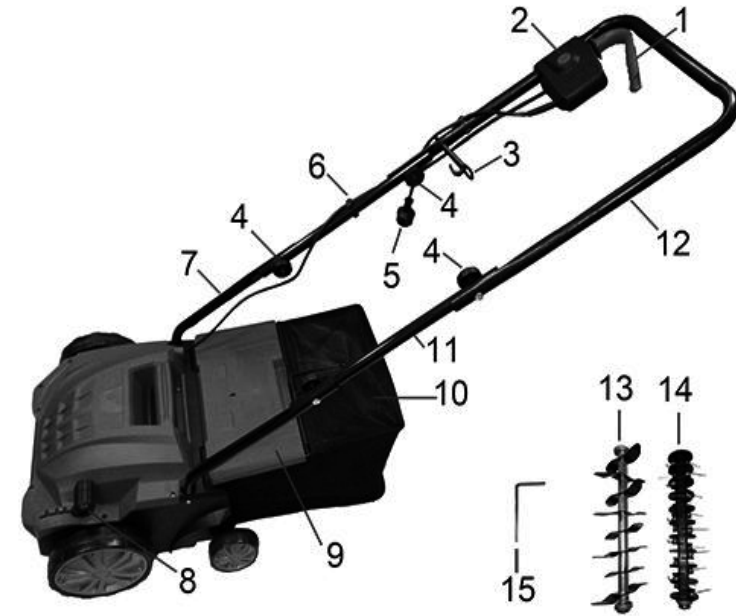


Fig 1.

- | | |
|---------------------------|----------------------|
| 1. ON/OFF Trigger Switch | 9. Ejector Flap |
| 2. Safety lock-off | 10. Grass Basket |
| 3. Cable Grip | 11. Middle Push Bar |
| 4. Quick Release Fastener | 12. Top Push Bar |
| 5. Power Cable | 13. Scarifier Roller |
| 6. Cable Clips | 14. Raker Roller |
| 7. Lower Push Bar | 15. Allen key |
| 8. Scarifying Depth lever | |

ASSEMBLY

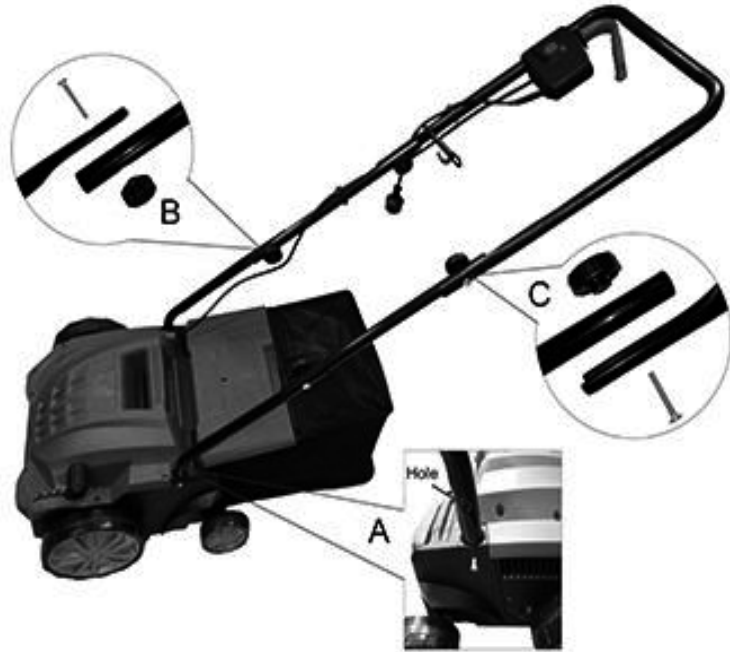


Fig. 2

The scarifier is delivered disassembled. The Grass Basket and the complete Push Bar must be assembled and mounted before using the Scarifier. Follow the operating instructions step-by-step.

ASSEMBLING THE PUSH BAR

Insert the lower Push Bar (7) into the slots on the body of the appliance and attach with screws provided. Ensure the

hole on the tube toward the outside and align with the screw (Fig. 2.A).

Attach the Middle Push Bar (11) to the lower Push Bar (7) using the Quick Release Fasteners (4) and screws. (Fig. 2.B)

Position and attach the Top Push Bar (12) to the Middle Push Bar (11) (Fig. 2.C). Attach the cable using the Cable Clips (6) provided.

Assembling the cable grip

- Slide the cable grip 3 with the clip facing upwards to the right bar of the top push bar.

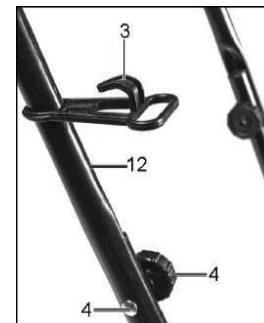


Fig. 3

Assembling the safety switch

- Loosen the Phillips-head screws A on the underside of the safety switch box C and remove the plate B.
- Insert the safety switch from above and the plate from