

MF-7001-1/2/3

INSTRUCTION MANUAL

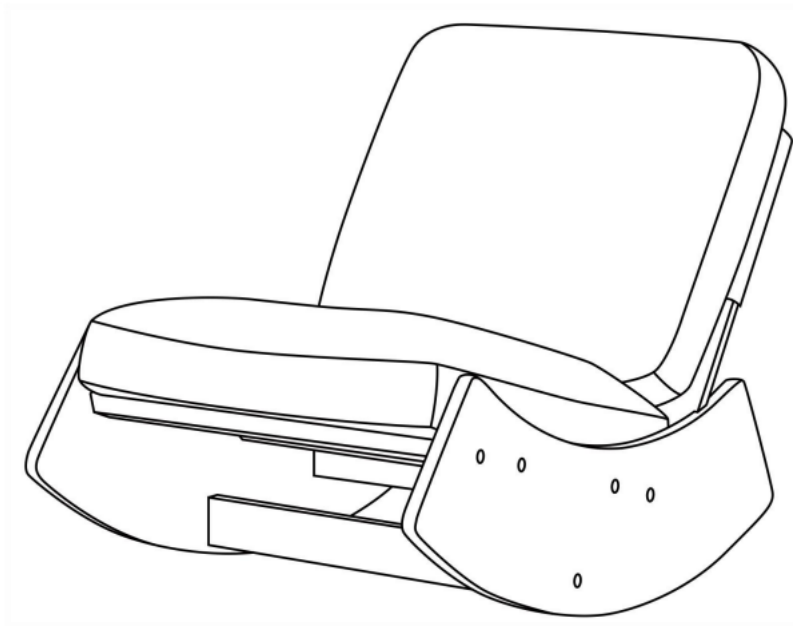
FITTINGS

A.  * 11

B.  * 11

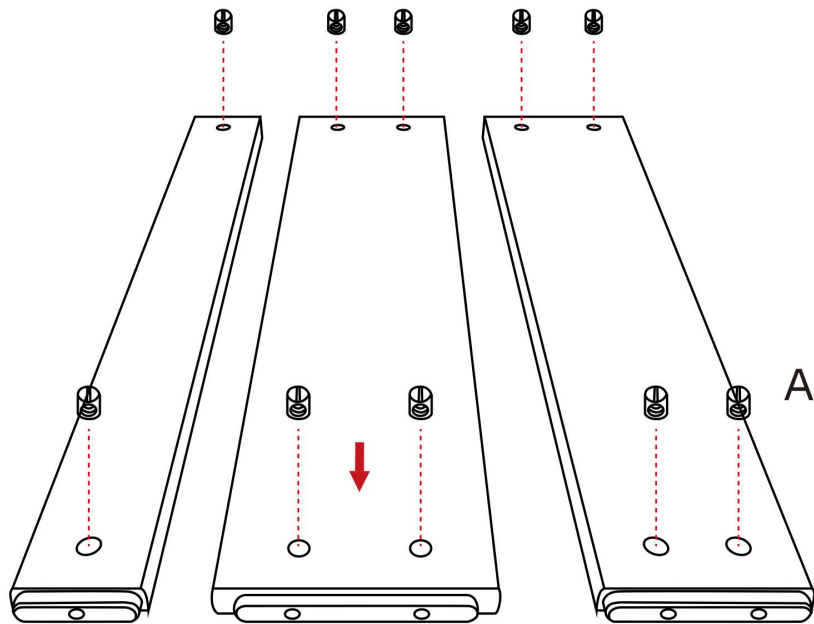
C.  * 1

ASSEMBLY ICON

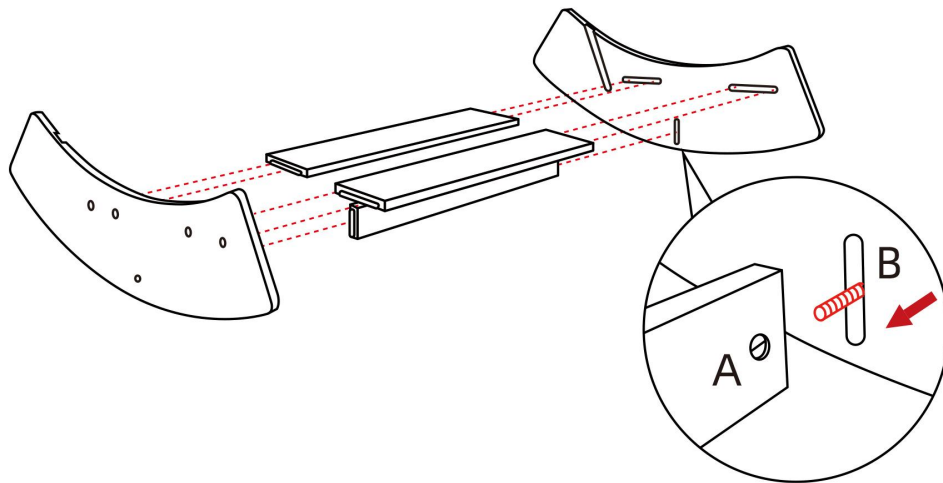


Tighten the product as shown in the figure above.

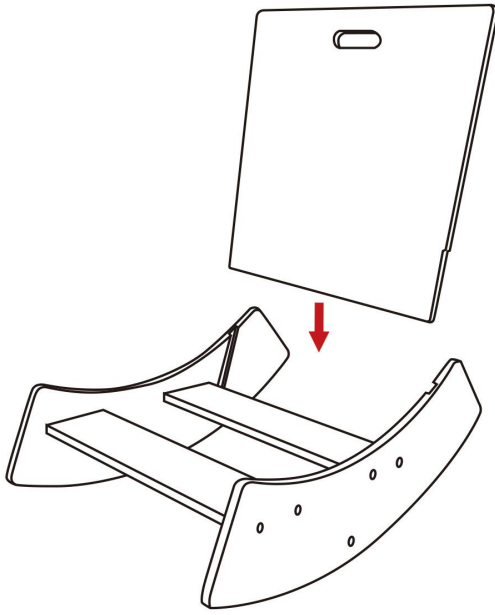




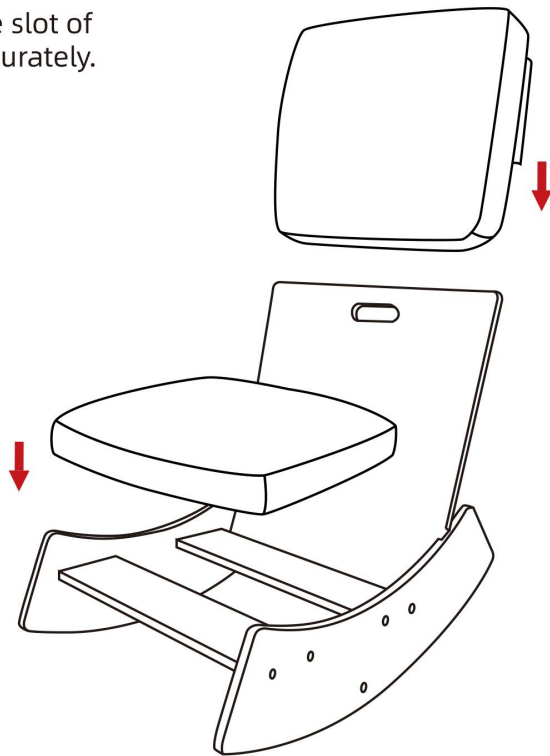
1、 Take out 3 wooden boards and press A into the holes on the boards



2、 Connect 2 wooden legs and 3 wooden batten together as shown in the diagram, with screws passing through the legs from the outside and screwing into the holes in the battens



3、 Gently insert the backrest into the slot of the wooden block, aligning it accurately.



4、 Place take the seat cushion gently on the seat, and insert the backrest cover into the backrest wood panel.