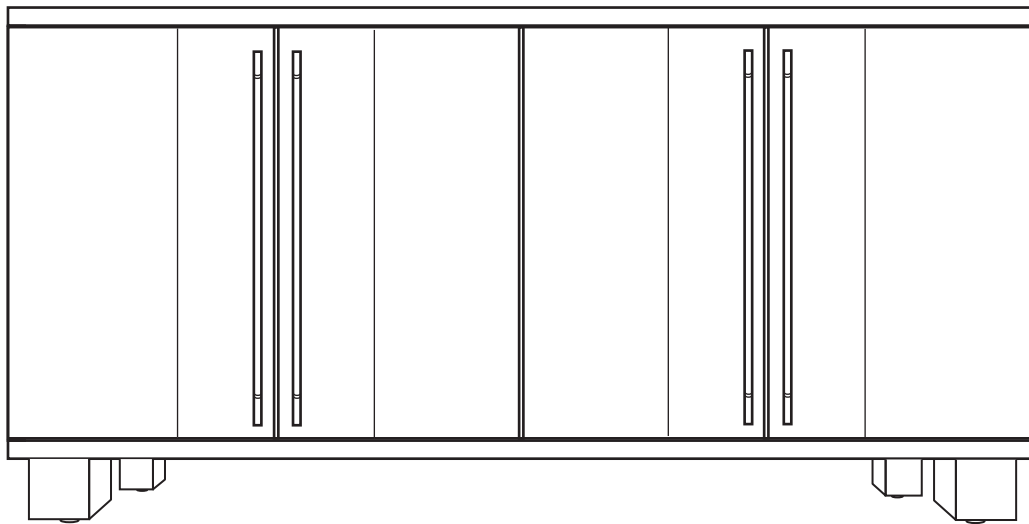


ASSEMBLY INSTRUCTION  
ITEM:WF317097  
SIDEBOARD



# ASSEMBLY INSTRUCTION

## ITEM:WF317097

Please read these instructions fully before starting assembly:

Tools required: Phillips screwdriver(medium & large)

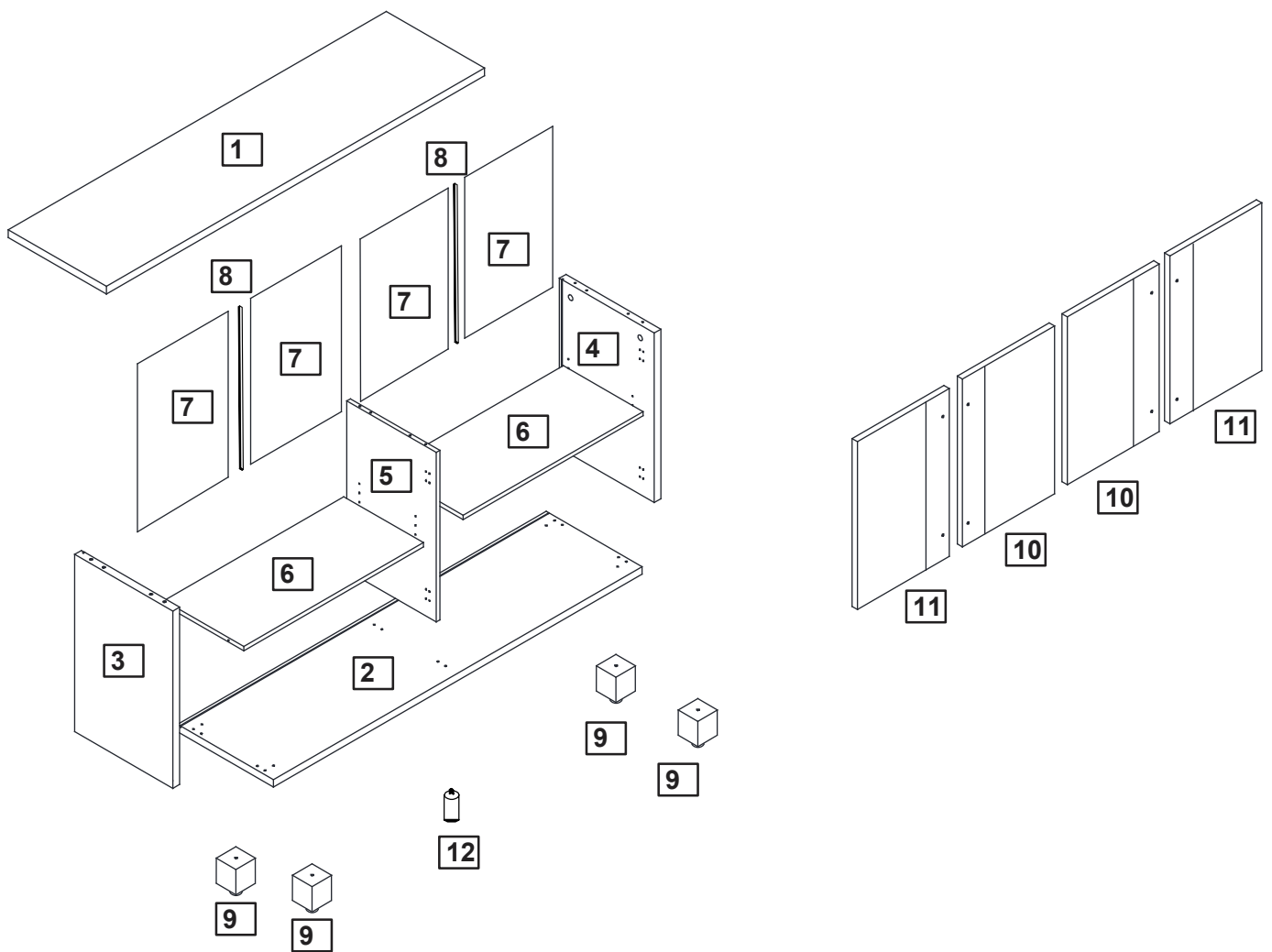
- 1.Check you have all the components and tools listed on the following pages.
- 2.Remove all fittings from the plastic bags and separate them into their groups.
- 3.Keep children and animals away from the work area, small parts could choke if swallowed.
- 4.Make sure you have enough space to layout the parts before starting.
- 5.During assembly do not stand or put weight on the product, this could cause damage.
- 6.Assemble the item as close to its final position (in the same room) as possible.
- 7.Assemble on a soft level surface to avoid damaging the unit or your floor.
- 8.Parts of the assembly will be easier with 2 people.
- 9.To reduce the likelihood of damaging your product please ensure that your power drill is set on a low torque setting.
- 10.Assemble all parts and bolts loosely during assembly, only once the product is complete should you fully tighten the bolts.
- 11.Regularly check and ensure That all bolts and fittings are tightend properly.
- 12.Please do not place items that exceed the load capacity.

### Care and maintenance

Only clean using a damp cloth and mild detergent, do no use bleach or abrasive cleaners.

# ASSEMBLY INSTRUCTION

## ITEM:WF317097

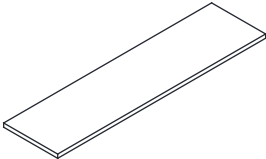
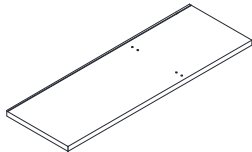


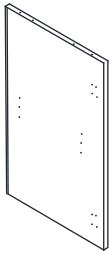
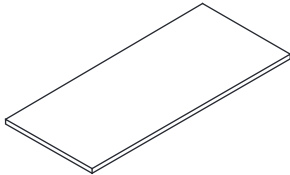

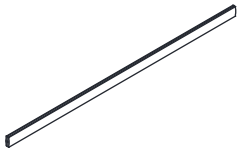
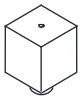
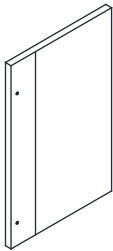

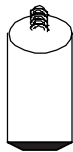


# Part List

## ITEM:WF317097

Please check you have all the panels listed below

**Note:** The quantities below are the correct amount to complete the assembly. In some cases more fittings may be supplied than are required.






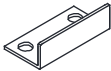



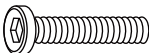
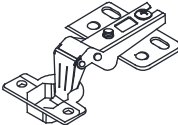
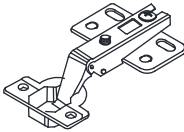

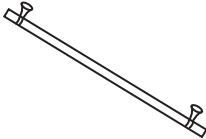

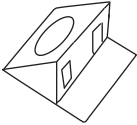
<p>①</p>  <p>Top Panel 1 PC</p>	<p>②</p>  <p>Bottom Panel 1 PC</p>	<p>③</p>  <p>Left Panel 1 PC</p>	<p>④</p>  <p>Right Panel 1 PC</p>
<p>⑤</p>  <p>Medial panel 1 PC</p>	<p>⑥</p>  <p>Center Shelf 2PCS</p>	<p>⑦</p>  <p>Center Shelf 4 PCS</p>	<p>⑧</p>  <p>Rear panel 2PCS</p>
<p>⑨</p>  <p>Foot 4 PCS</p>	<p>⑩</p>  <p>Door 2 PCS</p>	<p>⑪</p>  <p>Door 2 PCS</p>	<p>⑫</p>  <p>Neutral position 1 PC</p>

# Hardware list

## ITEM:WF317097

Please check you have all the panels listed below

**Note:** The quantities below are the correct amount to complete the assembly. In some cases more fittings may be supplied than are required.







<p><b>A</b></p>  <p>Male Camlock x 6</p>	<p><b>B</b></p>  <p>Female Camlock x 6</p>	<p><b>C</b></p>  <p>Dowel x 12</p>	<p><b>D</b></p>  <p>5*60mm Screw x 6</p>
<p><b>E</b></p>  <p>E x 1</p>	<p><b>F</b></p>  <p>collision x 2</p>	<p><b>G</b></p>  <p>3*14mm Screw x 12</p>	<p><b>H</b></p>  <p>H x 1</p>
<p><b>I</b></p>  <p>Shelf Support Pin x 8</p>	<p><b>J</b></p>  <p>8*45mm Screw x 4</p>	<p><b>K</b></p>  <p>Door Hinge x 4</p>	<p><b>L</b></p>  <p>Door Hinge x 4</p>
<p><b>M</b></p>  <p>4*16mm Screw x 48</p>	<p><b>N</b></p>  <p>Handle x 4</p>	<p><b>O</b></p>  <p>4*25mm Screw x 8</p>	<p><b>P</b></p>  <p>Plastic wedge x 8</p>

# Hardware list

## ITEM:WF317097

Please check you have all the panels listed below

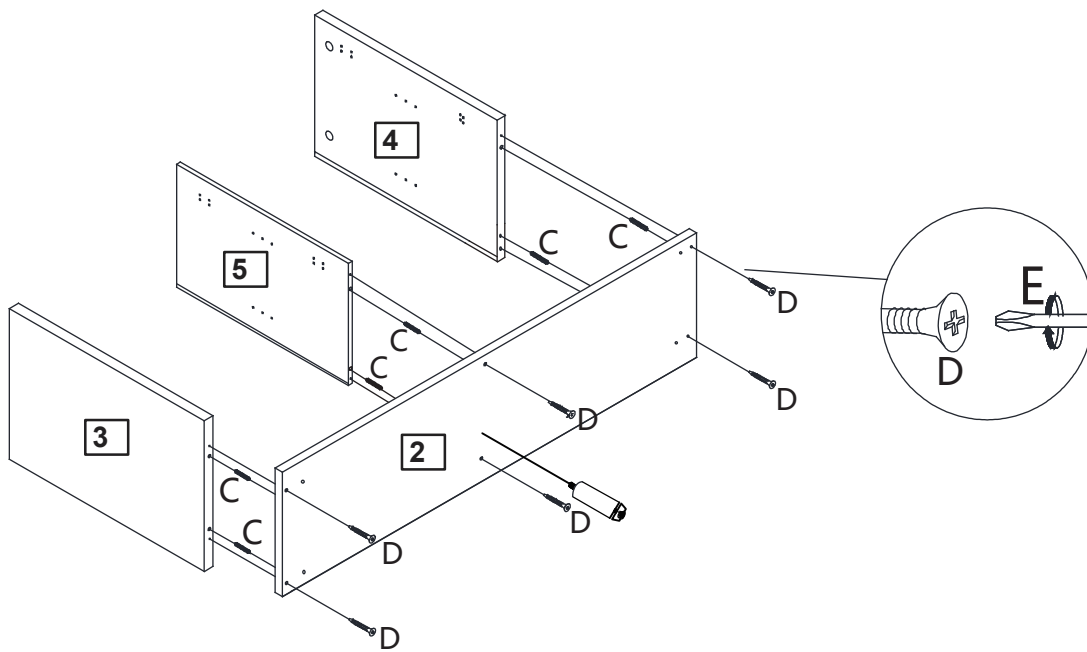
**Note:** The quantities below are the correct amount to complete the assembly. In some cases more fittings may be supplied than are required.

<p><b>Q</b></p>  <p>Q 1</p>  <p>Q 2 × 2</p>  <p>Q 3</p>  <p>Q 4</p>  <p>Q 5</p> <p>Wall Fixing Pack x 2</p>	<p><b>R</b></p>  <p>R x 4</p>
--	---

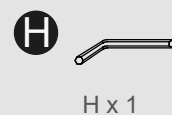
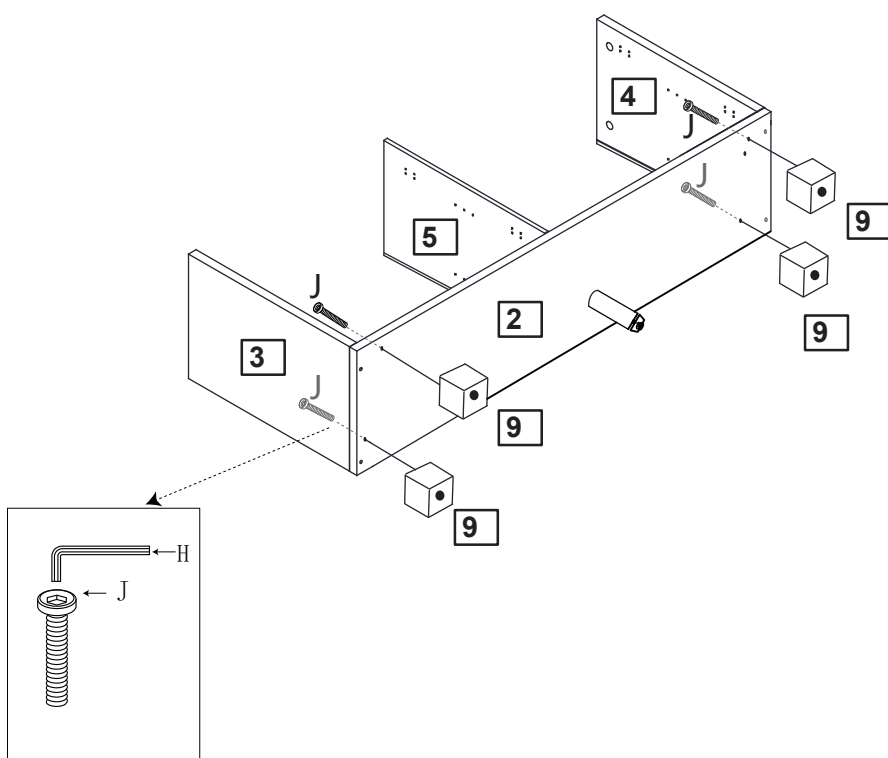
# ASSEMBLY INSTRUCTION

## ITEM:WF317097

### Step 1



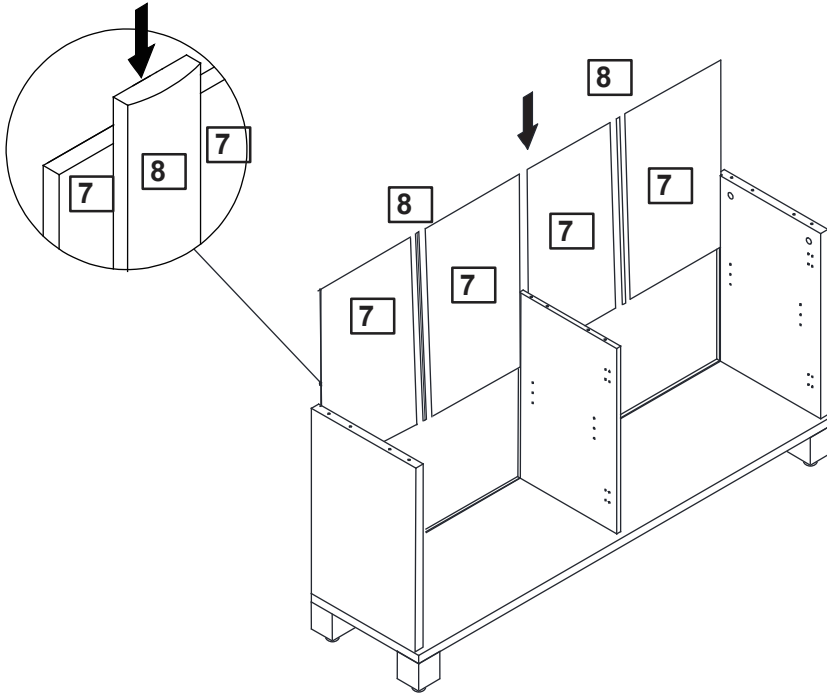
### Step 2



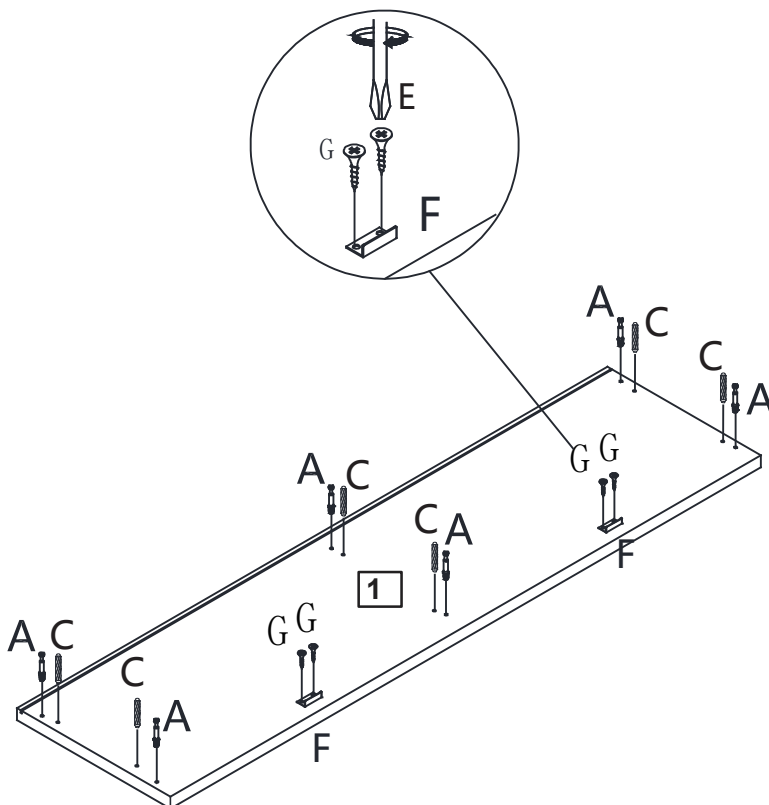
# ASSEMBLY INSTRUCTION

## ITEM:WF317097

### Step 3



### Step 4



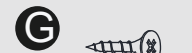
A x 6



C x 6



F x 2



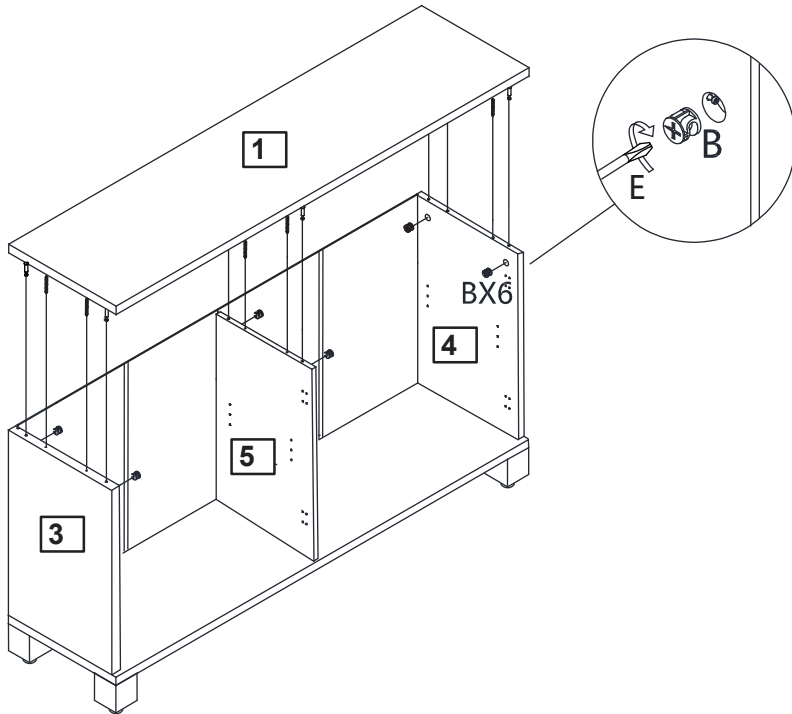
G x 4



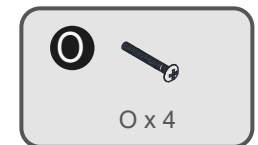
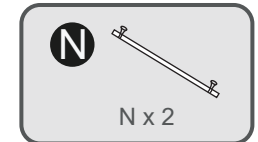
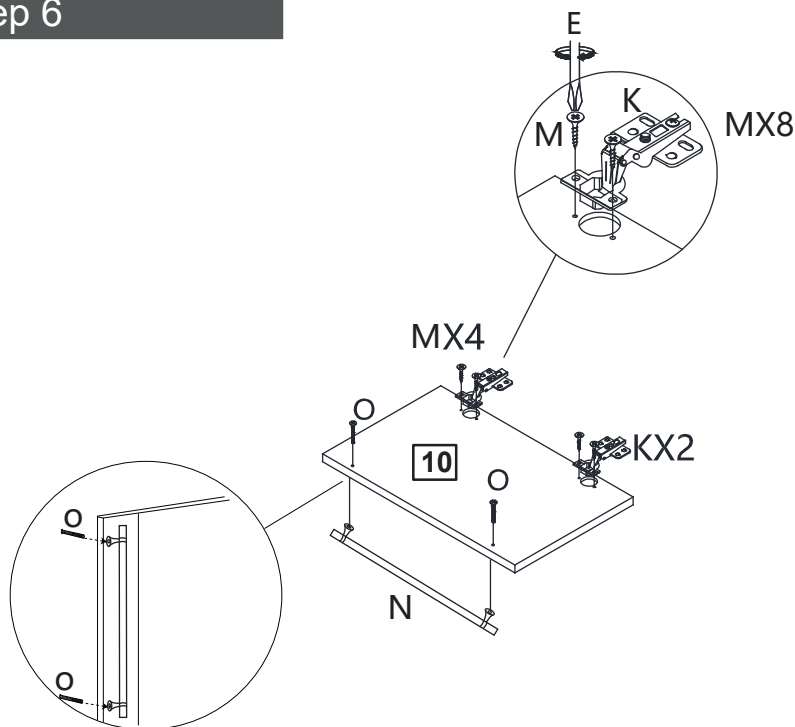
# ASSEMBLY INSTRUCTION

ITEM:WF317097

## Step 5



## Step 6

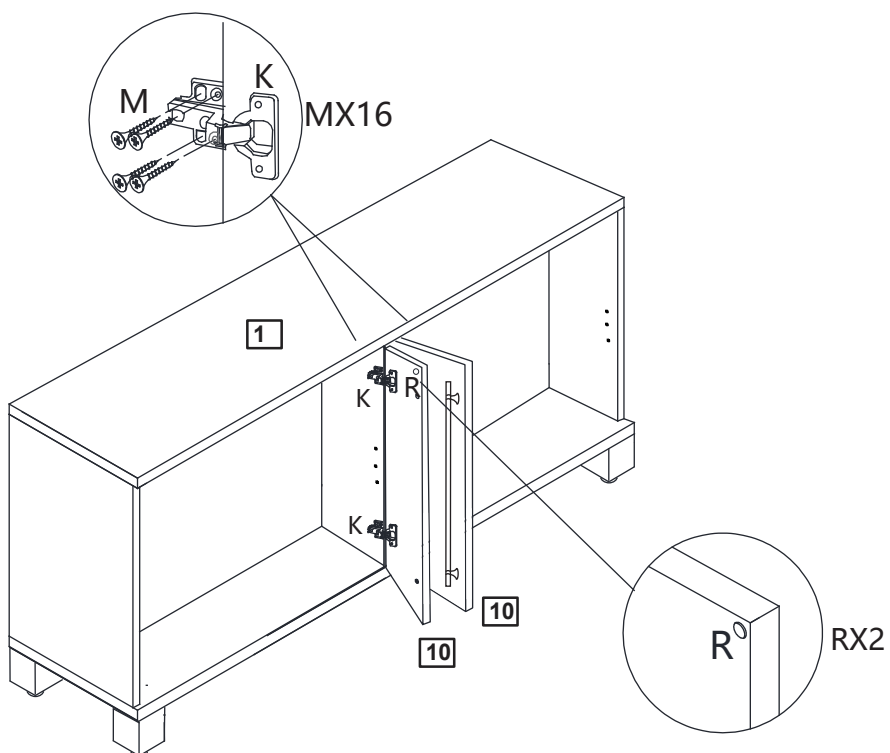


x2

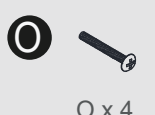
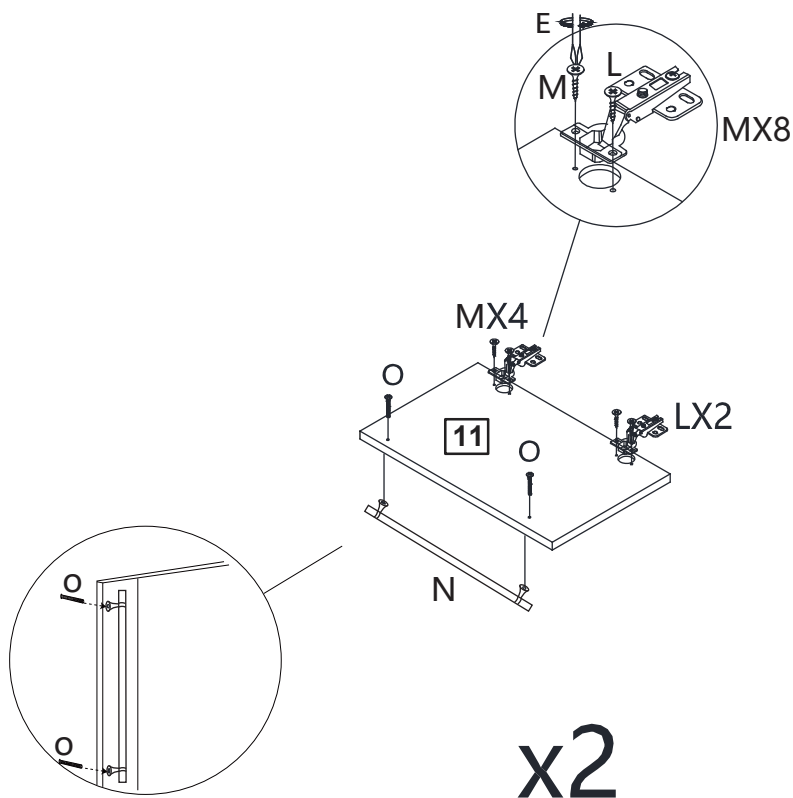
# ASSEMBLY INSTRUCTION

## ITEM:WF317097

### Step 7



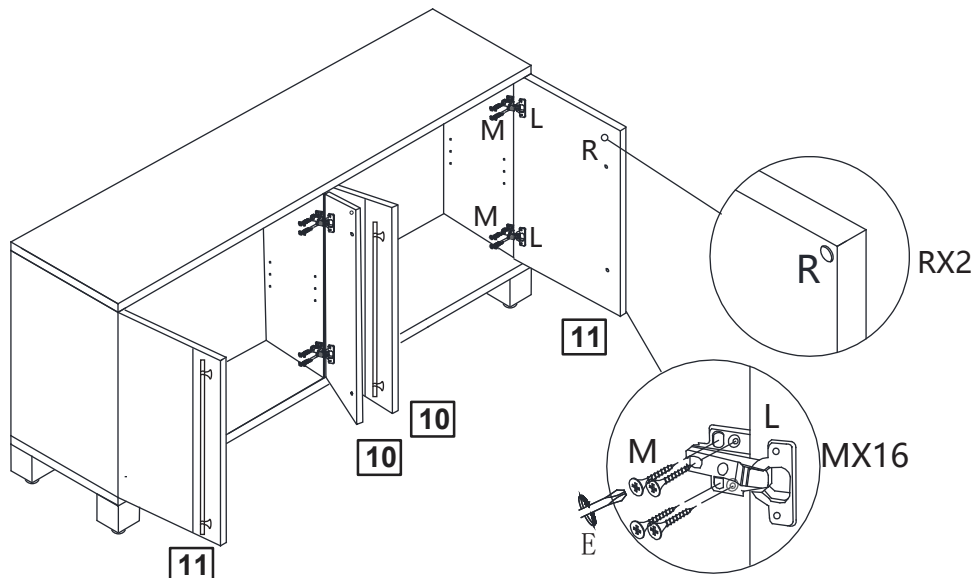
### Step 8



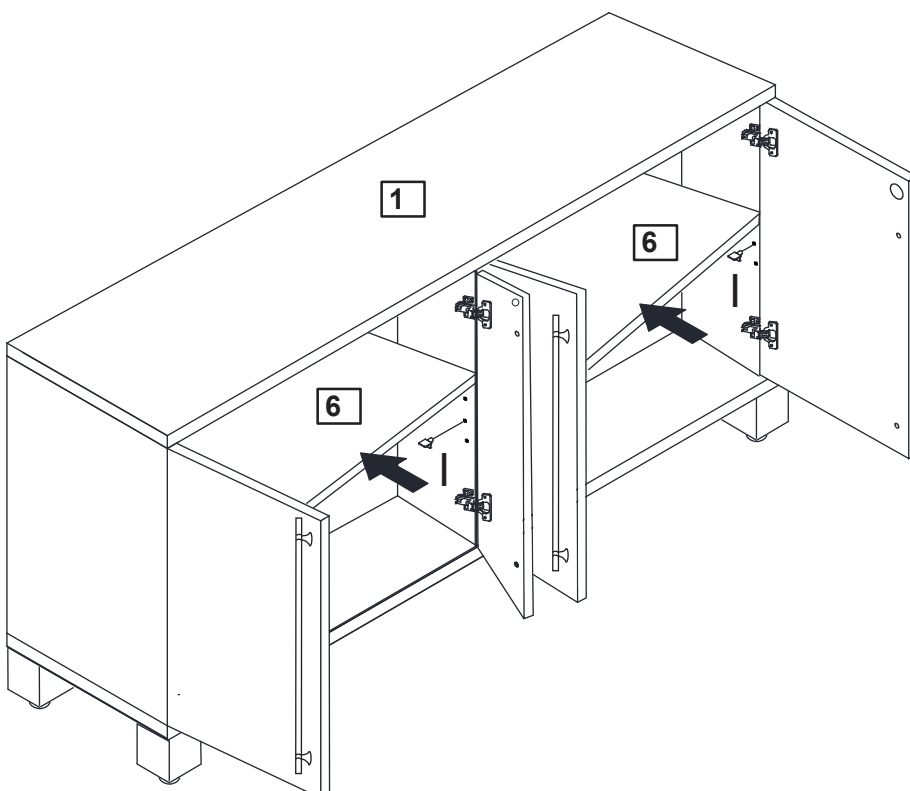
# ASSEMBLY INSTRUCTION

## ITEM:WF317097

### Step 9



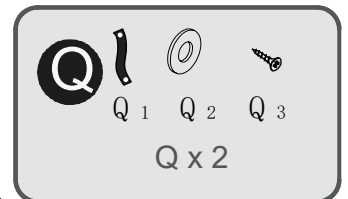
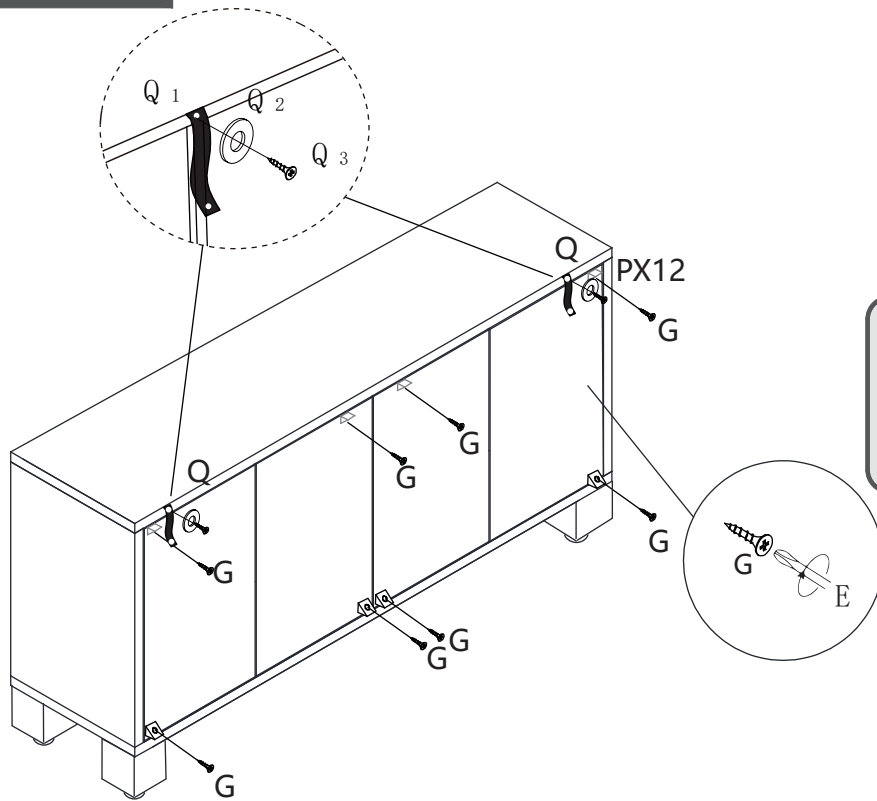
### Step 10



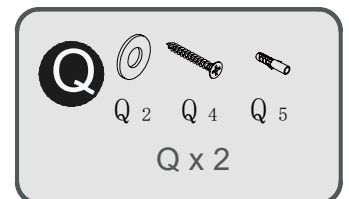
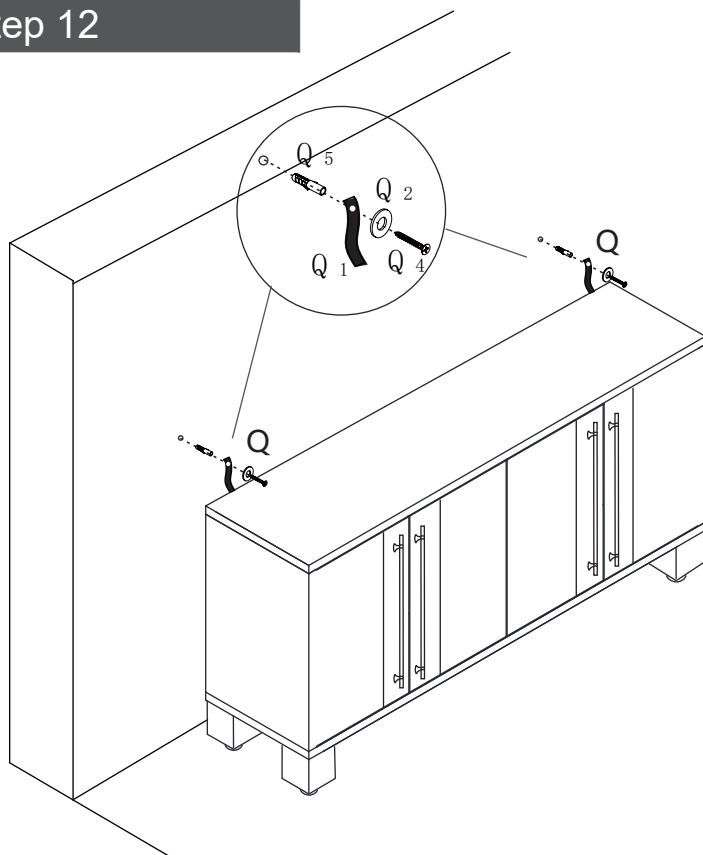
# ASSEMBLY INSTRUCTION

## ITEM:WF317097

### Step 11



### Step 12



Assembly is complete.

# ASSEMBLY INSTRUCTION

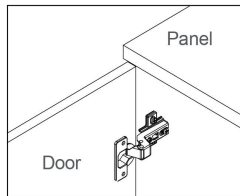
## ITEM:WF317097

### Assembly Steps(EN) / Montageschritte(DE)

HOW TO ADJUST THE HINGES TO ALIGN THE DOORS IF NEEDED.

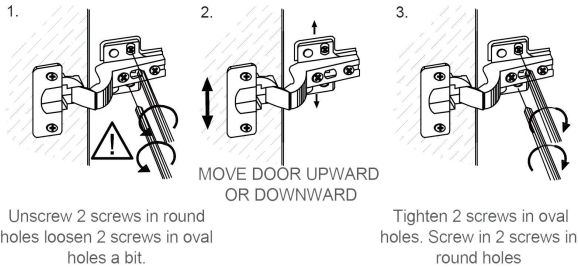
#### STEP 1

Open the door.



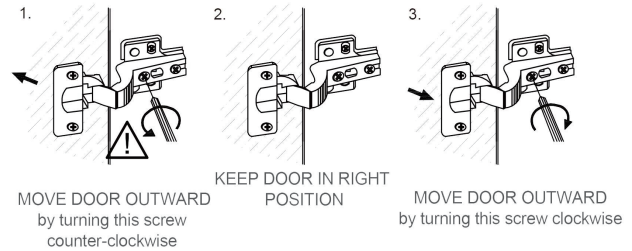
#### STEP 2

Adjust the door panels upward or downward



#### STEP 3

Adjust the flush between door panel and side panel



#### STEP 4

Adjust the Gap between door panel and side panel

